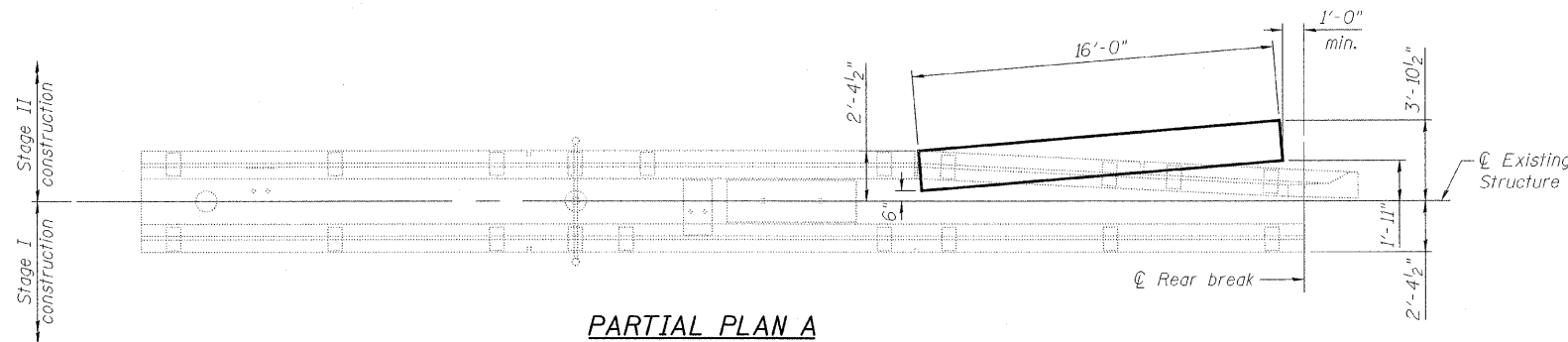
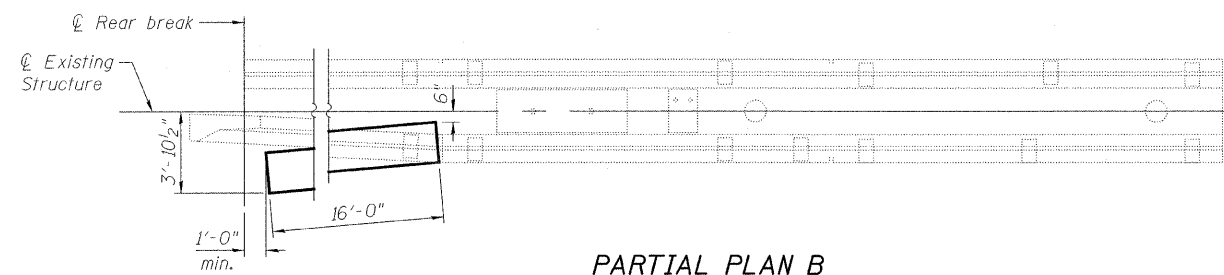


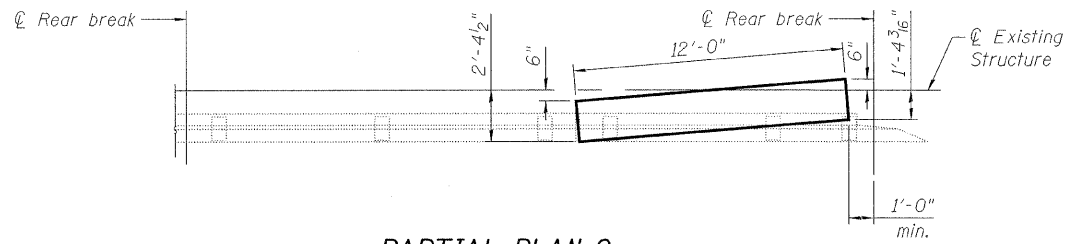
STATE OF ILLINOIS
DEPARTMENT OF TRANSPORTATION



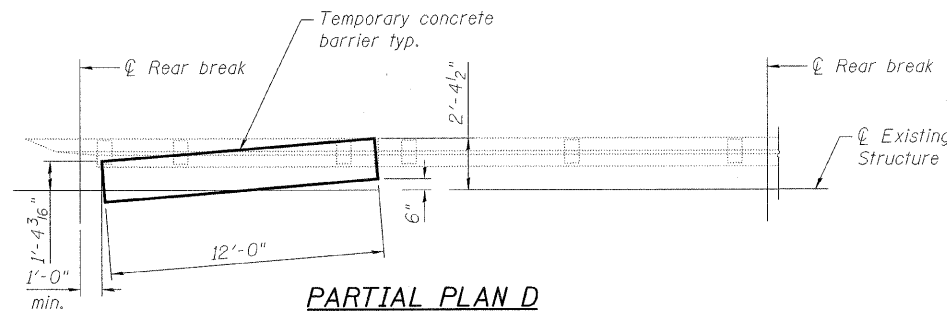
PARTIAL PLAN A



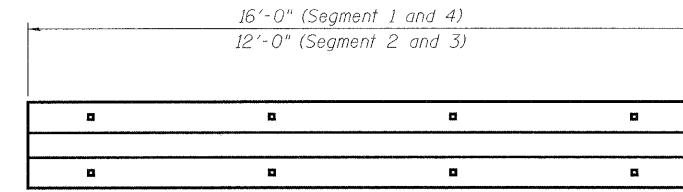
PARTIAL PLAN B



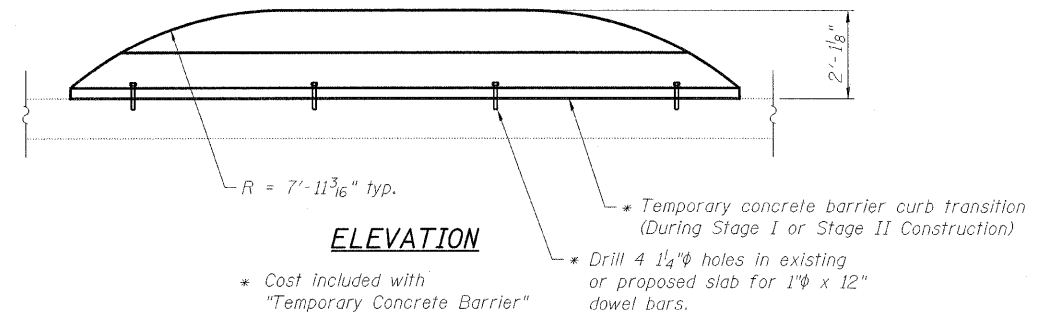
PARTIAL PLAN C



PARTIAL PLAN D

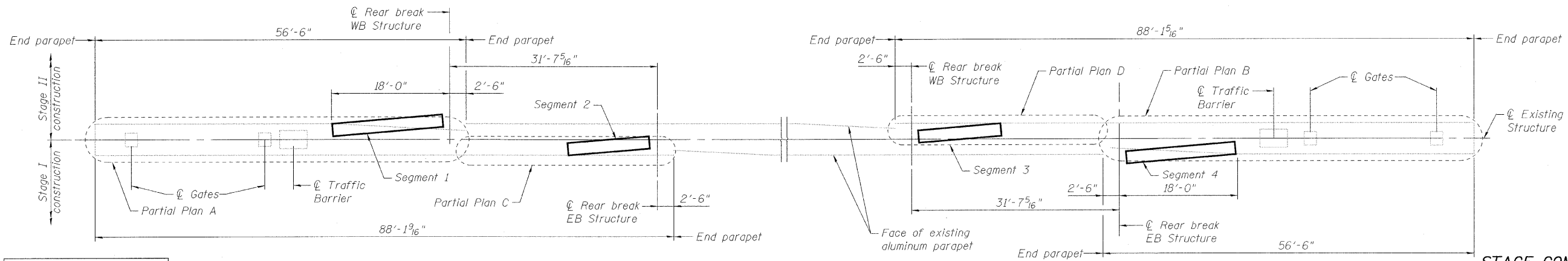


PLAN



ELEVATION

Notes:
The aluminum median parapet at Segments 1 and 3 will be temporarily removed during Stage I Construction and reinstalled at the completion of Stage I Construction. The cost of the temporary removal and reinstallation is included in the cost of Remove and Reinstall Existing Aluminum Parapet.
The aluminum median parapet at Segments 2 and 4 will be temporarily removed during Stage II Construction and reinstalled at the completion of Stage II Construction. The cost of the temporary removal and reinstallation is included in the cost of Remove and Reinstall Existing Aluminum Parapet.



KEY PLAN

STAGE CONSTRUCTION DETAILS
STRUCTURE NO. 016-2445

DESIGNED	A. HAMMAD
CHECKED	J. GRAINAWI
DRAWN	D. C. PATEL
CHECKED	A. HAMMAD

PB Americas, Inc.
230 WEST MONROE STREET,
SUITE 900
CHICAGO, IL. 60606

SHEET NO. 8a 163 SHEETS	F.A.P RTE.	SECTION	COUNTY	TOTAL SHEETS	SHEET NO.
	389	2424.2B-R	COOK	398	89a
FED. ROAD DIST. NO. 7 ILLINOIS			FED. AID PROJECT		
CONTRACT NO. 60D61					