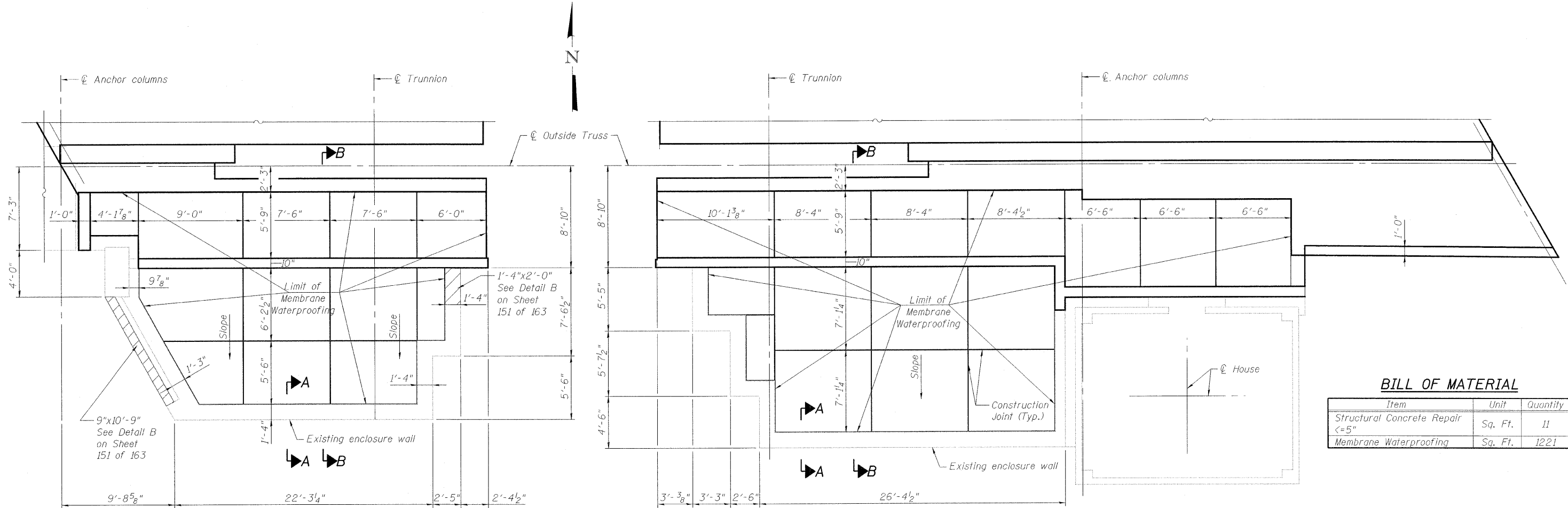


STATE OF ILLINOIS  
DEPARTMENT OF TRANSPORTATION



**BILL OF MATERIAL**

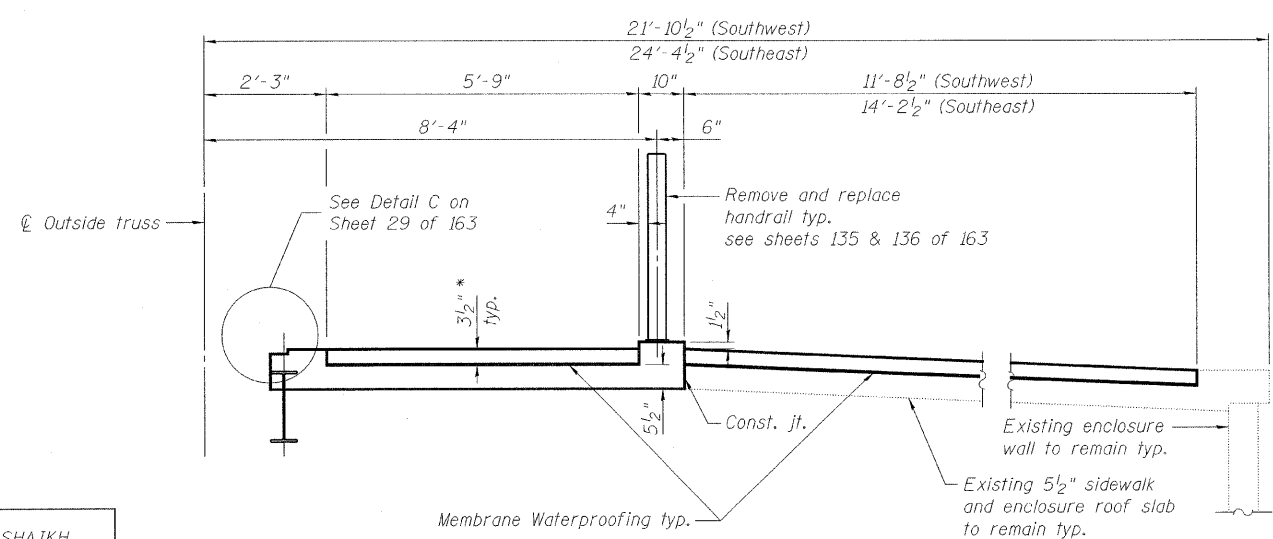
Item	Unit	Quantity
Structural Concrete Repair <=5"	Sq. Ft.	11
Membrane Waterproofing	Sq. Ft.	1221

**LEGEND**

Spalled Concrete (11 S.F.)

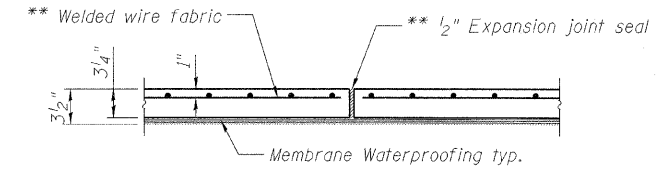
**SOUTHWEST PLAN**

**SOUTHEAST PLAN**

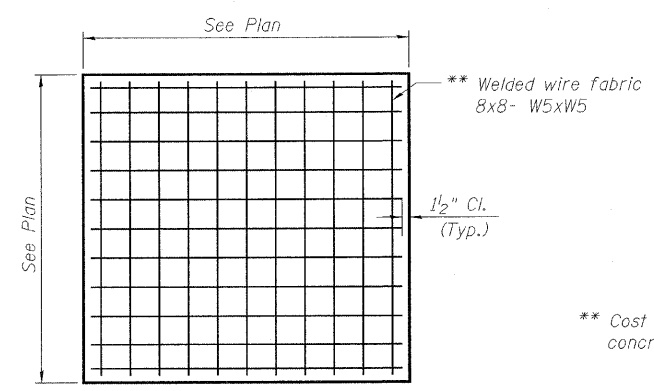


**SECTION B-B**

\* Concrete quantity is included in the concrete superstructure

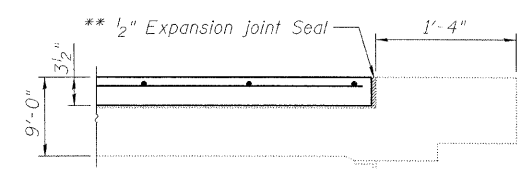


**TYPICAL SECTION THRU CONSTRUCTION JOINT**



**TYPICAL REINFORCING DETAIL**

\*\* Cost included in the cost of concrete superstructure



**SECTION A-A**

**SIDEWALK PLAN  
FIXED SPANS (EB)  
STRUCTURE NO. 016-2445**

DESIGNED	M. SHAIKH
CHECKED	J. GRAINAWI
DRAWN	D. C. PATEL
CHECKED	A. HAMMAD

**PB Americas, Inc.**  
230 WEST MONROE STREET,  
SUITE 900  
CHICAGO, IL. 60606

SHEET NO. 27 163 SHEETS	F.A.P RTE.	SECTION	COUNTY	TOTAL SHEETS	SHEET NO.
	389	2424.2B-R	COOK	398	108
			CONTRACT NO.	60D61	
FED. ROAD DIST. NO. 7 ILLINOIS FED. AID PROJECT					

T:\16843A\Structural\Cadd\Pre-final\EB\_Plans\0162445-60D61-SUP-026.dgn  
07-MAY-2009