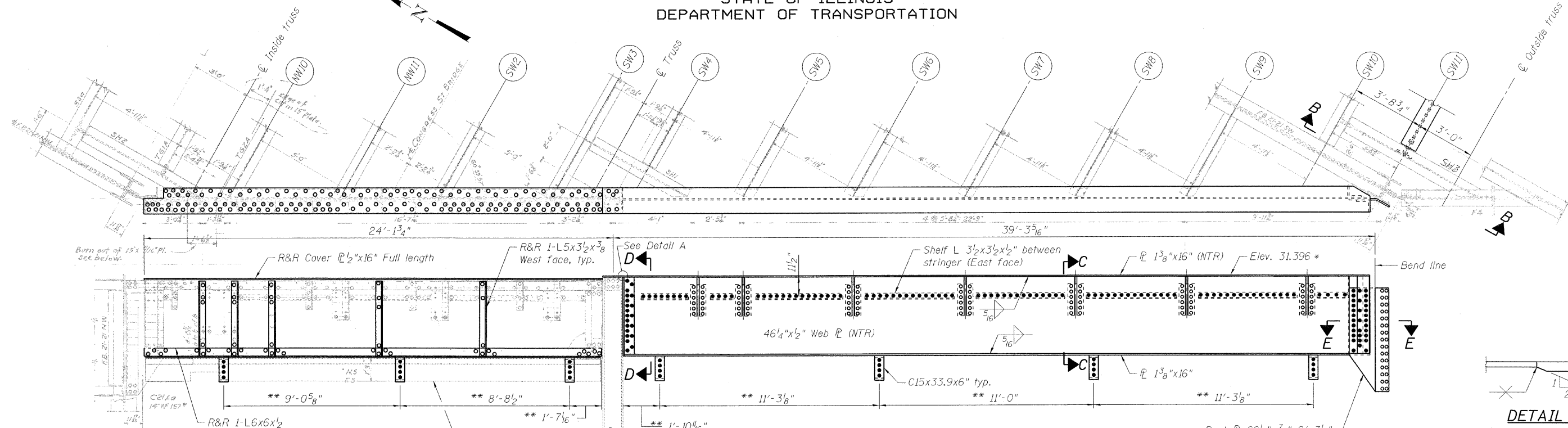


STATE OF ILLINOIS  
DEPARTMENT OF TRANSPORTATION

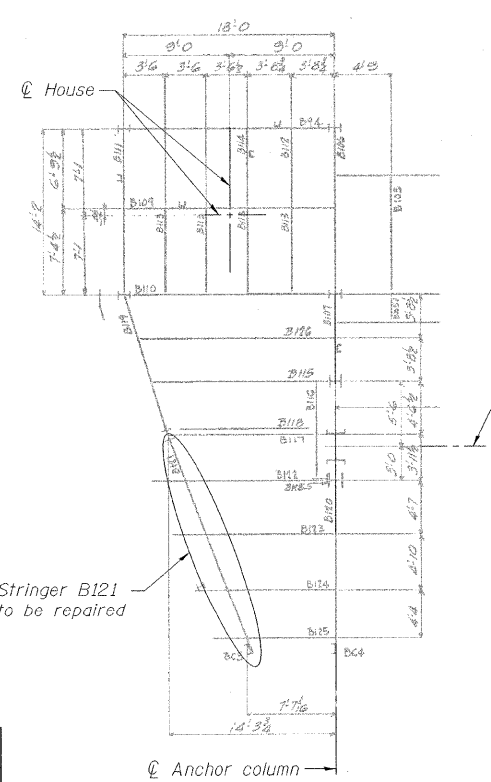


**GIRDER G5**  
(Looking East)

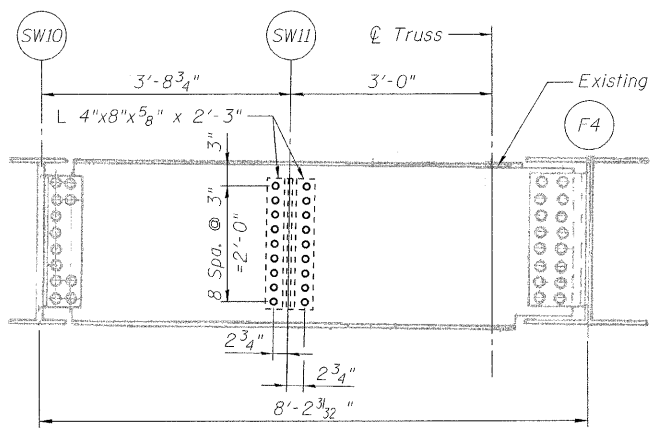
**GIRDER G6**  
(Looking East)

\*\* Contractor shall verify dimension in the field prior to fabrication & ordering of material.

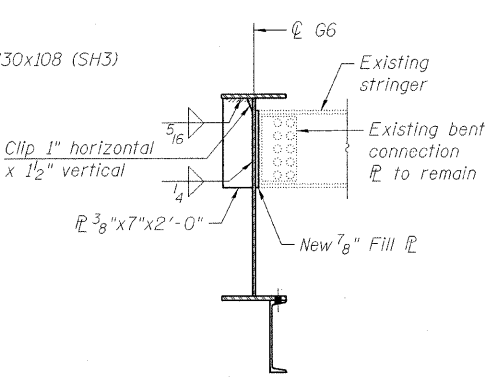
**DETAIL A**



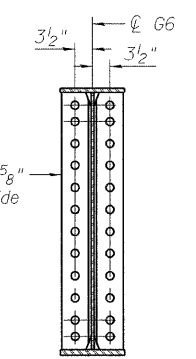
**PARTIAL MEZZANINE FLOOR PLAN NORTHWEST**



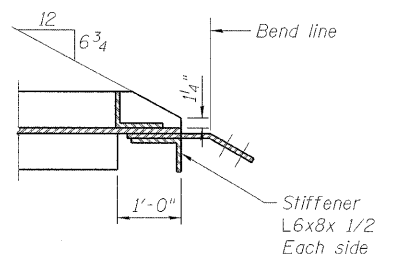
**SECTION B-B**



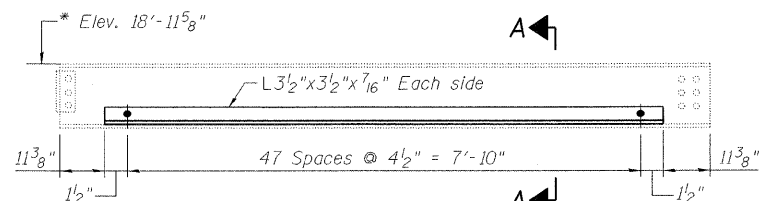
**SECTION C-C**



**SECTION D-D**

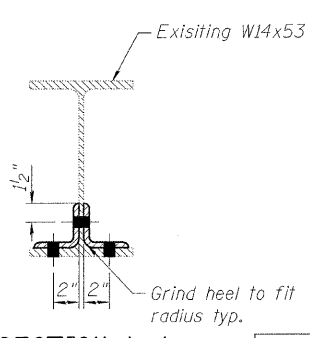


**SECTION E-E**



**STRINGER B121**

Note:  
Drill 13/16" φ holes in angles. Field drill 13/16" φ holes in the web and bottom flange using holes in the angles as templates. Use 3/4" φ H.S. bolts. Cost included with Structural Steel Repair.



**SECTION A-A**

**LEGEND**

- R&R Remove and Replace
- Existing fastener to remain
- Hole to match existing location
- New hole
- Existing member to remain
- New member

Notes:  
Portions of this drawing are extracted from original drawings for this bridge. Details shown are provided to illustrate the work to be performed.  
Load carrying components designated "NTR" shall conform to the supplemental requirements for Notch Toughness, Zone 2.  
Girder/stringers shall be temporarily supported during the repair/replacement of girders G5 and G6. Cost included in the cost Structural Steel Repair and Furnishing & Erecting Structural Steel.  
Repair of stringer B121 and G5 is included in the pay item Structural Steel Repair.  
Girder G6 is included in the pay item of Furnishing & Erecting Structural Steel.

**FRAMING DETAILS  
FIXED SPANS  
STRUCTURE NO. 016-2445**

DESIGNED	A. HAMMAD
CHECKED	J. GRAINAWI
DRAWN	D. C. PATEL
CHECKED	A. HAMMAD

SHEET NO. 42	F.A.P R.T.E.	SECTION	COUNTY	TOTAL SHEETS	SHEET NO.
	389	2424.2B-R	COOK	398	123
163 SHEETS	CONTRACT NO. 60D61		FED. ROAD DIST. NO. 7 ILLINOIS FED. AID PROJECT		

**PB Americas, Inc.**  
230 WEST MONROE STREET,  
SUITE 900  
CHICAGO, IL. 60606