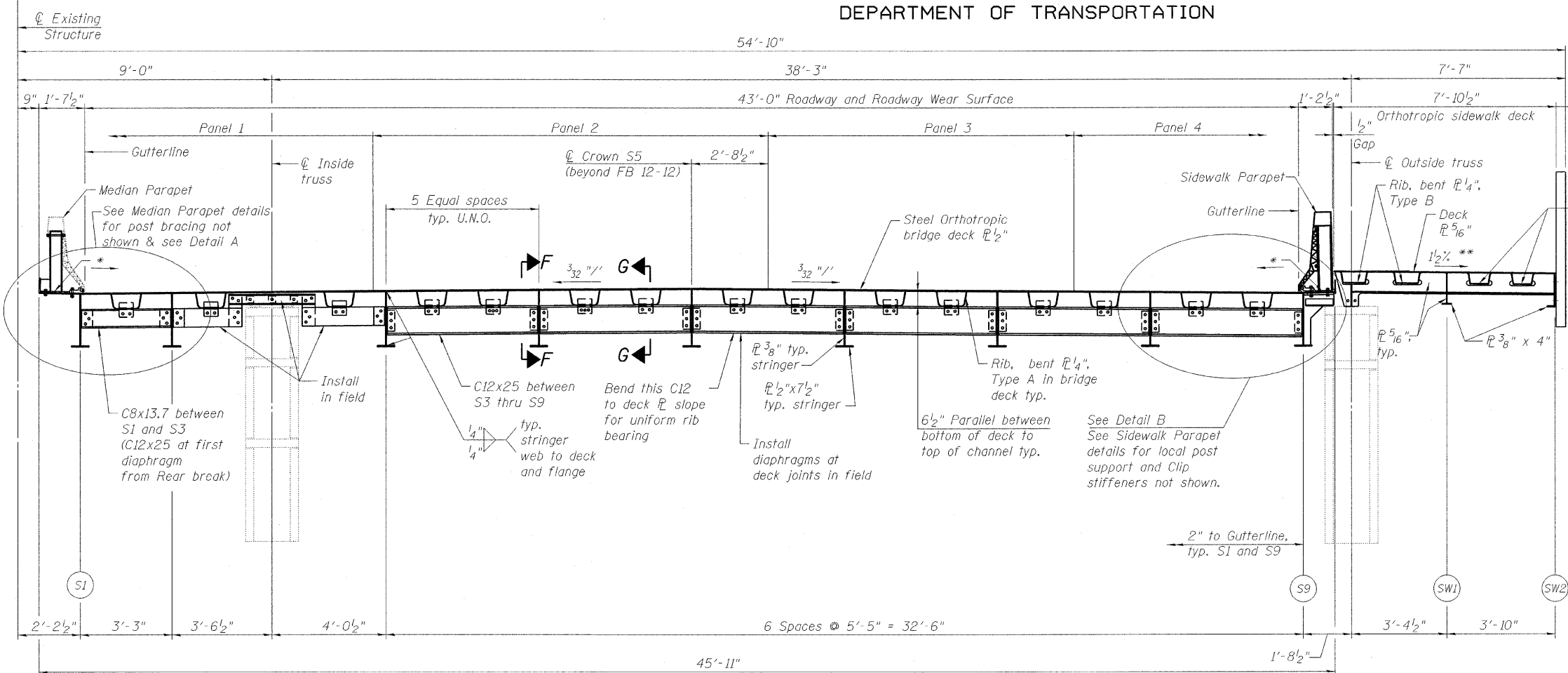


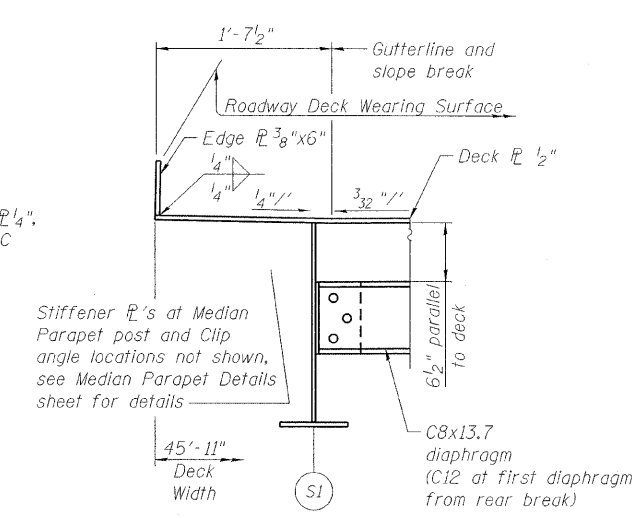
STATE OF ILLINOIS
DEPARTMENT OF TRANSPORTATION



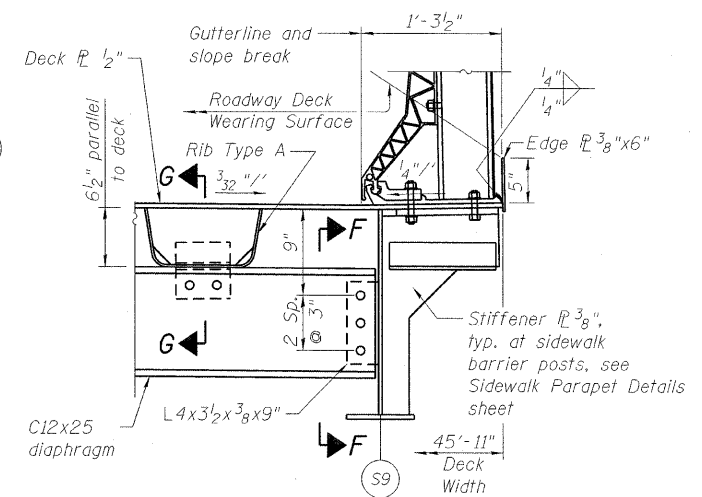
SECTION A-A

* 1/4" slope between edge of deck to face of barrier

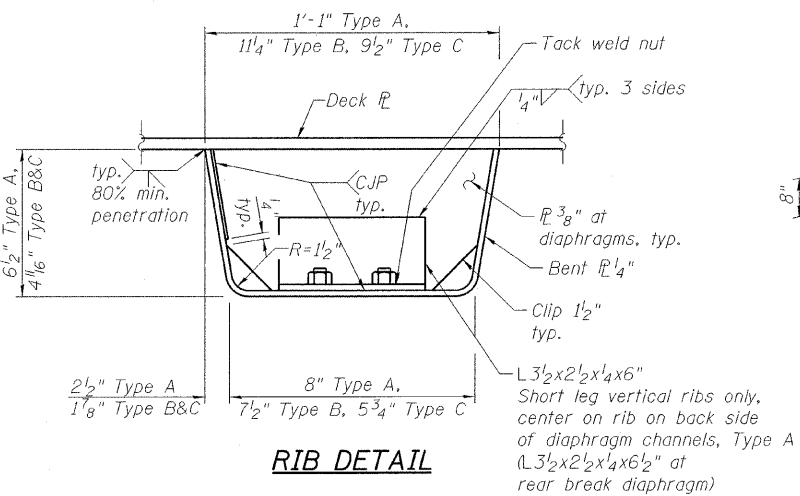
** Varies between Rear break and FB 12-12



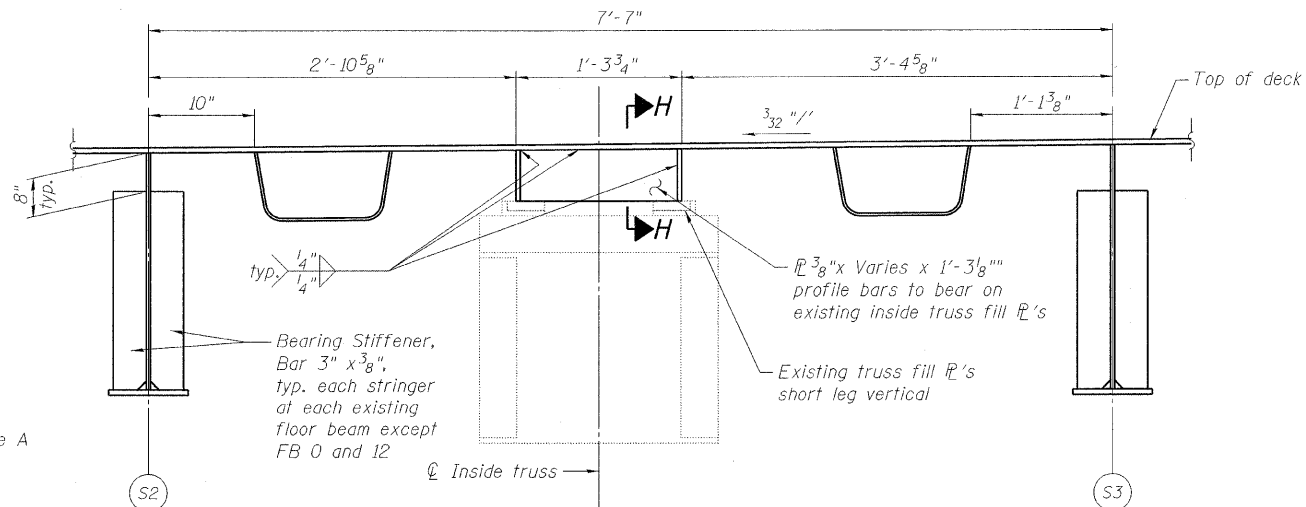
DETAIL A



DETAIL B

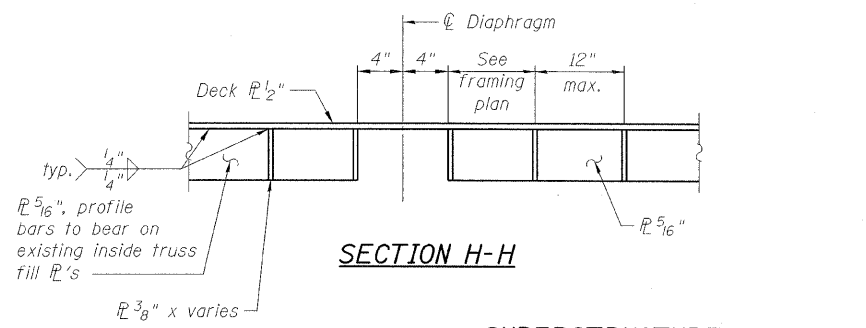


RIB DETAIL



SECTION B-B

(See Deck Framing Plan for location)



SECTION H-H

DESIGNED	P. PILARSKI
CHECKED	J. GRAINAWI
DRAWN	D. C. PATEL
CHECKED	A. HAMMAD

- Field Construction Sequence (Variations as approved by Engineer):
1. Erect adjacent deck panels and bolt snug-tight per Detail D on Sheet 53 of 163.
 2. Make deck weld.
 3. Repeat steps 1 and 2 for all panels in order of Deck Panel number.
 4. Tighten bolts to floor beams to obtain slip critical connection.
 5. Install Rear and Center breaks - See corresponding sheets.

Notes:
See Detail D on sheet 53 of 163 for stringer S1 thru S9 connection of existing Floor Beams
See sheet 53 of 163 for Sections F-F and G-G
Roadway Deck Ribs, Roadway Stringer webs and flanges shall conform to the supplemental requirements for Notch Toughness, Zone 2.

PB Americas, Inc.
230 WEST MONROE STREET,
SUITE 900
CHICAGO, IL. 60606

SHEET NO. 48	F.A.P RTE.	SECTION	COUNTY	TOTAL SHEETS	SHEET NO.
	389	2424.2B-R	COOK	398	129
163 SHEETS			CONTRACT NO. 60D61		
FED. ROAD DIST. NO. 7 ILLINOIS FED. AID PROJECT					

T:\16845\Structural\Cadd\Pre-final\EB_Plans\0162445-60D61-SUP-045.dgn 07-MAY-2009