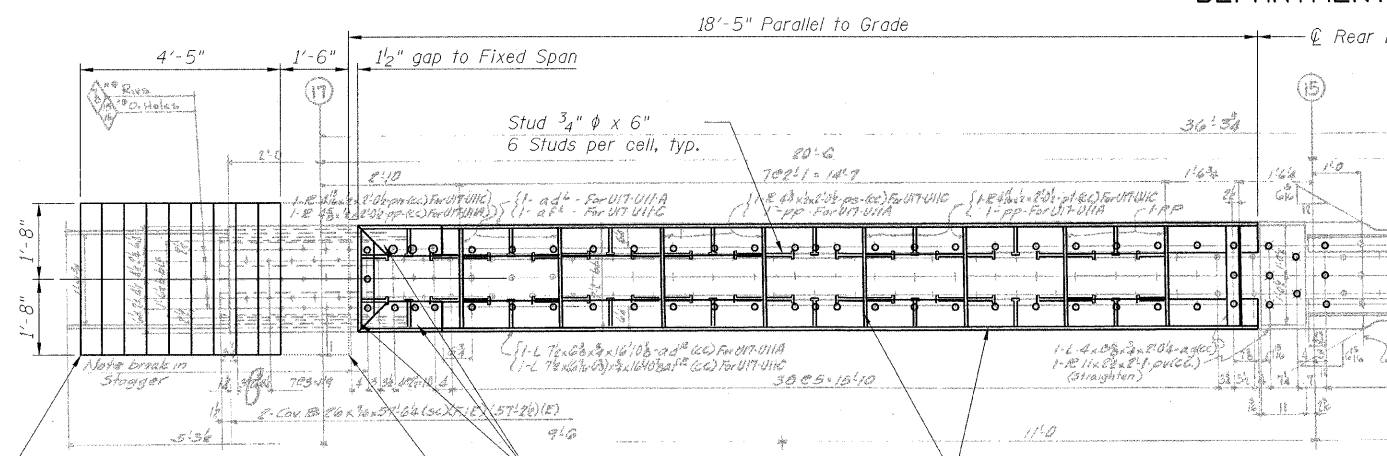
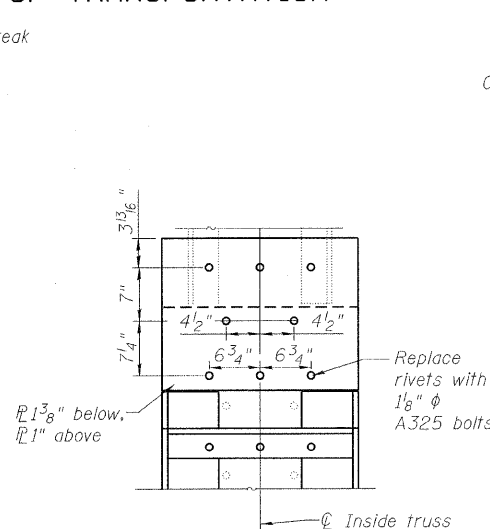


STATE OF ILLINOIS  
DEPARTMENT OF TRANSPORTATION

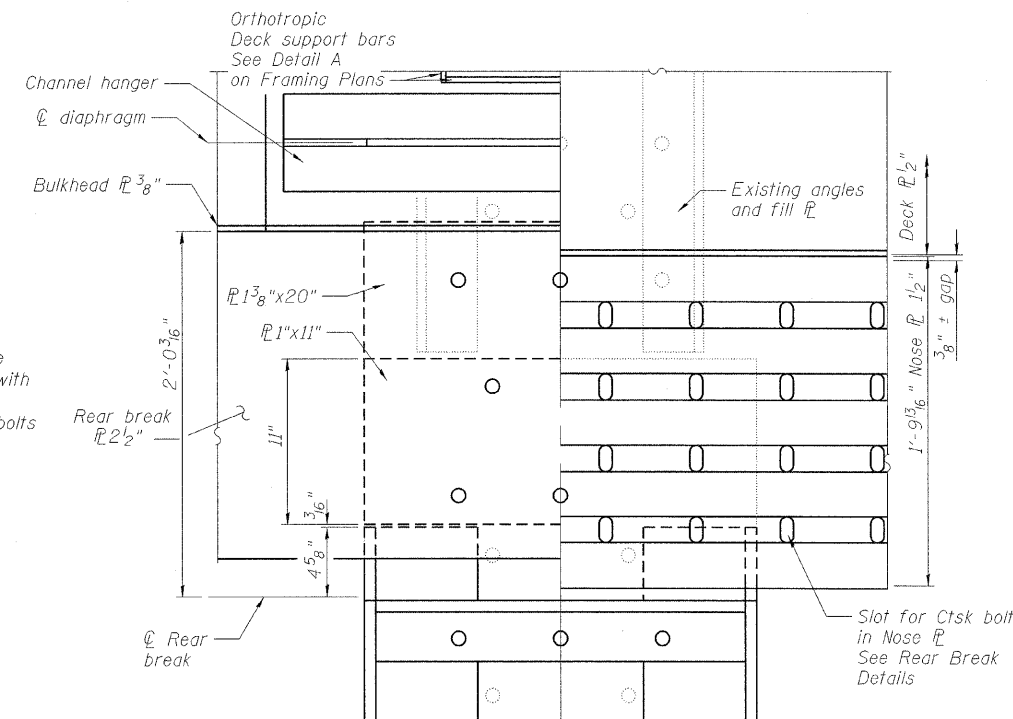


PLAN

Southwest Inside Truss Shown,  
Others Similar

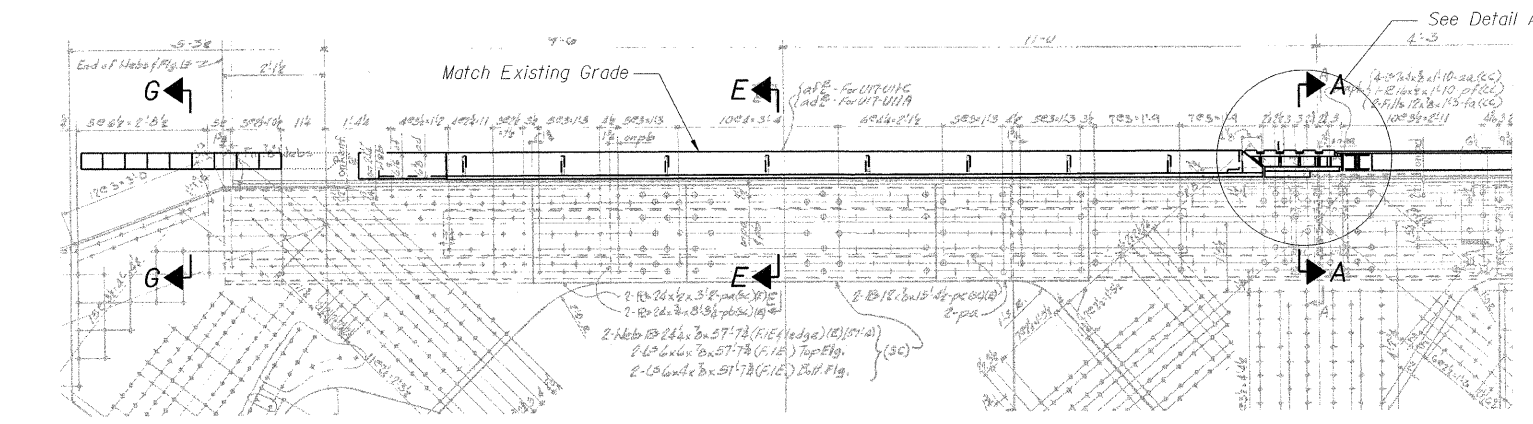


SECTION F-F



SECTION C-C

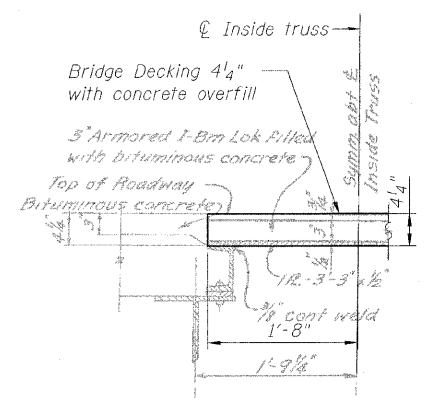
VIEW B-B



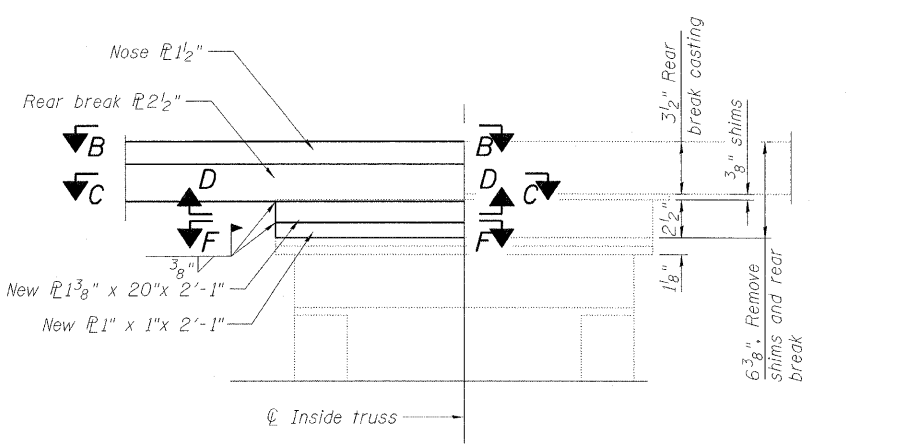
ELEVATION

INSIDE TRUSS DETAIL SOUTHWEST LEAF

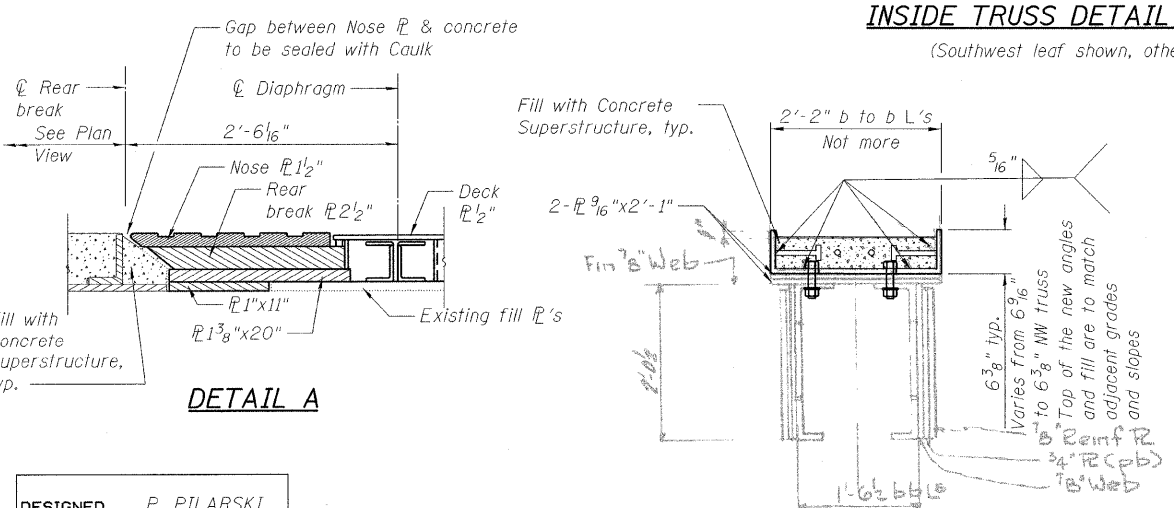
(Southwest leaf shown, other leaves similar)



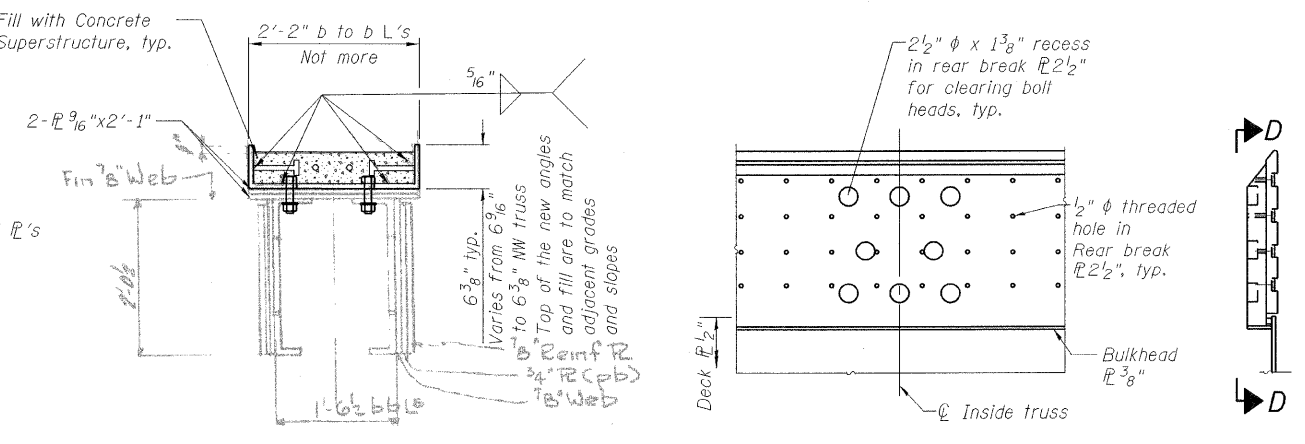
SECTION G-G



SECTION A-A

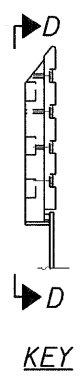


DETAIL A



SECTION E-E

SECTION D-D



KEY

LEGEND

- Existing fastener to remain
- Hole to match existing location
- New hole
- Existing member to remain
- New member

BILL OF MATERIAL

Item	Unit	Quantity
Bridge Decking over Rear Arm, 4 1/4"	Sq. Ft.	60

SUPERSTRUCTURE  
MOVABLE SPAN  
STRUCTURE NO. 016-2445

DESIGNED	P. PILARSKI
CHECKED	J. GRAINAWI
DRAWN	D. C. PATEL
CHECKED	A. HAMMAD

Note:  
Payment for work items shown in Plan, Elevation, and Section E-E included as part of Item "Structural Steel Repair".

**PB Americas, Inc.**  
230 WEST MONROE STREET,  
SUITE 900  
CHICAGO, IL. 60606

SHEET NO. 56	F.A.P R.T.E.	SECTION	COUNTY	TOTAL SHEETS	SHEET NO.
	389	2424.2B-R	COOK	398	137
163 SHEETS			CONTRACT NO. 60D61		
FED. ROAD DIST. NO. 7 ILLINOIS FED. AID PROJECT					

T:\16843A\Structural\Cadd\Pre-final\EB\_Plans\0162445-60D61-SUP-057.dgn 07-MAY-2009