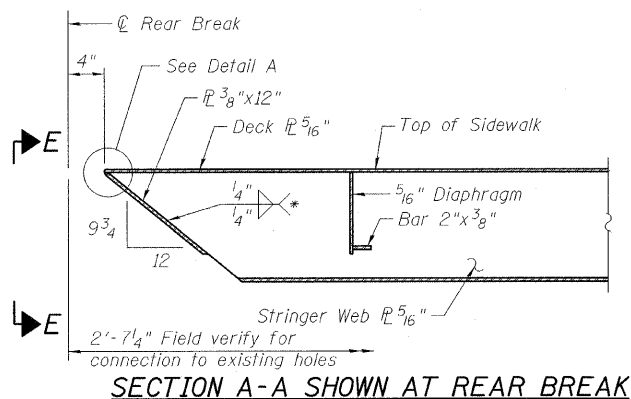
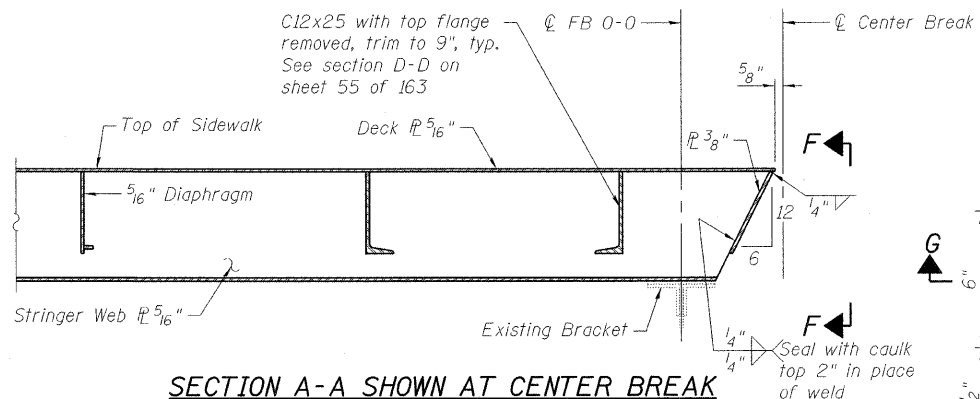


STATE OF ILLINOIS
DEPARTMENT OF TRANSPORTATION

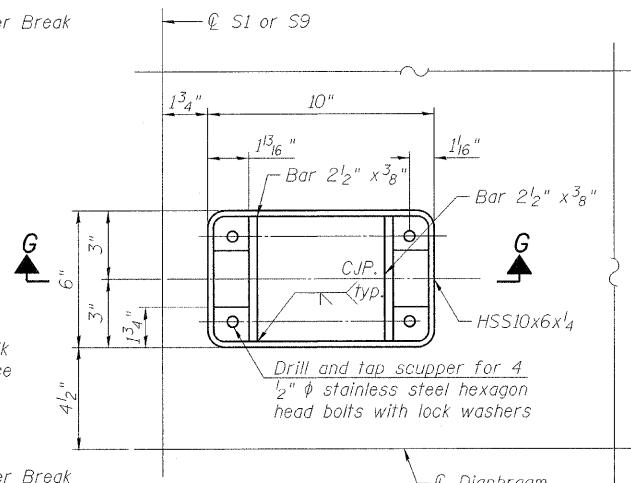


SECTION A-A SHOWN AT REAR BREAK

* See Detail A

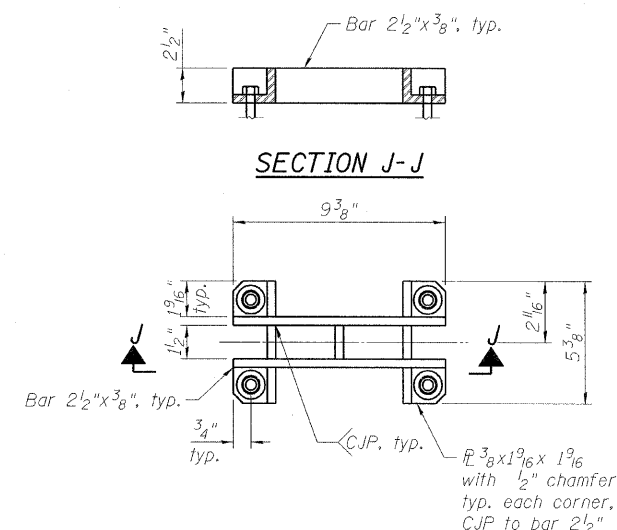


SECTION A-A SHOWN AT CENTER BREAK

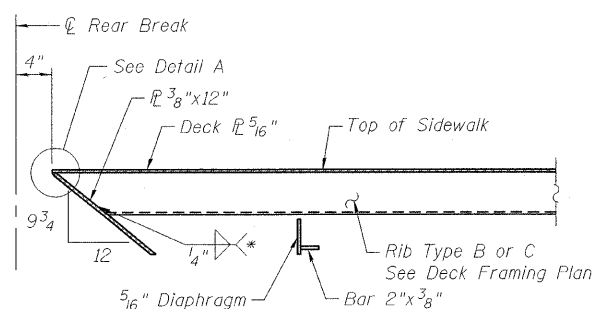


SCUPPER PLAN

Grating not shown - see separate detail.

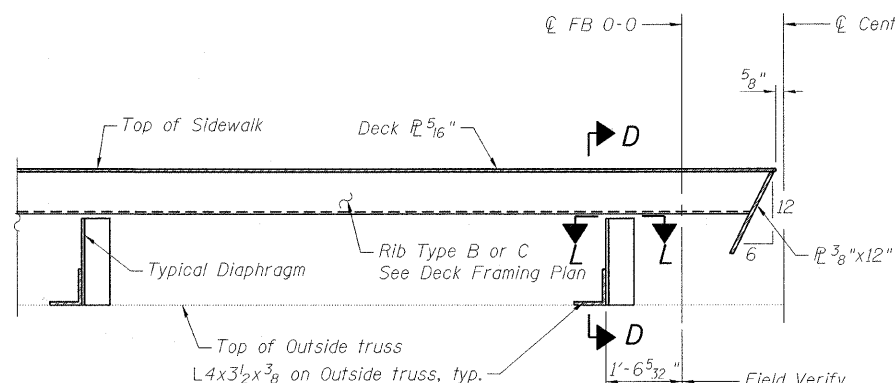


FABRICATED DRAIN GRATE

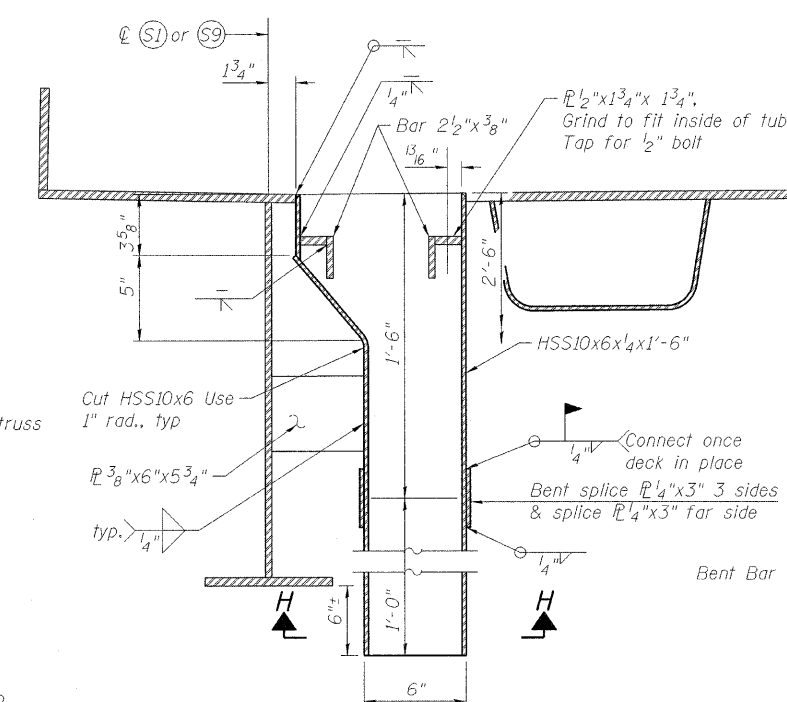


SECTION B-B SHOWN AT REAR BREAK

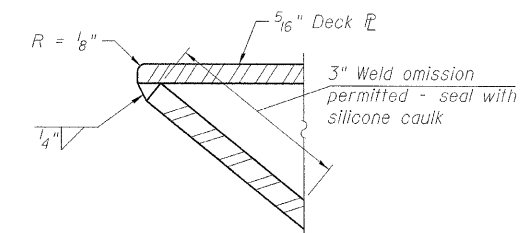
* See Detail A



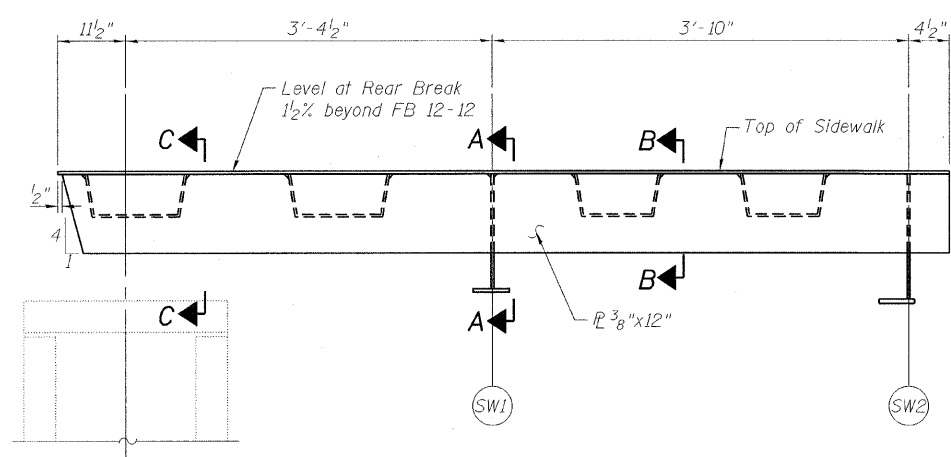
SECTION C-C SHOWN AT CENTER BREAK



SECTION G-G

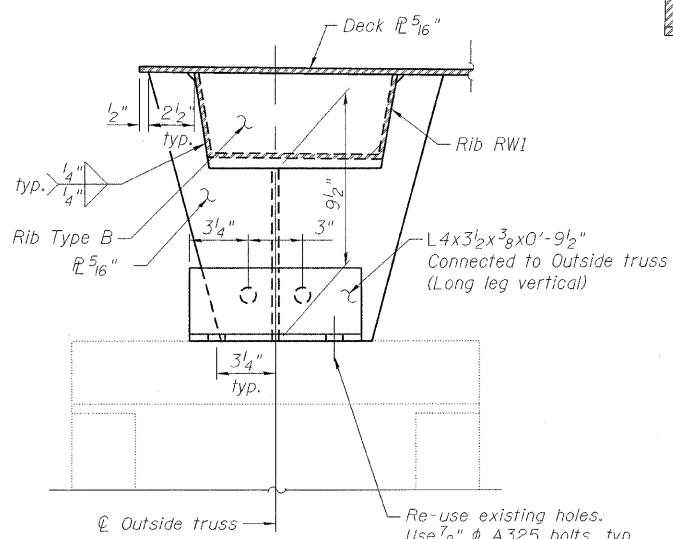


DETAIL A



VIEW E-E

(View F-F opposite hand)



SECTION D-D

ORTHOTROPIC SIDEWALK STRINGERS

DESIGNED	P. PILARSKI
CHECKED	J. GRAINAWI
DRAWN	D. C. PATEL
CHECKED	A. HAMMAD

LEGEND

Existing member to remain
New member

Notes:
See Deck Plans and sheet 1 of 163 for scupper locations.
See sheet 53 of 163 for Section L-L.

PB Americas, Inc.
230 WEST MONROE STREET,
SUITE 900
CHICAGO, IL. 60606

SHEET NO. 60	F.A.P. RTE.	SECTION	COUNTY	TOTAL SHEETS	SHEET NO.
	389	2424.2B-R	COOK	398	141
163 SHEETS	CONTRACT NO. 60D61			FED. ROAD DIST. NO. 7 ILLINOIS FED. AID PROJECT	

REAR BREAK DETAILS
STRUCTURE NO. 016-2445

T:\16843A\Structural\Cadd\Pre-final\EB_Plans\0162445-60D61-SUP-042b.dgn
07-MAY-2009