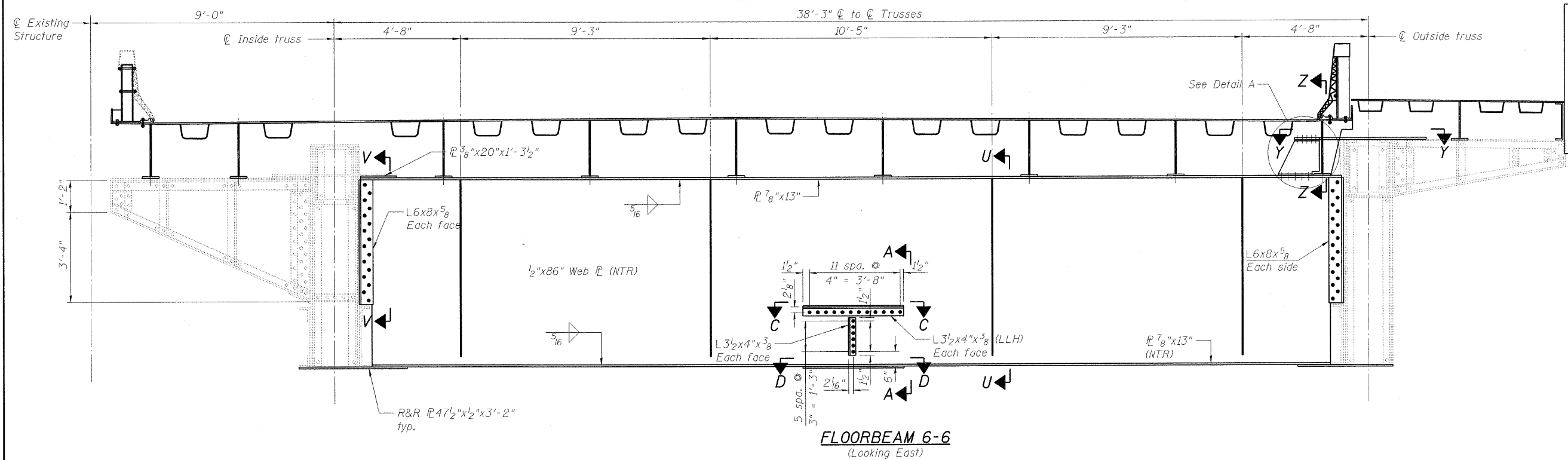
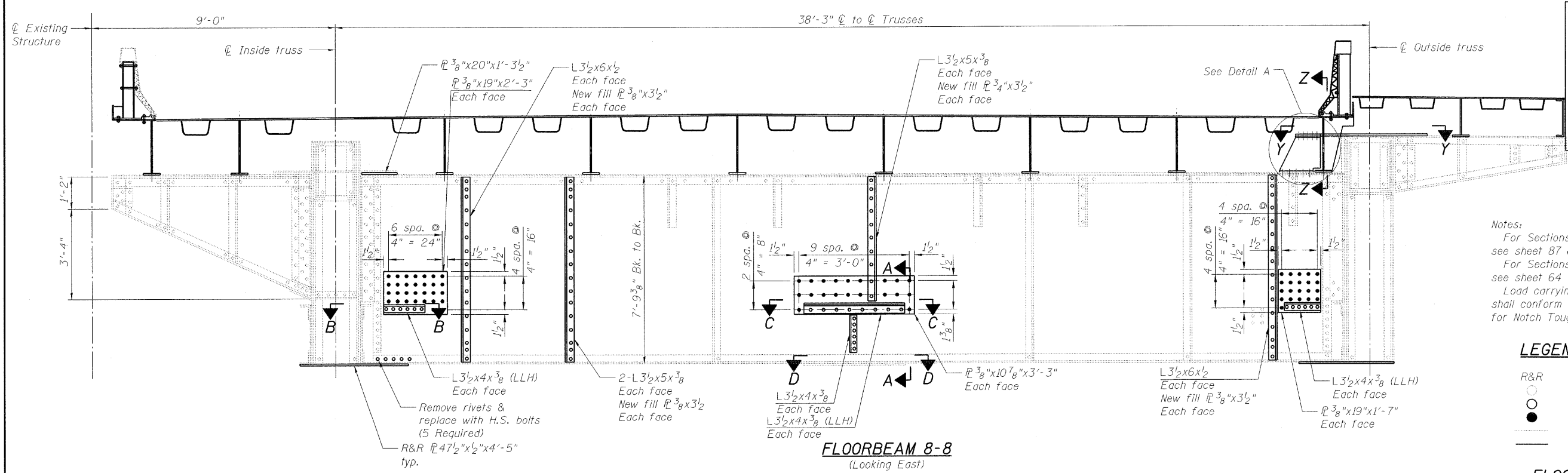
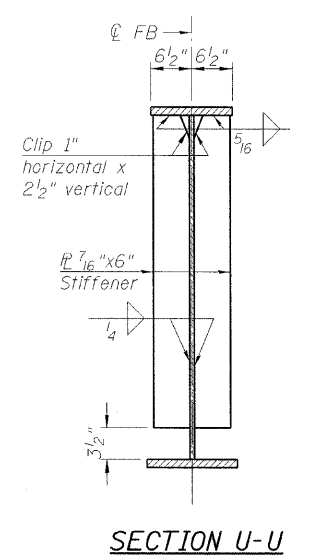


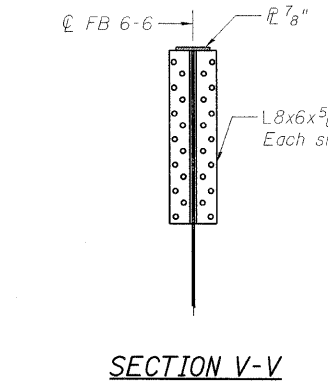
STATE OF ILLINOIS  
DEPARTMENT OF TRANSPORTATION



**FLOORBEAM 6-6**  
(Looking East)



**FLOORBEAM 8-8**  
(Looking East)



Notes:  
For Sections A-A, B-B, C-C and D-D, see sheet 87 of 163.  
For Sections Y-Y, Z-Z and Detail A, see sheet 64 of 163.  
Load carrying components designated "NTR" shall conform to the supplemental requirements for Notch Toughness, Zone 2.

**LEGEND**

R&R	Remove & replace
○	Existing fastener to remain
○	Hole to match existing location
●	New hole
—	Existing member to remain
—	New member

**FLOORBEAM DETAILS**  
**SOUTHEAST LEAF**  
**STRUCTURE NO. 016-2445**

DESIGNED	B. GILHOUSEN
CHECKED	J. GRAINAWI
DRAWN	D. C. PATEL
CHECKED	A. HAMMAD

**PB Americas, Inc.**  
230 WEST MONROE STREET,  
SUITE 900  
CHICAGO, IL. 60606

SHEET NO. 69 163 SHEETS	F.A.P. RTE.	SECTION	COUNTY	TOTAL SHEETS	SHEET NO.
	389	2424.2B-R	COOK	398	150
FED. ROAD DIST. NO. 7 ILLINOIS			FED. AID PROJECT		
			CONTRACT NO. 60D61		

T:\16843A\Structural\Cadd\Pre-final\EB\_Plans\0162445-60D61-FBE-067.dgn  
07-MAY-2009