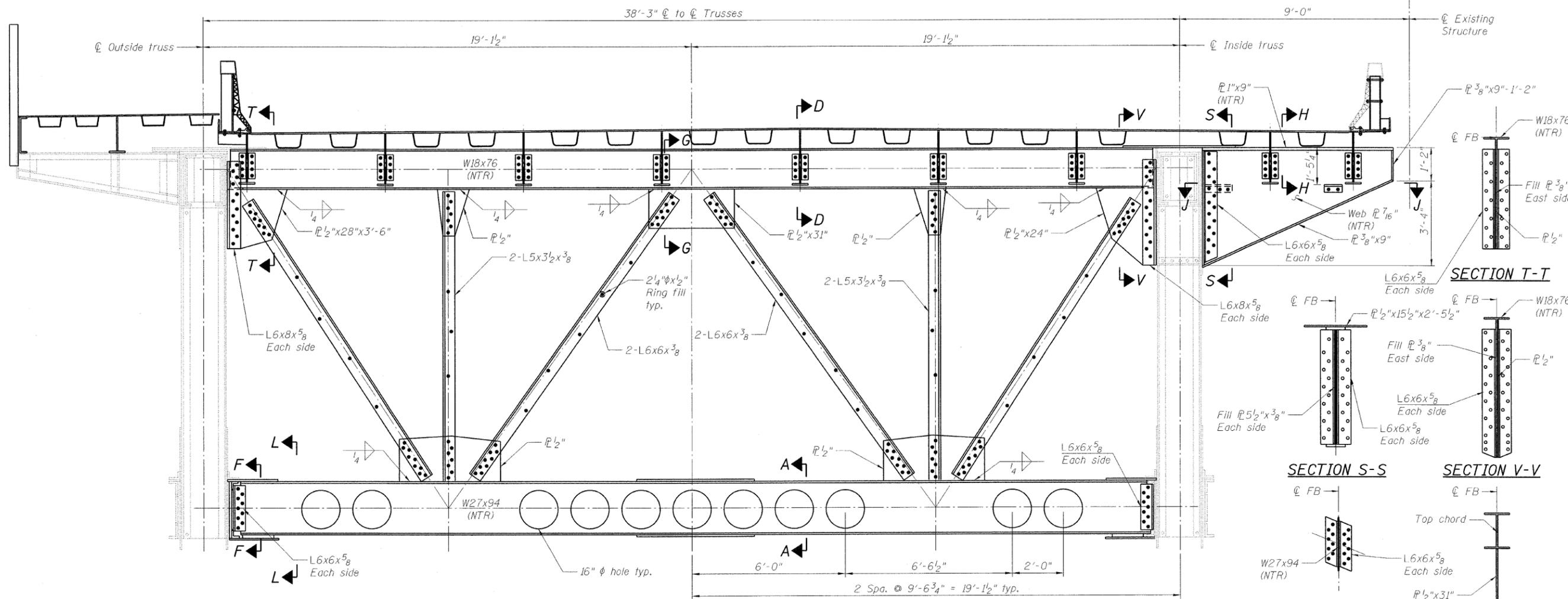
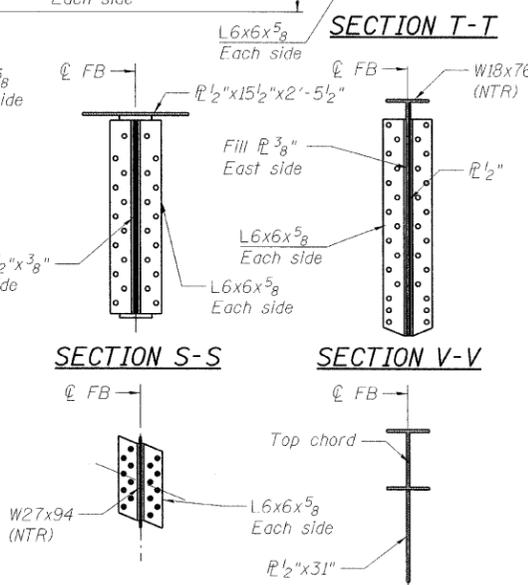


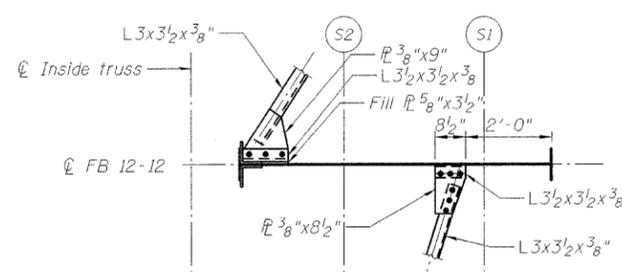
STATE OF ILLINOIS
DEPARTMENT OF TRANSPORTATION



FLOORBEAM 12-12
(Looking West)



SECTION T-T **SECTION S-S** **SECTION V-V**

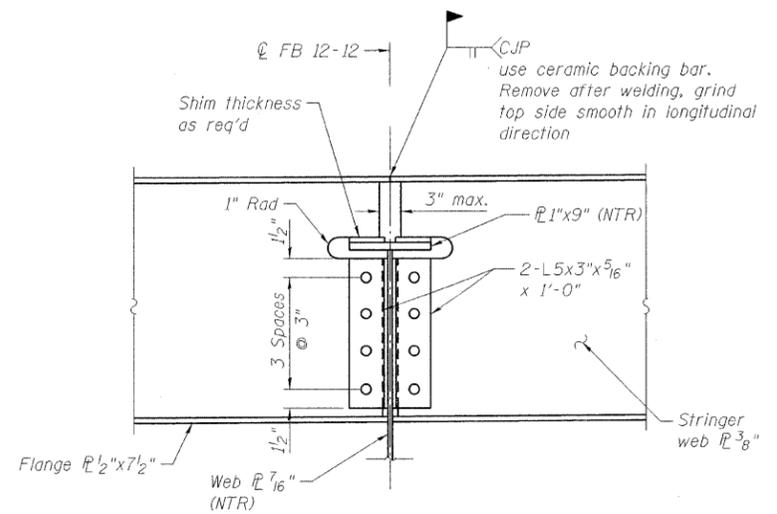


SECTION J-J

Notes:
For Sections A-A and L-L, see sheet 87 of 163.
For Sections D-D, see sheet 53 of 163.
Load carrying components designated "NTR" shall conform to the supplemental requirements for Notch Toughness, Zone 2.

LEGEND
R&R Remove & replace
○ Existing fastener to remain
○ Hole to match existing location
● New hole
— Existing member to remain
— New member

**FLOORBEAM DETAILS
NORTHEAST LEAF
STRUCTURE NO. 016-2445**



SECTION H-H

DESIGNED	D. V. PATEL
CHECKED	J. GRAINAWI
DRAWN	D. C. PATEL
CHECKED	A. HAMMAD

PB Americas, Inc.
230 WEST MONROE STREET,
SUITE 900
CHICAGO, IL. 60606

SHEET NO. 77	F.A.P. RTE. 389	SECTION 2424.2B-R	COUNTY COOK	TOTAL SHEETS 398	SHEET NO. 158
163 SHEETS			CONTRACT NO. 60D61		
FED. ROAD DIST. NO. 7 ILLINOIS FED. AID PROJECT					

T:\16849A\Structural\Cad\Pre-final\EB_Plans\0162445-60D61-077-FBE.dgn
17-JUN-2008 18:10