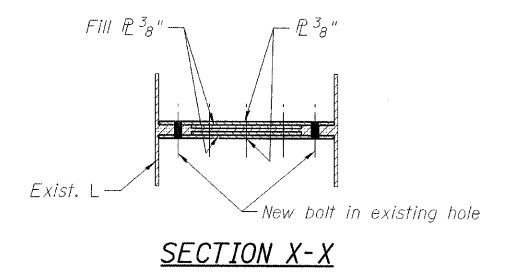
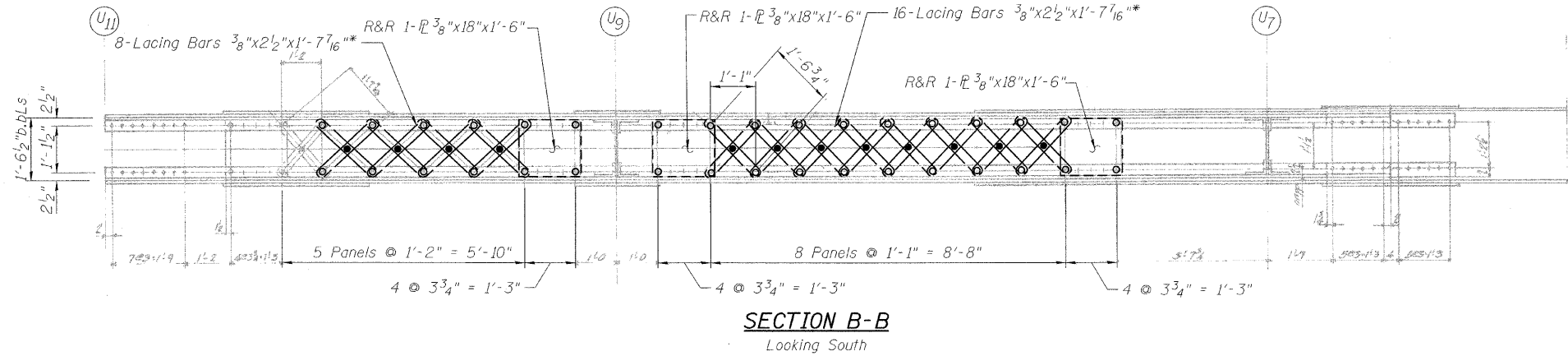
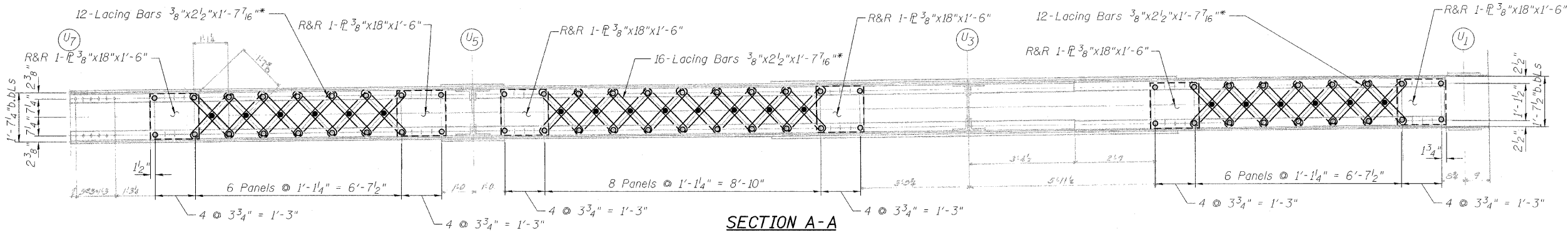
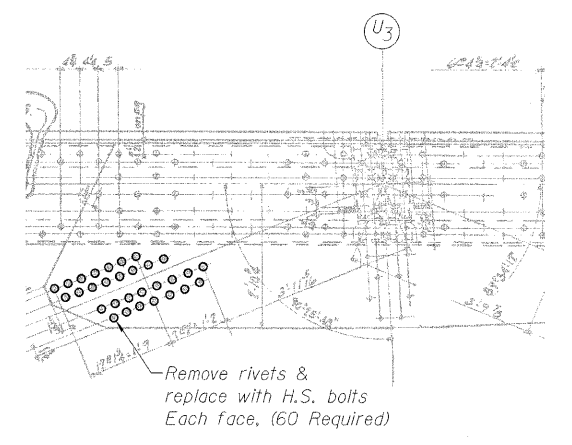
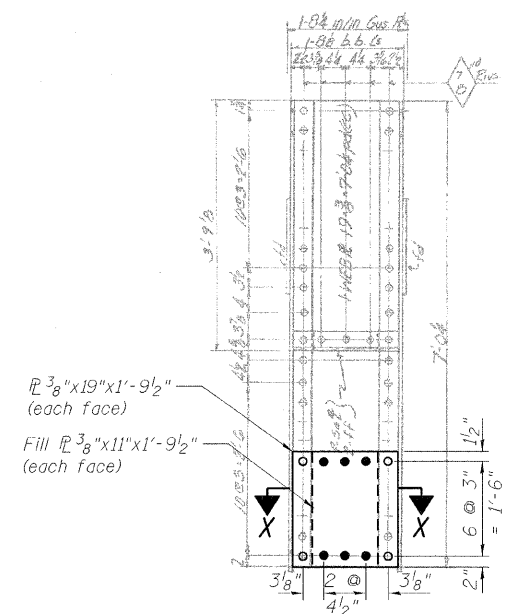
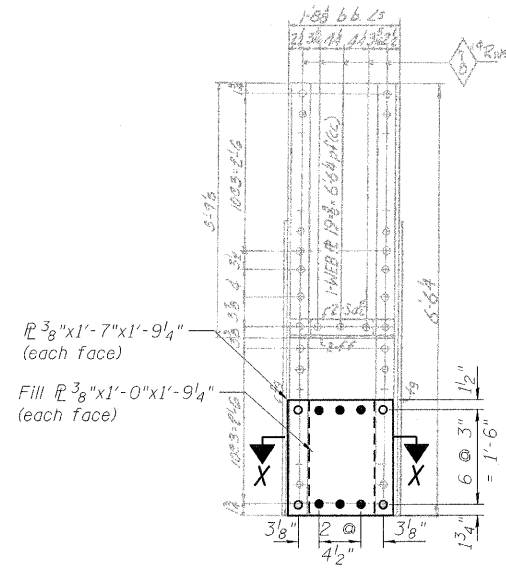
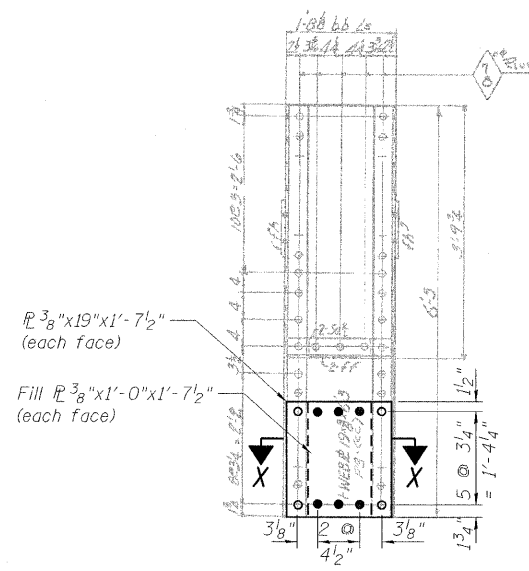
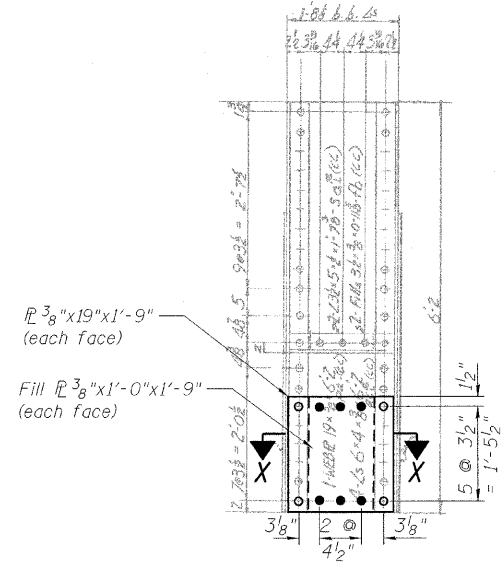


STATE OF ILLINOIS
DEPARTMENT OF TRANSPORTATION



LEGEND

- R&R Remove & replace
- Existing fastener to remain
- Hole to match existing location
- New hole
- Existing member to remain
- New member

Note:
Portions of this drawing are extracted from original drawings for this bridge. Details shown are provided to illustrate the work to be performed.

* Measured Center-Center of holes.
Proposed bar length and shape to match existing bars.

DESIGNED	A. HAMMAD
CHECKED	J. GRAINAWI
DRAWN	D. C. PATEL
CHECKED	A. HAMMAD

TRUSS REPAIRS
INSIDE TRUSS (SOUTHEAST)
STRUCTURE NO. 016-2445

SHEET NO. 100	F.A.P RTE.	SECTION	COUNTY	TOTAL SHEETS	SHEET NO.
	389	2424.2B-R	COOK	398	181
163 SHEETS	CONTRACT NO.		60D61		
FED. ROAD DIST. NO. 7 ILLINOIS FED. AID PROJECT					

PB Americas, Inc.
230 WEST MONROE STREET,
SUITE 900
CHICAGO, IL. 60606

T:\6849A\Structural\Cadd\Pre-final\EB_Plans\0162445-60D61-TRR-098.dgn
07-MAY-2009