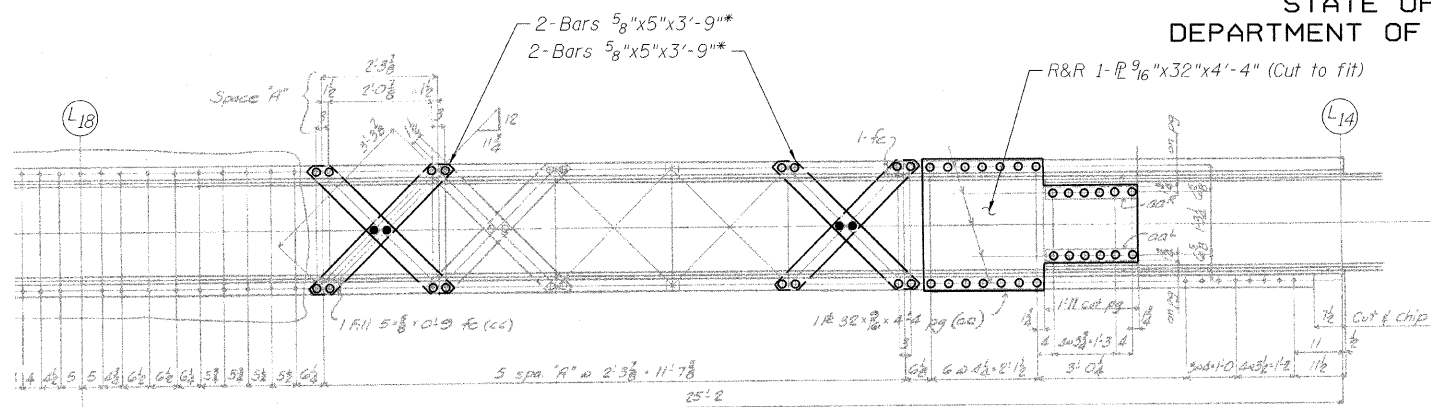
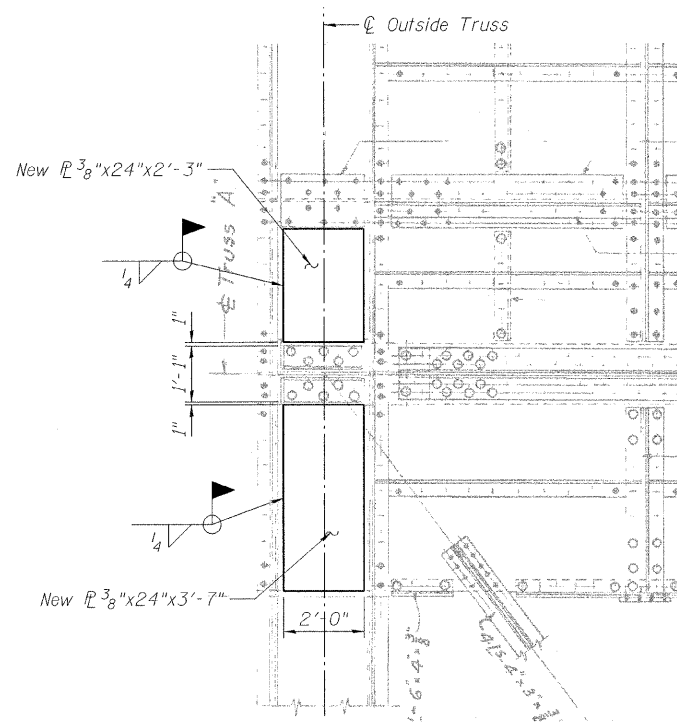


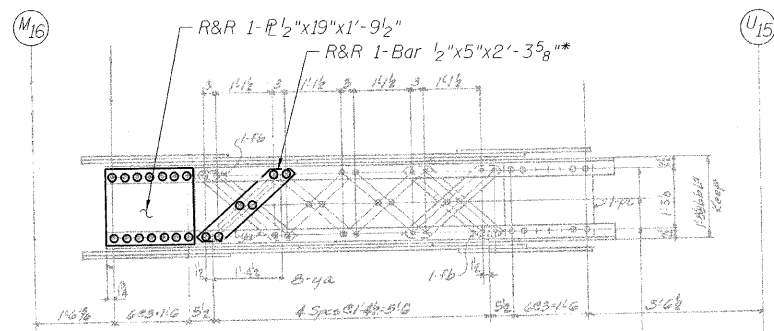
STATE OF ILLINOIS  
DEPARTMENT OF TRANSPORTATION



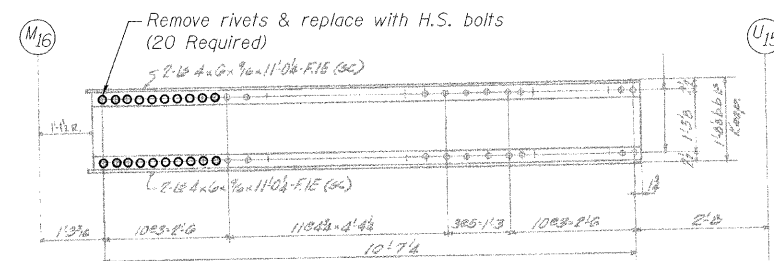
SECTION F-F



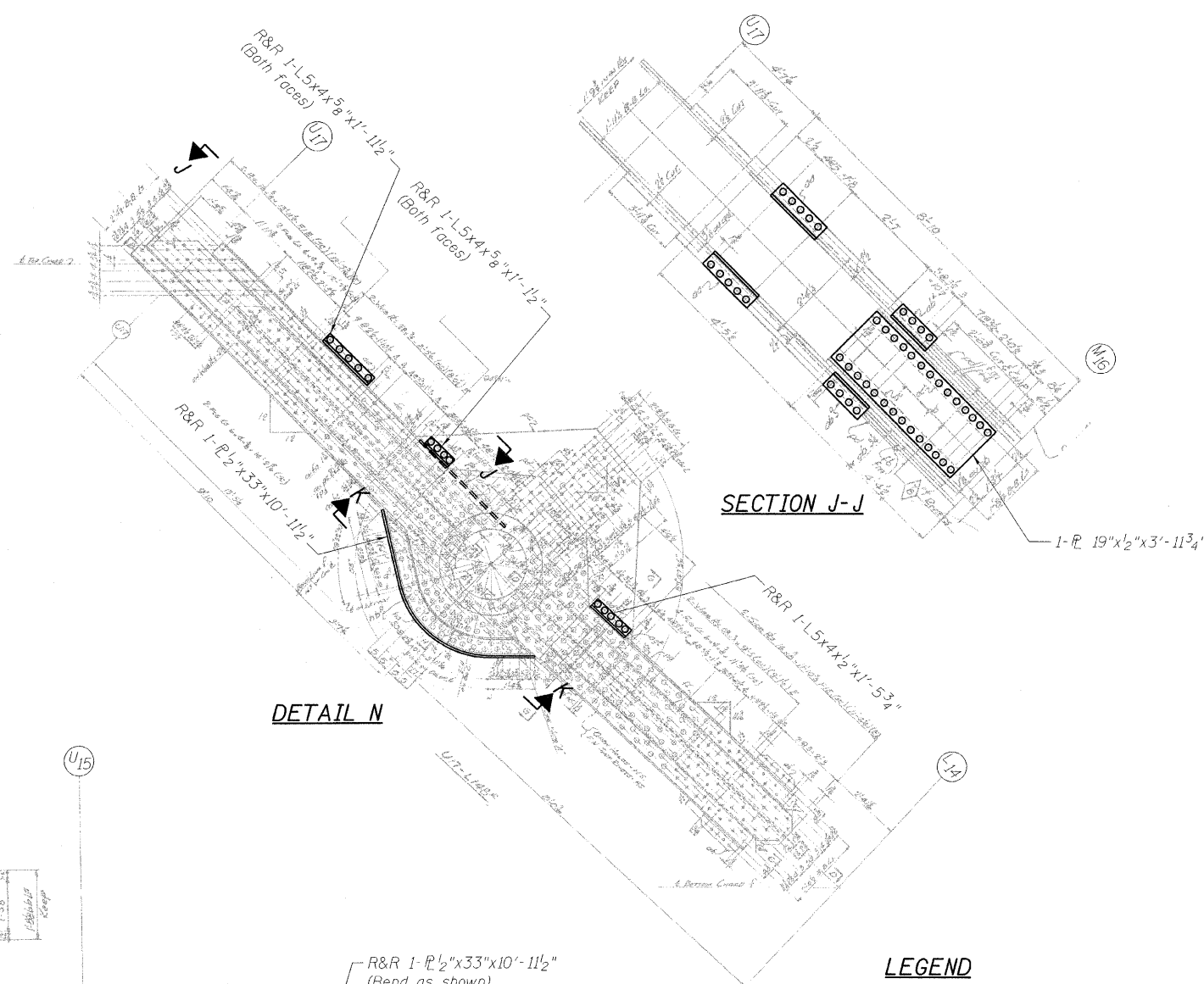
SECTION G-G



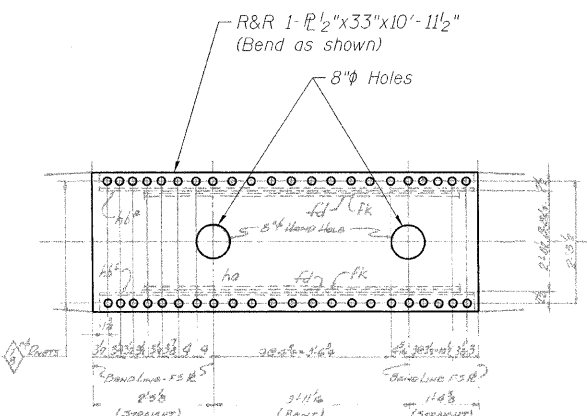
SECTION H-H



SECTION I-I



DETAIL N



SECTION K-K

LEGEND

- R&R Remove & replace
- Existing fastener to remain
- Hole to match existing location
- New hole
- Existing member to remain
- New member

Note:  
Portions of this drawing are extracted from original drawings for this bridge. Details shown are provided to illustrate the work to be performed.

DESIGNED	P. PETERSON
CHECKED	J. GRAINAWI
DRAWN	D. C. PATEL
CHECKED	A. HAMMAD

\* Measured Center-Center of holes.  
Proposed bar length and shape  
to match existing bars.

**PB Americas, Inc.**  
230 WEST MONROE STREET,  
SUITE 900  
CHICAGO, IL. 60606

SHEET NO. 120 163 SHEETS	F.A.P RTE.	SECTION	COUNTY	TOTAL SHEETS	SHEET NO.
	389	2424.2B-R	COOK	398	201
FED. ROAD DIST. NO. 7			ILLINOIS FED. AID PROJECT		
			CONTRACT NO. 60D61		

TRUSS REPAIRS  
OUTSIDE TRUSS (NORTHWEST)  
STRUCTURE NO. 016-2445