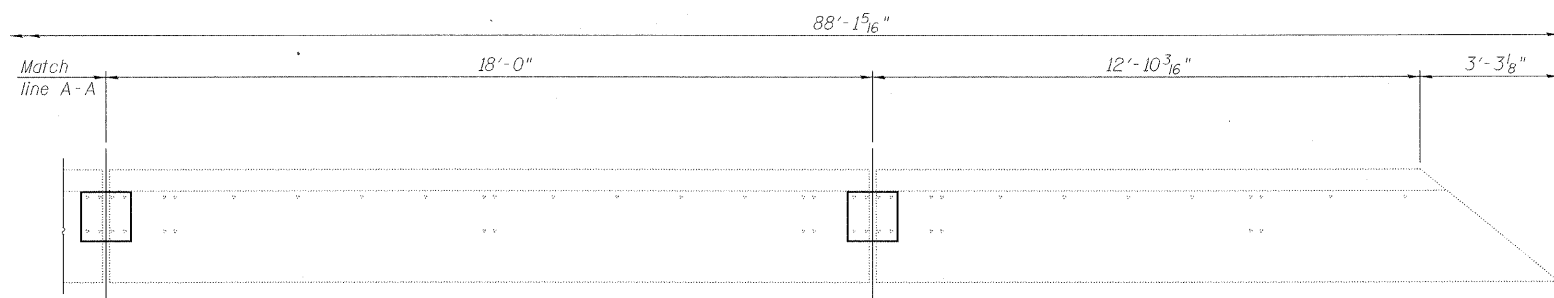
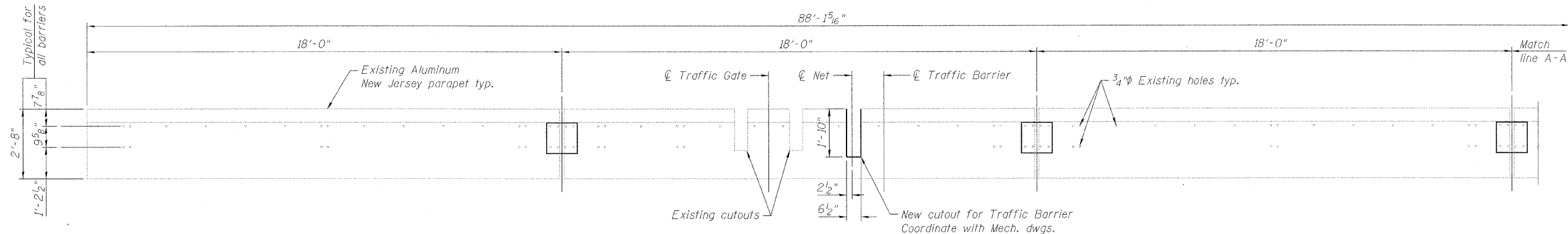
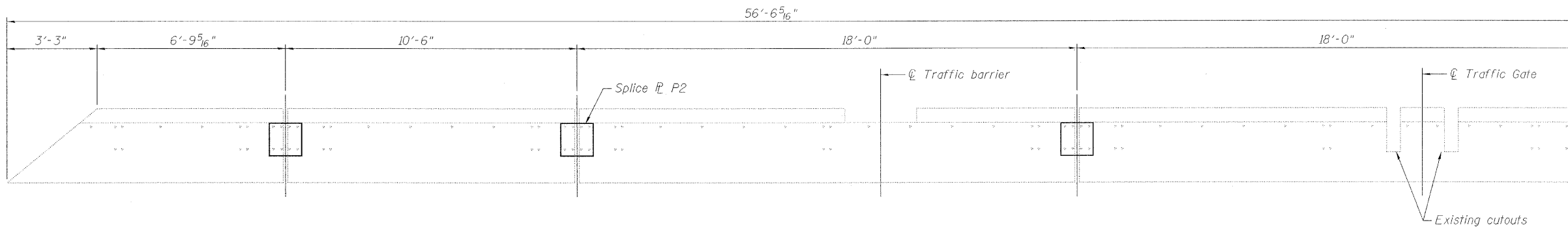


STATE OF ILLINOIS
DEPARTMENT OF TRANSPORTATION



SOUTHWEST MEDIAN PARAPET ELEVATION



SOUTHWEST MEDIAN PARAPET ELEVATION

DESIGNED	P. PILARSKI
CHECKED	J. GRAINAWI
DRAWN	D. C. PATEL
CHECKED	A. HAMMAD

Notes:
See sheet 127 of 163 for details of splice plates P1 and P2.
All splice plates type P1 unless otherwise noted.

PB Americas, Inc.
230 WEST MONROE STREET,
SUITE 900
CHICAGO, IL. 60606

SHEET NO. 123 163 SHEETS	F.A.P RTE.	SECTION	COUNTY	TOTAL SHEETS	SHEET NO.
	389	2424.2B-R	COOK	398	204
CONTRACT NO. 60D61					
FED. ROAD DIST. NO. 7 ILLINOIS FED. AID PROJECT					

**MEDIAN PARAPET
FIXED SPAN (EB)
STRUCTURE NO. 016-2445**