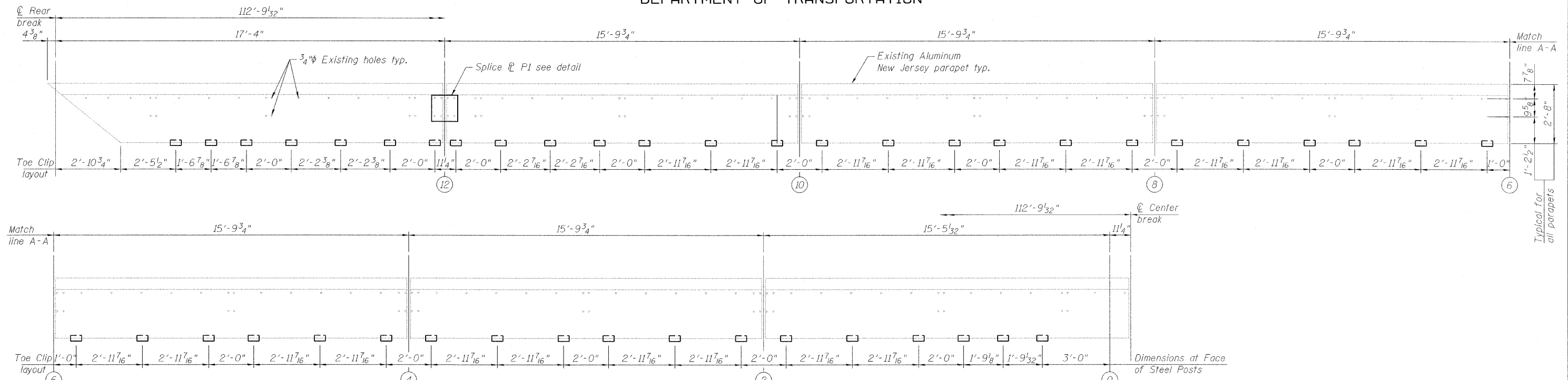
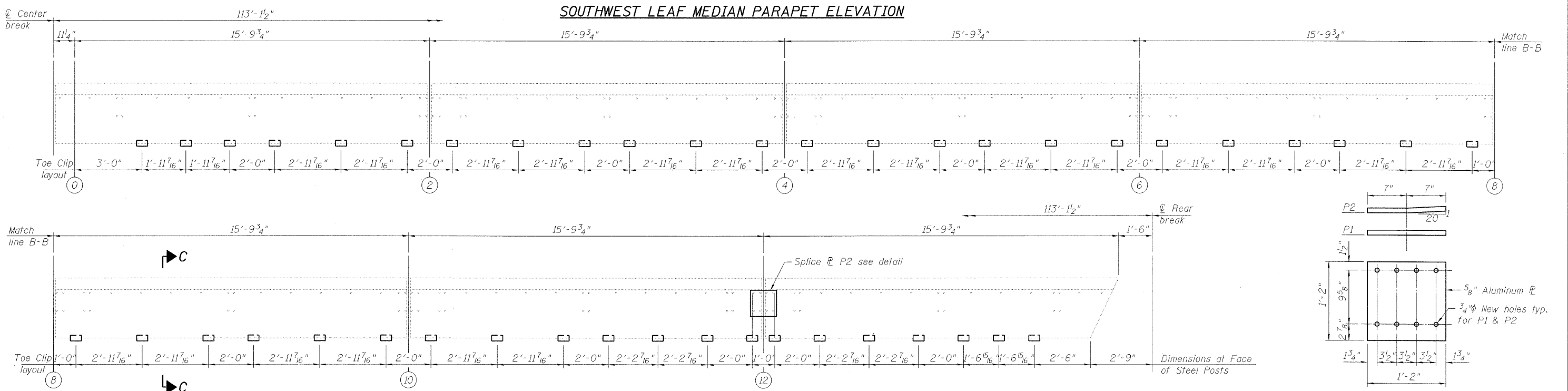


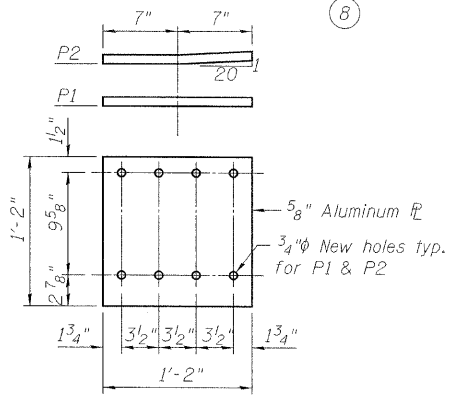
STATE OF ILLINOIS
DEPARTMENT OF TRANSPORTATION



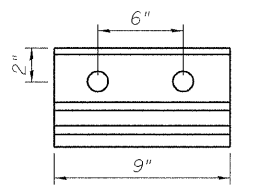
SOUTHWEST LEAF MEDIAN PARAPET ELEVATION



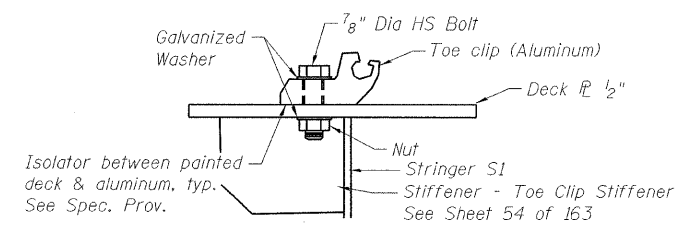
SOUTHEAST LEAF MEDIAN PARAPET ELEVATION



**SPLICE PLATE P1
(P2 SIMILAR-BENT)**



TOE CLIP DETAIL



TYPICAL TOE CLIP CONNECTION

Note:
See sheet 129 of 163 for section C-C.

PB Americas, Inc.
230 WEST MONROE STREET,
SUITE 900
CHICAGO, IL. 60606

SHEET NO. 127	F.A.P RTE.	SECTION	COUNTY	TOTAL SHEETS	SHEET NO.
	389	2424.2B-R	COOK	398	208
163 SHEETS			CONTRACT NO. 60D61		
FED. ROAD DIST. NO. 7 ILLINOIS FED. AID PROJECT					

T:\16843A\Structural\Cadd\Pre-final\EB_Plans\0162445-60D61-127-NUB.dgn 05-JUN-2009 10:02

DESIGNED	P. PILARSKI
CHECKED	J. GRAINAWI
DRAWN	D. C. PATEL
CHECKED	A. HAMMAD