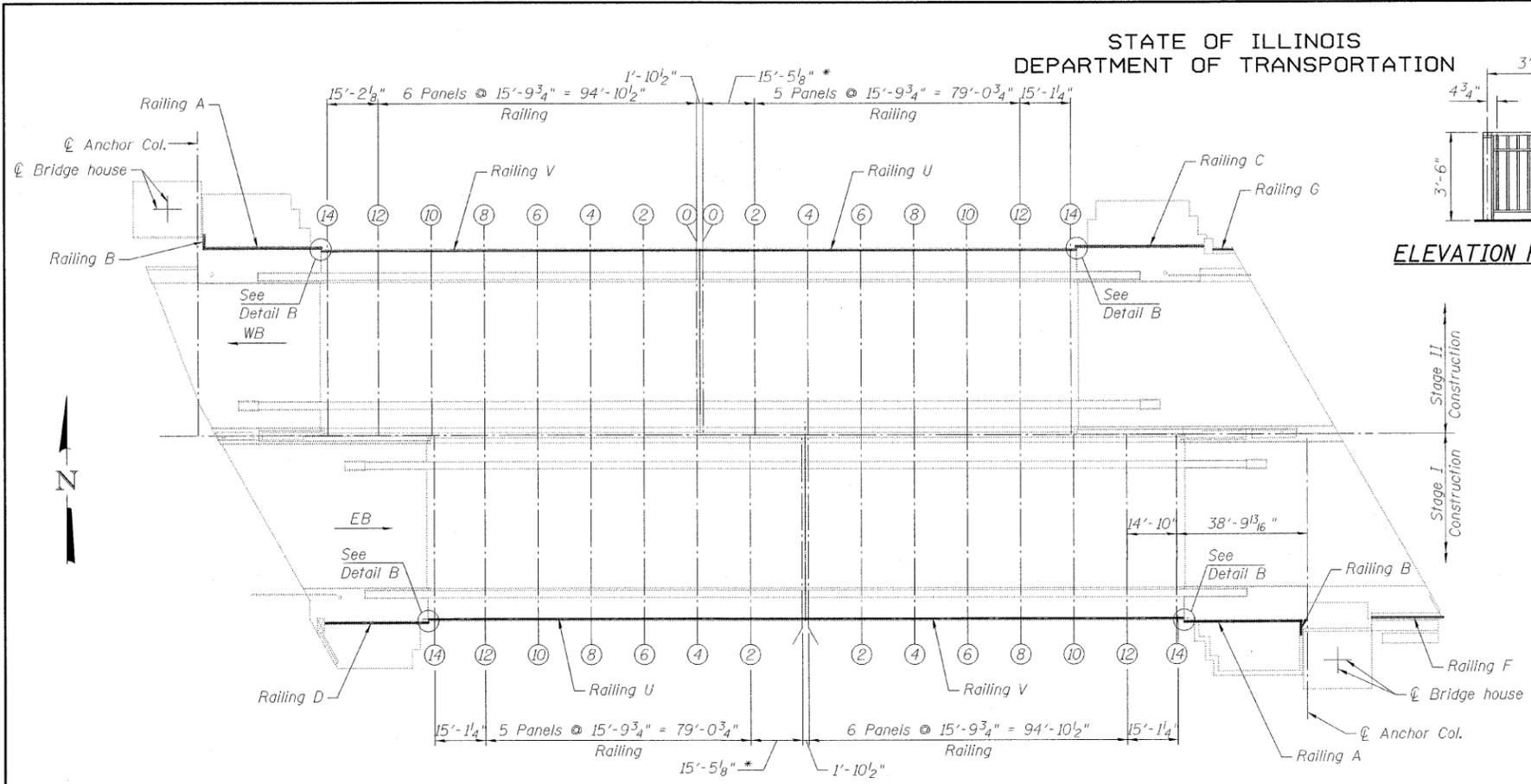
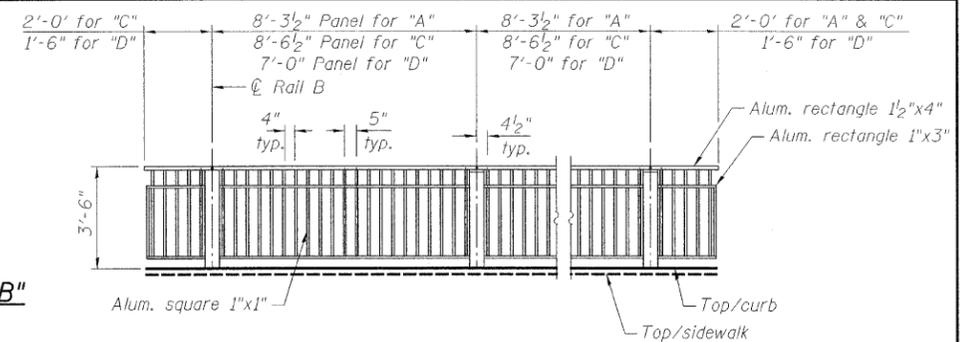


STATE OF ILLINOIS
DEPARTMENT OF TRANSPORTATION



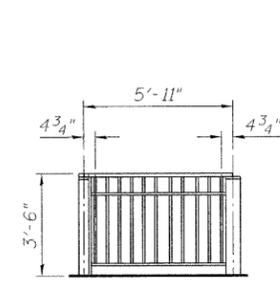
LOCATION DIAGRAM
* Verify in the field



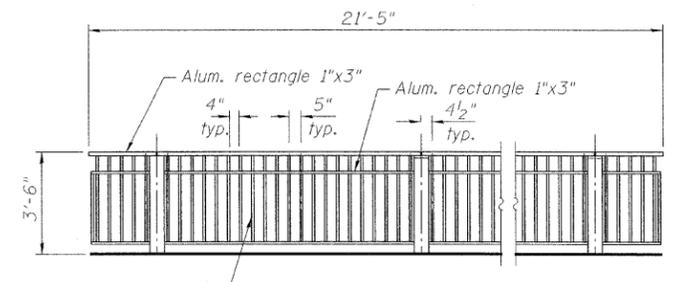
ELEVATION RAILING "B"



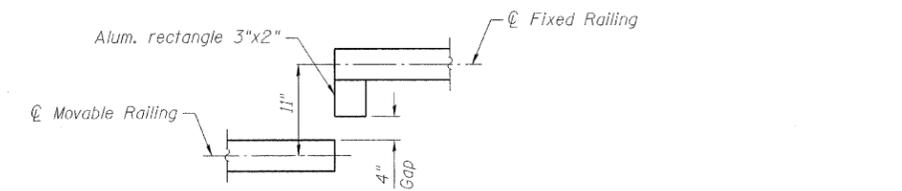
TYPICAL SIDEWALK RAILING PANEL
For Railing A, C & D



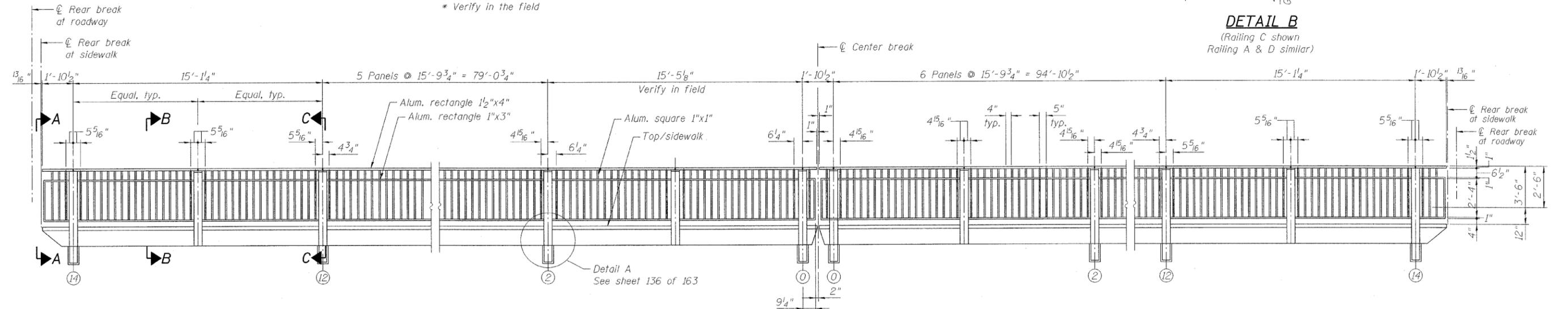
ELEVATION RAILING "G"



ELEVATION RAILING "F"



DETAIL B
(Railing C shown
Railing A & D similar)



ELEVATION
Typical sidewalk railing for Railings U & V

Notes:
See sheet 136 of 163 for section A-A, B-B, C-C and details.
All posts and balusters shall be set perpendicular to grade in the fixed spans and shall be set plumb in the movable spans.
All Aluminum shall have an anodized "Dull" finish.
All Aluminum shall be cleaned with Aluminum Brightener.
All material is structural Aluminum, Type 6061-T6 unless otherwise noted.
Duralon plate washers shall be required between.
All surfaces where Aluminum is in contact with concrete or steel.
All fasteners shall be stainless steel conforming to ASTM 193 Type 304.
Cost of Duralon plate washer and fasteners included in the cost of Aluminum Railings.

DESIGNED	A. HAMMAD
CHECKED	J. GRAINAWI
DRAWN	D. C. PATEL
CHECKED	A. HAMMAD

LEGEND
Remove Existing Railing

PB Americas, Inc.
230 WEST MONROE STREET,
SUITE 900
CHICAGO, IL. 60606

SHEET NO. 135 163 SHEETS	F.A.P RTE.	SECTION	COUNTY	TOTAL SHEETS	SHEET NO.
	389	2424.2B-R	COOK	398	216
FED. ROAD DIST. NO. 7 ILLINOIS			FED. AID PROJECT		
CONTRACT NO. 60D61					

**HANDRAIL REPAIRS/REPLACEMENT
STRUCTURE NO. 016-2445**

T:\16843A\Structural\Cadd\Pre-final\EB_Plans\0162445-60D61-135-HRR.dgn
05-JUN-2009 10:02