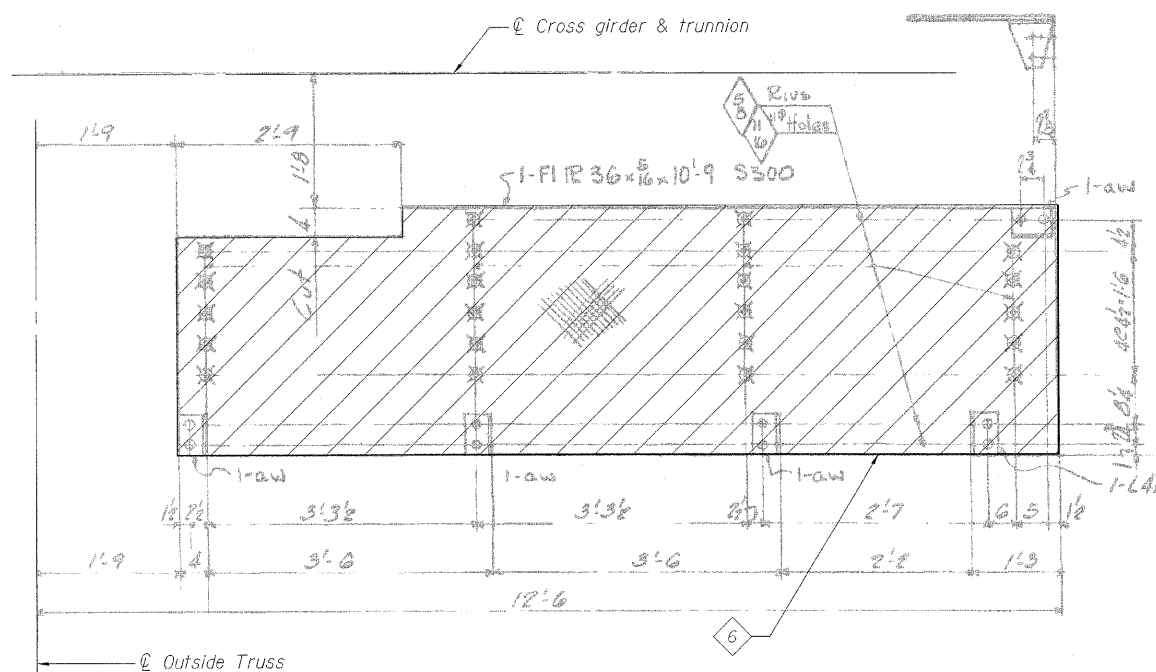
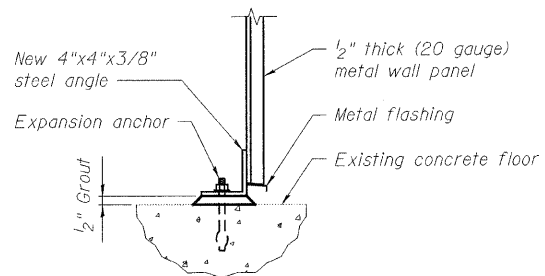


STATE OF ILLINOIS
DEPARTMENT OF TRANSPORTATION

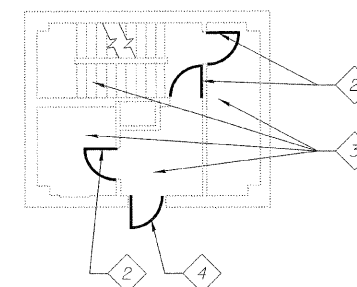


**TRUNNION PLATFORM
NEAR LATTICE TRUSS**

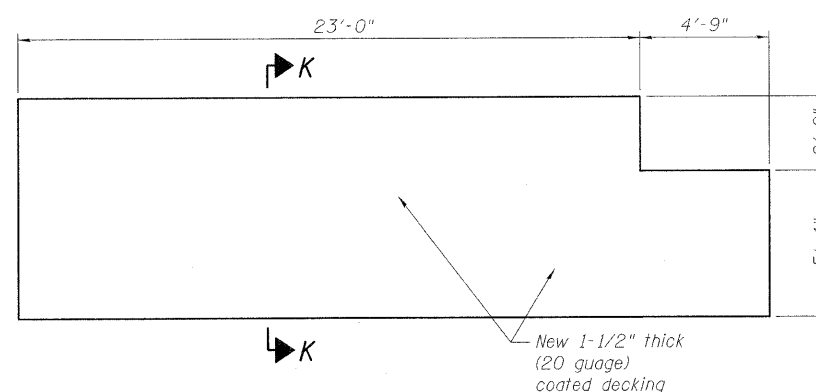
SW LEAF - NE SIMILAR (SE AND NW OPPOSITE HAND)
INSIDE TRUSS SIMILAR - OPPOSITE HAND



STEEL ANGLE DETAIL

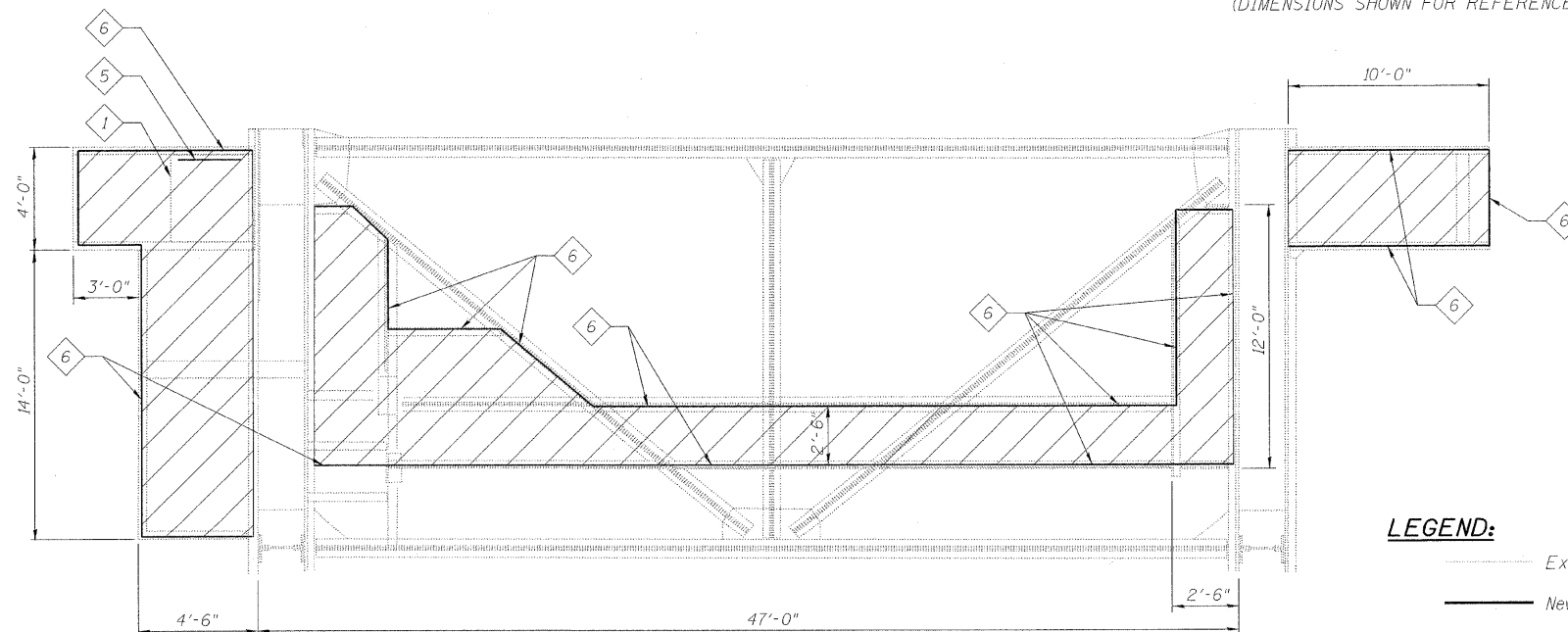


SIDEWALK LEVEL PLAN NORTHWEST SIDE
SOUTHEAST SIDE SIMILAR - OPPOSITE HAND

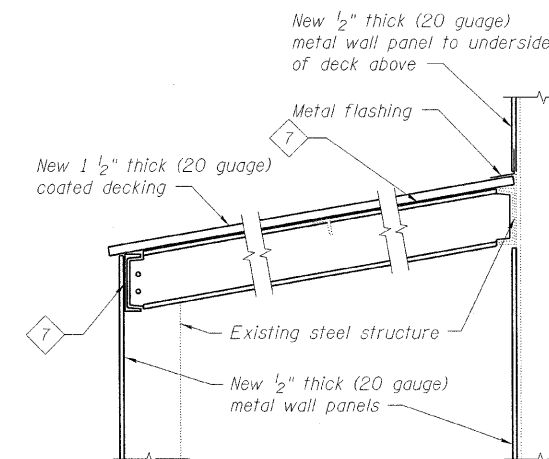


WEST INTERMEDIATE ROOF PLAN

EAST INTERMEDIATE ROOF PLAN SIMILAR - OPPOSITE HAND
(DIMENSIONS SHOWN FOR REFERENCE ONLY)



**NW CENTER SPAN WALKWAY PLAN
SE OPPOSITE AND SIMILAR**
(DIMENSIONS SHOWN FOR REFERENCE ONLY)



SECTION K-K

LEGEND:

- Existing member to remain
- New member
- Remove and replace metal grating

KEYED NOTES:

- 1 Metal sidewalk door above.
- 2 Remove and replace existing door with hollow metal (1 hour rated) door and frame (2'-6"x7'-0" door).
- 3 Fill all penetrations, cracks, and distressed mortar joints with fire caulk - all levels.
- 4 Remove and replace hollow metal (1 hour rated) door and frame (3'-0"x6'-8").
- 5 Remove ladder and replace with new metal ladder.
- 6 Remove and replace metal guardrail. For guardrail details, see sheet 146 of 163.
- 7 Remove and replace existing channels. Cost included in the cost of Metal Panels.

NOTES:

1. Walkways are shown for reference only. Verify all dimensions in field.

**ROOF PLAN, WALKWAY PLAN,
FLOOR PLAN AND DETAILS
STRUCTURE NO. 016-2445**

DESIGNED	K. STOCKIE
CHECKED	J. SHURMAN
DRAWN	E. KIENSTRA
CHECKED	A. HAMMAD

SHEET NO. 142	F.A.P. RTE.	SECTION	COUNTY	TOTAL SHEETS	SHEET NO.
	389	2424.2B-R	COOK	398	223
163 SHEETS	CONTRACT NO. 60D61			FED. ROAD DIST. NO. 7 ILLINOIS FED. AID PROJECT	

PB Americas, Inc.
230 WEST MONROE STREET,
SUITE 900
CHICAGO, IL. 60606