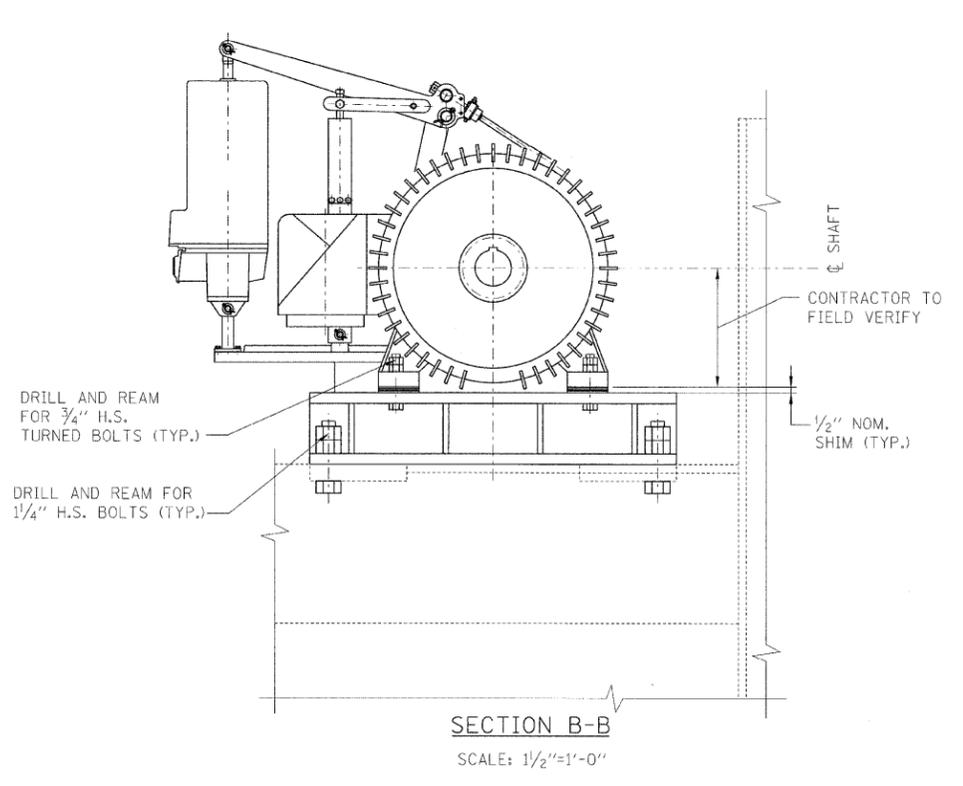
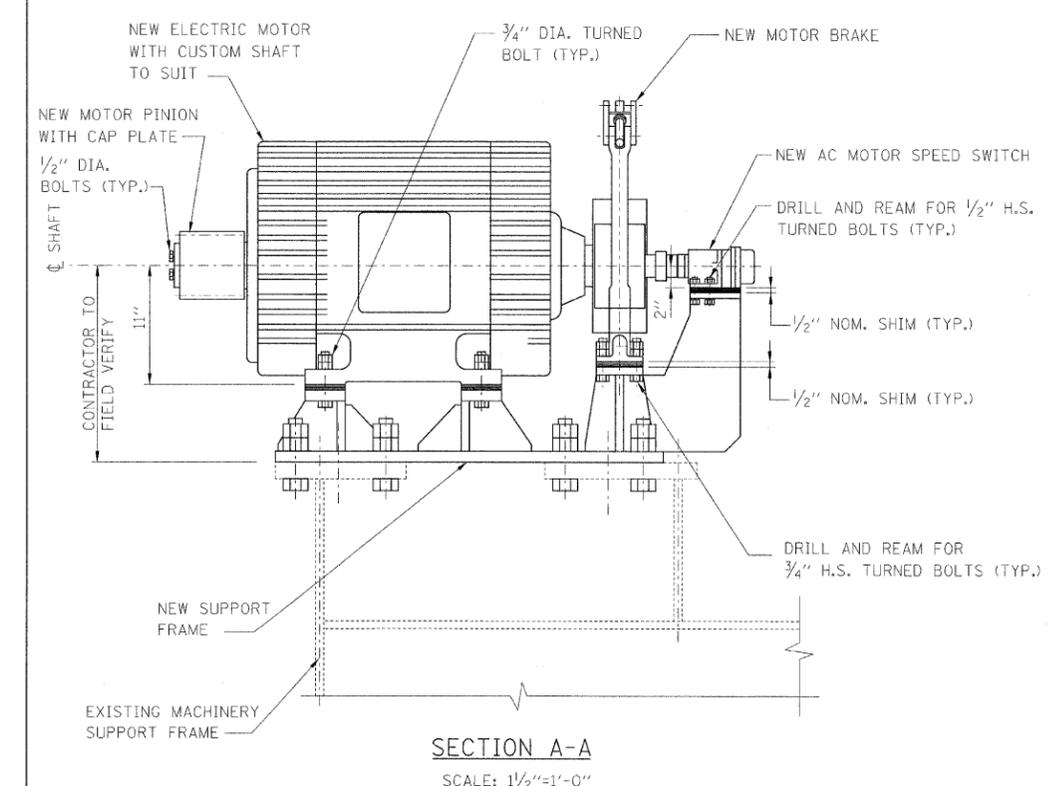


QTY.	ITEM	DESCRIPTION
8	MAIN MOTOR	75 HP ELECTRIC AC MOTOR, 530 RPM, FRAME 444T BY MAGNETEK OR APPROVED EQUAL
8	THRUSTOR BRAKE	BUBENZER 13" DIA., TYPE 315-121/6 WITH MANUAL RELEASE HANDLE AND LIMIT SWITCHES OR APPROVED EQUAL
8	AC MOTOR SPEED SWITCH	
AS REQUIRED	SHIMS	STAINLESS STEEL, ASTM A240 TYPE 316/304
64	1/4" DIA. H.S. BOLT	HEAVY HEX BOLTS, ASTM A325
128	1/4" DIA. NUT	HEAVY HEX NUTS, ASTM A563
64	3/4" DIA. TURNED BOLT	HIGH STRENGTH TURNED BOLTS, ASTM A490
128	3/4" DIA. NUT	HEAVY HEX NUTS, ASTM A563
32	1/2" DIA. TURNED BOLT	HIGH STRENGTH TURNED BOLTS, ASTM A490
32	1/2" DIA. NUT	HEAVY HEX NUTS, ASTM A563
48	1/2" DIA. WASHER	HARDENED STEEL WASHERS, ASTM F436
16	1/2" DIA. CAP BOLT	HIGH STRENGTH TURNED BOLTS, ASTM A490
8	COUPLING	LOVEJOY JAW IN-SHEAR TYPE, SIZE LS095 STYLE 1, WITH 3/4" BORE OR APPROVED EQUAL



LEGEND:
 - - - - - EXISTING MEMBER TO REMAIN
 ——— NEW MEMBER

- NOTES:**
- FOR GENERAL NOTES, SEE SHEET M-01.
 - CONTRACTOR SHALL VERIFY ALL DIMENSIONS.
 - WORK THIS DWG WITH SHEETS M-06 AND M-07.
 - UNLESS THERE IS SEVERE INTERFERENCE WITH NEW MACHINERY, EXISTING BOLT HOLES SHALL BE FILLED BY ROUND-HEADED BLIND RIVETS OR FLAT HEADED SELF-TAPPING SCREWS SET INTO COUNTERSUNK HOLES. PLUG WELDS SHALL ONLY BE PERMITTED UPON WRITTEN APPROVAL OF THE ENGINEER.
 - DRILLING AND REAMING SHALL OCCUR AFTER FINAL ALIGNMENT.