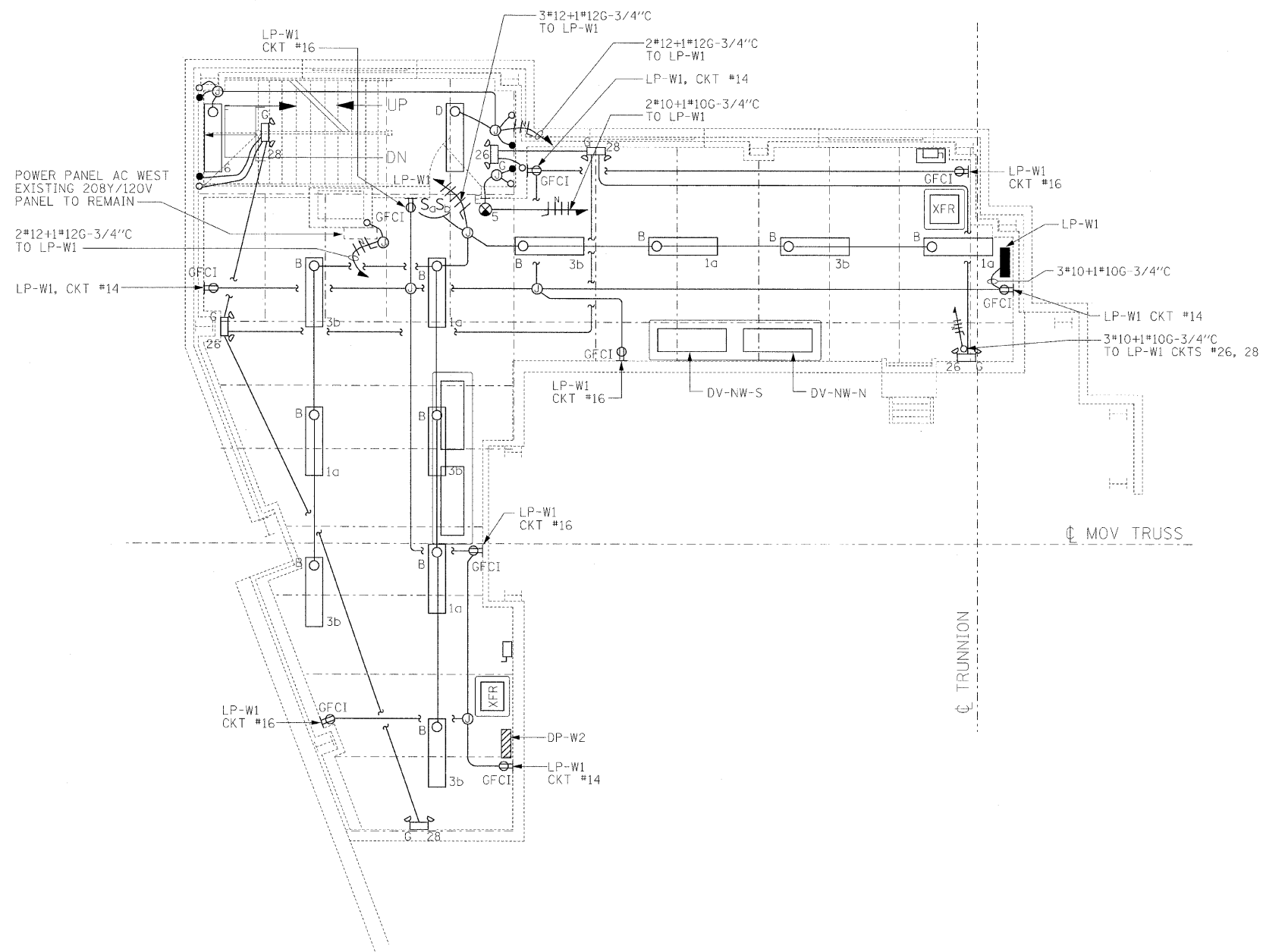




**NOTES:**

1. FOR ELECTRICAL SYMBOLS SEE DWGS. E-04 & E-05.
2. FOR ABBREVIATIONS SEE DWG. E-06.
3. FOR GENERAL NOTES SEE DWGS. E-02 & E-03.
4. FOR PANEL SCHEDULES SEE DWG E-64.
5. FOR LIGHT FIXTURES DESCRIPTIONS SEE ELECTRICAL SPECIFICATIONS.



**LIGHTING AND RECEPTACLE PLAN - WEST SIDE MEZZANINE LEVEL**  
1/4" = 1'-0"

**PB Americas, Inc.**  
230 WEST MONROE STREET,  
SUITE 900  
CHICAGO, IL. 60606

USER NAME = sharma  
FILE NAME = D162d61-shr-elc-36.dgn  
PLOT SCALE = NONE  
PLOT DATE = 5/7/2009

DESIGNED - R. GODULIAS  
DRAWN - S. SHARMA  
CHECKED - M. INTATANO  
DATE - MAY 8, 2009

REVISED -  
REVISED -  
REVISED -  
REVISED -

**STATE OF ILLINOIS**  
**DEPARTMENT OF TRANSPORTATION**

**LIGHTING AND RECEPTACLE PLAN**  
**WEST SIDE MEZZANINE LEVEL**

SCALE: AS SHOWN SHEET NO. E-36 OF E-125 SHEETS STA. 379+06.09 TO STA. 382+45.28

F.A.P. RTE.	SECTION	COUNTY	TOTAL SHEETS	SHEET NO.
389	2424-2B-R	COOK	398	307
				CONTRACT NO. 60D61
FED. ROAD DIST. NO. 1 [ILLINOIS] FED. AID PROJECT				