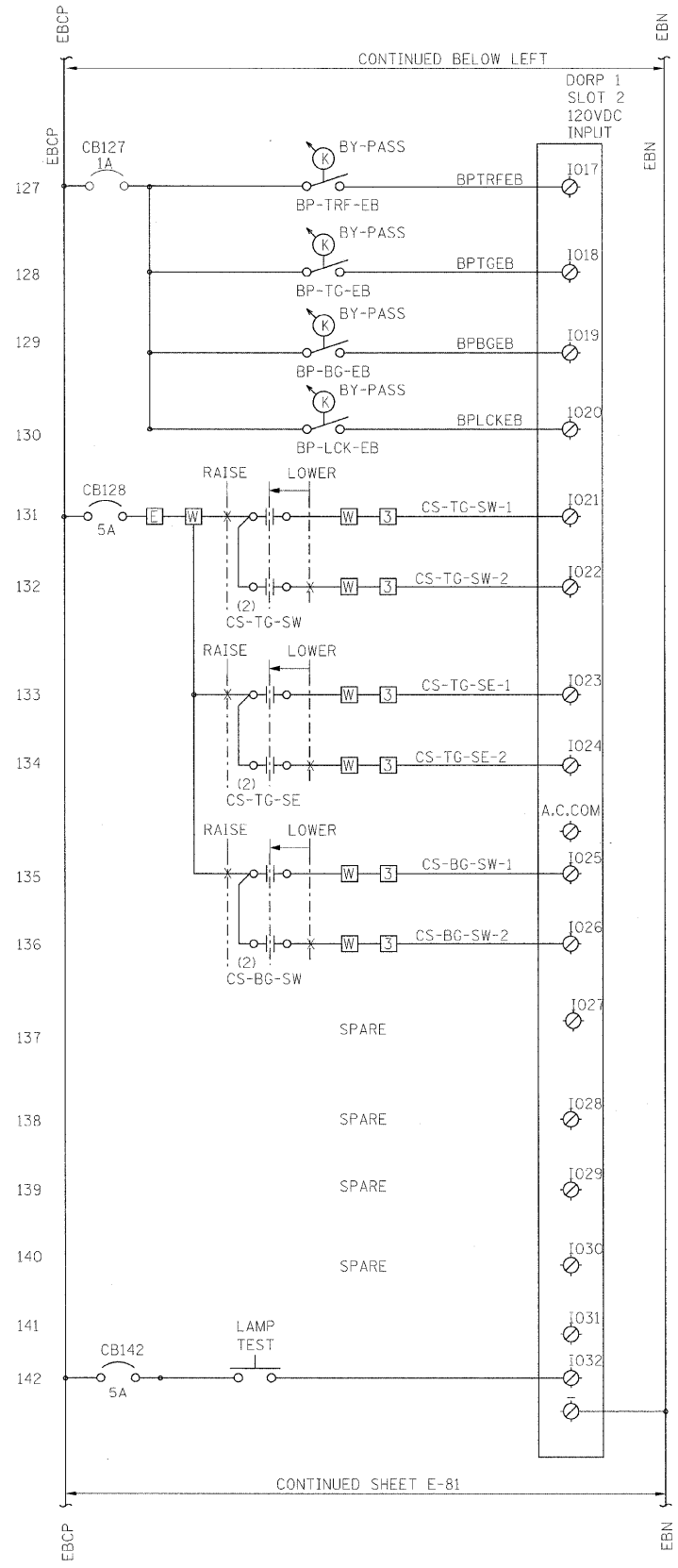


EASTBOUND CONTROL DESK

NOTES:

- FOR DRAWING SYMBOLS, LEGEND AND ABBREVIATIONS SEE DRAWINGS E-04, E-05 AND E-06



- EB TRAFFIC LIGHT BYPASS
- EB TRAFFIC GATE BYPASS
- EB TRAFFIC BARRIER BYPASS
- EB SPAN LOCKS BYPASS
- TRAFFIC GATES (EB) SOUTHWEST ON-COMING RAISE
- LOWER
- TRAFFIC GATES (EB) SOUTHWEST OFF-GOING
- RAISE
- LOWER
- BARRIER GATES (EB) SOUTHWEST ON-COMING RAISE
- LOWER
- SPARE
- SPARE
- SPARE
- SPARE
- LAMP TEST

PB Americas, Inc.
230 WEST MONROE STREET,
SUITE 900
CHICAGO, IL. 60606

USER NAME = sharma
FILE NAME = D160d61-shr-elo-80.dgn
PLOT SCALE = NONE
PLOT DATE = 5/7/2009

DESIGNED - B. GROUTHAMEL
DRAWN - S. SHARMA
CHECKED - S. STERN
DATE - MAY 8, 2009

REVISED -
REVISED -
REVISED -
REVISED -

**STATE OF ILLINOIS
DEPARTMENT OF TRANSPORTATION**

**BRIDGE CONTROL SCHEMATIC DIAGRAM
EASTBOUND - SHEET 1**

SCALE: AS SHOWN SHEET NO. E-80 OF E-125 SHEETS STA. 379+06.09 TO STA. 382+45.28

F.A.P. RTE.	SECTION	COUNTY	TOTAL SHEETS	SHEET NO.
389	2424-28-R	COOK	398	351
CONTRACT NO. 60D61				
FED. ROAD DIST. NO. 1 [ILLINOIS] FED. AID PROJECT				