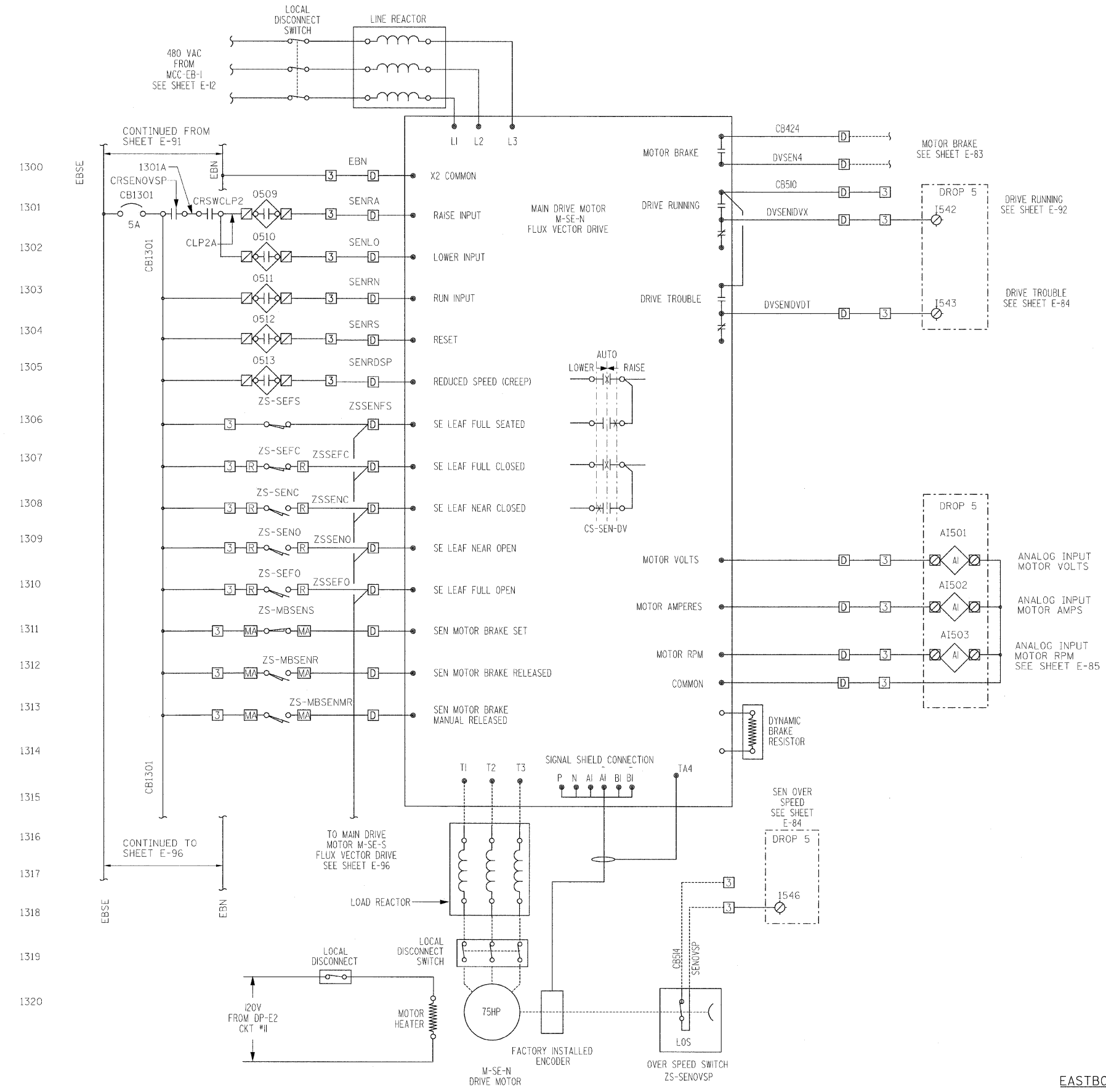


**NOTES:**

- FOR DRAWING SYMBOLS, LEGEND AND ABBREVIATIONS SEE DRAWINGS E-04, E-05 AND E-06.



EASTBOUND MAIN MOTOR SEN DRIVE

**PB Americas, Inc.**  
 230 WEST MONROE STREET,  
 SUITE 900  
 CHICAGO, IL. 60606

USER NAME = sharma	DESIGNED - B. CROUTHAMEL	REVISED -
FILE NAME = D160d61-ehtr-e1c-95.dgn	DRAWN - S. SHARMA	REVISED -
PLOT SCALE = NONE	CHECKED - S. STERN	REVISED -
PLOT DATE = 5/7/2009	DATE - MAY 8, 2009	REVISED -

**STATE OF ILLINOIS  
 DEPARTMENT OF TRANSPORTATION**

**BRIDGE CONTROL SCHEMATIC DIAGRAM  
 EASTBOUND - SHEET 16**

SCALE: AS SHOWN SHEET NO. E-95 OF E-125 SHEETS STA. 379+06.09 TO STA. 382+45.28

F.A.P. RTE.	SECTION	COUNTY	TOTAL SHEETS	SHEET NO.
389	2424-2B-R	COOK	398	366
CONTRACT NO. 60D61				

FED. ROAD DIST. NO. 1 ILLINOIS FED. AID PROJECT