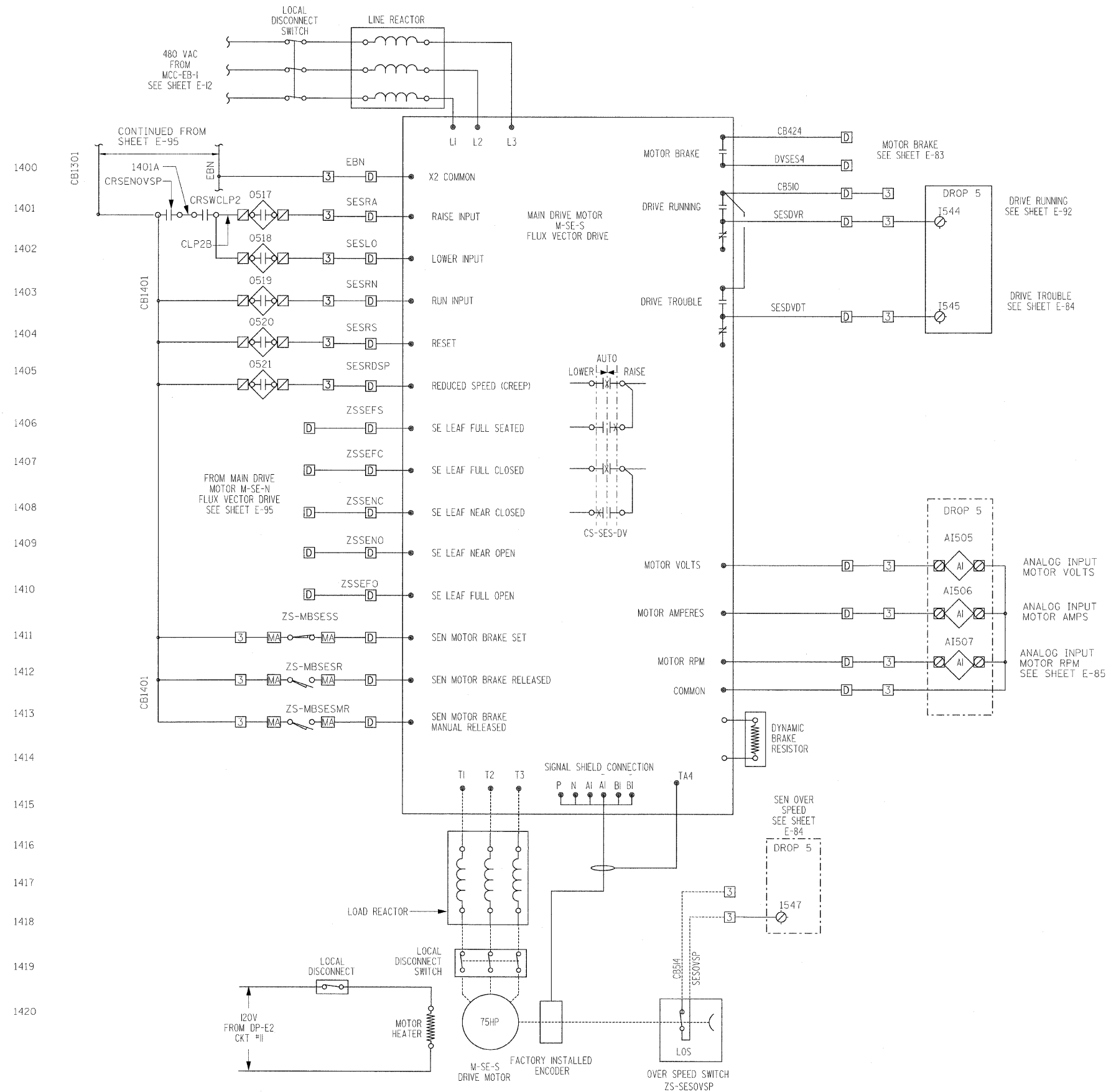


NOTES:

- FOR DRAWING SYMBOLS, LEGEND AND ABBREVIATIONS SEE DRAWINGS E-04, E-05 AND E-06.



EASTBOUND MAIN MOTOR SES DRIVE

PB Americas, Inc.
 230 WEST MONROE STREET,
 SUITE 900
 CHICAGO, IL. 60606

USER NAME = anarimo
 FILE NAME = D:\6061-shr-elo-96.dgn
 PLOT SCALE = NONE
 PLOT DATE = 5/7/2009

DESIGNED - B. CROUTHAMEL
 DRAWN - S. SHARMA
 CHECKED - S. STERN
 DATE - MAY 8, 2009

REVISED -
 REVISED -
 REVISED -
 REVISED -

STATE OF ILLINOIS
DEPARTMENT OF TRANSPORTATION

BRIDGE CONTROL SCHEMATIC DIAGRAM
EASTBOUND - SHEET 17

SCALE: AS SHOWN SHEET NO. E-96 OF E-125 SHEETS STA. 379+06.09 TO STA. 382+45.28

F.A.P. RTE.	SECTION	COUNTY	TOTAL SHEETS	SHEET NO.
389	2424-2B-R	COOK	398	367
CONTRACT NO. 60D61				
FED. ROAD DIST. NO. 1 [ILLINOIS] FED. AID PROJECT				