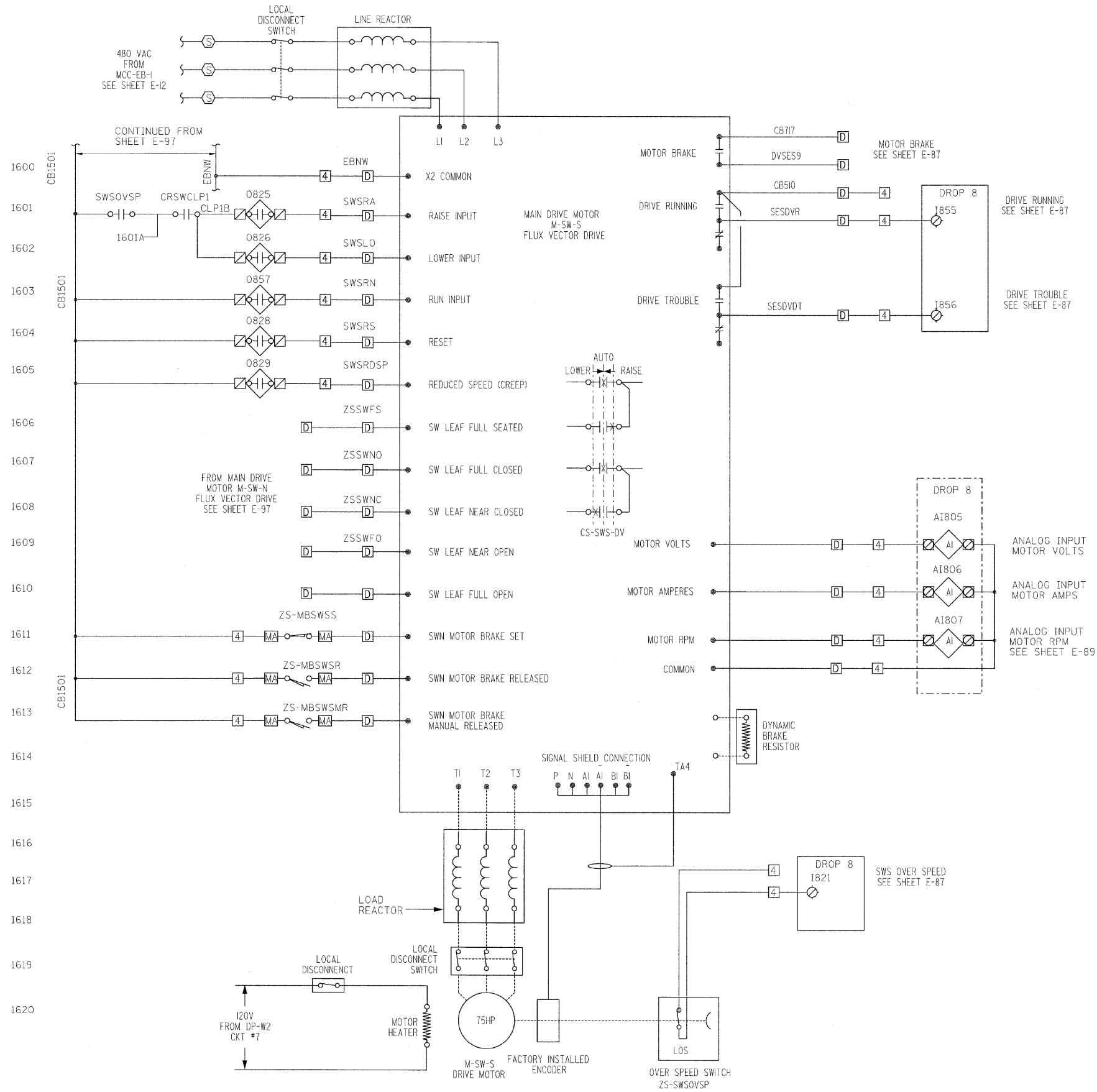


NOTES:

1. FOR DRAWING SYMBOLS, LEGEND AND ABBREVIATIONS SEE DRAWINGS E-04, E-05 AND E-06.



EASTBOUND MAIN MOTOR SWS DRIVE

PB Americas, Inc.
 230 WEST MONROE STREET,
 SUITE 900
 CHICAGO, IL. 60606

USER NAME = snarma	DESIGNED - B. CROUTHAMEL	REVISED -
FILE NAME = D168d61-shs-elo-98.dgn	DRAWN - S. SHARMA	REVISED -
PLOT SCALE = NONE	CHECKED - S. STERN	REVISED -
PLOT DATE = 5/7/2009	DATE - MAY 8, 2009	REVISED -

STATE OF ILLINOIS
DEPARTMENT OF TRANSPORTATION

BRIDGE CONTROL SCHEMATIC DIAGRAM
EASTBOUND - SHEET 19

SCALE: AS SHOWN SHEET NO. E-98 OF E-125 SHEETS STA. 379+06.09 TO STA. 382+45.28

F.A.P. RTE.	SECTION	COUNTY	TOTAL SHEETS	SHEET NO.
389	2424-2B-R	COOK	398	369
				CONTRACT NO. 60D61
FED. ROAD DIST. NO. 1 ILLINOIS FED. AID PROJECT				