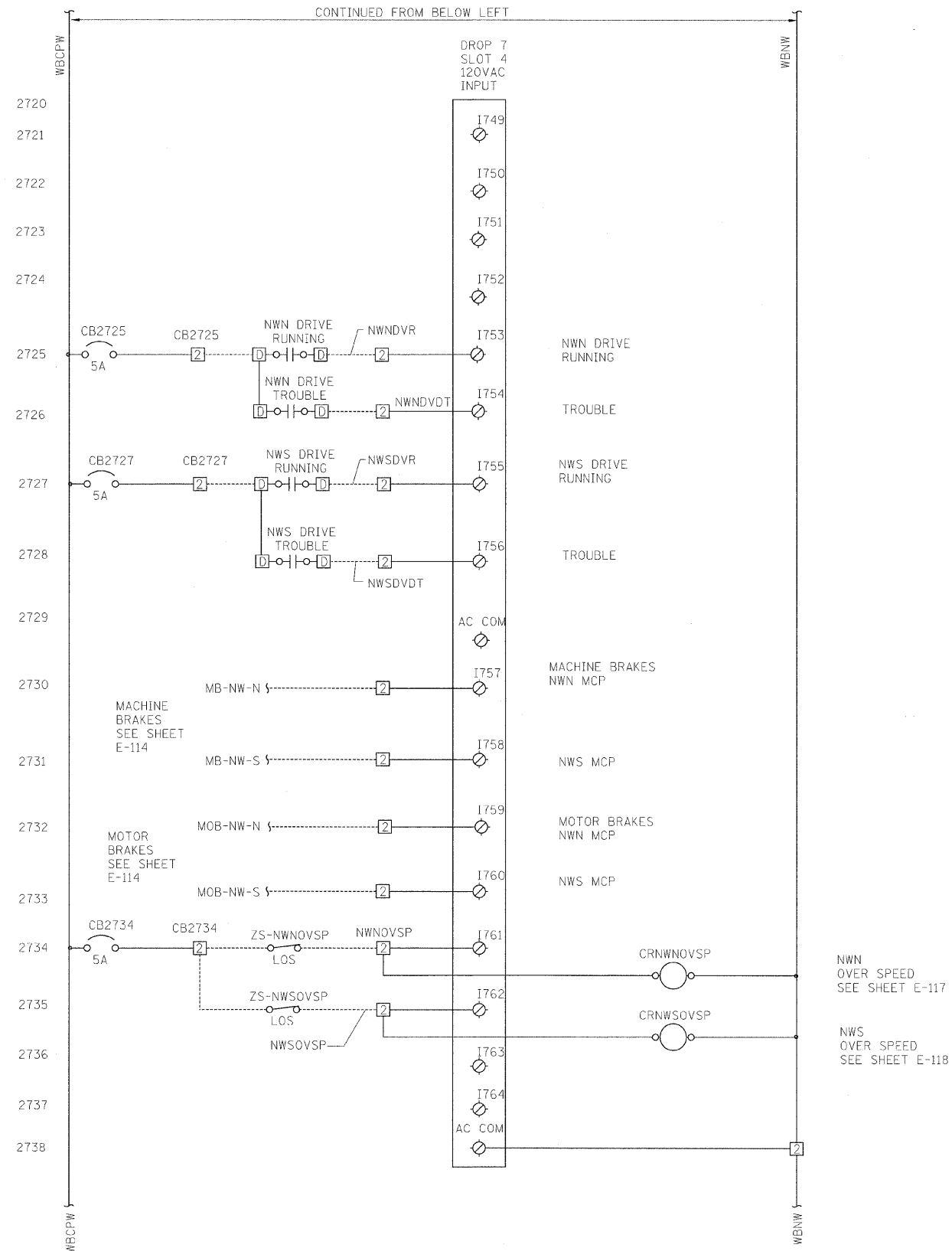
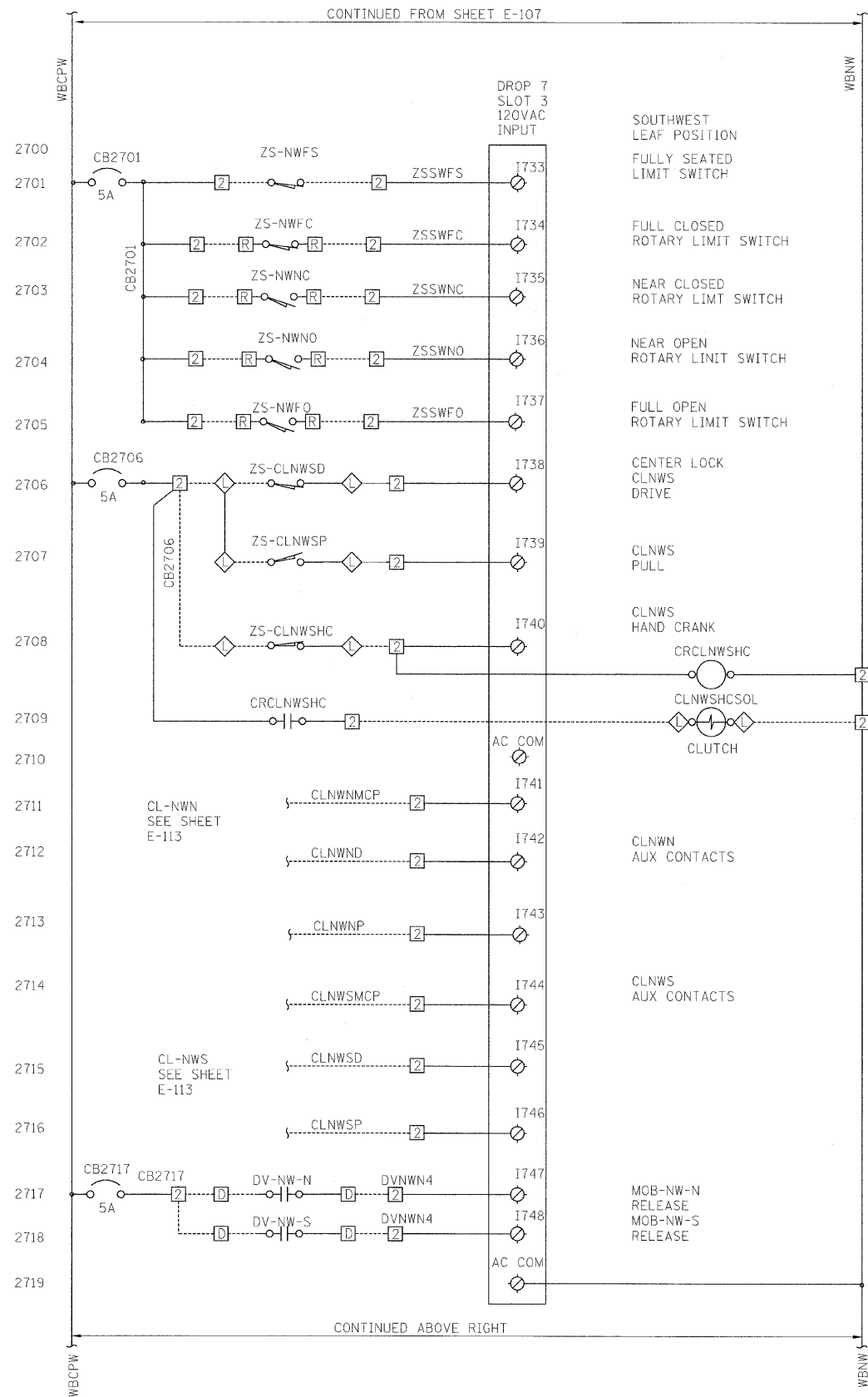


**NOTES:**

1. FOR DRAWING SYMBOLS, LEGEND AND ABBREVIATIONS SEE DRAWINGS E-04, E-05 AND E-06



DROP 7 NORTHWEST PLC I/O CABINET

**PB Americas, Inc.**  
230 WEST MONROE STREET,  
SUITE 900  
CHICAGO, IL, 60606

USER NAME = sharma  
FILE NAME = D:\E0461-shr-elo-108.dgn  
PLOT SCALE = NONE  
PLOT DATE = 5/7/2009

DESIGNED - B. CROUTHAMEL  
DRAWN - S. SHARMA  
CHECKED - S. STERN  
DATE - MAY 8, 2009

REVISED -  
REVISED -  
REVISED -  
REVISED -

**STATE OF ILLINOIS  
DEPARTMENT OF TRANSPORTATION**

**BRIDGE CONTROL SCHEMATIC DIAGRAM  
WESTBOUND - SHEET 8**

SCALE: AS SHOWN SHEET NO. E-108 OF E-125 SHEETS STA. 379+06.09 TO STA. 382+45.28

F.A.P. RTE.	SECTION	COUNTY	TOTAL SHEETS	SHEET NO.
389	2424-2B-R	COOK	398	379
CONTRACT NO. 60D61				
FED. ROAD DIST. NO. 1 ILLINOIS FED. AID PROJECT				