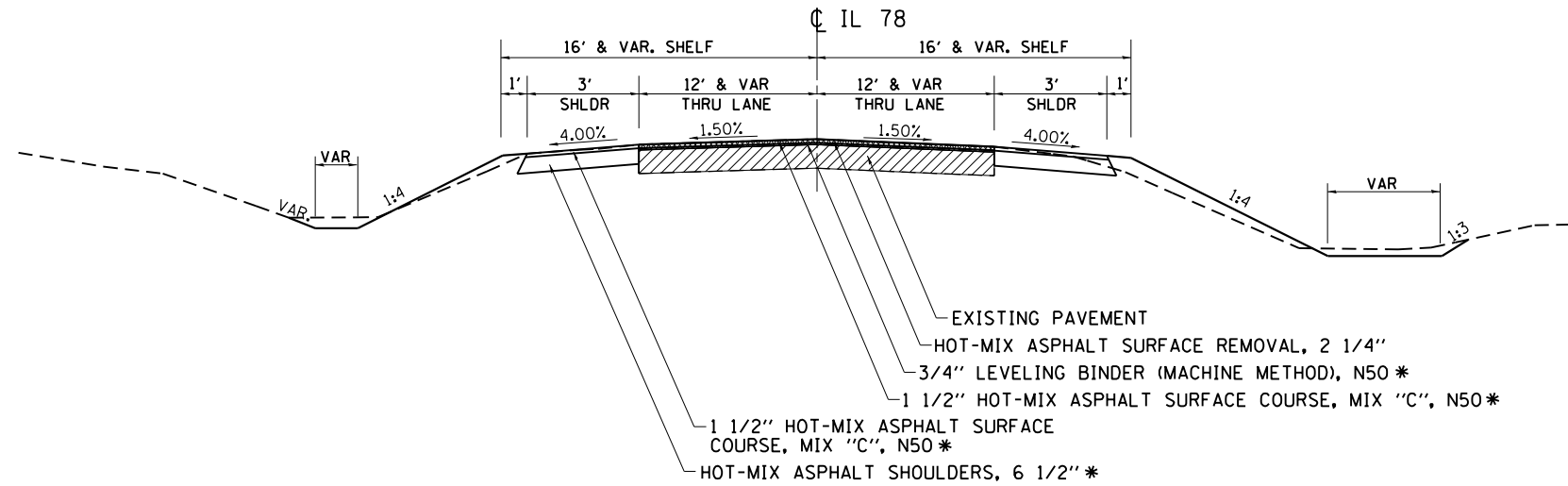


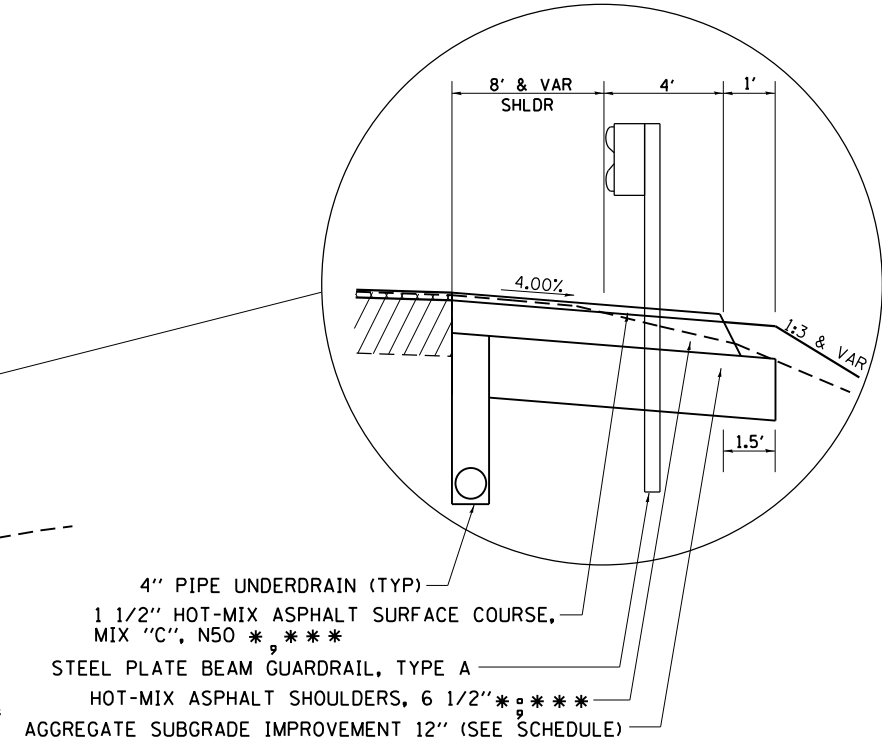
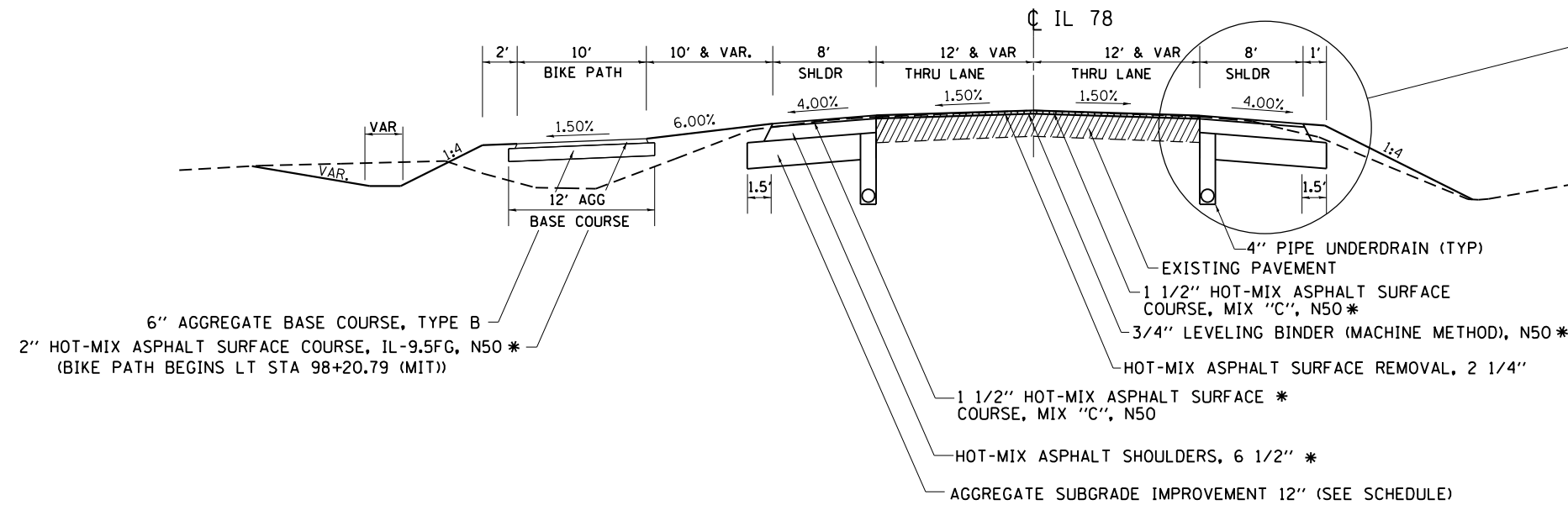
TYPICAL SECTIONS

IL RTE 78
 STA 901+97 - 902+42
 STA 902+42 - 905+90



IL RTE 78
 RT STA 908+18.07 - 909+25
 LT STA 908+29.75 - 909+25

IL RTE 78
 STA 905+90 - 909+25
 STA 913+93 - 914+20 **



NOTES

- * 112 LB/SQ YD IN
- ** CONTAINS VARIABLE DEPTH LEVELING BINDER (MACHINE METHOD), N50
- *** PCC SHOULDERS 8" FROM STA 909+12.49 - 909+25

LEGEND

 EXISTING

 REMOVAL

FILE NAME =	USER NAME = Fasslermj	DESIGNED -	REVISED -	STATE OF ILLINOIS DEPARTMENT OF TRANSPORTATION	TYPICAL SECTIONS			F.A.P. RTE.	SECTION	COUNTY	TOTAL SHEETS	SHEET NO.
ce:\pw\work\p\idot\fasslermj\0149594\0208209-sh-typical.dgn	DRAWN -	REVISED -	22					15BR-1	WHITESIDE	146	10	
PLOT SCALE = 100.0000' / 1" =	CHECKED -	REVISED -	CONTRACT NO. 64F19									
PLOT DATE = Fri Jun 13 08:43:47 2014	DATE -	REVISED -	FED. ROAD DIST. NO. ILLINOIS FED. AID PROJECT									