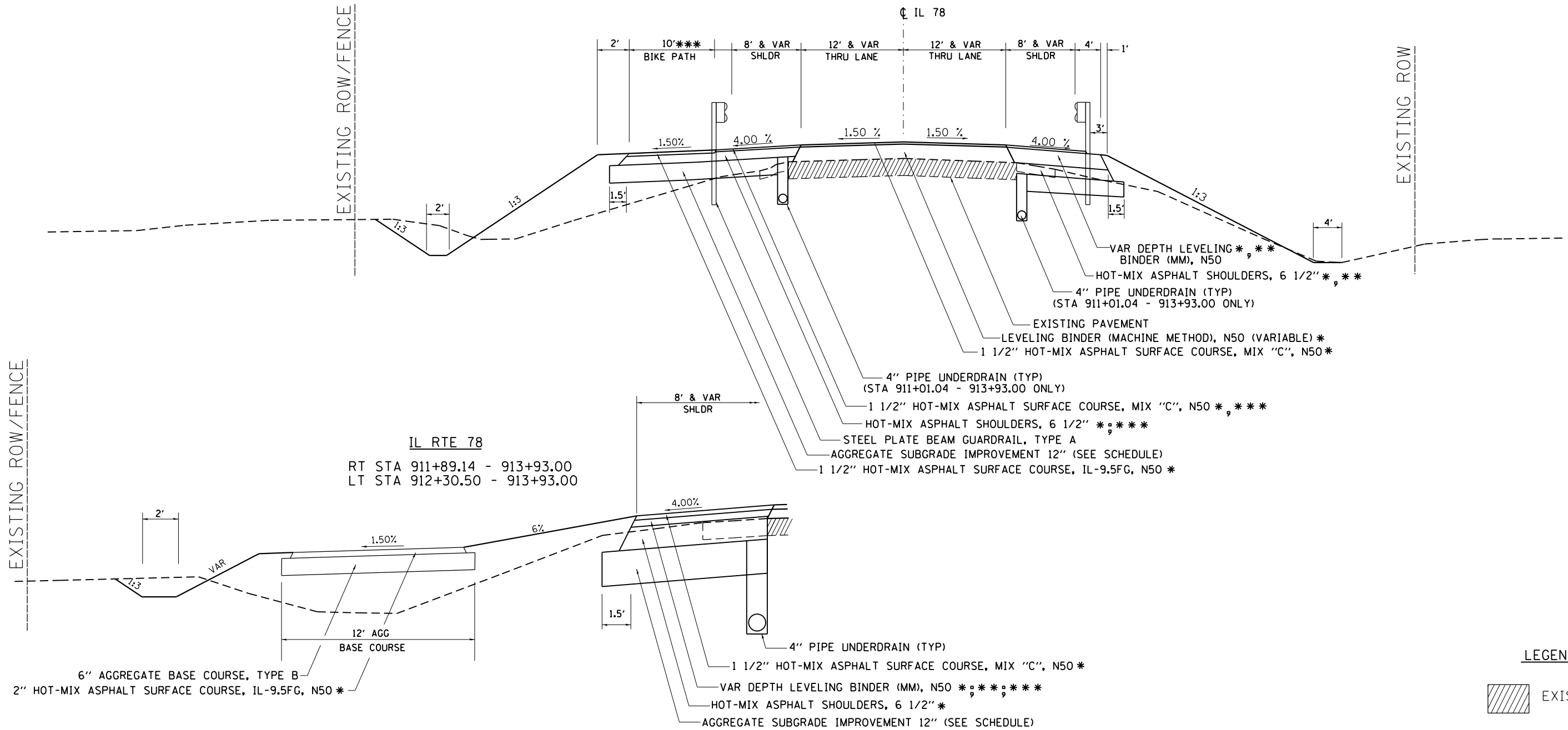


TYPICAL SECTIONS

IL RTE 78
 STA 909+25 - 909+32
 STA 911+01 - 913+93



NOTES

- * 112 LB/SO YD IN
- ** SHOULDER PROFILING WEDGE (VARIABLE DEPTH) FROM RT STA 911+75 - 914+00 & LT STA 913+00 - 913+75
- *** PCC SHOULDERS 8" FROM LT STA 909+25 - 909+29 & RT STA 909+25 - 909+38
- **** BIKE PATH CONFIGURATION IS FROM LT STA 908+17 - 909+17 & LT STA 910+93 - 912+07

FILE NAME =	USER NAME = Fasslermj	DESIGNED -	REVISED -	STATE OF ILLINOIS DEPARTMENT OF TRANSPORTATION	TYPICAL SECTIONS			F.A.P. RTE.	SECTION	COUNTY	TOTAL SHEETS	SHEET NO.
ca:\pwork\pwork\dot\fasslermj\0149594\0208209-sh-typical.dgn	DRAWN -	REVISED -	22					15BR-1	WHITESIDE	146	11	
PLOT SCALE = 100.0000' / 1in.	CHECKED -	REVISED -	CONTRACT NO. 64F19									
PLOT DATE = Fri Jun 13 08:44:18 2014	DATE -	REVISED -	FED. ROAD DIST. NO. - ILLINOIS FED. AID PROJECT									