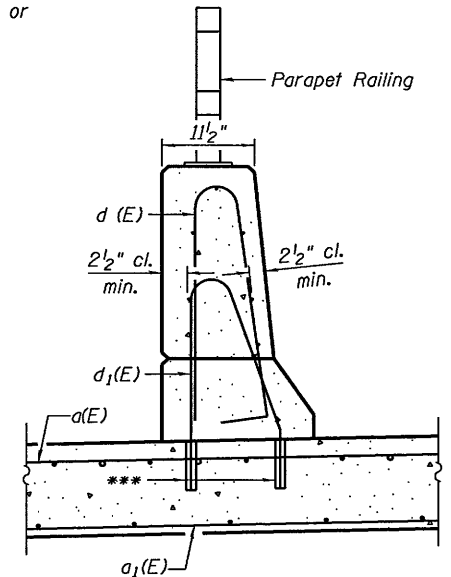


SECTION NEAR PIER

SECTION NEAR MIDSPAN

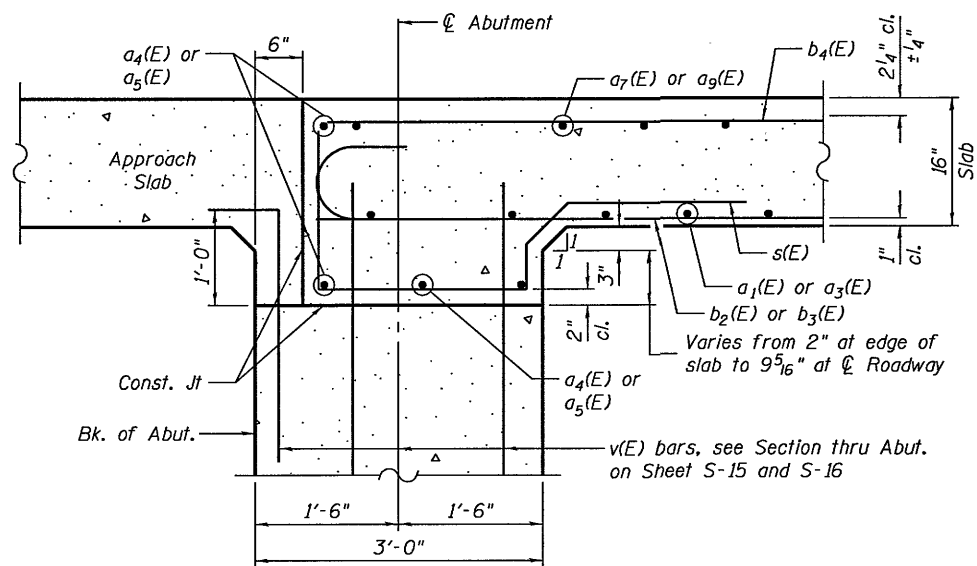
CROSS SECTION

(Looking North)



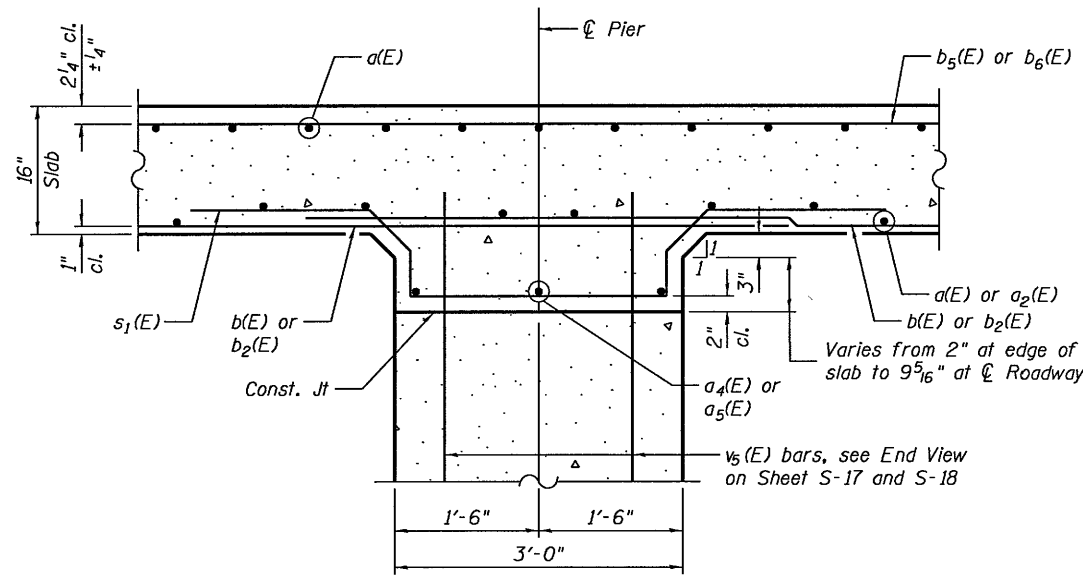
ALTERNATE PARAPET REINFORCEMENT FOR INTERIOR 34" F SHAPE PARAPET

***Core and set alternate #5 d1(E) bar according to Article 509.06 of the Standard Specifications. Cored holes shall be roughened or scored per manufacturer's recommendations. Maximum depth of hole shall not exceed 5/2".



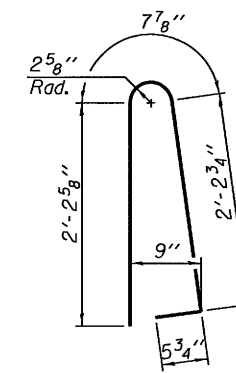
SECTION A-A

Horizontal dim's. at Rt. L's



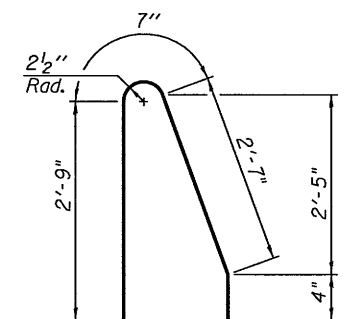
SECTION B-B

Horizontal dim's. at Rt. L's



BAR d(E)

Alternate



BAR d1(E)

Alternate

COMPANY NAME: HR GREEN, INC.
 PROJECT CONTACT: KEVIN J. BREEM
 CLIENT: ILLINOIS DEPARTMENT OF TRANSPORTATION
 DRAWN BY: J. B. BROWN
 FILE NAME: 090818-098-010-S16-SSS.dgn
 PLOT DRIVER: pdfwch.no.levelctrfg
 PEN TABLE: J:\tools\hrcf.tbl



USER NAME =	DESIGNED - MGH	REVISED
PLOT SCALE =	CHECKED - KJB	REVISED
PLOT DATE =	DRAWN - W.J.H.	REVISED
	CHECKED - KJB	REVISED

STATE OF ILLINOIS
 DEPARTMENT OF TRANSPORTATION

SUPERSTRUCTURE CROSS SECTION
 STRUCTURE NO. 098-0118

SHEET NO. S-10 OF S-23 SHEETS

F.A.P. RTE. 22	SECTION 15BR-1	COUNTY WHITESIDE	TOTAL SHEETS 146	SHEET NO. 68
				CONTRACT NO. 64F19
(ILLINOIS) FED. AID PROJECT				