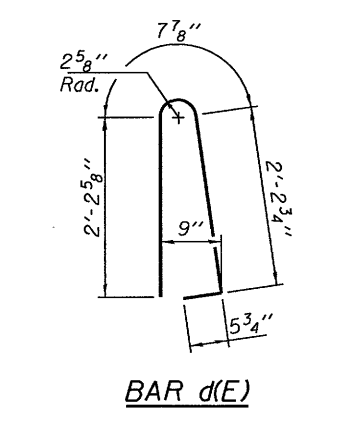
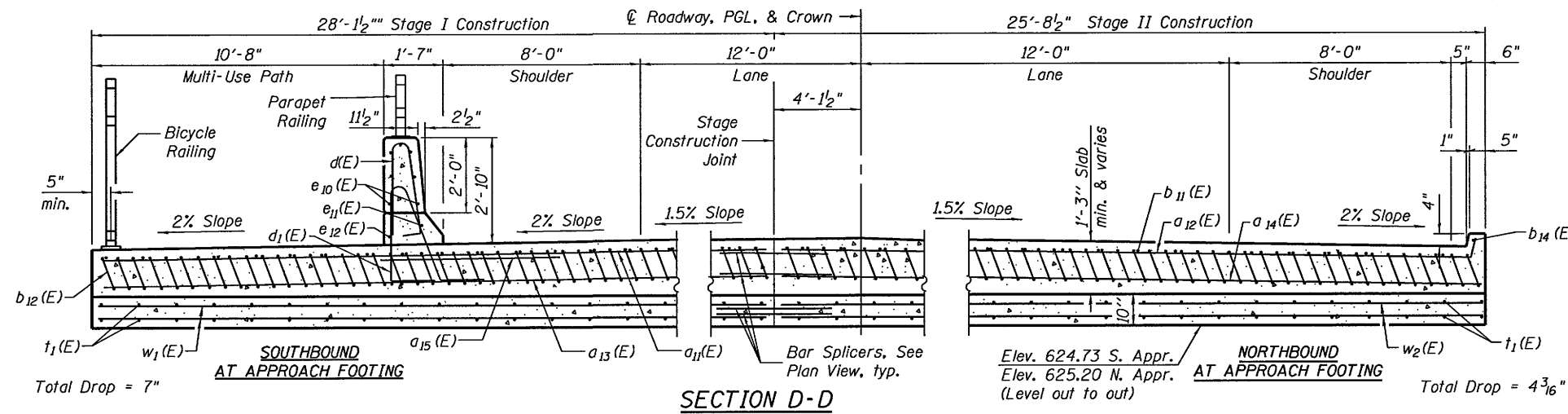
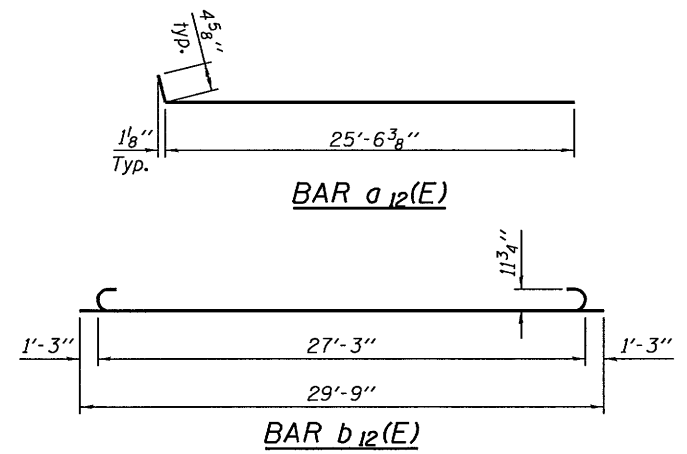
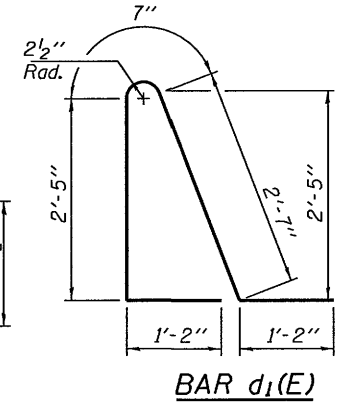
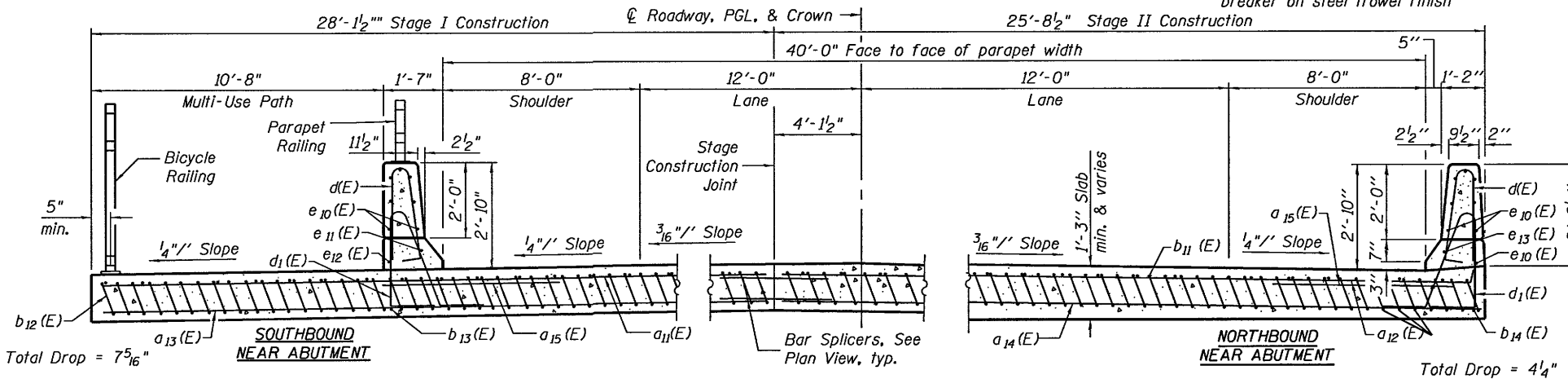


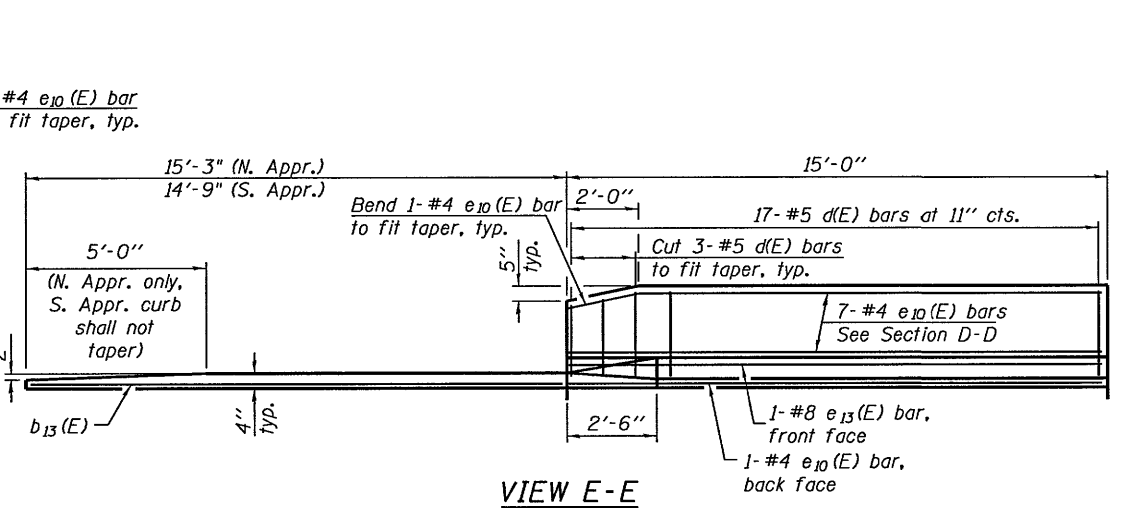
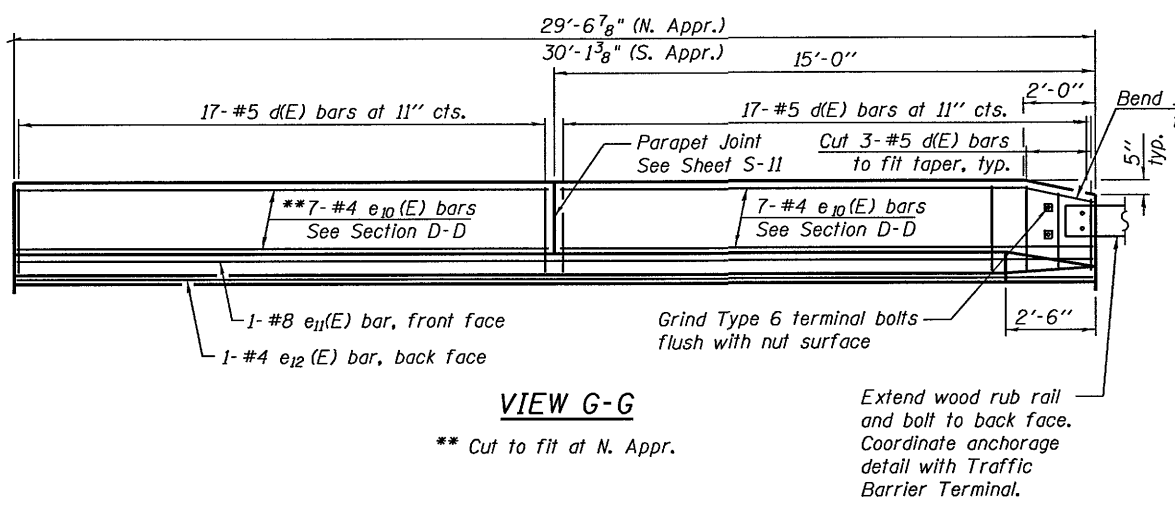
Notes:  
 See sheet S-13 for Detail A, View B-B, and View F-F.  
 Approach slab and parapet concrete shall be paid for as Concrete Superstructure.  
 Approach footing concrete shall be paid for as Concrete Structures.  
 Reinforcement shall be paid for as Reinforcement Bars, Epoxy Coated.  
 For  $v_1(E)$  bar details, see sheets S-15 and S-16.  
 The approach footing maximum applied service bearing pressure ( $Q_{max}$ ) = 2.0 ksf.  
 For bar splicer details, see sheet S-21.  
 Cost of excavation for approach footing included with Concrete Structures.  
 For Granular Backfill for Structures and drainage treatment details, see sheet S-2.  
 See Roadway Plans for Rub Rail Detail.

\* Tilt #9  $b_{12}(E)$  bars as required to maintain clearance.  
 \*\*\* Cost included with Concrete Superstructure.



**TWO APPROACHES  
 BILL OF MATERIAL**

Bar	No.	Size	Length	Shape
$a_{11}(E)$	50	#4	28'-9"	—
$a_{12}(E)$	50	#4	25'-11"	—
$a_{13}(E)$	92	#5	28'-9"	—
$a_{14}(E)$	92	#5	25'-7"	—
$a_{15}(E)$	72	#6	6'-6"	—
$b_{11}(E)$	88	#4	29'-8"	—
$b_{12}(E)$	256	#9	29'-9"	—
$b_{13}(E)$	2	#5	29'-8"	—
$b_{14}(E)$	4	#5	14'-8"	—
$d(E)$	102	#5	5'-7"	U
$d_1(E)$	102	#5	7'-11"	U
$e_{10}(E)$	42	#4	14'-8"	—
$e_{11}(E)$	2	#8	29'-8"	—
$e_{12}(E)$	2	#4	29'-8"	—
$e_{13}(E)$	2	#8	14'-8"	—
$t_1(E)$	216	#4	9'-8"	—
$w_1(E)$	80	#5	28'-9"	—
$w_2(E)$	80	#5	25'-7"	—
Concrete Structures			Cu. Yd.	33.8
Concrete Superstructure			Cu. Yd.	170.5
Reinforcement Bars, Epoxy Coated			Pound	43,570



COMPANY NAME: HR GREEN, INC.  
 PROJECT CONTACT: KEVIN J BREEM  
 CLIENT: ILLINOIS DEPARTMENT OF TRANSPORTATION  
 DATE PLOTTED: 1/27/2014 2:51:18 PM  
 FILE NAME: 090018-64F19-01-Sub.dgn  
 PLOT NAME: 64F19-01.dwg  
 PLOT TABLE:

HRGreen.com  
 Illinois Professional Design Firm  
 #184-001322

USER NAME =	DESIGNED - MGH	REVISED
PLLOT SCALE =	CHECKED - KJB	REVISED
PLLOT DATE =	DRAWN - RCB	REVISED
	CHECKED - MGH	REVISED

STATE OF ILLINOIS  
 DEPARTMENT OF TRANSPORTATION

BRIDGE APPROACH SLAB DETAILS

F.A.P. RTE. 22	SECTION 15BR-1	COUNTY WHITESIDE	TOTAL SHEETS 146	SHEET NO. 71
				CONTRACT NO. 64F19

SHEET NO. S-13 OF SC-2 SHEETS

(Sheet 2 of 2)

ILLINOIS FED. AID PROJECT