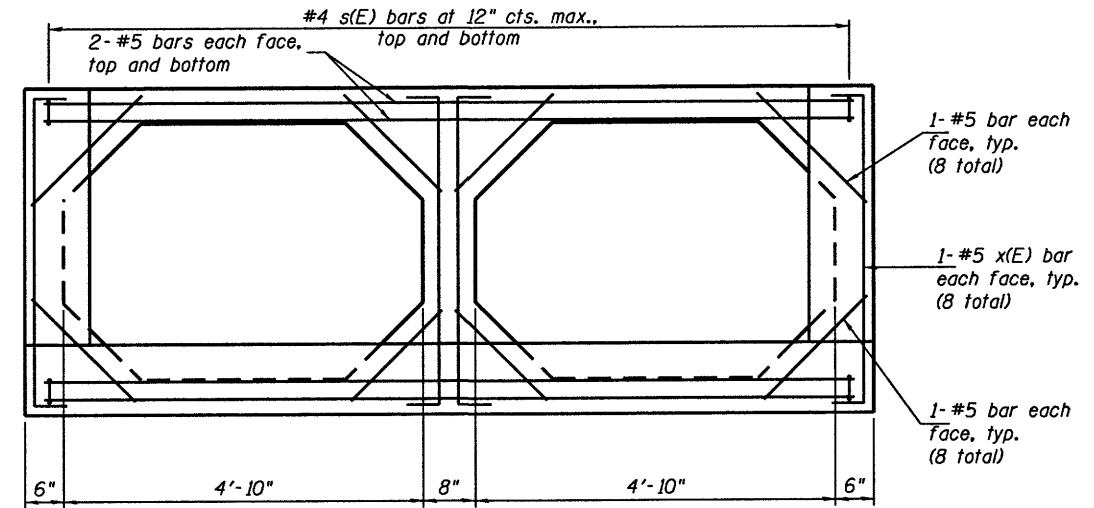
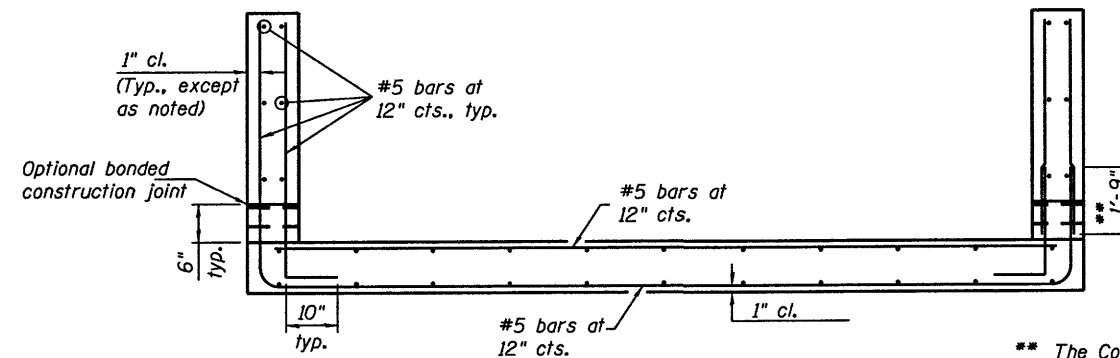


**LONGITUDINAL SECTION**  
(Showing bottom slab and backwall reinforcement.)

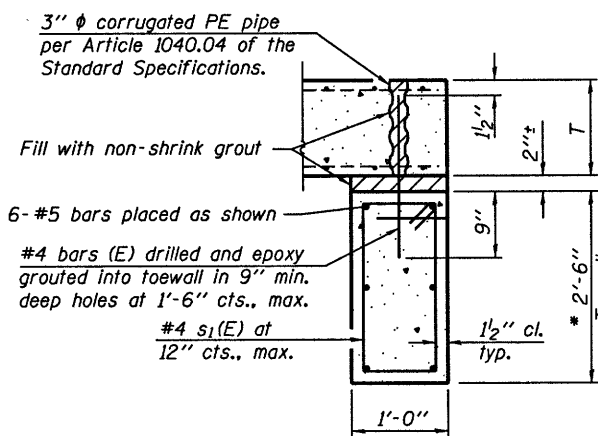


**SECTION B-B**  
(Showing backwall reinforcement only.)  
(Pipe omitted for clarity.)



**SECTION C-C**

\*\* The Contractor may use lap splices for the sidewall reinforcement at the locations shown. Lap splice locations shall be detailed in the shop drawings.

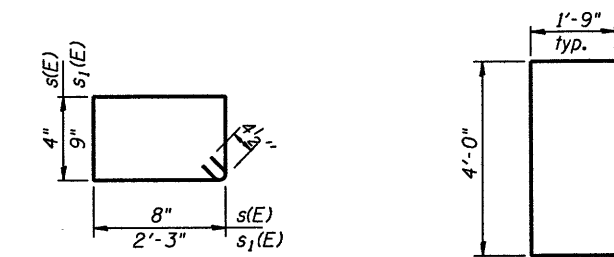


**SECTION D-D**

**TOEWALL CONSTRUCTION SEQUENCE**

1. Perform excavation and set precast toewall in place.
2. Backfill accordingly and place bedding for precast culvert end sections.
3. Set precast culvert end sections in place.
4. Drill and epoxy grout reinforcement in toewall according to Section 584 of the Standard Specifications.
5. Pressure grout voids using non-shrink grout conforming to Section 1024 of the Standard Specifications.

\* The Contractor shall furnish a precast toewall. The Contractor shall be responsible for the strength and stability of the precast toewall during handling. Additional lifting points may be required depending upon the length of the toewall or the Contractor may need to modify the design of the toewall for the proposed handling method.



**BAR s(E) and s1(E)**

**BAR x(E)**

(Sheet 2 of 3)

COMPANY NAME: HR GREEN, INC.  
PROJECT CONTACT: KEVIN J BRENN  
CLIENT: ILLINOIS DEPARTMENT OF TRANSPORTATION  
DATE PLOTTED: 10/21/2013 4:07:42 PM  
FILE NAME: EndSection-64F19.dwg  
PLOT DRIVER: PLOT01  
PEN TABLE: Struct 11x17.tbl



USER NAME =	DESIGNED - MGH	REVISED -
PLOT SCALE =	CHECKED - KJB	REVISED -
PLOT DATE =	DRAWN - WJH	REVISED -
	CHECKED - MGH	REVISED -

**STATE OF ILLINOIS  
DEPARTMENT OF TRANSPORTATION**

**PRECAST CULVERT END  
SECTIONS WITH PIPE GRATES**

SHEET NO. SC-2 OF SC-3 SHEETS

F.A. RTE.	SECTION	COUNTY	TOTAL SHEETS	SHEET NO.
22	15BR-1	WHITESIDE	146	91
CONTRACT NO.			64F19	
ILLINOIS FED. AID PROJECT				