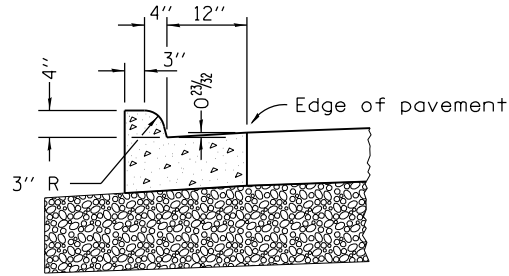
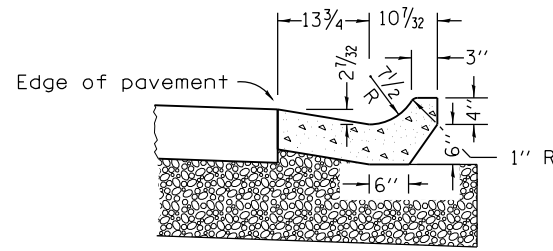


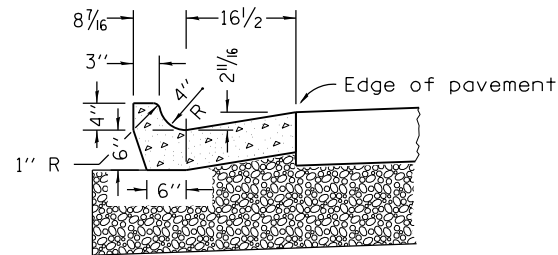
# OUTLET FOR COMBINATION CONCRETE CURB AND GUTTER, TYPE M-4.12



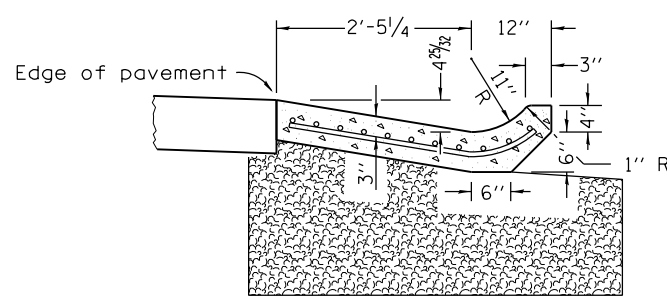
**SECTION A-A**



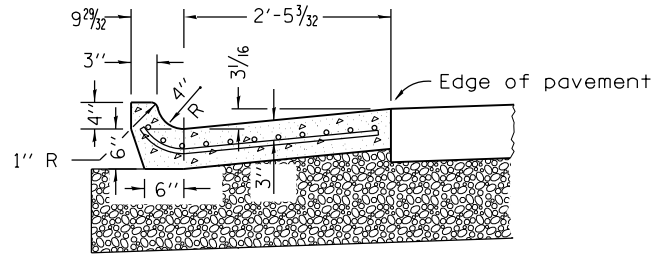
**SECTION G-G**



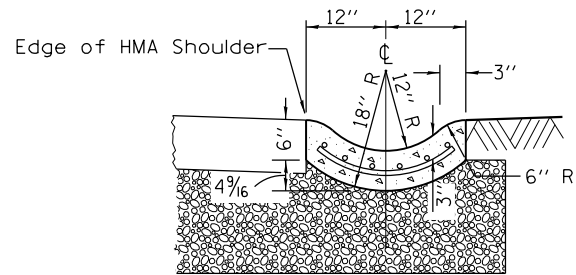
**SECTION B-B**



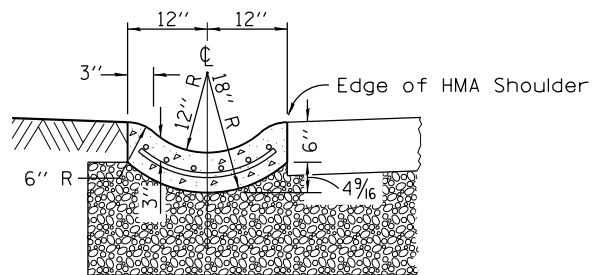
**SECTION H-H**



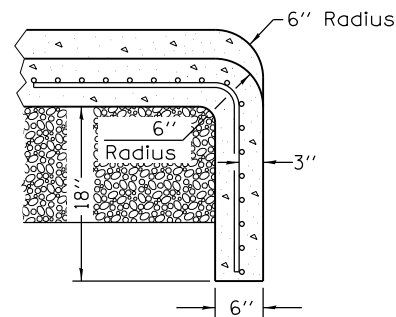
**SECTION C-C**



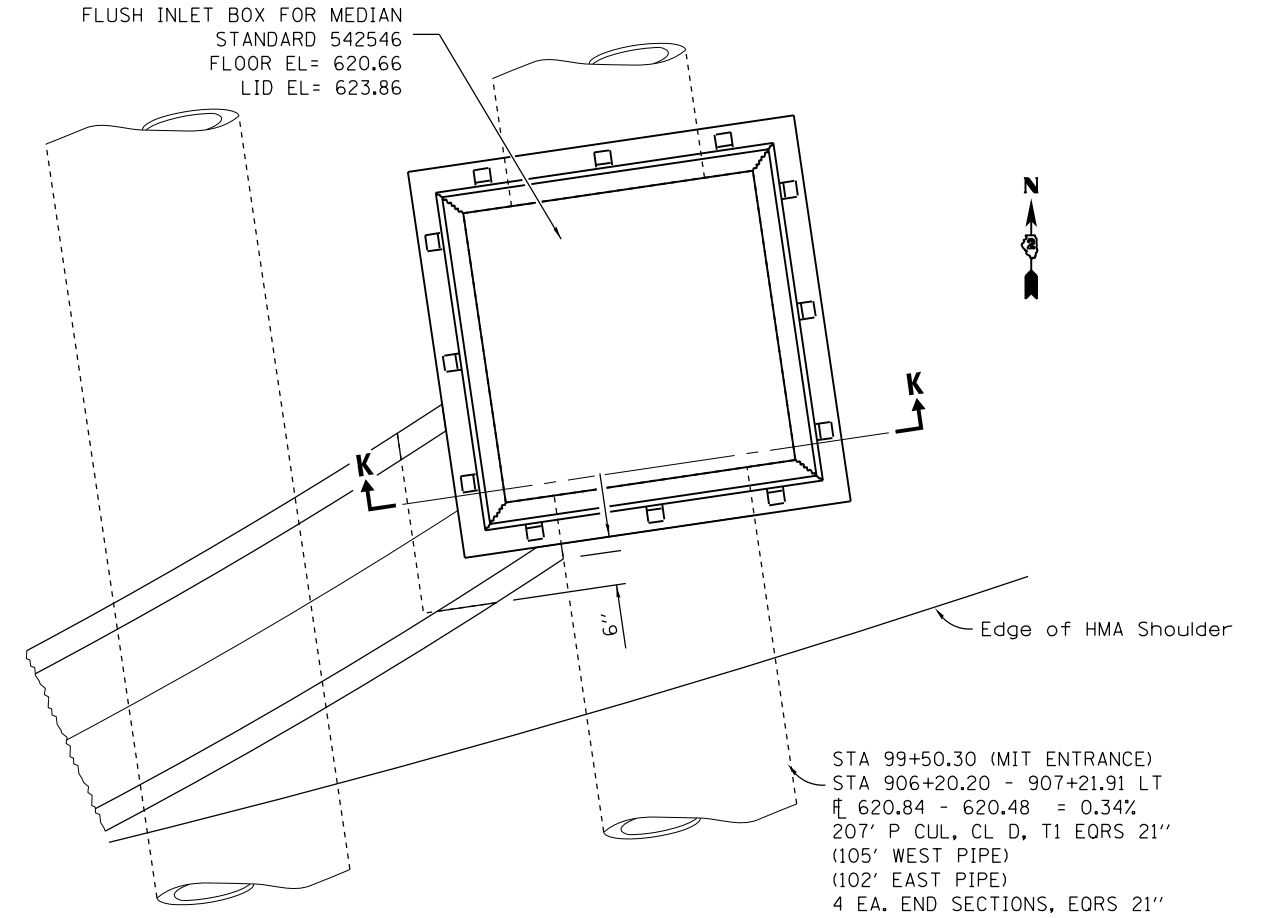
**SECTION I-I**



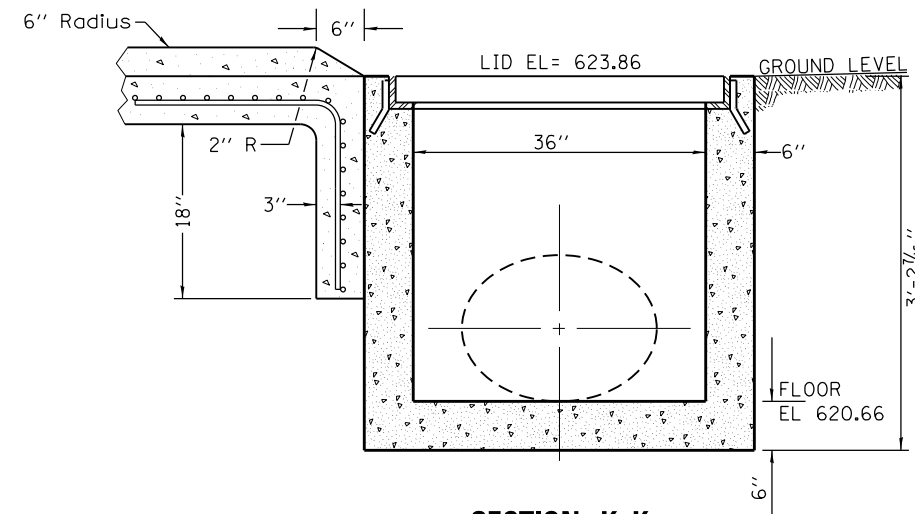
**SECTION D-D**



**SECTION J-J**



**PLAN**  
(Grating omitted for clarity)



**SECTION K-K**

FILE NAME =	USER NAME = Fasslermj	DESIGNED -	REVISED -
ca:\pw_work\pwidot\fasslermj\d0149594\0208209-shit-details.dgn		DRAWN -	REVISED -
	PLOT SCALE = 60.0000' / in.	CHECKED -	REVISED -
	PLOT DATE = Fri Jun 13 11:31:19 2014	DATE -	REVISED -

STATE OF ILLINOIS  
DEPARTMENT OF TRANSPORTATION

OUTLET FOR COMBINATION CONCRETE CURB AND GUTTER, TYPE M-4.12	
SCALE: _____	SHEET NO. 2 OF 2 SHEETS
STA. _____	TO STA. _____

• IL 78				
F.A.P. RTE.	SECTION	COUNTY	TOTAL SHEETS	SHEET NO.
• 22	15BR-1	WHITESIDE	146	105
CONTRACT NO. 64F19				
ILLINOIS FED. AID PROJECT				