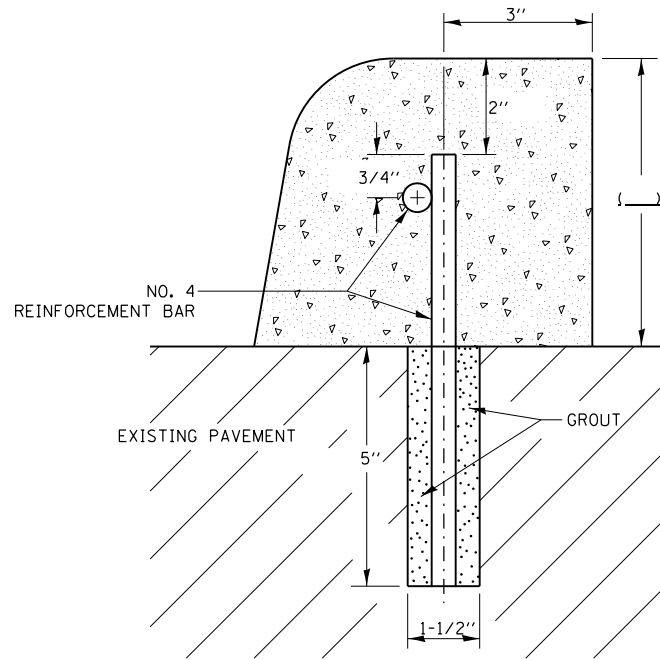


CONCRETE CURB SPECIAL



CONCRETE CURB SPECIAL SHALL BE CONSTRUCTED IN ACCORDANCE WITH SECTION 606 OF THE STANDARD SPECIFICATIONS, SUPPLEMENTAL SPECIFICATIONS, STANDARD 606001 AND THIS DRAWING.

CLASS S1 CONCRETE SHALL BE USED THROUGHOUT.

HOLES 1-1/2" Ø AND 5" DEEP SHALL BE DRILLED IN THE EXISTING CONCRETE PAVEMENT AT 5'-0" CENTERS. NO. 4 REINFORCEMENT BARS () LONG SHALL BE GROUTED IN THE HOLES AND A NO. 4 REINFORCEMENT BAR SHALL BE INSTALLED LONGITUDINALLY IN THE CURB.

JOINTS OF A TYPE SIMILAR TO THAT IN THE UNDERLYING PAVEMENT (EXPANSION OR CONTRACTION) SHALL BE INSTALLED IN THE CONCRETE CURB IN ALIGNMENT WITH THE JOINTS IN THE PAVEMENT.

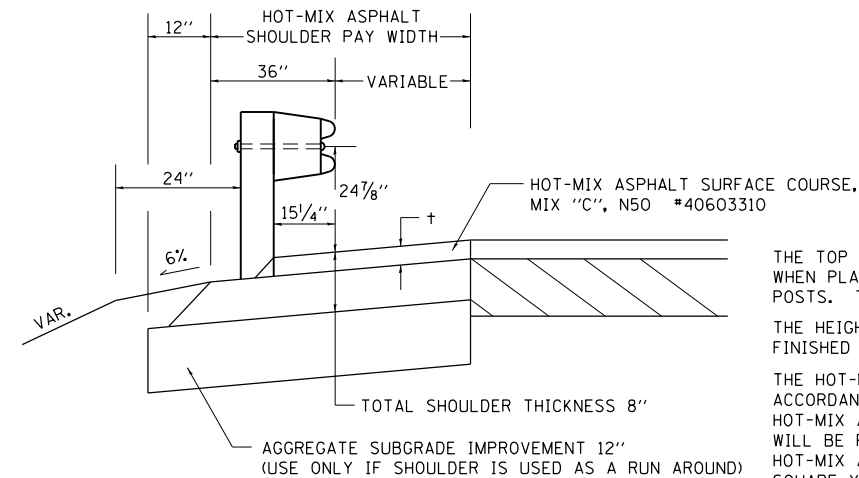
THE COST OF ALL MATERIALS AND LABOR REQUIRED TO INSTALL THE JOINTS AND REINFORCEMENT BARS IN THE CURB SHALL BE INCLUDED IN THE CONTRACT UNIT PRICE FOOT FOR CONCRETE CURB (SPECIAL).

REVISED - 9-16-11

ALL DIMENSIONS ARE IN INCHES UNLESS OTHERWISE NOTED.

CONCRETE CURB SPECIAL 11.4

DETAIL OF HOT-MIX ASPHALT SHOULDER AT GUARDRAIL



+ = SEE TYPICAL SECTIONS FOR THICKNESS

GENERAL NOTES

THE TOP LIFT SHALL NOT BE PLACED BEHIND THE GUARDRAIL POSTS. WHEN PLACING THE TOP LIFT THE RAIL MUST BE REMOVED FROM THE POSTS. THE POST SHALL NOT BE REMOVED.

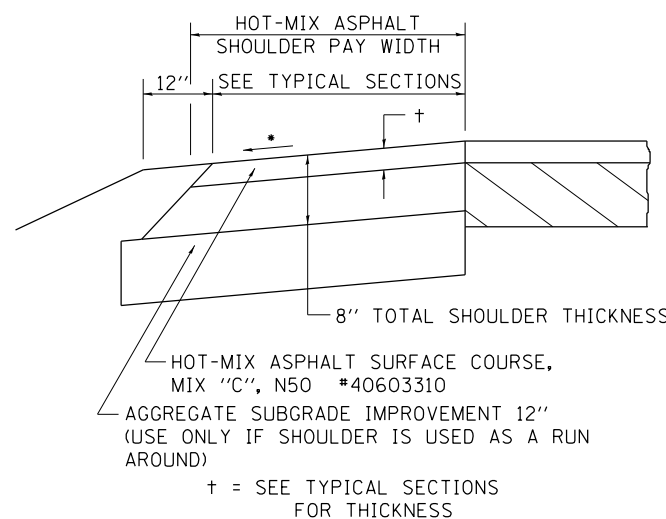
THE HEIGHT OF THE GUARDRAIL SHALL BE SET 24 7/8" FROM THE FINISHED SURFACE.

THE HOT-MIX ASPHALT SHOULDER SHALL BE CONSTRUCTED IN ACCORDANCE WITH SECTION 482 EXCEPT THE TOP LIFT SHALL BE HOT-MIX ASPHALT SURFACE COURSE, MIXTURE C, N50. THE WORK WILL BE PAID FOR AT THE CONTRACT UNIT PRICE PER TON FOR HOT-MIX ASPHALT SURFACE COURSE, MIXTURE "C", N50 AND SQUARE YARD FOR HOT-MIX ASPHALT SHOULDERS OF THE THICKNESS SPECIFIED. THE REMOVAL & REINSTALLATION OF THE GUARDRAIL WILL BE INCLUDED IN THE COST OF THE HOT-MIX ASPHALT SURFACE COURSE, MIXTURE C, N50.

REVISED - 8-273
REVISED - 3-13-13

DETAIL OF HOT-MIX ASPHALT SHOULDER AT GUARDRAIL 23.4

HOT-MIX ASPHALT SHOULDER



GENERAL NOTES

THE HOT-MIX ASPHALT SHOULDER SHALL BE CONSTRUCTED IN ACCORDANCE WITH SECTION 482 EXCEPT THE TOP LIFT SHALL BE HOT-MIX ASPHALT SURFACE COURSE, MIX "C", N50 #40603310. THE WORK WILL BE PAID FOR AT THE CONTRACT UNIT PRICE PER TON FOR HOT-MIX ASPHALT SURFACE COURSE, MIX "C", N50 #40603310 AND SQUARE YARD FOR HOT-MIX ASPHALT SHOULDERS OF THE THICKNESS SPECIFIED.

USE HOT-MIX ASPHALT SURFACE COURSE, MIX "C", N50 #40603310. WHEN RESURFACING EXISTING HOT-MIX ASPHALT SHOULDERS. THE THICKNESS IS SHOWN ON THE TYPICAL SECTIONS. THIS WORK WILL BE PAID FOR AT THE CONTRACT UNIT PRICE PER TON FOR HOT-MIX ASPHALT SURFACE COURSE, MIX "C", N50 #40603310.

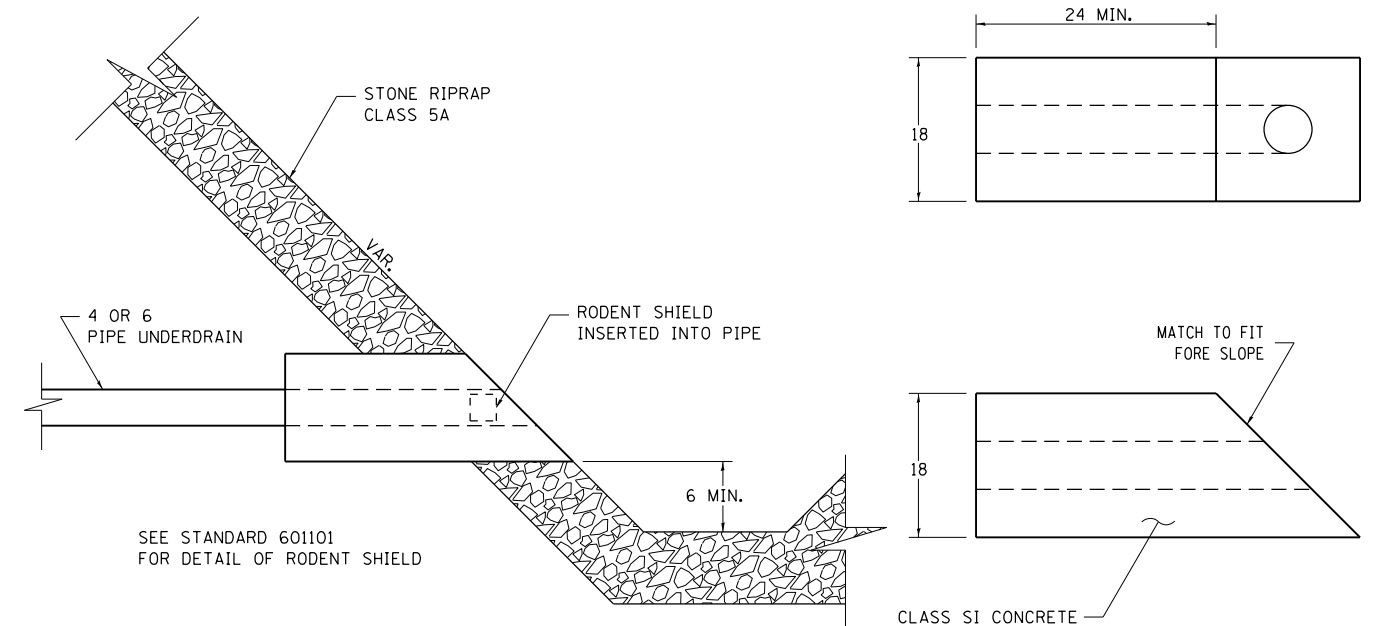
REMOVAL OF MATERIAL FOR PLACEMENT OF THE HOT-MIX ASPHALT SHOULDER TO BE PAID FOR IN UNITS FOR EXCAVATING AND GRADING EXISTING SHOULDERS OR IN CUBIC YARDS FOR EARTH EXCAVATION OR EARTH EXCAVATION WIDENING.

* 4% WHEN MAINLINE IS ON TANGENT. FOR CROSS SLOPE ON SUPERELEVATION SECTION, SEE HIGHWAY STANDARD 482001 OR 482006.

REVISED - 3-13-13

HOT-MIX ASPHALT SHOULDER 23.4a

CONCRETE HEADWALLS FOR PIPE DRAINS



ALL DIMENSIONS ARE IN INCHES UNLESS OTHERWISE NOTED. • IL 78

REVISED - 10-03-11	REGION 2 / DISTRICT 2 STANDARD		F.A.P. RTE. #22	SECTION 15BR-1	COUNTY WHITESIDE	TOTAL SHEETS 146	SHEET NO. 109
REVISED -	SCALE: 1/2" = 1'-0"	SHEET NO. OF SHEETS	STA. TO STA.	CONTRACT NO. 64F19		FED. ROAD DIST. NO. ILLINOIS FED. AID PROJECT	

CONCRETE HEADWALLS FOR PIPE DRAINS 27.4

PLOT DATE = Fri Jun 13 12:00:29 2014