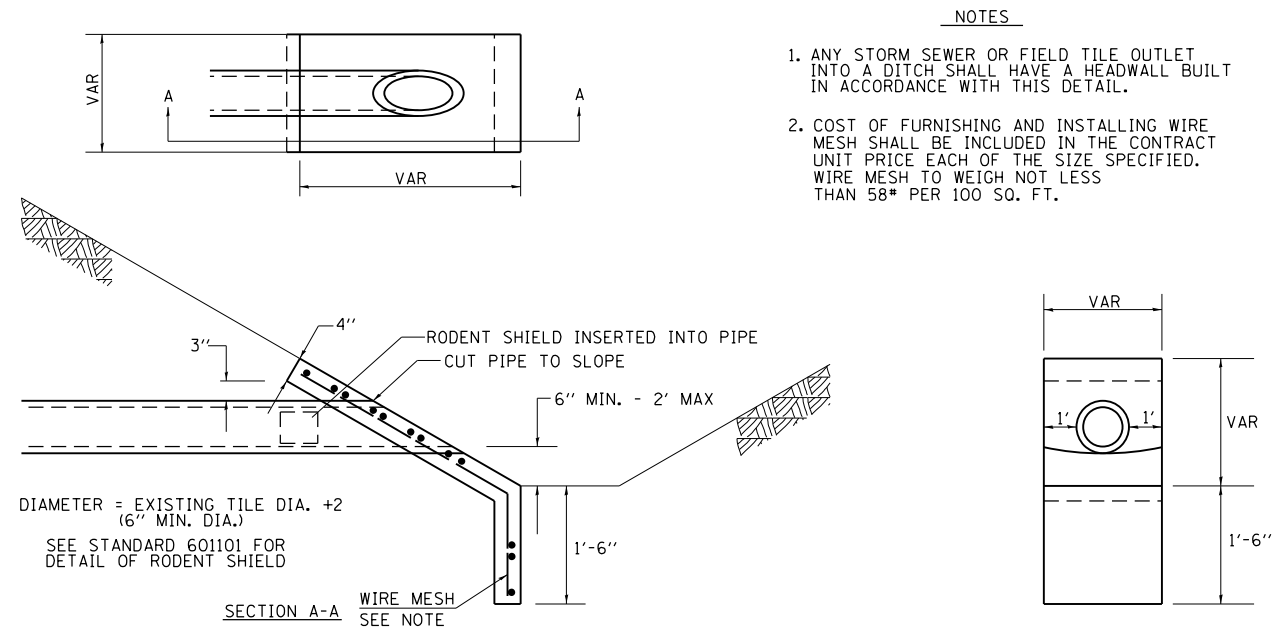


CAST-IN-PLACE REINFORCED CONCRETE END SECTIONS

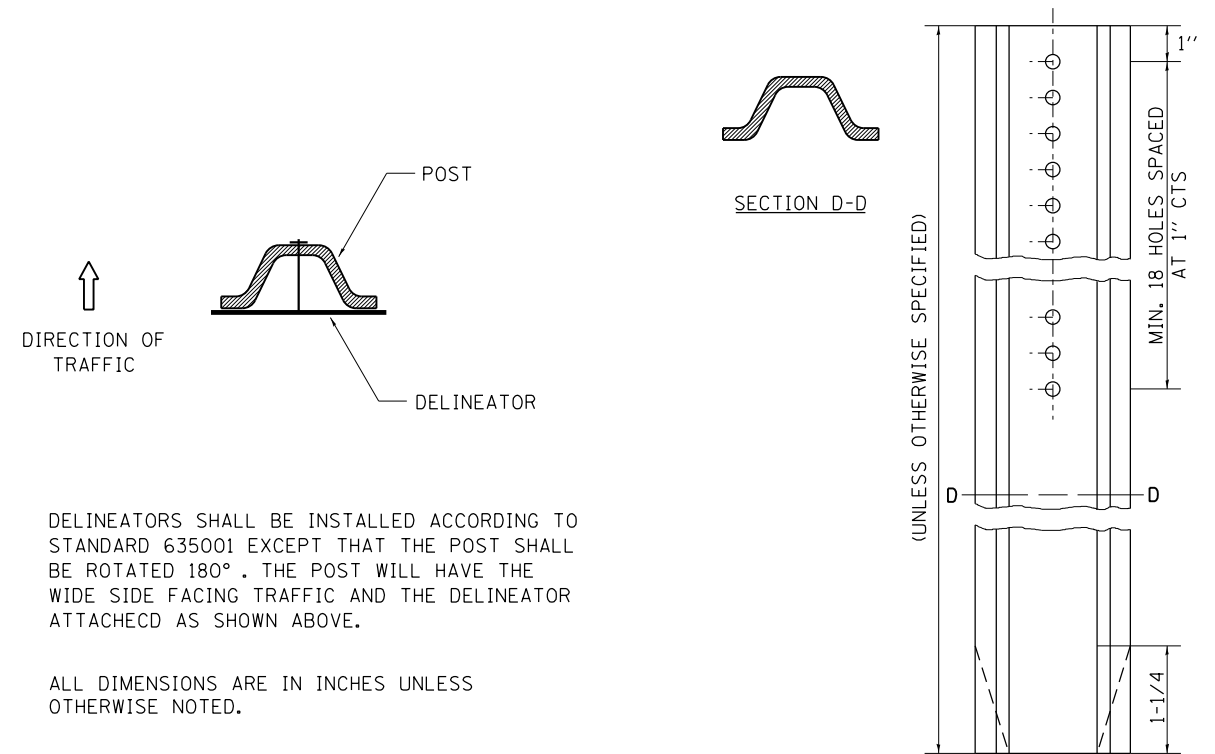


- NOTES**
1. ANY STORM SEWER OR FIELD TILE OUTLET INTO A DITCH SHALL HAVE A HEADWALL BUILT IN ACCORDANCE WITH THIS DETAIL.
 2. COST OF FURNISHING AND INSTALLING WIRE MESH SHALL BE INCLUDED IN THE CONTRACT UNIT PRICE EACH OF THE SIZE SPECIFIED. WIRE MESH TO WEIGH NOT LESS THAN 58* PER 100 SQ. FT.

REVISED - 10-09-12

CAST-IN-PLACE REINFORCED CONCRETE END SECTIONS 28.4

DELINEATOR AND POST ORIENTATION



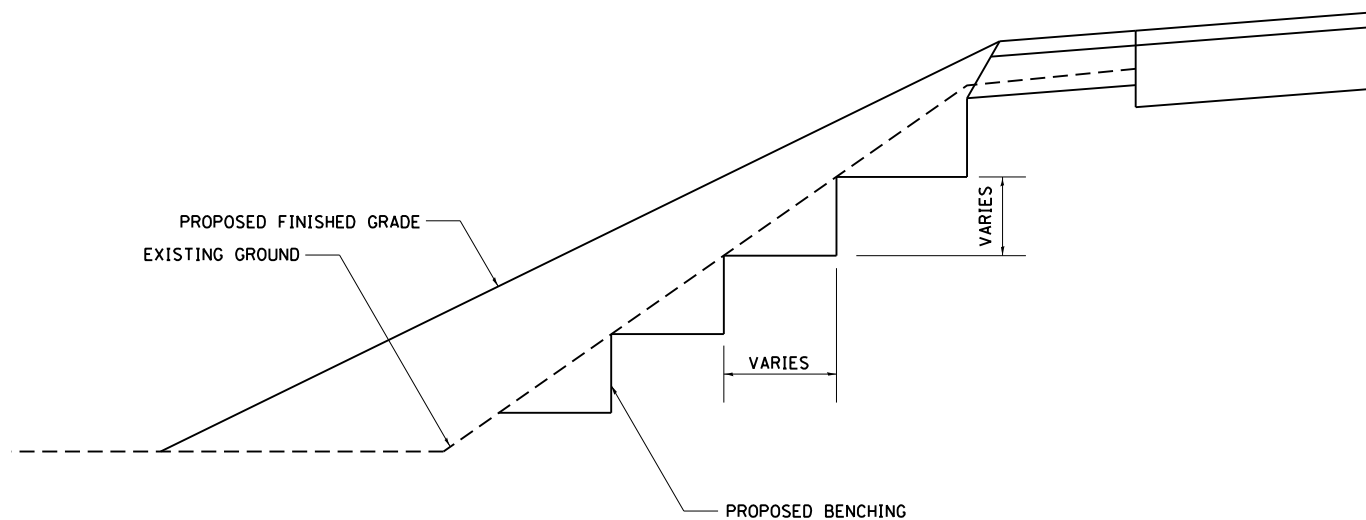
DELINEATORS SHALL BE INSTALLED ACCORDING TO STANDARD 635001 EXCEPT THAT THE POST SHALL BE ROTATED 180°. THE POST WILL HAVE THE WIDE SIDE FACING TRAFFIC AND THE DELINEATOR ATTACHED AS SHOWN ABOVE.

ALL DIMENSIONS ARE IN INCHES UNLESS OTHERWISE NOTED.

REVISED - 10-03-11

DELINEATOR AND POST ORIENTATION 37.4

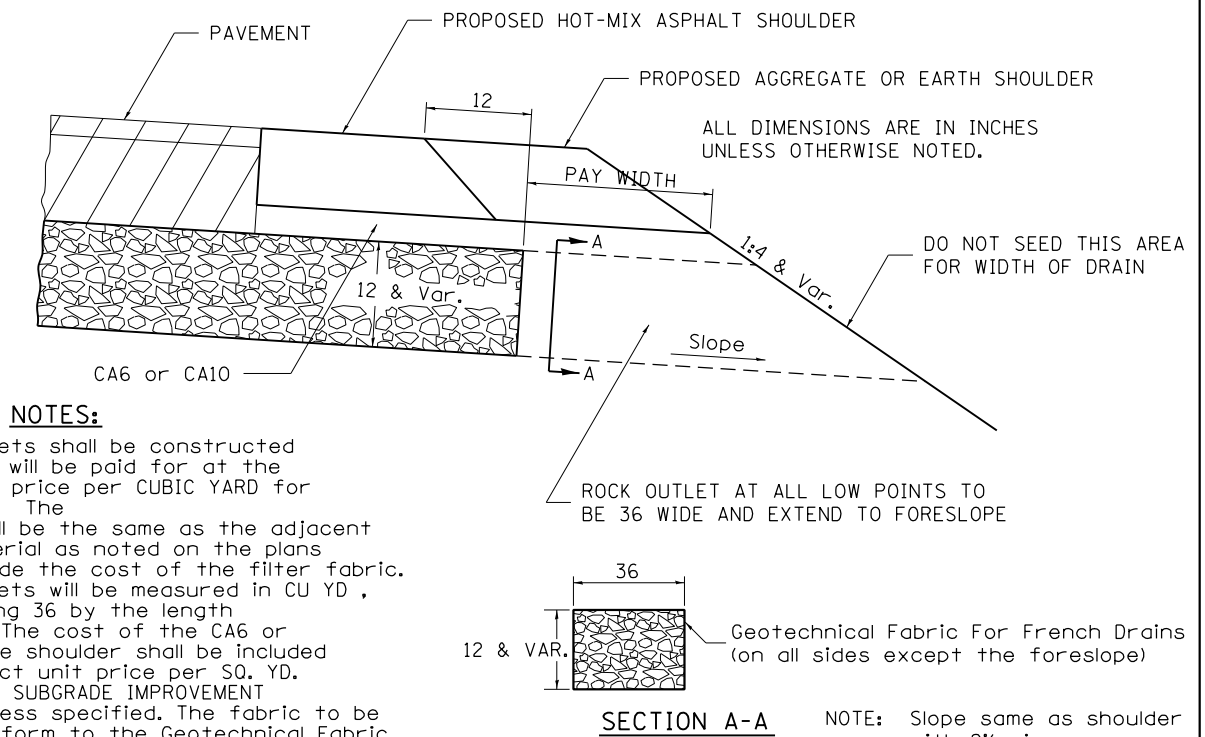
TYPICAL BENCHING ON EXISTING EMBANKMENT



REVISED - 2-22-06

TYPICAL BENCHING ON EXISTING EMBANKMENT 50.4

DRAIN FOR AGGREGATE BASE COURSE



NOTES:
The rock outlets shall be constructed using CA7 and will be paid for at the contract unit price per CUBIC YARD for FRENCH DRAINS. The thickness shall be the same as the adjacent sub-base material as noted on the plans and shall include the cost of the filter fabric. The Rock outlets will be measured in CU YD, the width being 36 by the length shown above. The cost of the CA6 or CA10 under the shoulder shall be included in the contract unit price per SQ. YD. for AGGREGATE SUBGRADE IMPROVEMENT of the thickness specified. The fabric to be used shall conform to the Geotechnical Fabric For French Drains

• IL 78

REVISED - 8-27-13	REGION 2 / DISTRICT 2 STANDARD	F.A.P. RTE.	SECTION	COUNTY	TOTAL SHEETS	SHEET NO.
REVISED - 10-09-12		22	15BR-1	WHITESIDE	146	110
REVISED -		CONTRACT NO. 64E19				
REVISED -		SCALE: 1/2" = 1'-0"	SHEET NO. ___ OF ___ SHEETS	STA. _____ TO STA. _____	FED. ROAD DIST. NO. - ILLINOIS FED. AID PROJECT	

DRAIN FOR AGGREGATE BASE COURSE 96.4

PLOT DATE = Fri Jun 13 12:00:51 2014