

STOP LINE SIGN FOR TEMPORARY SIGNALS



SIZE: 24 x 24
 4 CAPITAL LETTERS - BLACK
 1/2 BORDER - BLACK
 WHITE REFLECTIVE - TYPE AP
 HIGH INTENSITY PRISMATIC SHEETING

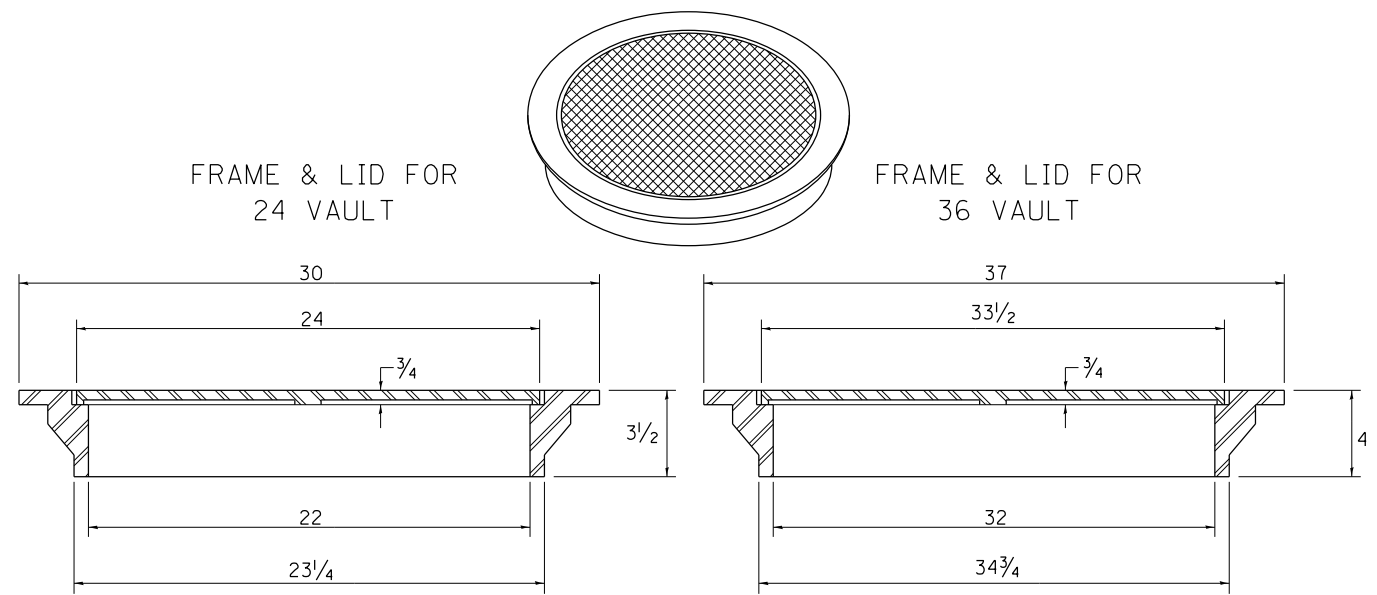
GENERAL NOTE:

THIS SIGN SHALL BE INSTALLED AT THE STOP LINE AS DIRECTED BY ENGINEER.
 ALL DIMENSIONS ARE IN INCHES UNLESS OTHERWISE NOTED.

REVISED - 10-11-11

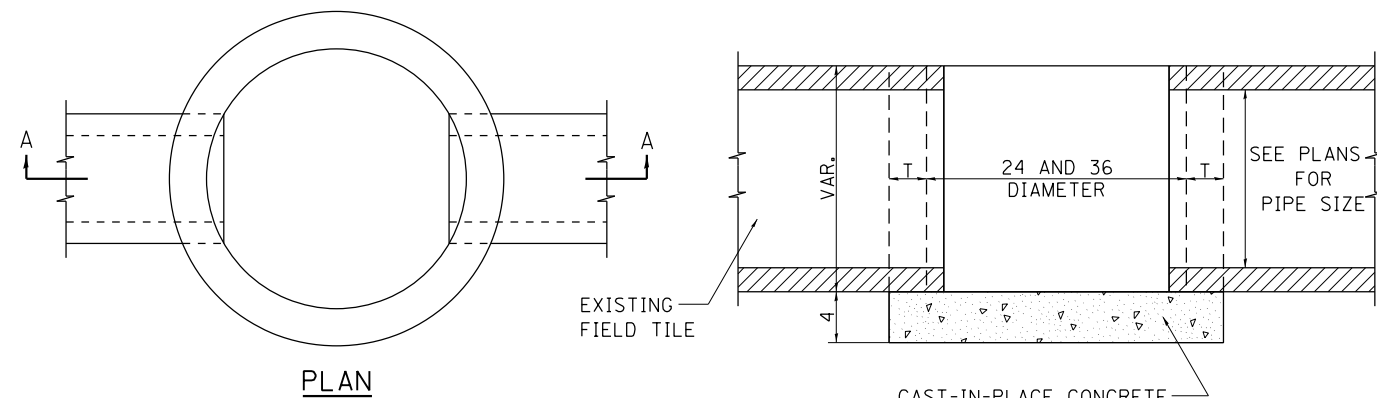
STOP LINE SIGN FOR TEMPORARY SIGNALS 99.4

FIELD TILE JUNCTION VAULTS 24 AND 36 DIA.



TOTAL WEIGHT: 146 LBS.

TOTAL WEIGHT: 280 LBS.



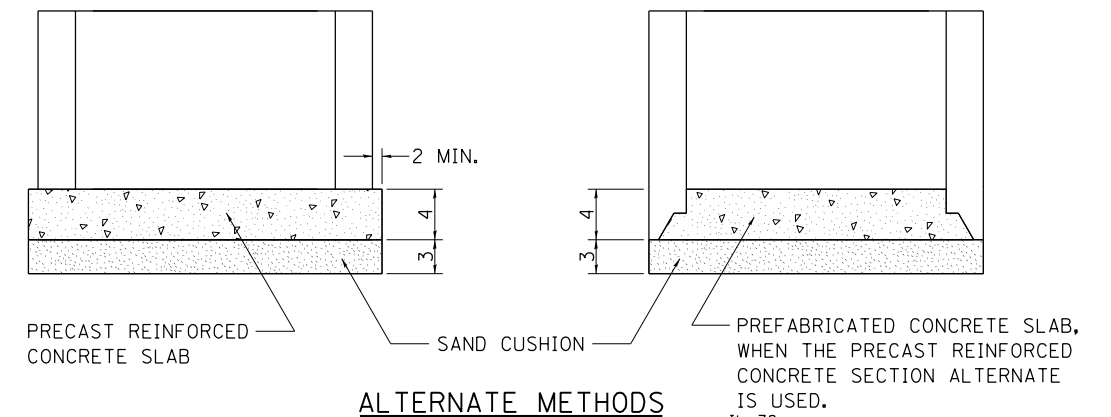
PLAN

SECTION A-A

ALTERNATE MATERIALS FOR WALLS	T
BRICK MASONRY	8
CAST-IN-PLACE CONCRETE	6
CONCRETE MASONRY UNIT	5
PRECAST REINFORCED CONCRETE SECTION	3

NOTE: THE FRAME AND LID IS REQUIRED ON ALL JUNCTION VAULTS.

ALL DIMENSIONS ARE IN INCHES UNLESS OTHERWISE NOTED.



ALTERNATE METHODS

REVISED - 10-14-11	REGION 2 / DISTRICT 2 STANDARD	F.A.P. R.T.E.	SECTION	COUNTY	TOTAL SHEETS	SHEET NO.
REVISED -		+22	15BR-1	WHITESIDE	146	111
REVISED -		CONTRACT NO. 64F19				
REVISED -		FED. ROAD DIST. NO. ILLINOIS FED. AID PROJECT				