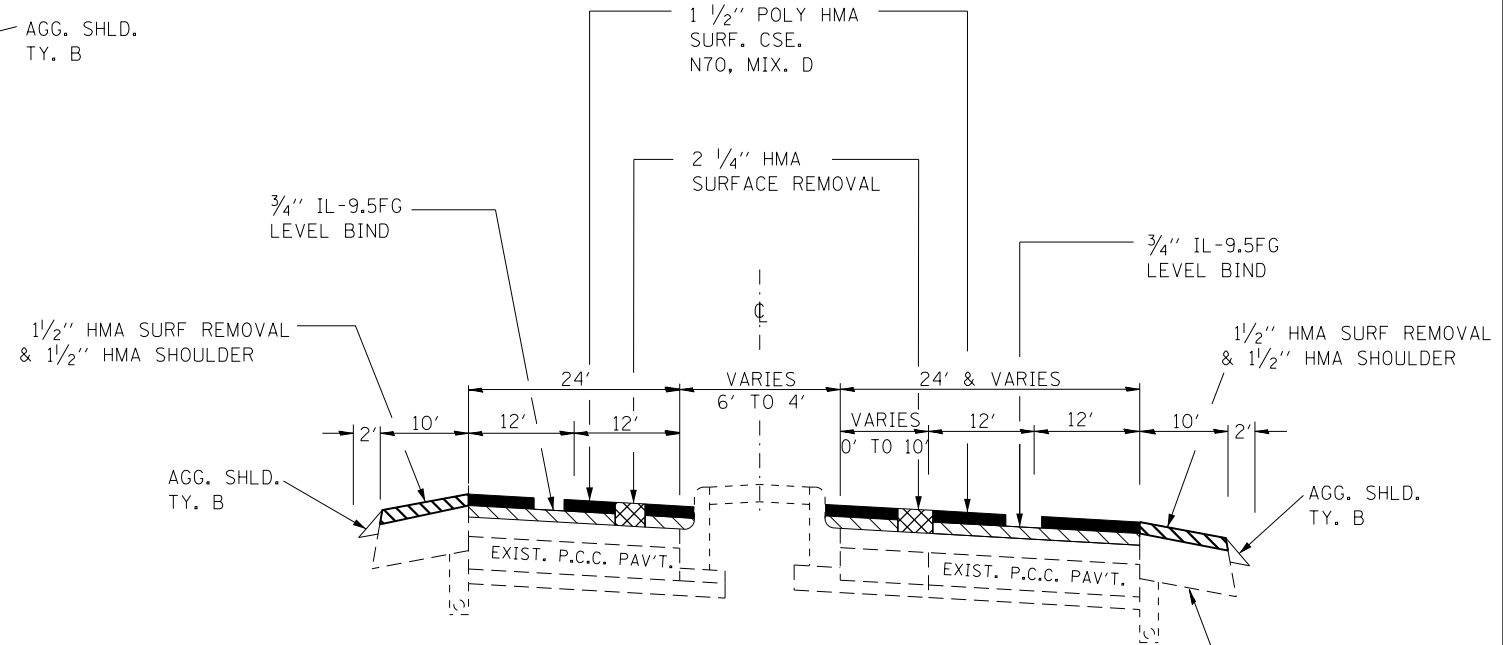
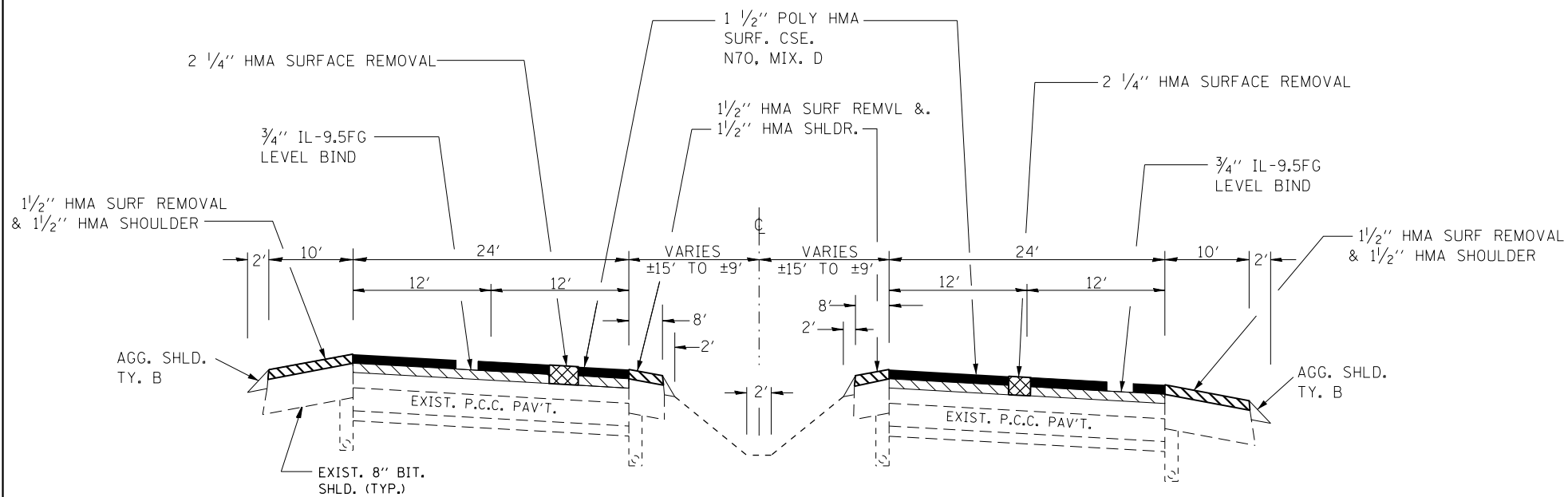


TYPICAL SECTION NO. 13
STA. 94+40 TO STA. 100+20



TYPICAL SECTION NO. 14
STA. 130+00 TO STA. 143+10.67



TYPICAL SECTION NO. 15
STA. 125+59.29 TO STA. 130+00

FILE NAME =	USER NAME = duncanbd	DESIGNED -	REVISED -
et:\pwork\pwork\dot\duncanbd\0296614\036607-sh-typical.dgn		DRAWN -	REVISED -
PLOT SCALE = 5000.0000' / in.		CHECKED -	REVISED -
PLOT DATE = 6/14/2014		DATE -	REVISED -

**STATE OF ILLINOIS
DEPARTMENT OF TRANSPORTATION**

TYPICAL SECTIONS			
SCALE:	SHEET	OF SHEETS	STA. TO STA.

F.A.P. RTE.	SECTION	COUNTY	TOTAL SHEETS	SHEET NO.
46	(1,12)RS-4	LASALLE	54	14
CONTRACT NO. 66C07				
ILLINOIS FED. AID PROJECT				