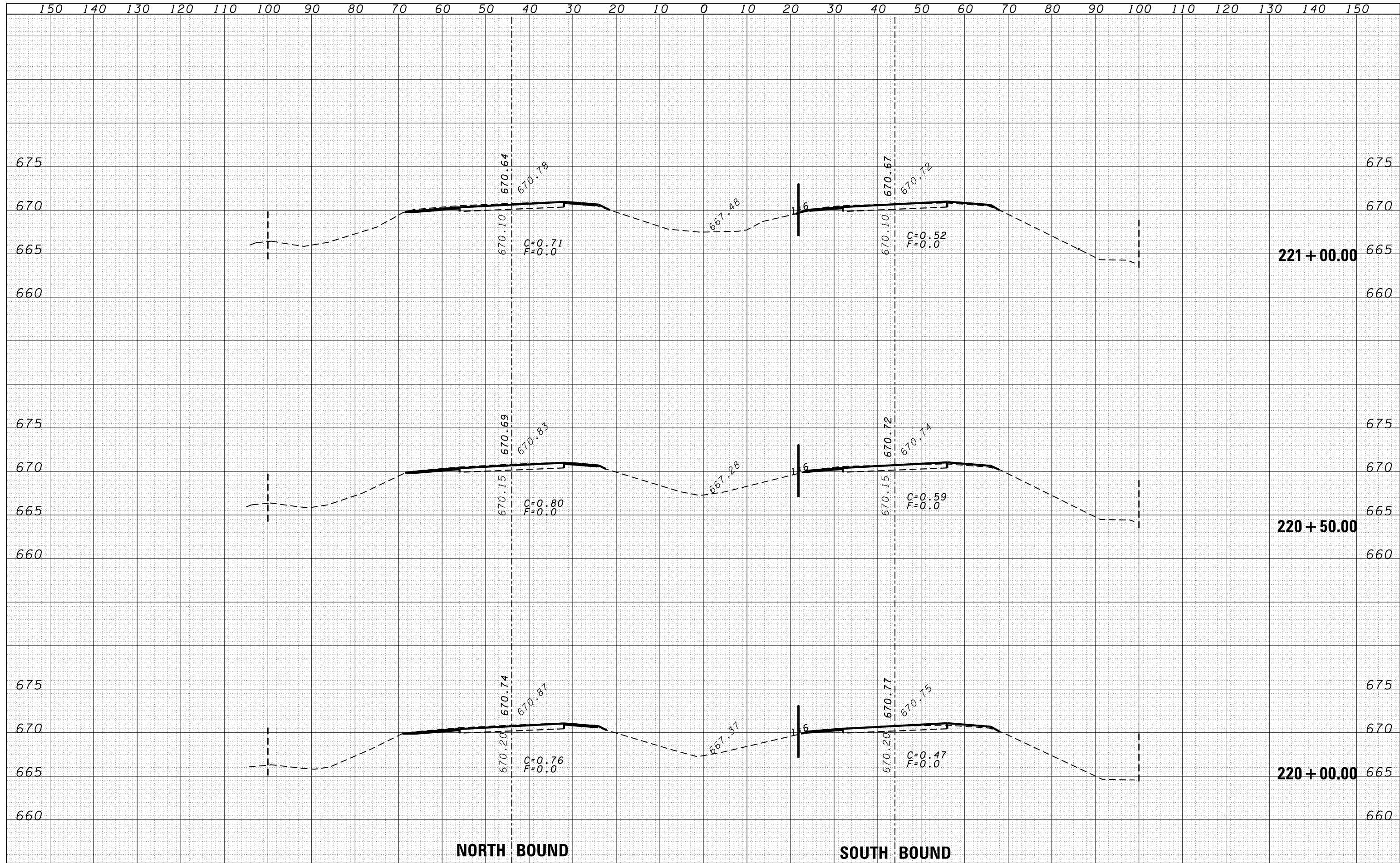


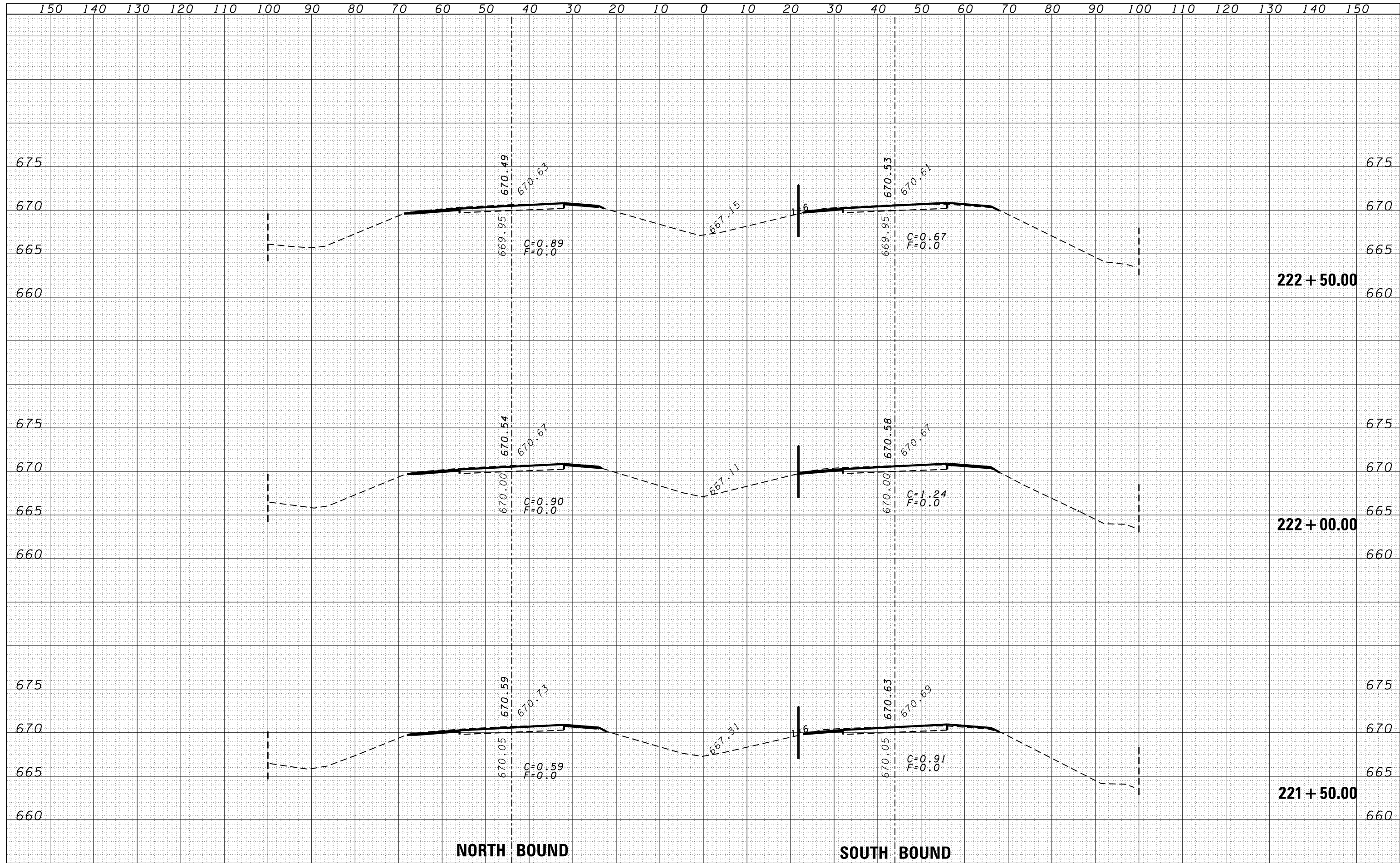
| | |
|----------|--|
| DATE | |
| BY | |
| SURVEYED | |
| PLOTTED | |
| TEMPLATE | |
| AREAS | |
| CHECKED | |
| NO. | |

| | |
|----------|--|
| DATE | |
| BY | |
| SURVEYED | |
| PLOTTED | |
| TEMPLATE | |
| AREAS | |
| CHECKED | |
| NO. | |



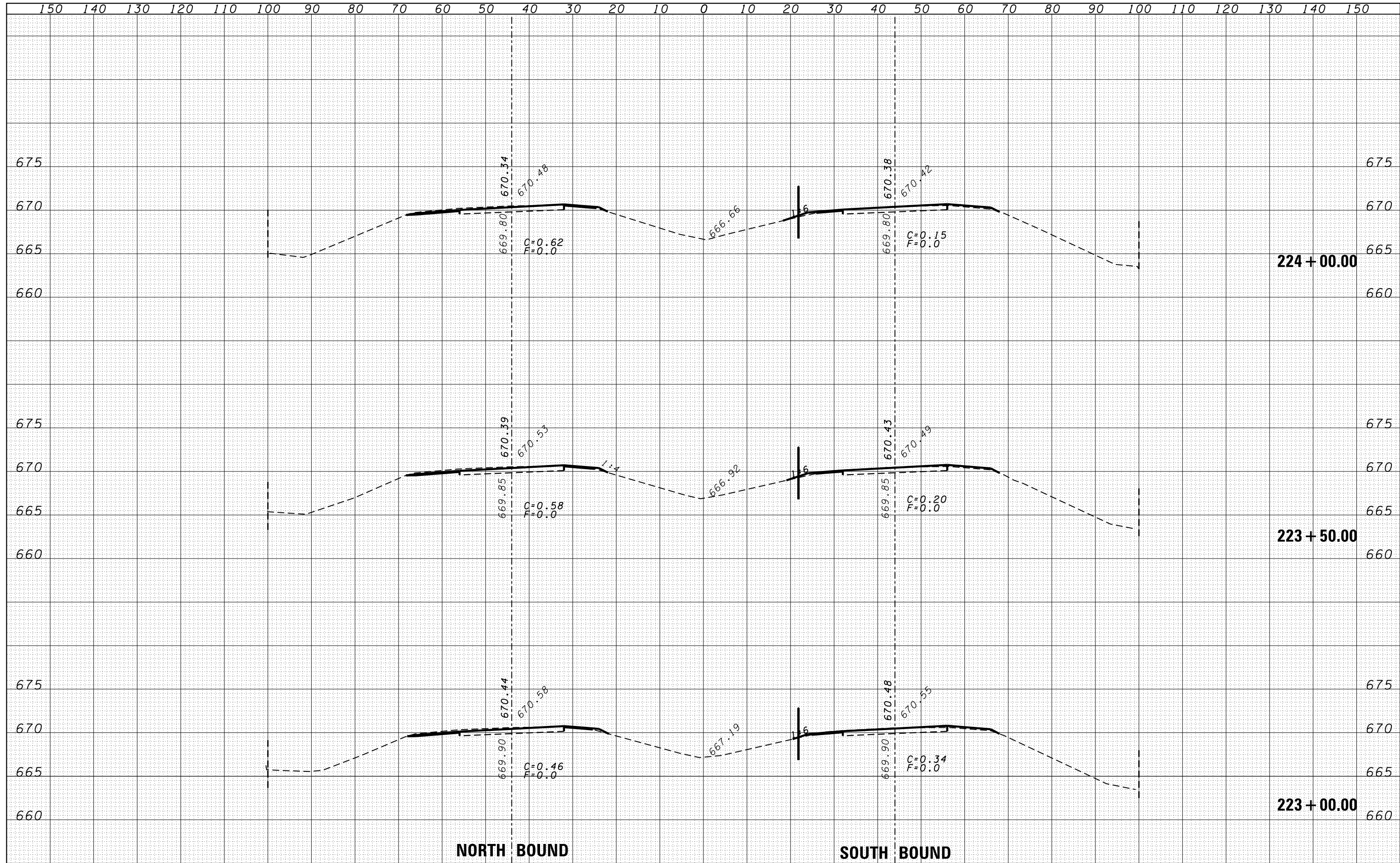
| | |
|--------------|----------|
| DATE | |
| BY | |
| FINAL SURVEY | SURVEYED |
| NOTE BOOK | PLOTTED |
| NO. | TEMPLATE |
| | AREAS |
| | CHECKED |

| | |
|-----------------|----------|
| DATE | |
| BY | |
| ORIGINAL SURVEY | SURVEYED |
| NOTE BOOK | PLOTTED |
| NO. | TEMPLATE |
| | AREAS |
| | CHECKED |



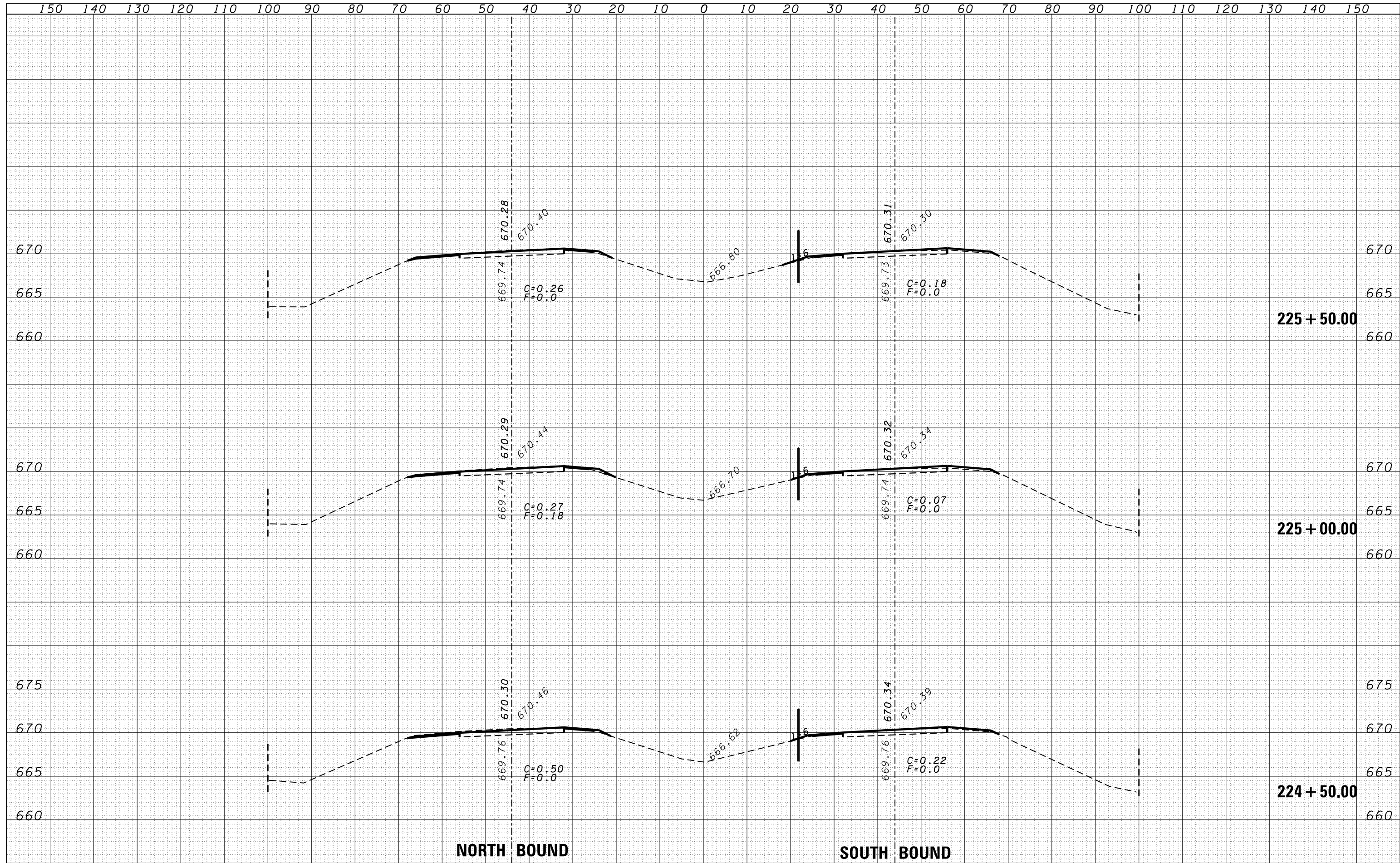
| | |
|--------------|--|
| DATE | |
| BY | |
| SURVEYED | |
| PLOTTED | |
| TEMPLATE | |
| AREAS | |
| CHECKED | |
| FINAL SURVEY | |
| NOTE BOOK | |
| NO. | |

| | |
|-----------------|--|
| DATE | |
| BY | |
| SURVEYED | |
| PLOTTED | |
| TEMPLATE | |
| AREAS | |
| CHECKED | |
| ORIGINAL SURVEY | |
| NOTE BOOK | |
| NO. | |



| | |
|----|------|
| BY | DATE |
| | |
| | |
| | |
| | |
| | |
| | |
| | |
| | |
| | |

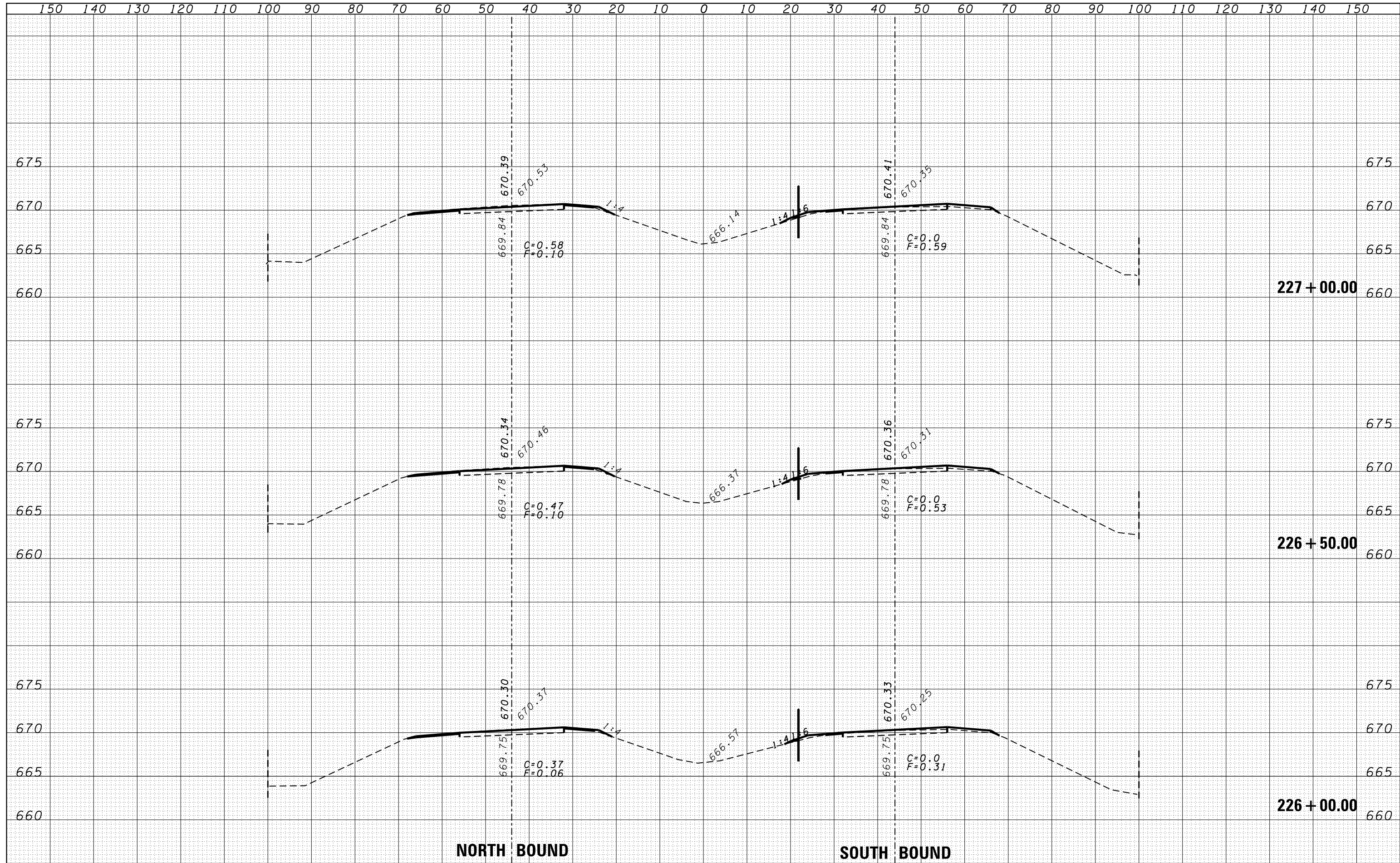
| | |
|----|------|
| BY | DATE |
| | |
| | |
| | |
| | |
| | |
| | |
| | |
| | |
| | |



| | | | | | | |
|--|--|--|---|--|--|---------------------------|
| FILE NAME = es:\pw-work\p1dot\duncanbd\d0319542\0366C53-sh... | USER NAME = duncanbd DESIGNED - DRAWN - CHECKED - DATE - | REVISED - REVISED - REVISED - REVISED - | STATE OF ILLINOIS DEPARTMENT OF TRANSPORTATION | CROSS SECTIONS SCALE: SHEET NO. OF SHEETS STA. 224+50.00 TO STA. 225+50.00 | F.A.I. RTÉ. SECTION COUNTY IROQUOIS CONTRACT NO. 66C53 | TOTAL SHEETS SHEET NO. |
| | PLOT SCALE = 20.0000 ' / in. PLOT DATE = 6/10/2014 | | | FED. ROAD DIST. NO. ILLINOIS FED. AID PROJECT | 186 104 | |

| | |
|--------------|----------|
| DATE | |
| BY | |
| FINAL SURVEY | SURVEYED |
| NOTE BOOK | PLOTTED |
| NO. | TEMPLATE |
| | AREAS |
| | CHECKED |

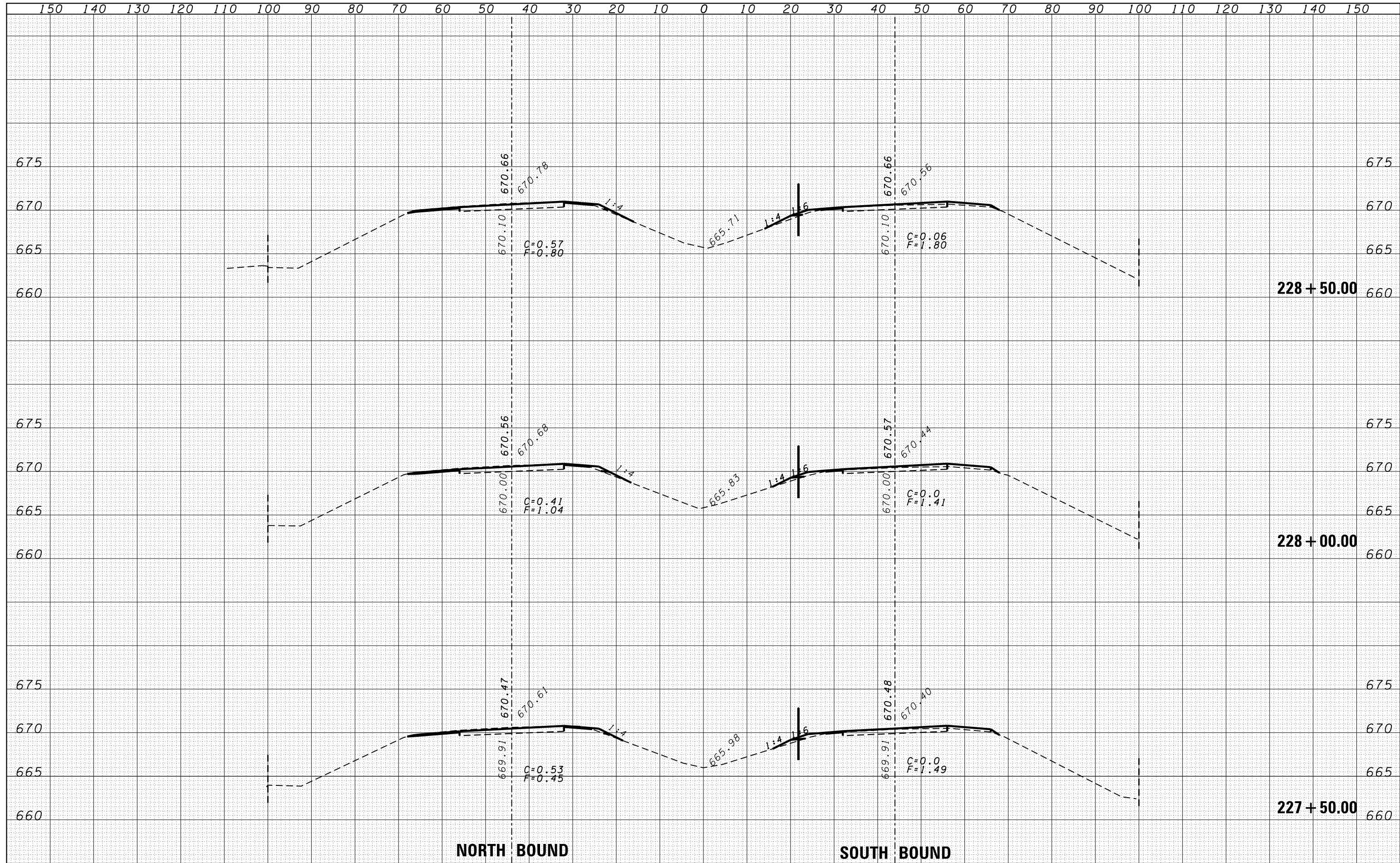
| | |
|-----------------|----------|
| DATE | |
| BY | |
| ORIGINAL SURVEY | SURVEYED |
| NOTE BOOK | PLOTTED |
| NO. | TEMPLATE |
| | AREAS |
| | CHECKED |



| | | | | | | | | | | |
|--|----------------------|------------|---|---|--|-------------|----------|--------|--------------|-----------|
| FILE NAME = | USER NAME = duncanbd | DESIGNED - | REVISÉ - | STATE OF ILLINOIS DEPARTMENT OF TRANSPORTATION | CROSS SECTIONS SCALE: SHEET NO. OF SHEETS STA. 226+00.00 TO STA. 227+00.00 | F.A.I. RTE. | SECTION | COUNTY | TOTAL SHEETS | SHEET NO. |
| es:\pw\work\pwtidot\duncanbd\d0319542\0366C53-sh | DRAWN - | REVISÉ - | 57 | | | 138-31RS-2 | IROQUOIS | 186 | 105 | |
| PLOT SCALE = 20.0000' / in. | CHECKED - | REVISÉ - | CONTRACT NO. 66C53 | | | | | | | |
| PLOT DATE = 6/10/2014 | DATE - | REVISÉ - | FED. ROAD DIST. NO. ILLINOIS FED. AID PROJECT | | | | | | | |

| | |
|--------------|----------|
| DATE | |
| BY | |
| FINAL SURVEY | SURVEYED |
| NOTE BOOK | PLOTTED |
| NO. | TEMPLATE |
| | AREAS |
| | CHECKED |

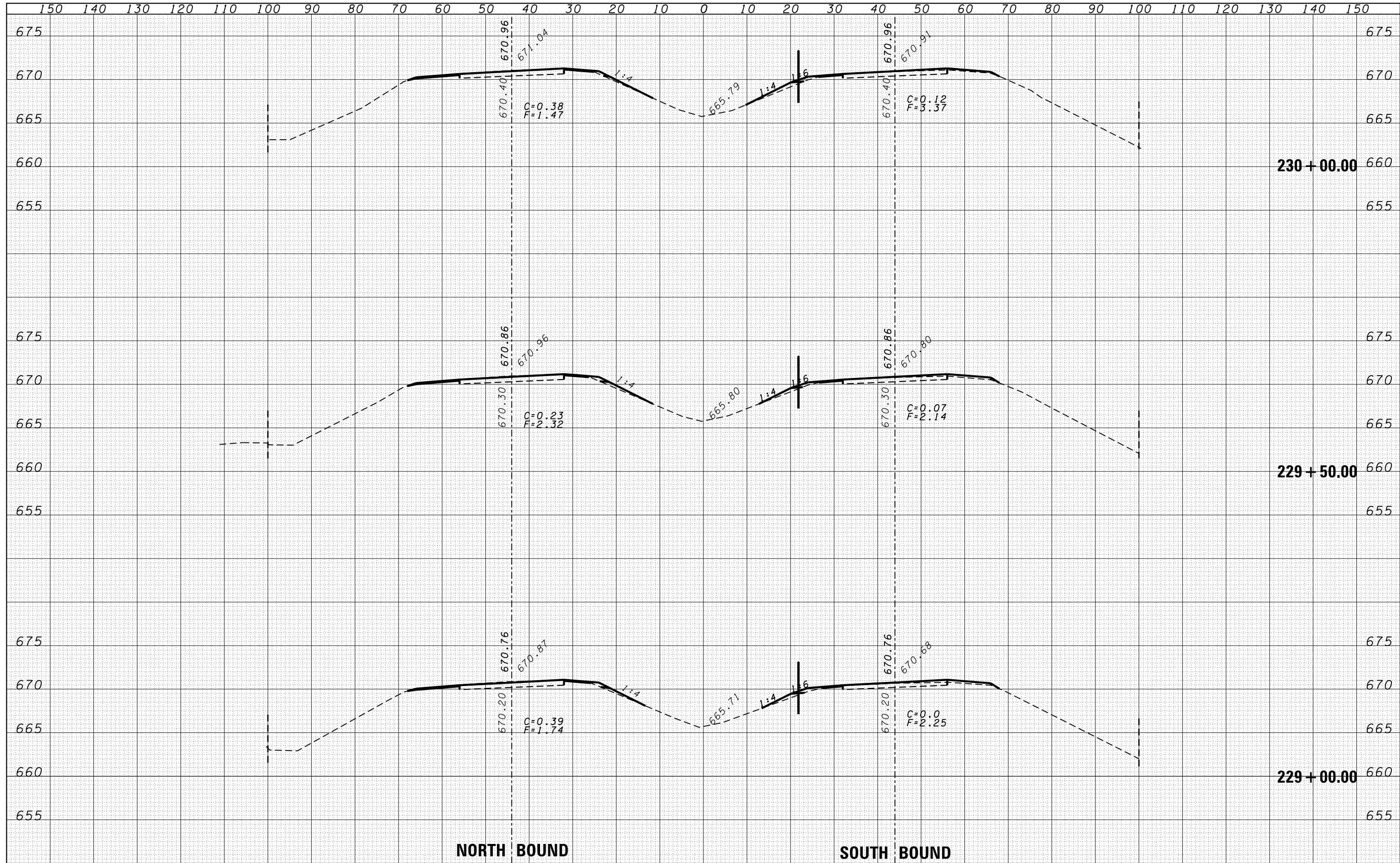
| | |
|-----------------|----------|
| DATE | |
| BY | |
| ORIGINAL SURVEY | SURVEYED |
| NOTE BOOK | PLOTTED |
| NO. | TEMPLATE |
| | AREAS |
| | CHECKED |



| | | | | | | | | | | |
|--|----------------------|------------|---|---|--|-------------|----------|--------|--------------|-----------|
| FILE NAME = | USER NAME = duncanbd | DESIGNED - | REVISÉ - | STATE OF ILLINOIS DEPARTMENT OF TRANSPORTATION | CROSS SECTIONS SCALE: SHEET NO. OF SHEETS STA. 227+50.00 TO STA. 228+50.00 | F.A.I. RTE. | SECTION | COUNTY | TOTAL SHEETS | SHEET NO. |
| es:\pw\work\pwt\dot\duncanbd\d0319542\0366C53-sh | DRAWN - | REVISÉ - | 57 | | | (38-3)RS-2 | IROQUOIS | 186 | 106 | |
| PLOT SCALE = 20.0000' / in. | CHECKED - | REVISÉ - | CONTRACT NO. 66C53 | | | | | | | |
| PLOT DATE = 6/10/2014 | DATE - | REVISÉ - | FED. ROAD DIST. NO. ILLINOIS FED. AID PROJECT | | | | | | | |

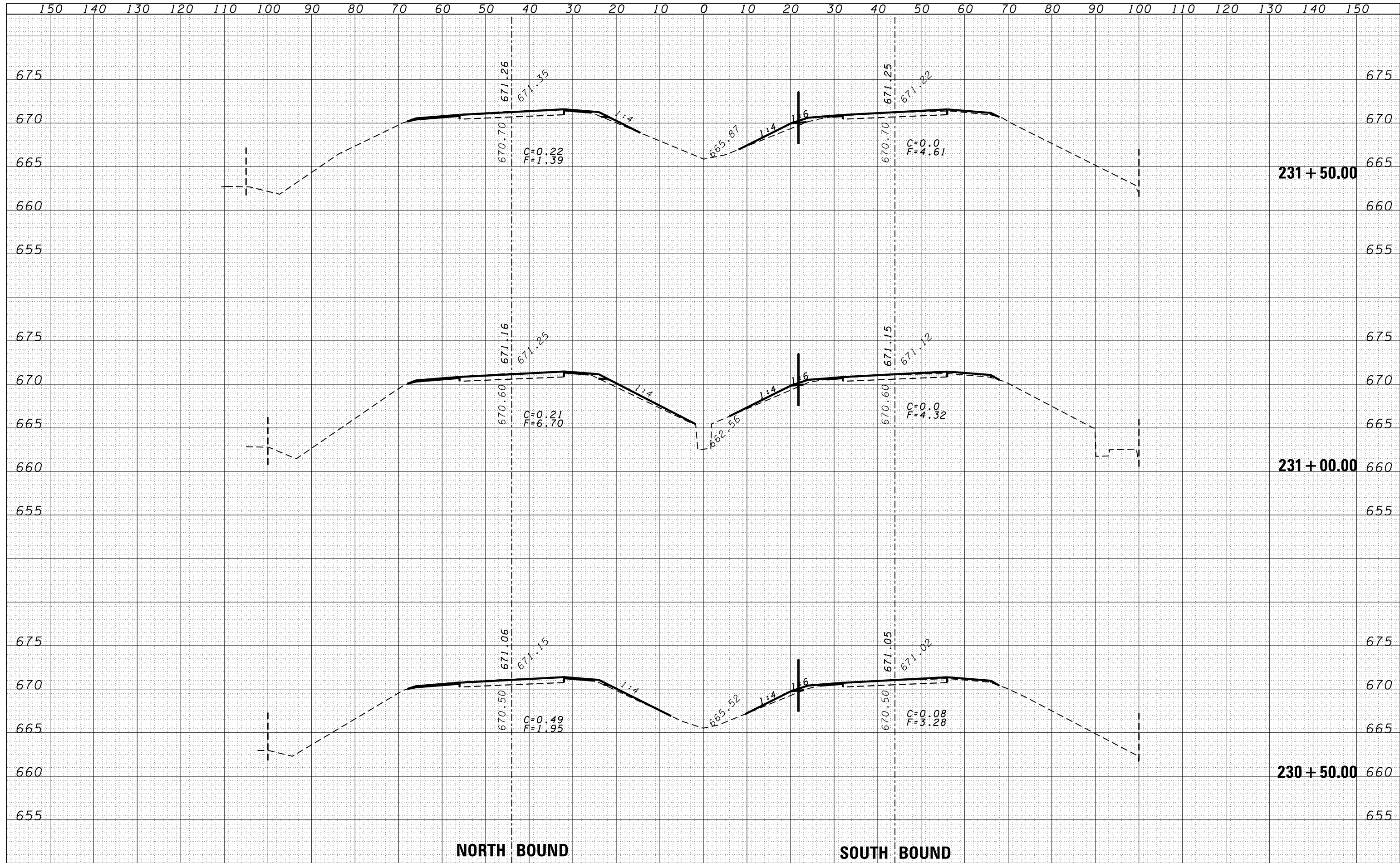
| | |
|-----------------|--|
| DATE | |
| BY | |
| ORIGINAL SURVEY | |
| PLOTTED | |
| TEMPLATE | |
| AREAS | |
| CHECKED | |
| NO. | |

| | |
|-----------------|--|
| DATE | |
| BY | |
| ORIGINAL SURVEY | |
| PLOTTED | |
| TEMPLATE | |
| AREAS | |
| CHECKED | |
| NO. | |



| | |
|--------------|--|
| DATE | |
| BY | |
| SURVEYED | |
| PLOTTED | |
| TEMPLATE | |
| AREAS | |
| CHECKED | |
| FINAL SURVEY | |
| NOTE BOOK | |
| NO. | |

| | |
|-----------------|--|
| DATE | |
| BY | |
| SURVEYED | |
| PLOTTED | |
| TEMPLATE | |
| AREAS | |
| CHECKED | |
| ORIGINAL SURVEY | |
| NOTE BOOK | |
| NO. | |



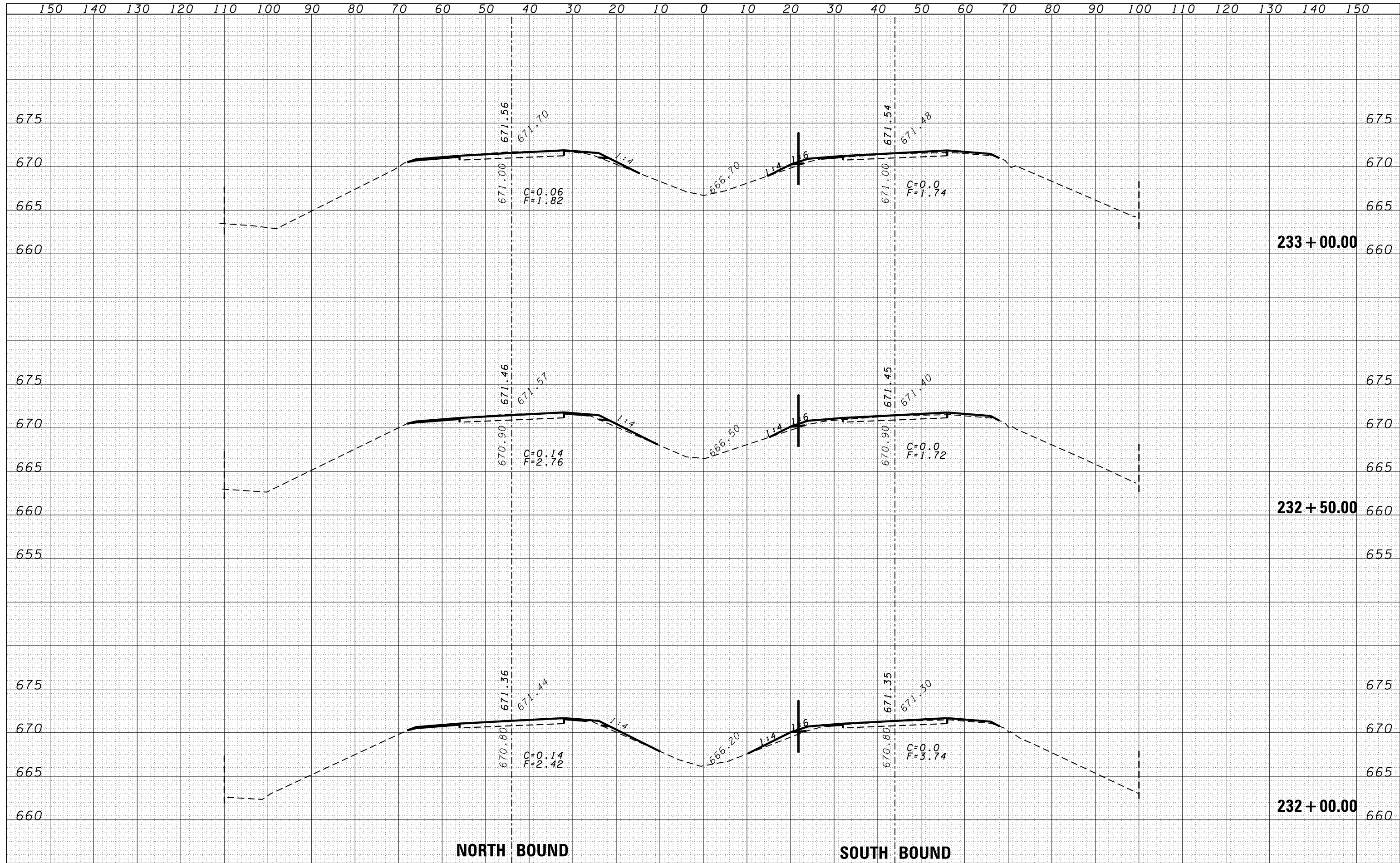
NORTH BOUND

SOUTH BOUND

| | | | | | | | | | | | | |
|---|----------------------|------------|--------------------|---|-----------------------|-----------|----------------------------------|---------------------|----------|------------------|--------------|-----------|
| FILE NAME = | USER NAME = duncanbd | DESIGNED - | REVISD - | STATE OF ILLINOIS DEPARTMENT OF TRANSPORTATION | CROSS SECTIONS | | | F.A.I. RTE. | SECTION | COUNTY | TOTAL SHEETS | SHEET NO. |
| es:\pw_work\pwtodot\duncanbd\d0319542\0366C53-shd-xssh.tdgn | DRAWN - | REVISD - | 57 | | | | | (38-3)RS-2 | IROQUOIS | 186 | 108 | |
| PLOT SCALE = 20.0000' / in. | CHECKED - | REVISD - | CONTRACT NO. 66C53 | | | | | | | | | |
| PLOT DATE = 6/10/2014 | DATE - | REVISD - | SCALE: | | SHEET NO. | OF SHEETS | STA. 230+50.00 TO STA. 231+50.00 | FED. ROAD DIST. NO. | ILLINOIS | FED. AID PROJECT | | |

| | |
|-----------------|--|
| DATE | |
| BY | |
| ORIGINAL SURVEY | |
| SURVEYED | |
| PLOTTED | |
| TEMPLATE | |
| AREAS | |
| CHECKED | |
| NO. | |

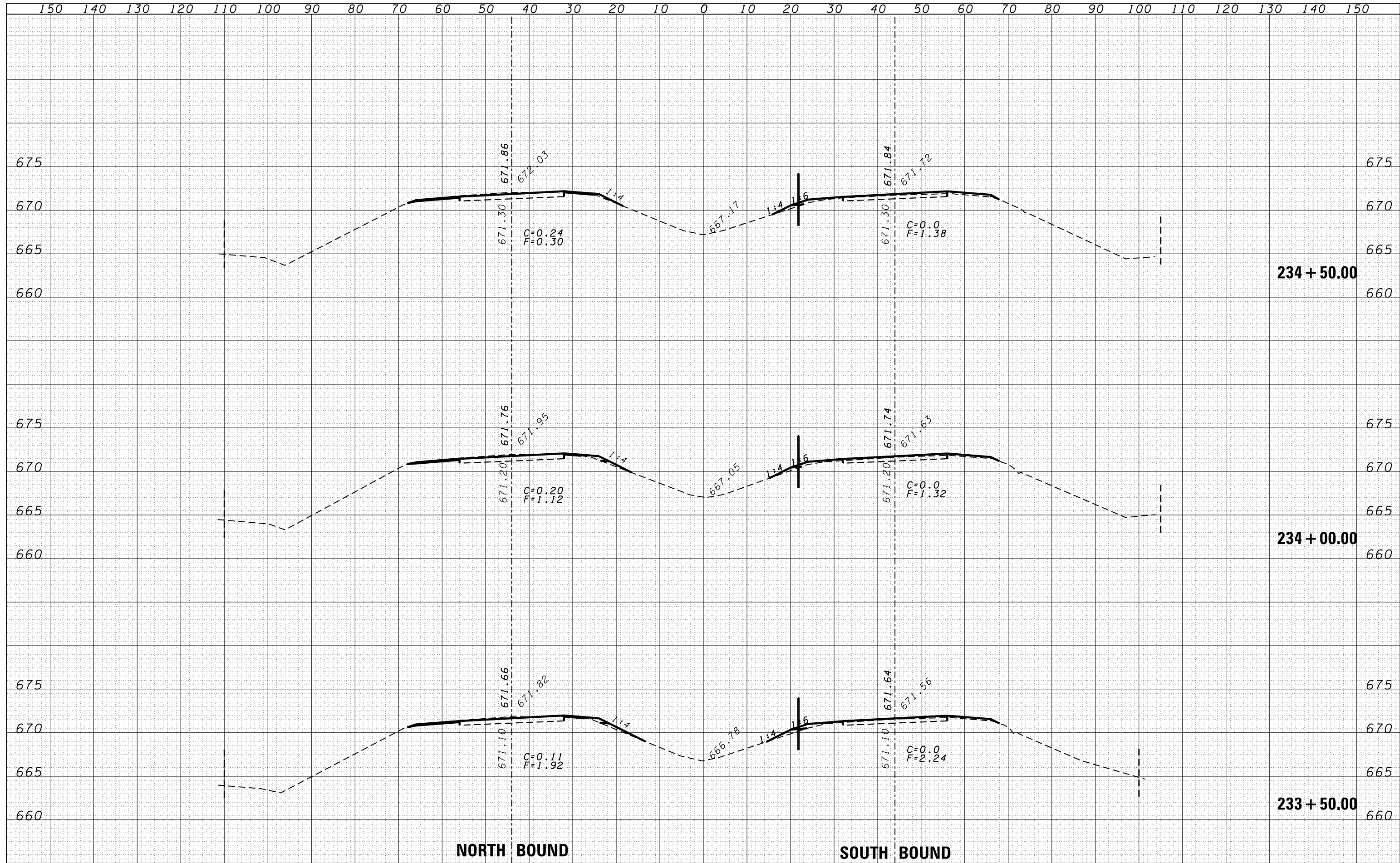
| | |
|-----------------|--|
| DATE | |
| BY | |
| ORIGINAL SURVEY | |
| SURVEYED | |
| PLOTTED | |
| TEMPLATE | |
| AREAS | |
| CHECKED | |
| NO. | |



| | | | | | | | | | | | | |
|--|----------------------|------------|-----------|---|-----------------------|---|-------------------|--------------------|----------|--------|--------------|-----------|
| FILE NAME = | USER NAME = duncanbd | DESIGNED - | REVISÉ - | STATE OF ILLINOIS DEPARTMENT OF TRANSPORTATION | CROSS SECTIONS | | | F.A.I. RTE. | SECTION | COUNTY | TOTAL SHEETS | SHEET NO. |
| es:\pw\work\pwt\dot\duncanbd\d0319542\0366C53-sh | DRAWN - | REVISÉ - | 57 | | | | | (38-3)RS-2 | IROQUOIS | 186 | 109 | |
| PLOT SCALE = 20.0000' / in. | CHECKED - | REVISÉ - | SCALE: | | | FED. ROAD DIST. NO. ILLINOIS FED. AID PROJECT | | | | | | |
| PLOT DATE = 6/10/2014 | DATE - | REVISÉ - | SHEET NO. | | OF SHEETS | STA. 232+00.00 | TO STA. 233+00.00 | CONTRACT NO. 66C53 | | | | |

| | |
|--------------|--|
| DATE | |
| BY | |
| SURVEYED | |
| PLOTTED | |
| TEMPLATE | |
| AREAS | |
| CHECKED | |
| FINAL SURVEY | |
| NOTE BOOK | |
| NO. | |

| | |
|-----------------|--|
| DATE | |
| BY | |
| SURVEYED | |
| PLOTTED | |
| TEMPLATE | |
| AREAS | |
| CHECKED | |
| ORIGINAL SURVEY | |
| NOTE BOOK | |
| NO. | |



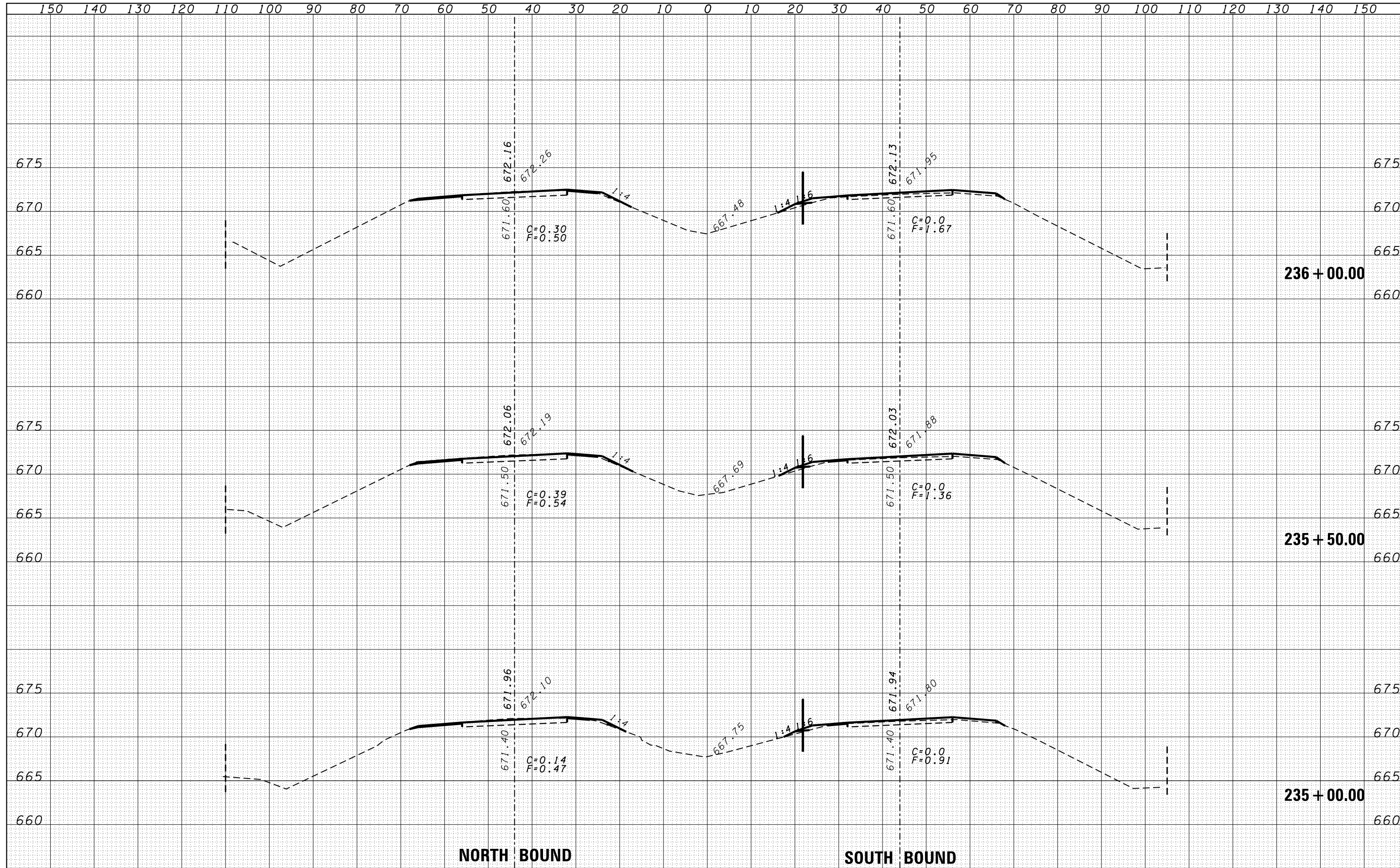
NORTH BOUND

SOUTH BOUND

| | | | | | | | | | | |
|--|----------------------|------------|---|---|-----------------------|-------------|----------|--------|----------------|-------------------|
| FILE NAME = | USER NAME = duncanbd | DESIGNED - | REVISD - | STATE OF ILLINOIS DEPARTMENT OF TRANSPORTATION | CROSS SECTIONS | F.A.I. RTE. | SECTION | COUNTY | TOTAL SHEETS | SHEET NO. |
| es:\pw\work\pwtidot\duncanbd\d0319542\0366C53-sh | DRAWN - | REVISD - | 57 | | | (38-3)RS-2 | IROQUOIS | 186 | 110 | |
| PLOT SCALE = 20.0000' / in. | CHECKED - | REVISD - | CONTRACT NO. 66C53 | | | | | | | |
| PLOT DATE = 6/10/2014 | DATE - | REVISD - | FED. ROAD DIST. NO. ILLINOIS FED. AID PROJECT | | | | | | | |
| SCALE: | | | | | | SHEET NO. | OF | SHEETS | STA. 233+50.00 | TO STA. 234+50.00 |

| | |
|--------------|----------|
| DATE | |
| BY | |
| FINAL SURVEY | SURVEYED |
| NOTE BOOK | PLOTTED |
| NO. | TEMPLATE |
| | AREAS |
| | CHECKED |

| | |
|-----------------|----------|
| DATE | |
| BY | |
| ORIGINAL SURVEY | SURVEYED |
| NOTE BOOK | PLOTTED |
| NO. | TEMPLATE |
| | AREAS |
| | CHECKED |



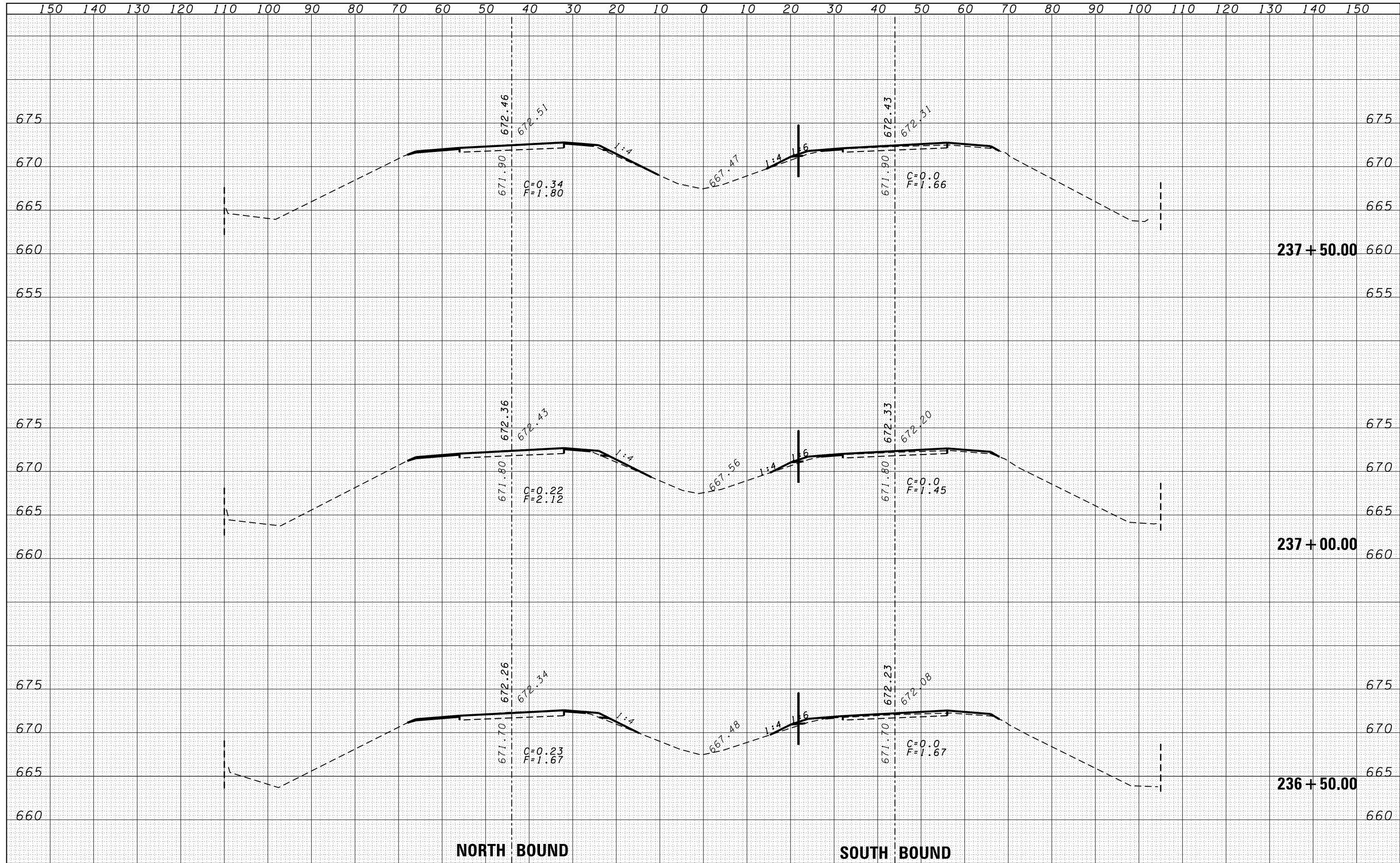
NORTH BOUND

SOUTH BOUND

| | | | | | | | | | | | | |
|---|----------------------|------------|--------------------|---|-----------------------|-----------|----------------------------------|---------------------|----------|------------------|--------------|-----------|
| FILE NAME = | USER NAME = duncanbd | DESIGNED - | REVISÉ - | STATE OF ILLINOIS DEPARTMENT OF TRANSPORTATION | CROSS SECTIONS | | | F.A.I. RTE. | SECTION | COUNTY | TOTAL SHEETS | SHEET NO. |
| es:\pw\work\pwtodot\duncanbd\d0319542\0366C53-shd-xssh.tdgn | DRAWN - | REVISÉ - | 57 | | | | | 138-31RS-2 | IROQUOIS | 186 | 111 | |
| PLOT SCALE = 20.0000' / in. | CHECKED - | REVISÉ - | CONTRACT NO. 66C53 | | | | | | | | | |
| PLOT DATE = 6/10/2014 | DATE - | REVISÉ - | SCALE: | | SHEET NO. | OF SHEETS | STA. 235+00.00 TO STA. 236+00.00 | FED. ROAD DIST. NO. | ILLINOIS | FED. AID PROJECT | | |

| | |
|--------------|----------|
| DATE | |
| BY | |
| FINAL SURVEY | SURVEYED |
| NOTE BOOK | PLOTTED |
| NO. | TEMPLATE |
| | AREAS |
| | CHECKED |

| | |
|-----------------|----------|
| DATE | |
| BY | |
| ORIGINAL SURVEY | SURVEYED |
| NOTE BOOK | PLOTTED |
| NO. | TEMPLATE |
| | AREAS |
| | CHECKED |



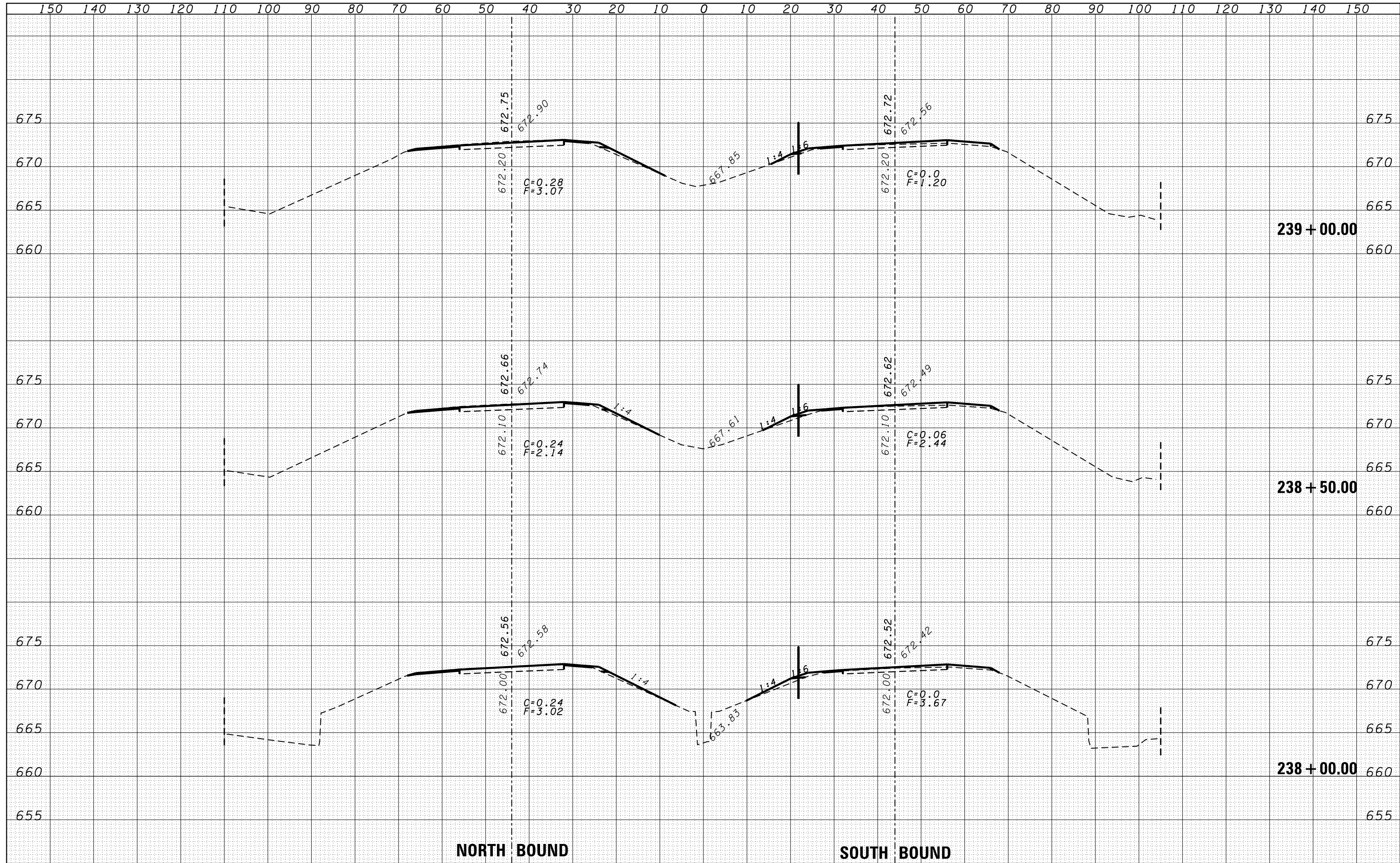
NORTH BOUND

SOUTH BOUND

| | | | | | | | | | | | | | |
|---|----------------------|------------|----------|---|-----------------------|-----------|----|-------------|----------------|--------------------|---|-----------|--|
| FILE NAME = | USER NAME = duncanbd | DESIGNED - | REVISD - | STATE OF ILLINOIS DEPARTMENT OF TRANSPORTATION | CROSS SECTIONS | | | F.A.I. RTE. | SECTION | COUNTY | TOTAL SHEETS | SHEET NO. | |
| es:\pw\work\pwtidot\duncanbd\d0319542\0366C53-shd-xssh.tdgn | DRAWN - | REVISD - | 57 | | | | | (38-3)RS-2 | IROQUOIS | 186 | 112 | | |
| PLOT SCALE = 20.0000' / in. | CHECKED - | REVISD - | SCALE: | | | SHEET NO. | OF | SHEETS | STA. 236+50.00 | TO STA. 237+50.00 | FED. ROAD DIST. NO. ILLINOIS FED. AID PROJECT | | |
| PLOT DATE = 6/10/2014 | DATE - | REVISD - | | | | | | | | CONTRACT NO. 66C53 | | | |

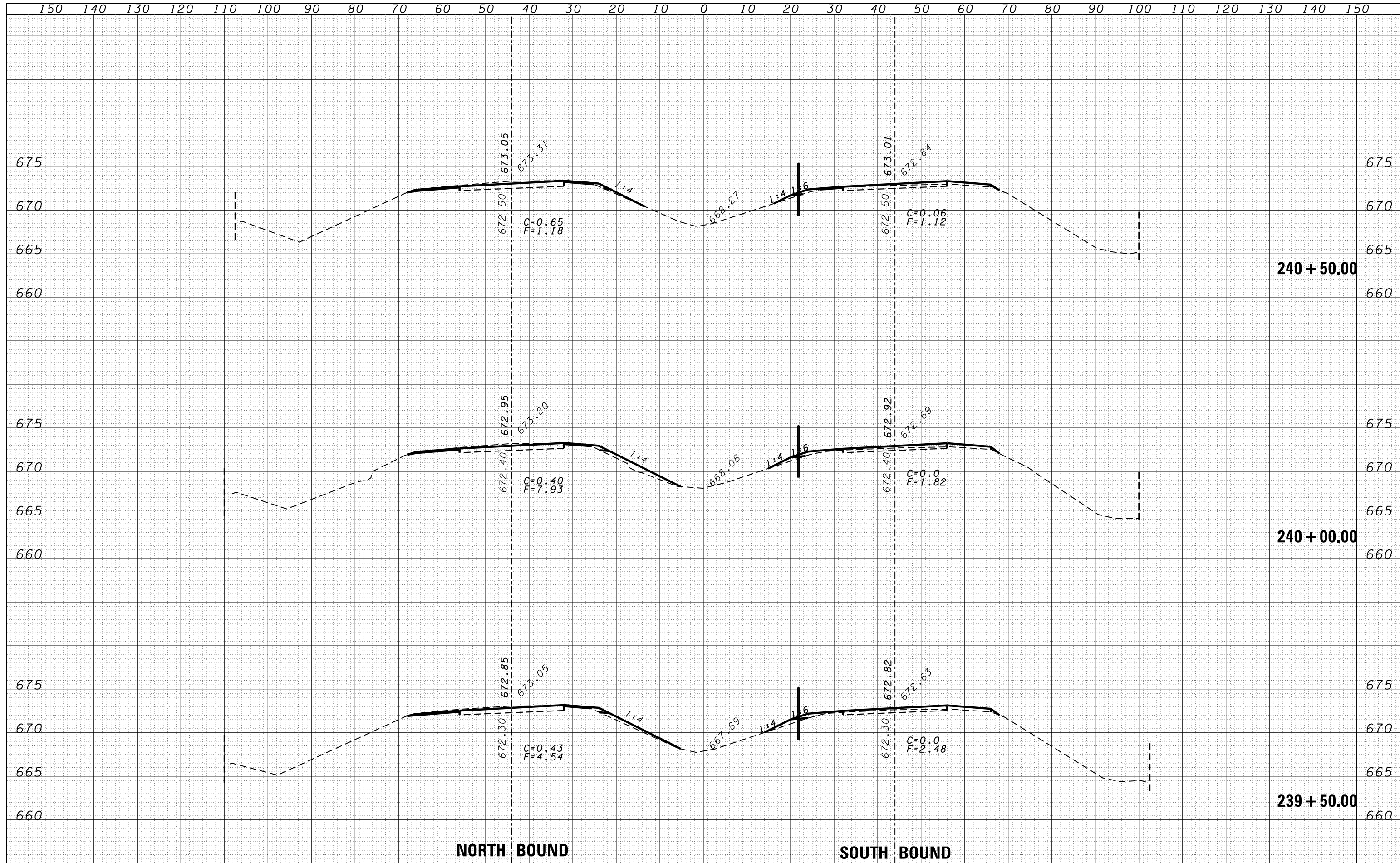
| | |
|--------------|----------|
| DATE | |
| BY | |
| FINAL SURVEY | SURVEYED |
| NOTE BOOK | PLOTTED |
| NO. | TEMPLATE |
| | AREAS |
| | CHECKED |

| | |
|-----------------|----------|
| DATE | |
| BY | |
| ORIGINAL SURVEY | SURVEYED |
| NOTE BOOK | PLOTTED |
| NO. | TEMPLATE |
| | AREAS |
| | CHECKED |



| | |
|------------------|--|
| DATE | |
| BY | |
| SURVEYED | |
| PLOTTED | |
| TEMPLATE | |
| AREAS | |
| CHECKED | |
| FINAL SURVEY NO. | |
| NOTE BOOK NO. | |
| AREAS CHECKED | |

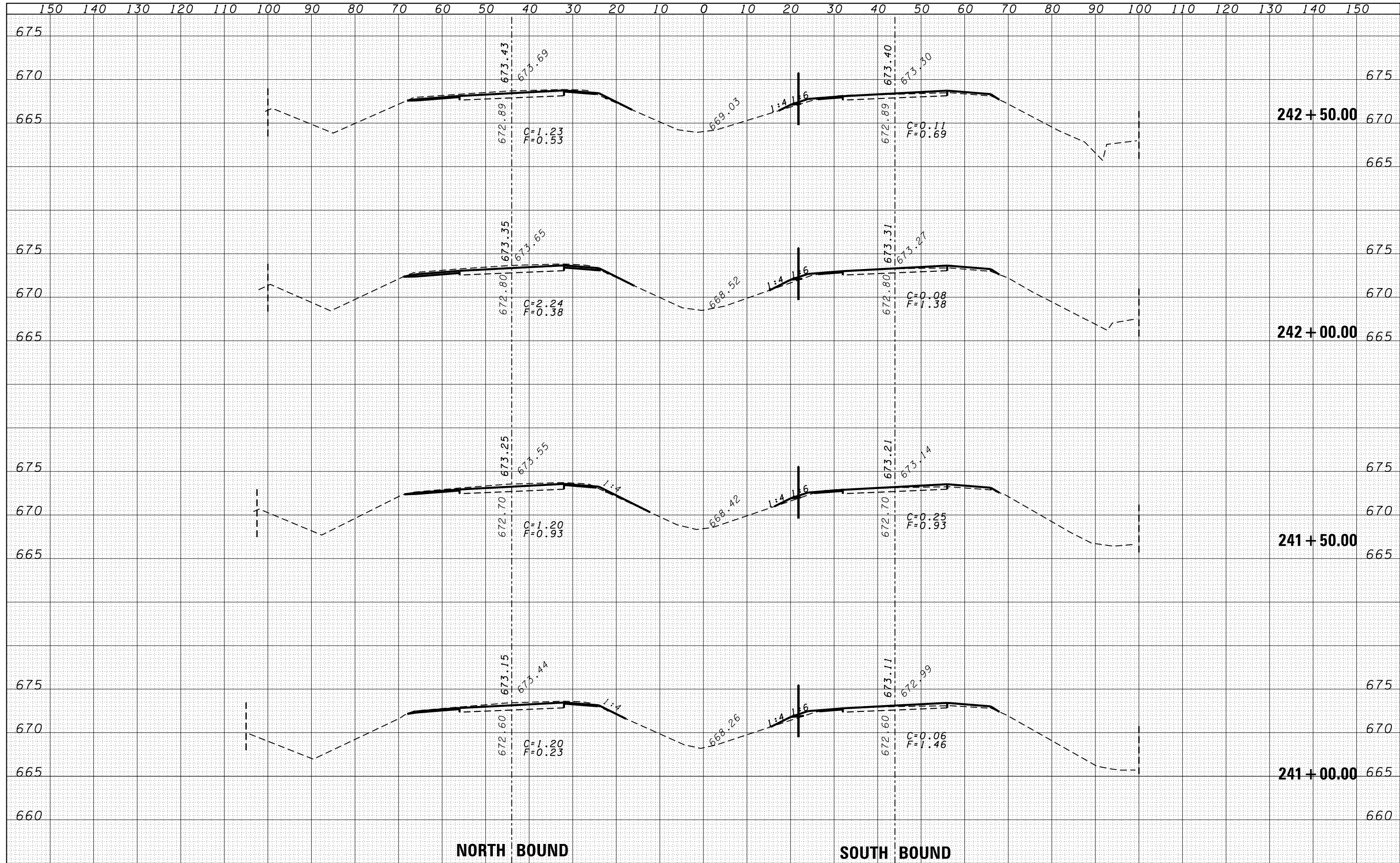
| | |
|---------------------|--|
| DATE | |
| BY | |
| SURVEYED | |
| PLOTTED | |
| TEMPLATE | |
| AREAS | |
| CHECKED | |
| ORIGINAL SURVEY NO. | |
| NOTE BOOK NO. | |
| AREAS CHECKED | |



| | | | | | | | | | | |
|--|----------------------|------------|---|---|-----------------------|-------------|----------|--------|----------------|-------------------|
| FILE NAME = | USER NAME = duncanbd | DESIGNED - | REVISD - | STATE OF ILLINOIS DEPARTMENT OF TRANSPORTATION | CROSS SECTIONS | F.A.I. RTE. | SECTION | COUNTY | TOTAL SHEETS | SHEET NO. |
| es:\pw\work\pwt\dot\duncanbd\d0319542\0366C53-sh | DRAWN - | REVISD - | 57 | | | (38-3)RS-2 | IROQUOIS | 186 | 114 | |
| PLOT SCALE = 20.0000' / in. | CHECKED - | REVISD - | CONTRACT NO. 66C53 | | | | | | | |
| PLOT DATE = 6/10/2014 | DATE - | REVISD - | FED. ROAD DIST. NO. ILLINOIS FED. AID PROJECT | | | | | | | |
| SCALE: | | | | | | SHEET NO. | OF | SHEETS | STA. 239+50.00 | TO STA. 240+50.00 |

| | |
|--------------|----------|
| DATE | |
| BY | |
| FINAL SURVEY | SURVEYED |
| NOTE BOOK | PLOTTED |
| NO. | TEMPLATE |
| | AREAS |
| | CHECKED |

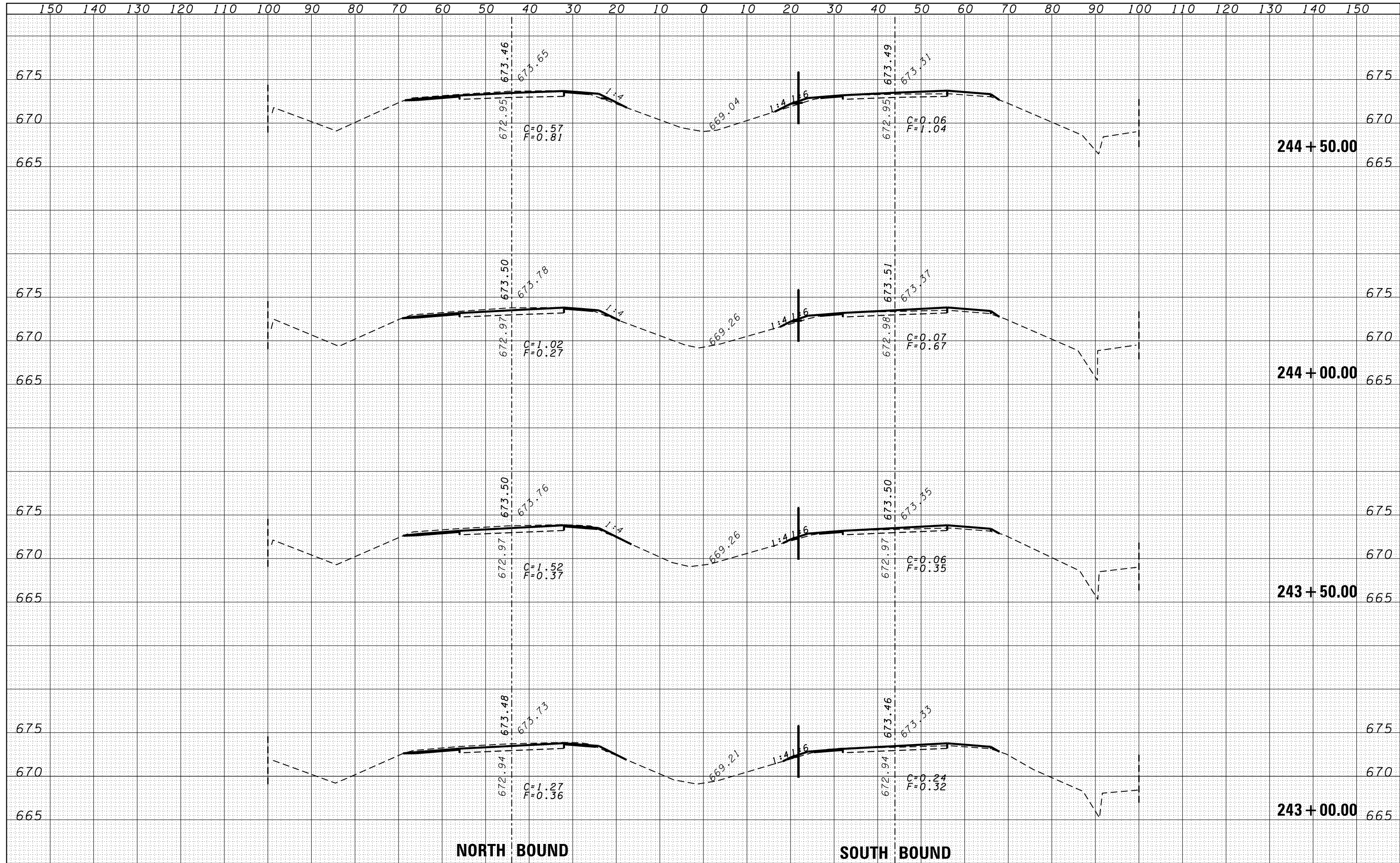
| | |
|-----------------|----------|
| DATE | |
| BY | |
| ORIGINAL SURVEY | SURVEYED |
| NOTE BOOK | PLOTTED |
| NO. | TEMPLATE |
| | AREAS |
| | CHECKED |



| | | | | | | | | | | |
|---|----------------------|------------|---|---|-----------------------|-------------|----------|--------|--------------|-----------|
| FILE NAME = | USER NAME = duncanbd | DESIGNED - | REVISIED - | STATE OF ILLINOIS DEPARTMENT OF TRANSPORTATION | CROSS SECTIONS | F.A.I. RTE. | SECTION | COUNTY | TOTAL SHEETS | SHEET NO. |
| es:\pw\work\p\dot\tduncanbd\d0319542\0366C53-sh | DRAWN - | REVISIED - | 57 | | | (38-3)RS-2 | IROQUOIS | 186 | 115 | |
| PLOT SCALE = 20.0000' / in. | CHECKED - | REVISIED - | CONTRACT NO. 66C53 | | | | | | | |
| PLOT DATE = 6/10/2014 | DATE - | REVISIED - | FED. ROAD DIST. NO. ILLINOIS FED. AID PROJECT | | | | | | | |

| | |
|-----------------|--|
| DATE | |
| BY | |
| ORIGINAL SURVEY | |
| NOTE BOOK NO. | |
| AREAS CHECKED | |

| | |
|-----------------|--|
| DATE | |
| BY | |
| ORIGINAL SURVEY | |
| NOTE BOOK NO. | |
| AREAS CHECKED | |



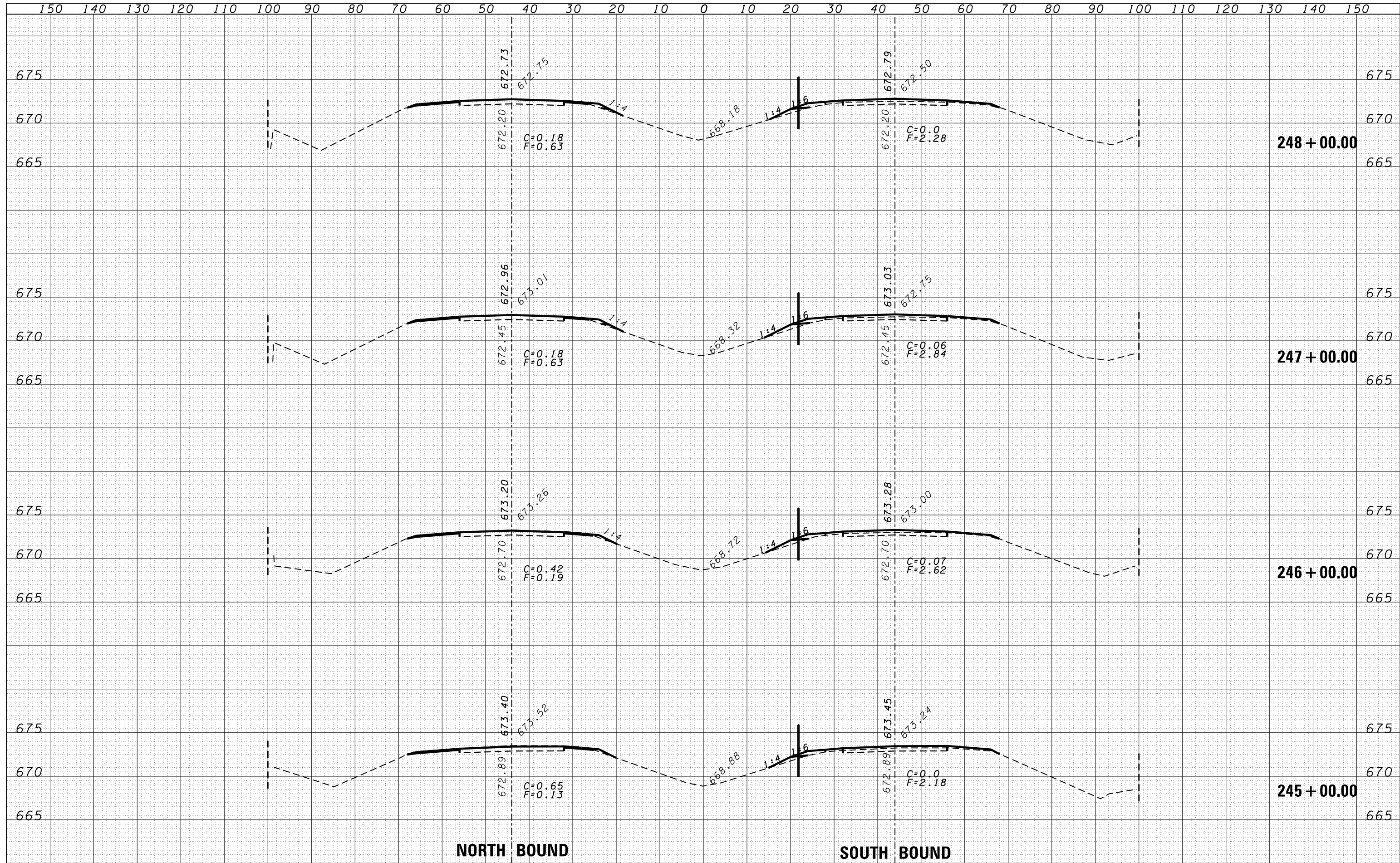
NORTH BOUND

SOUTH BOUND

| | | | | | | | | | | | | |
|--|----------------------|------------|---|---|--|--|--|-------------|----------|--------|--------------|-----------|
| FILE NAME = | USER NAME = duncanbd | DESIGNED - | REVISIED - | STATE OF ILLINOIS DEPARTMENT OF TRANSPORTATION | CROSS SECTIONS SCALE: SHEET NO. OF SHEETS STA. 243+00.00 TO STA. 244+50.00 | | | F.A.I. RTE. | SECTION | COUNTY | TOTAL SHEETS | SHEET NO. |
| es:\pw\work\pwt\dot\duncanbd\d0319542\0366C53-sh | DRAWN - | REVISIED - | 57 | | | | | 138-31RS-2 | IROQUOIS | 186 | 116 | |
| PLOT SCALE = 20.0000' / in. | CHECKED - | REVISIED - | CONTRACT NO. 66C53 | | | | | | | | | |
| PLOT DATE = 6/10/2014 | DATE - | REVISIED - | FED. ROAD DIST. NO. ILLINOIS FED. AID PROJECT | | | | | | | | | |

| | |
|--------------|--|
| DATE | |
| BY | |
| FINAL SURVEY | |
| PLOTTED | |
| TEMPLATE | |
| NOTE BOOK | |
| AREAS | |
| CHECKED | |
| NO. | |

| | |
|-----------------|--|
| DATE | |
| BY | |
| ORIGINAL SURVEY | |
| PLOTTED | |
| TEMPLATE | |
| NOTE BOOK | |
| AREAS | |
| CHECKED | |
| NO. | |



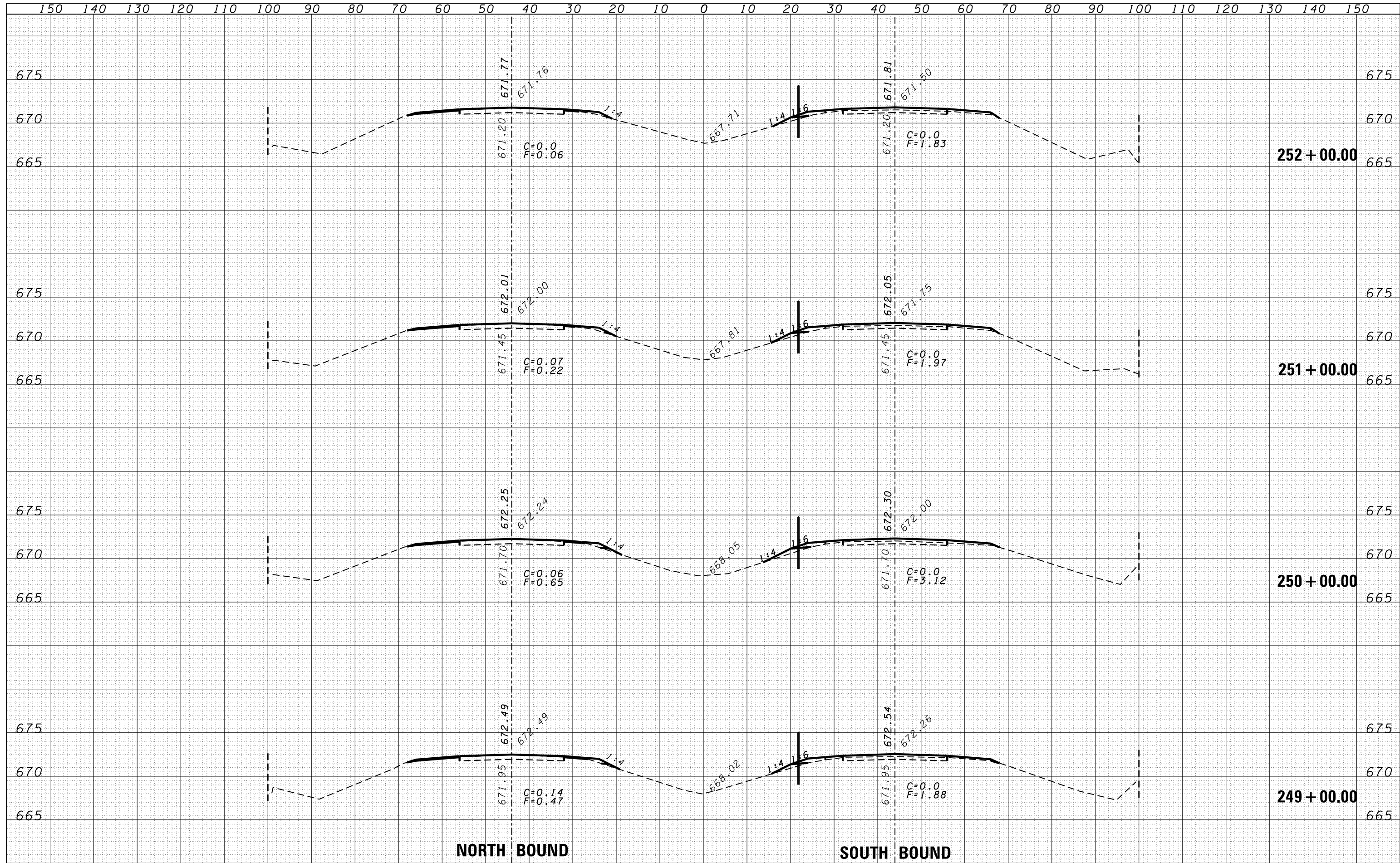
NORTH BOUND

SOUTH BOUND

| | | | | | | | | | |
|--|----------------------|------------|---|--|-------------|----------|--------|----------------|-------------------|
| FILE NAME = | USER NAME = duncanbd | DESIGNED - | REVISD - | <p align="center">STATE OF ILLINOIS DEPARTMENT OF TRANSPORTATION</p> <p align="center">CROSS SECTIONS</p> | F.A.I. RTE. | SECTION | COUNTY | TOTAL SHEETS | SHEET NO. |
| es:\pw\work\p\dot\duncanbd\d0319542\0366C53-sh | DRAWN - | REVISD - | 57 | | (38-3)RS-2 | IROQUOIS | 186 | 117 | |
| PLOT SCALE = 20.0000' / in. | CHECKED - | REVISD - | CONTRACT NO. 66C53 | | | | | | |
| PLOT DATE = 6/10/2014 | DATE - | REVISD - | FED. ROAD DIST. NO. ILLINOIS FED. AID PROJECT | | | | | | |
| | | | | SCALE: | SHEET NO. | OF | SHEETS | STA. 245+00.00 | TO STA. 248+00.00 |

| | |
|--------------|--|
| DATE | |
| BY | |
| FINAL SURVEY | |
| NOTE BOOK | |
| NO. | |
| SURVEYED | |
| PLOTTED | |
| TEMPLATE | |
| AREAS | |
| CHECKED | |

| | |
|-----------------|--|
| DATE | |
| BY | |
| ORIGINAL SURVEY | |
| NOTE BOOK | |
| NO. | |
| SURVEYED | |
| PLOTTED | |
| TEMPLATE | |
| AREAS | |
| CHECKED | |



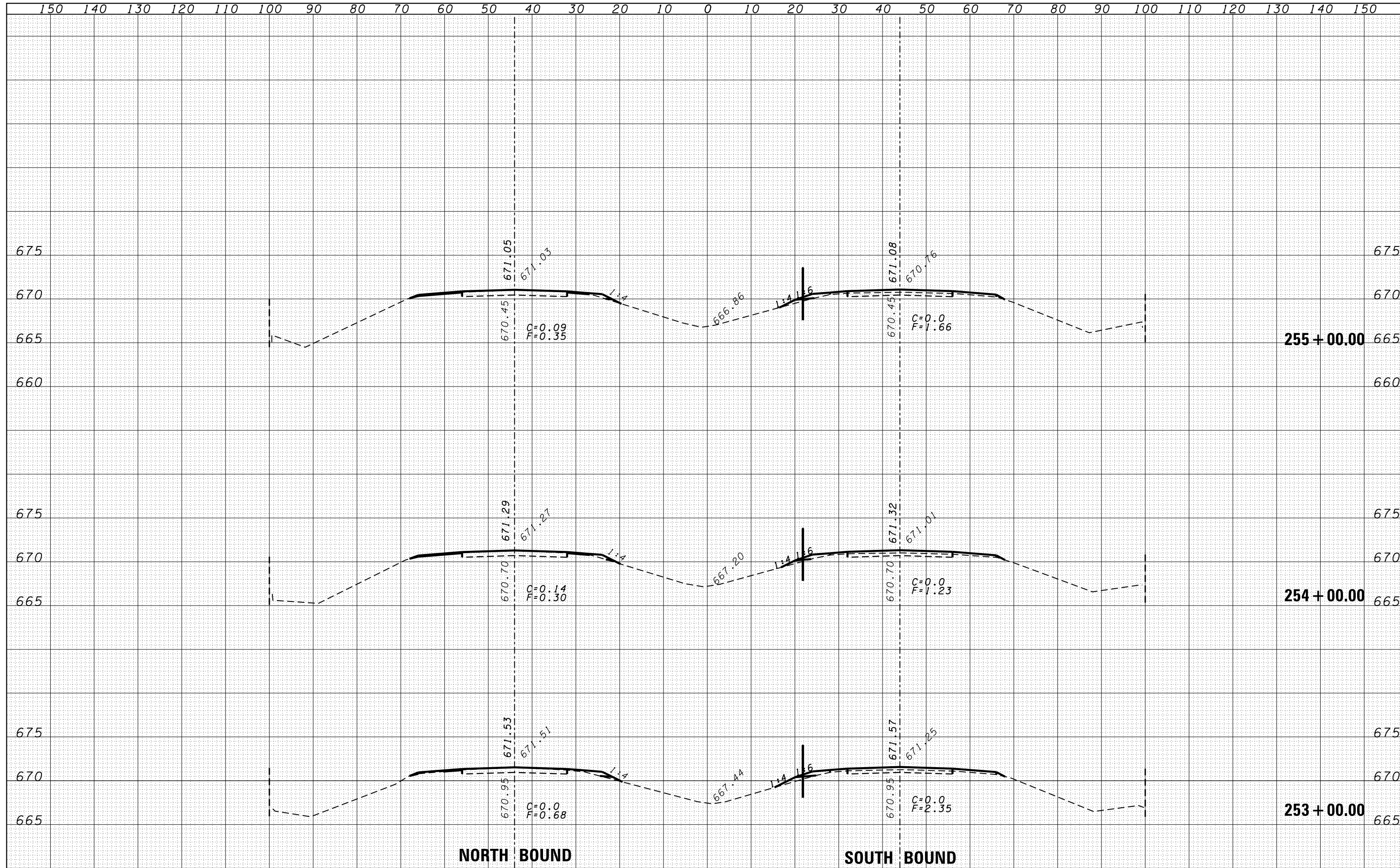
NORTH BOUND

SOUTH BOUND

| | | | | | | | | | | |
|--|----------------------|------------|---|---|-----------------------|-------------|----------|--------|----------------|-------------------|
| FILE NAME = | USER NAME = duncanbd | DESIGNED - | REVISD - | STATE OF ILLINOIS DEPARTMENT OF TRANSPORTATION | CROSS SECTIONS | F.A.I. RTE. | SECTION | COUNTY | TOTAL SHEETS | SHEET NO. |
| es:\pw\work\p\dot\duncanbd\d0319542\0366C53-sh | DRAWN - | REVISD - | 57 | | | (38-3)RS-2 | IROQUOIS | 186 | 118 | |
| PLOT SCALE = 20.0000' / in. | CHECKED - | REVISD - | CONTRACT NO. 66C53 | | | | | | | |
| PLOT DATE = 6/10/2014 | DATE - | REVISD - | FED. ROAD DIST. NO. ILLINOIS FED. AID PROJECT | | | | | | | |
| SCALE: | | | | | | SHEET NO. | OF | SHEETS | STA. 249+00.00 | TO STA. 252+00.00 |

| | |
|--------------|----------|
| DATE | |
| BY | |
| FINAL SURVEY | SURVEYED |
| NOTE BOOK | PLOTTED |
| NO. | TEMPLATE |
| | AREAS |
| | CHECKED |

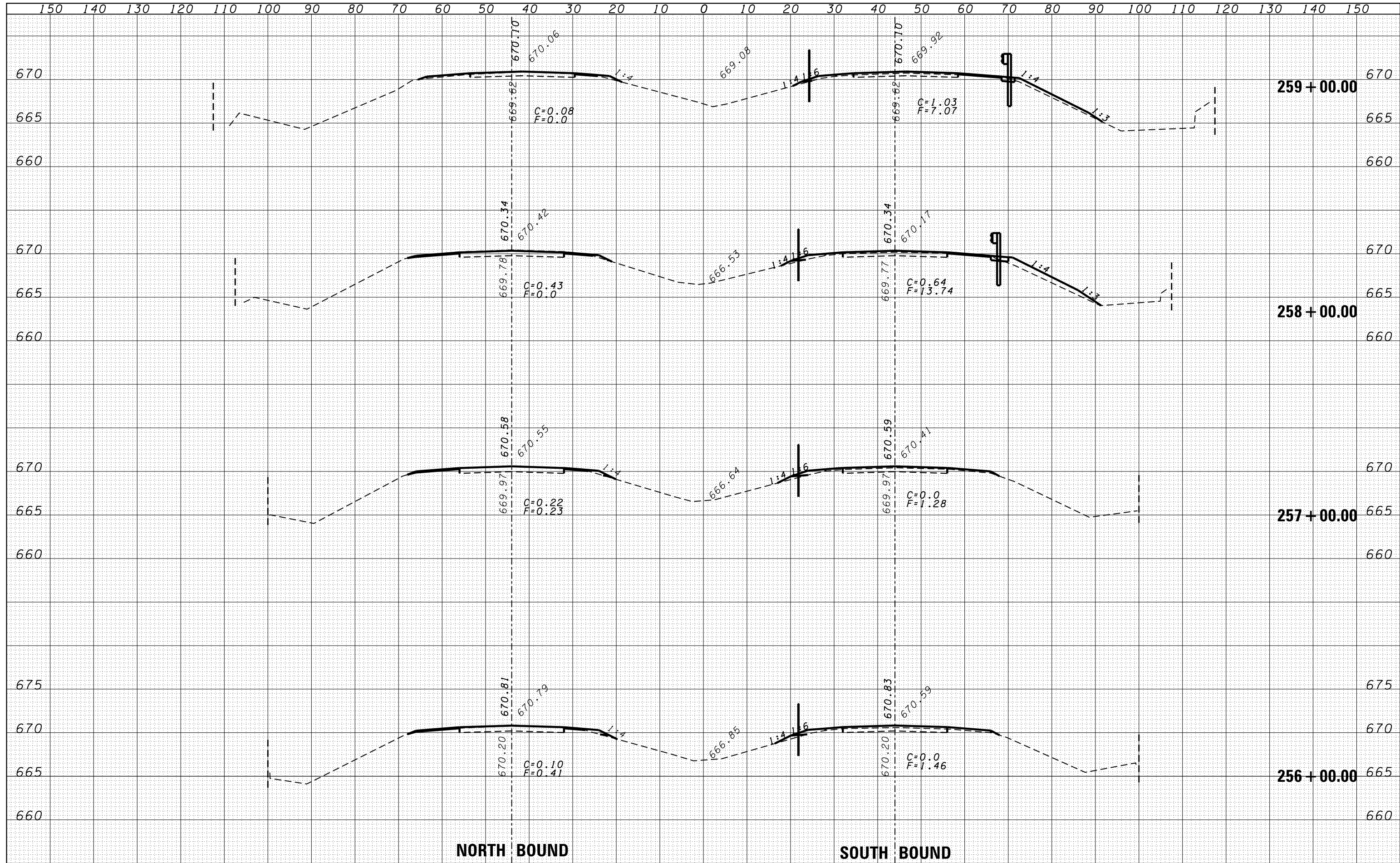
| | |
|-----------------|----------|
| DATE | |
| BY | |
| ORIGINAL SURVEY | SURVEYED |
| NOTE BOOK | PLOTTED |
| NO. | TEMPLATE |
| | AREAS |
| | CHECKED |



| | | | | | | | | | | |
|--|----------------------|------------|---|---|-----------------------|-------------|----------|--------|----------------|-------------------|
| FILE NAME = | USER NAME = duncanbd | DESIGNED - | REVISD - | STATE OF ILLINOIS DEPARTMENT OF TRANSPORTATION | CROSS SECTIONS | F.A.I. RTE. | SECTION | COUNTY | TOTAL SHEETS | SHEET NO. |
| es:\pw\work\p\dot\duncanbd\d0319542\0366C53-sh | DRAWN - | REVISD - | 57 | | | 138-31RS-2 | IROQUOIS | 186 | 119 | |
| PLOT SCALE = 20.0000' / in. | CHECKED - | REVISD - | CONTRACT NO. 66C53 | | | | | | | |
| PLOT DATE = 6/10/2014 | DATE - | REVISD - | FED. ROAD DIST. NO. ILLINOIS FED. AID PROJECT | | | | | | | |
| SCALE: | | | | | | SHEET NO. | OF | SHEETS | STA. 253+00.00 | TO STA. 255+00.00 |

| | |
|--------------|--|
| DATE | |
| BY | |
| FINAL SURVEY | |
| SURVEYED | |
| PLOTTED | |
| TEMPLATE | |
| NOTE BOOK | |
| AREAS | |
| CHECKED | |
| NO. | |

| | |
|-----------------|--|
| DATE | |
| BY | |
| ORIGINAL SURVEY | |
| SURVEYED | |
| PLOTTED | |
| TEMPLATE | |
| NOTE BOOK | |
| AREAS | |
| CHECKED | |
| NO. | |



NORTH BOUND

SOUTH BOUND

FILE NAME =
 USER NAME = duncanbd
 DESIGNED -
 DRAWN -
 CHECKED -
 DATE -

DESIGNED -
 DRAWN -
 CHECKED -
 DATE -

REVISÉ -
 REVISÉ -
 REVISÉ -
 REVISÉ -

REVISÉ -
 REVISÉ -
 REVISÉ -
 REVISÉ -

**STATE OF ILLINOIS
 DEPARTMENT OF TRANSPORTATION**

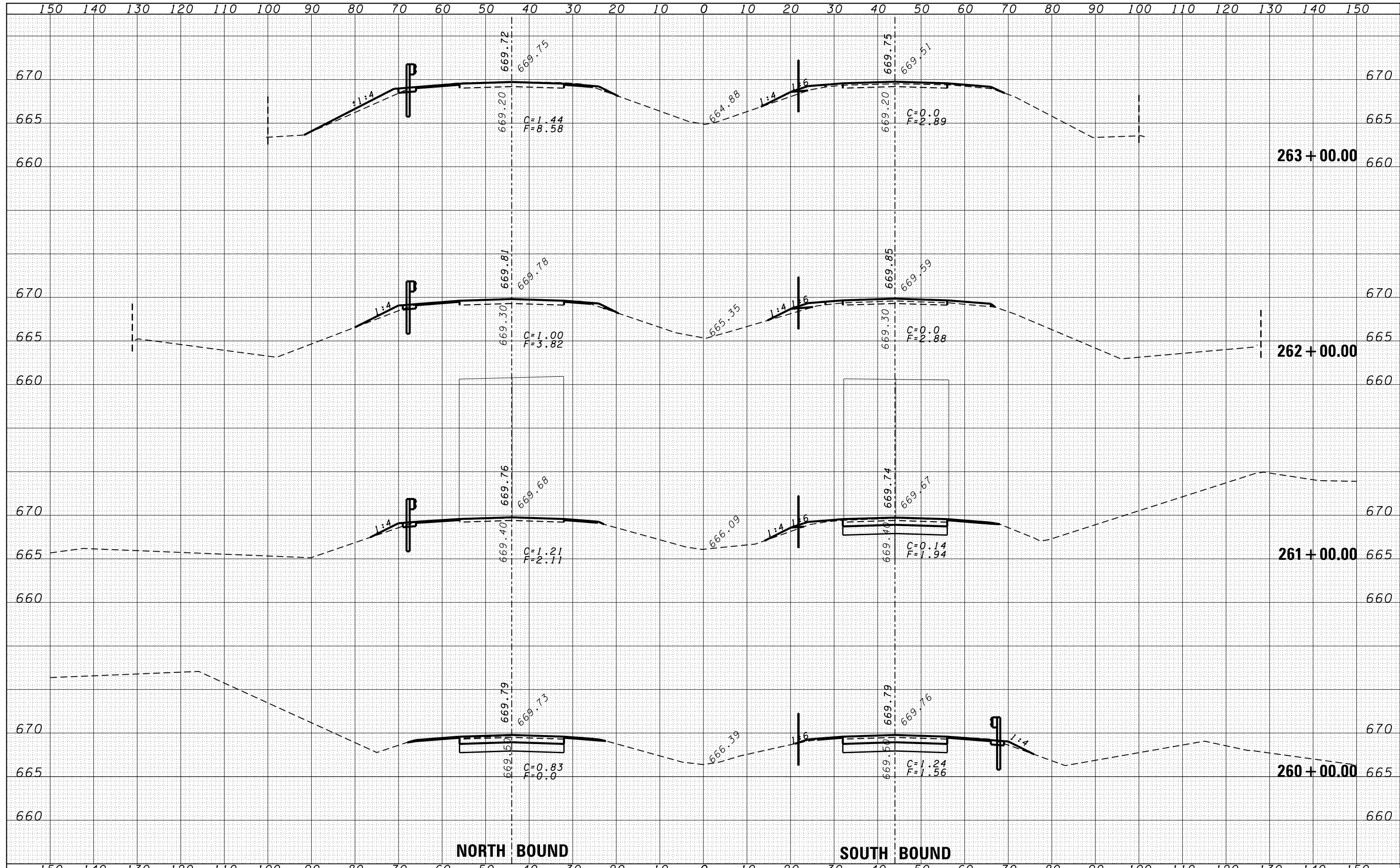
CROSS SECTIONS

SCALE: SHEET NO. OF SHEETS STA. 256+00.00 TO STA. 259+00.00

| F.A.I. RTE. | SECTION | COUNTY | TOTAL SHEETS | SHEET NO. |
|---|------------|----------|--------------------|-----------|
| 57 | (38-3)RS-2 | IROQUOIS | 186 | 120 |
| FED. ROAD DIST. NO. ILLINOIS FED. AID PROJECT | | | CONTRACT NO. 66C53 | |

| | |
|-----------------|--|
| DATE | |
| BY | |
| ORIGINAL SURVEY | |
| SURVEYED | |
| NOTE BOOK | |
| PLOTTED | |
| TEMPLATE | |
| AREAS | |
| CHECKED | |
| NO. | |

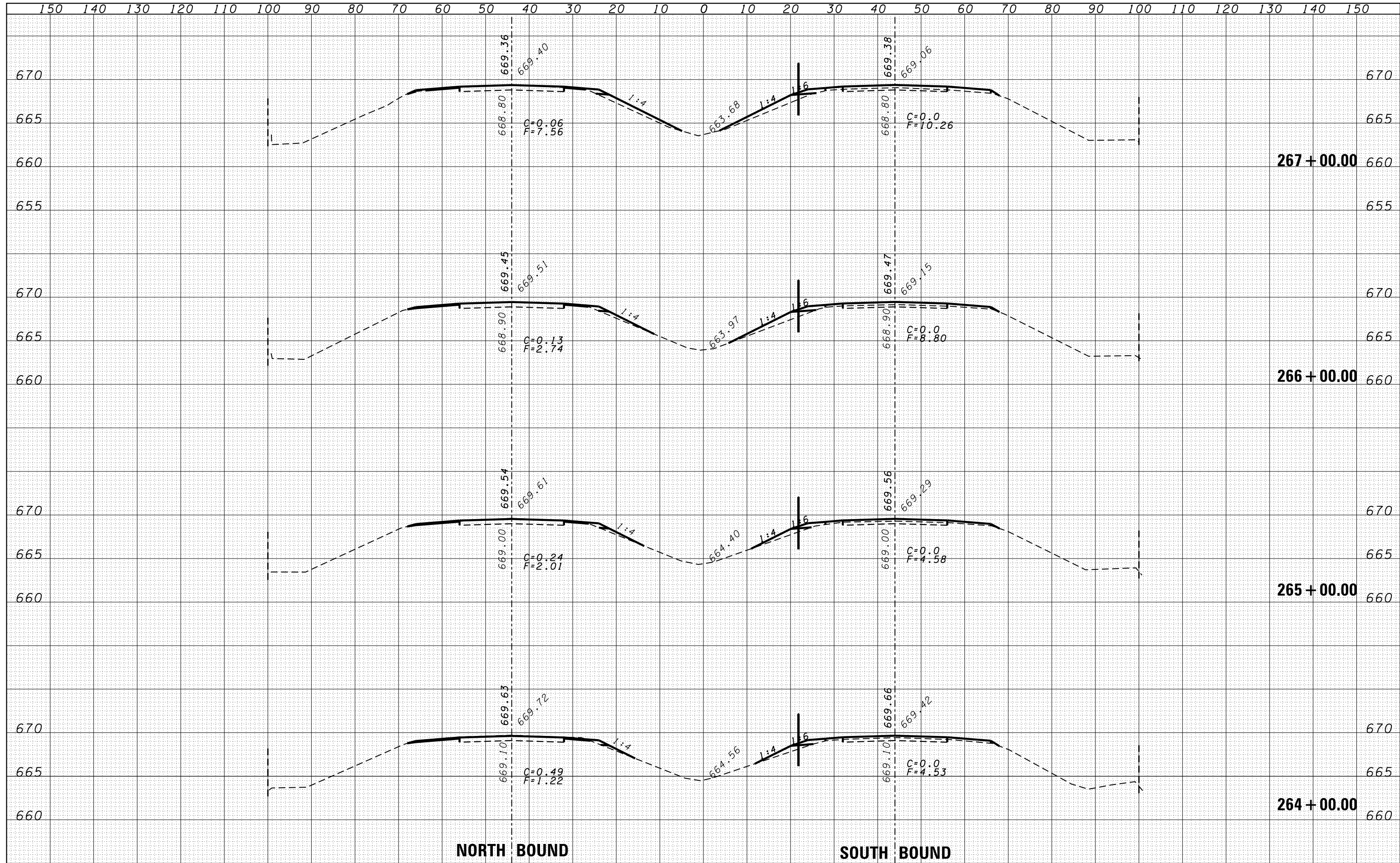
| | |
|-----------------|--|
| DATE | |
| BY | |
| ORIGINAL SURVEY | |
| SURVEYED | |
| NOTE BOOK | |
| PLOTTED | |
| TEMPLATE | |
| AREAS | |
| CHECKED | |
| NO. | |



| | | | | | | | | | | |
|--|----------------------|------------|---|---|--|-------------|----------|--------|--------------|-----------|
| FILE NAME = | USER NAME = duncanbd | DESIGNED - | REVISÉ - | STATE OF ILLINOIS DEPARTMENT OF TRANSPORTATION | CROSS SECTIONS SCALE: SHEET NO. OF SHEETS STA. 260+00.00 TO STA. 263+00.00 | F.A.I. RTE. | SECTION | COUNTY | TOTAL SHEETS | SHEET NO. |
| es:\pw\work\pwtidot\duncanbd\d0319542\0366C53-shr-xssh.dgn | DRAWN - | REVISÉ - | 57 | | | (38-3)RS-2 | IROQUOIS | 186 | 121 | |
| PLOT SCALE = 20.0000' / in. | CHECKED - | REVISÉ - | CONTRACT NO. 66C53 | | | | | | | |
| PLOT DATE = 6/10/2014 | DATE - | REVISÉ - | FED. ROAD DIST. NO. ILLINOIS FED. AID PROJECT | | | | | | | |

| | |
|-----------------|--|
| DATE | |
| BY | |
| ORIGINAL SURVEY | |
| NO. _____ | |
| NOTE BOOK | |
| NO. _____ | |
| AREAS CHECKED | |
| AREAS CHECKED | |

| | |
|-----------------|--|
| DATE | |
| BY | |
| ORIGINAL SURVEY | |
| NO. _____ | |
| NOTE BOOK | |
| NO. _____ | |
| AREAS CHECKED | |
| AREAS CHECKED | |



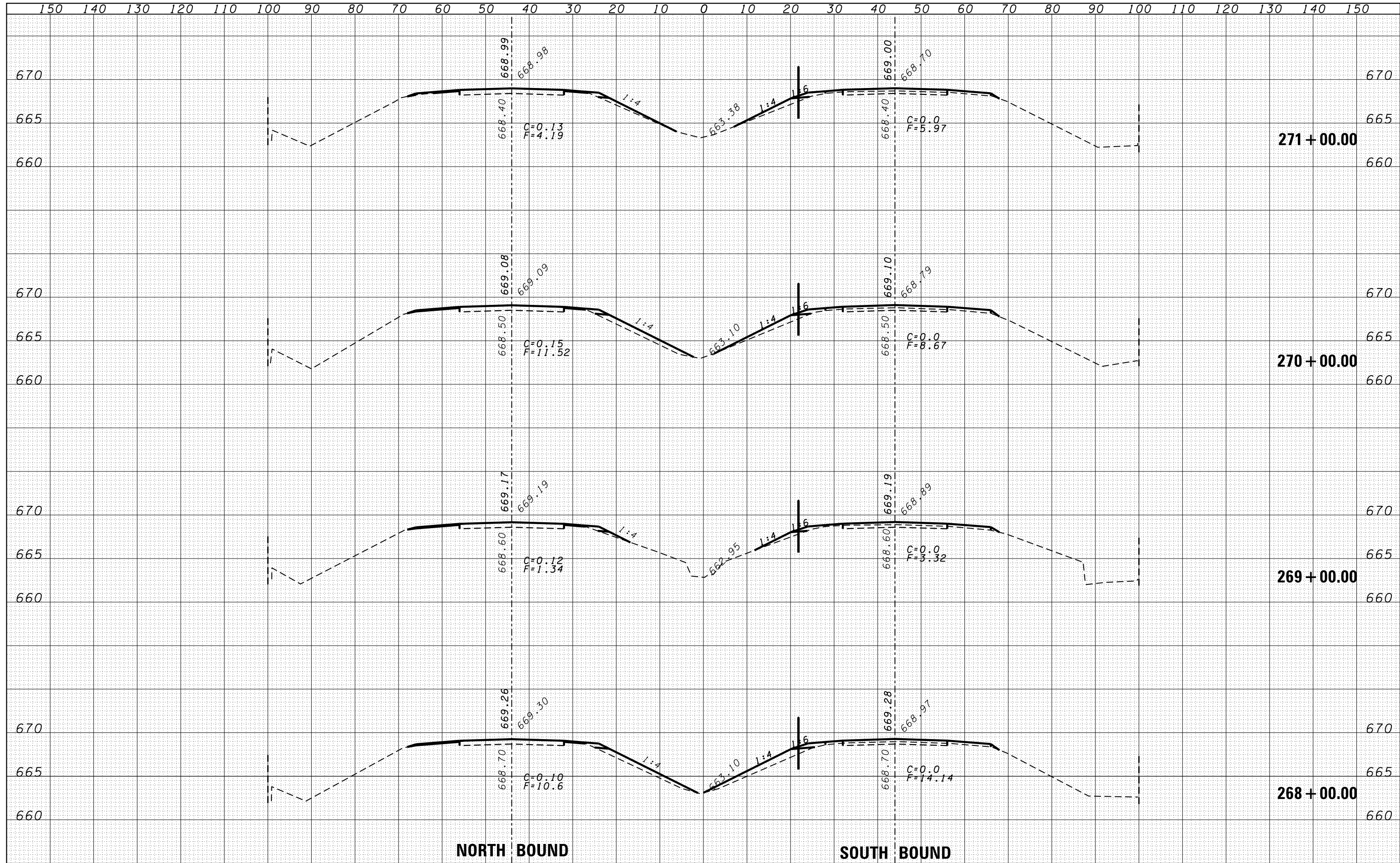
NORTH BOUND

SOUTH BOUND

| | | | | | | | | | | | | |
|--|----------------------|------------|---|---|-----------------------|--|--|-------------|----------|--------|--------------|-----------|
| FILE NAME = | USER NAME = duncanbd | DESIGNED - | REVISD - | STATE OF ILLINOIS DEPARTMENT OF TRANSPORTATION | CROSS SECTIONS | | | F.A.I. RTE. | SECTION | COUNTY | TOTAL SHEETS | SHEET NO. |
| es:\pw\work\pwt\dot\duncanbd\d0319542\0366C53-sh | DRAWN - | REVISD - | 57 | | | | | (38-3)RS-2 | IROQUOIS | 186 | 122 | |
| PLOT SCALE = 20.0000' / in. | CHECKED - | REVISD - | CONTRACT NO. 66C53 | | | | | | | | | |
| PLOT DATE = 6/10/2014 | DATE - | REVISD - | FED. ROAD DIST. NO. ILLINOIS FED. AID PROJECT | | | | | | | | | |

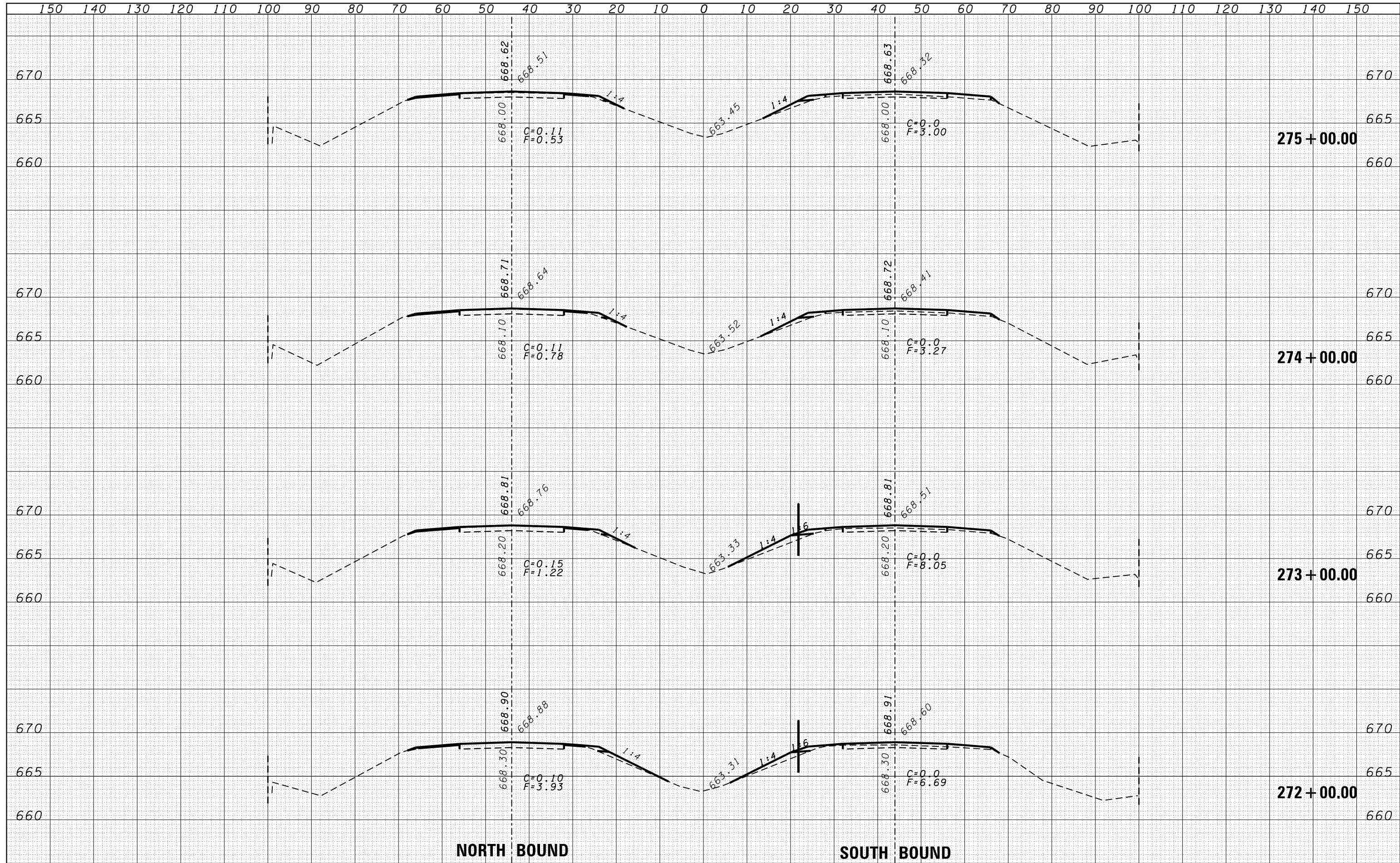
| | |
|-----------------|--|
| DATE | |
| BY | |
| ORIGINAL SURVEY | |
| SURVEYED | |
| PLOTTED | |
| TEMPLATE | |
| AREAS | |
| CHECKED | |
| NO. | |

| | |
|-----------------|--|
| DATE | |
| BY | |
| ORIGINAL SURVEY | |
| SURVEYED | |
| PLOTTED | |
| TEMPLATE | |
| AREAS | |
| CHECKED | |
| NO. | |



| | |
|--------------|----------|
| DATE | |
| BY | |
| FINAL SURVEY | SURVEYED |
| NOTE BOOK | PLOTTED |
| NO. | TEMPLATE |
| | AREAS |
| | CHECKED |

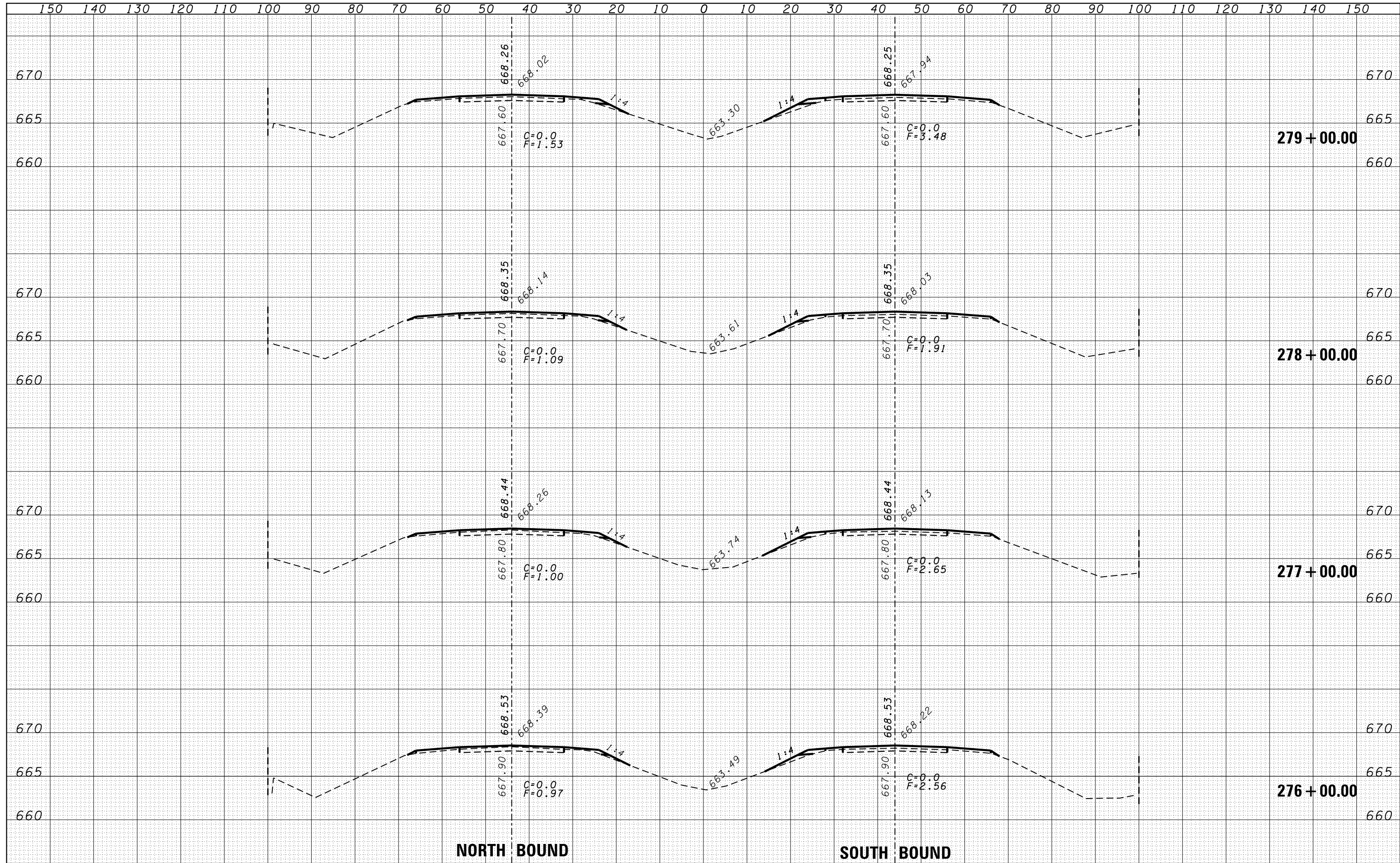
| | |
|-----------------|----------|
| DATE | |
| BY | |
| ORIGINAL SURVEY | SURVEYED |
| NOTE BOOK | PLOTTED |
| NO. | TEMPLATE |
| | AREAS |
| | CHECKED |



| | | | | | | | | | | | | |
|--|----------------------|------------|---|---|-----------------------|--|--|-------------|----------|--------|--------------|-----------|
| FILE NAME = | USER NAME = duncanbd | DESIGNED - | REVISÉD - | STATE OF ILLINOIS DEPARTMENT OF TRANSPORTATION | CROSS SECTIONS | | | F.A.I. RTE. | SECTION | COUNTY | TOTAL SHEETS | SHEET NO. |
| es:\pw\work\pwtodot\duncanbd\d0319542\0366C53-sh | DRAWN - | REVISÉD - | 57 | | | | | (38-3)RS-2 | IROQUOIS | 186 | 124 | |
| PLOT SCALE = 20.0000' / in. | CHECKED - | REVISÉD - | CONTRACT NO. 66C53 | | | | | | | | | |
| PLOT DATE = 6/10/2014 | DATE - | REVISÉD - | FED. ROAD DIST. NO. ILLINOIS FED. AID PROJECT | | | | | | | | | |

| | |
|--------------|----------|
| DATE | |
| BY | |
| FINAL SURVEY | SURVEYED |
| NOTE BOOK | PLOTTED |
| NO. | TEMPLATE |
| | AREAS |
| | CHECKED |

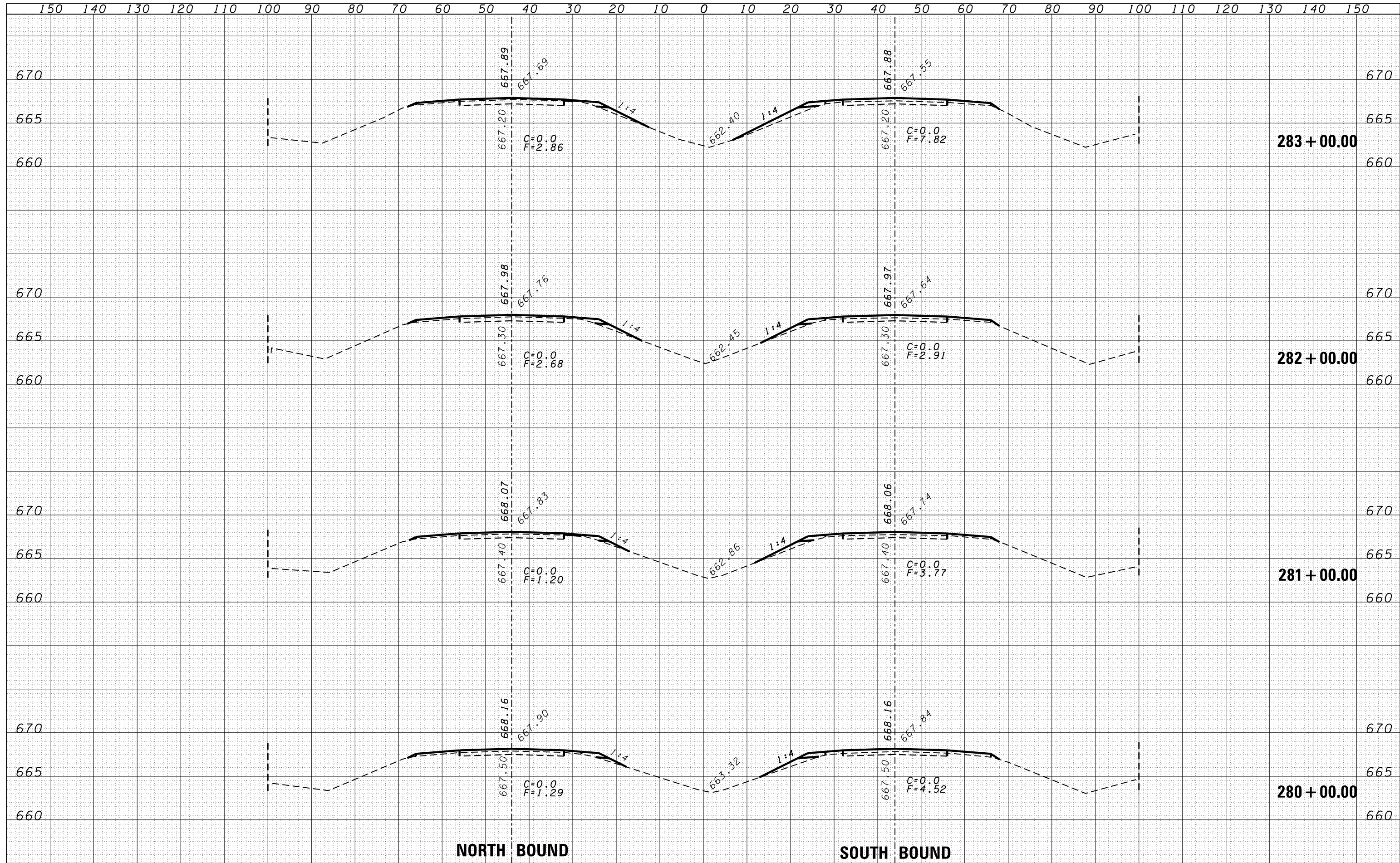
| | |
|-----------------|----------|
| DATE | |
| BY | |
| ORIGINAL SURVEY | SURVEYED |
| NOTE BOOK | PLOTTED |
| NO. | TEMPLATE |
| | AREAS |
| | CHECKED |



| | | | | | | | | | | | |
|--|----------------------|------------|---|---|-----------------------|-------------|----------|--------|----------------------------------|-----------|--|
| FILE NAME = | USER NAME = duncanbd | DESIGNED - | REVISIED - | STATE OF ILLINOIS DEPARTMENT OF TRANSPORTATION | CROSS SECTIONS | F.A.I. RTE. | SECTION | COUNTY | TOTAL SHEETS | SHEET NO. | |
| es:\pw\work\pwt\dot\duncanbd\d0319542\0366C53-sh | DRAWN - | REVISIED - | 57 | | | 138-31RS-2 | IROQUOIS | 186 | 125 | | |
| PLOT SCALE = 20.0000' / in. | CHECKED - | REVISIED - | CONTRACT NO. 66C53 | | | | | | | | |
| PLOT DATE = 6/10/2014 | DATE - | REVISIED - | FED. ROAD DIST. NO. ILLINOIS FED. AID PROJECT | | | | | | | | |
| SCALE: | | | | | | SHEET NO. | OF | SHEETS | STA. 276+00.00 TO STA. 279+00.00 | | |

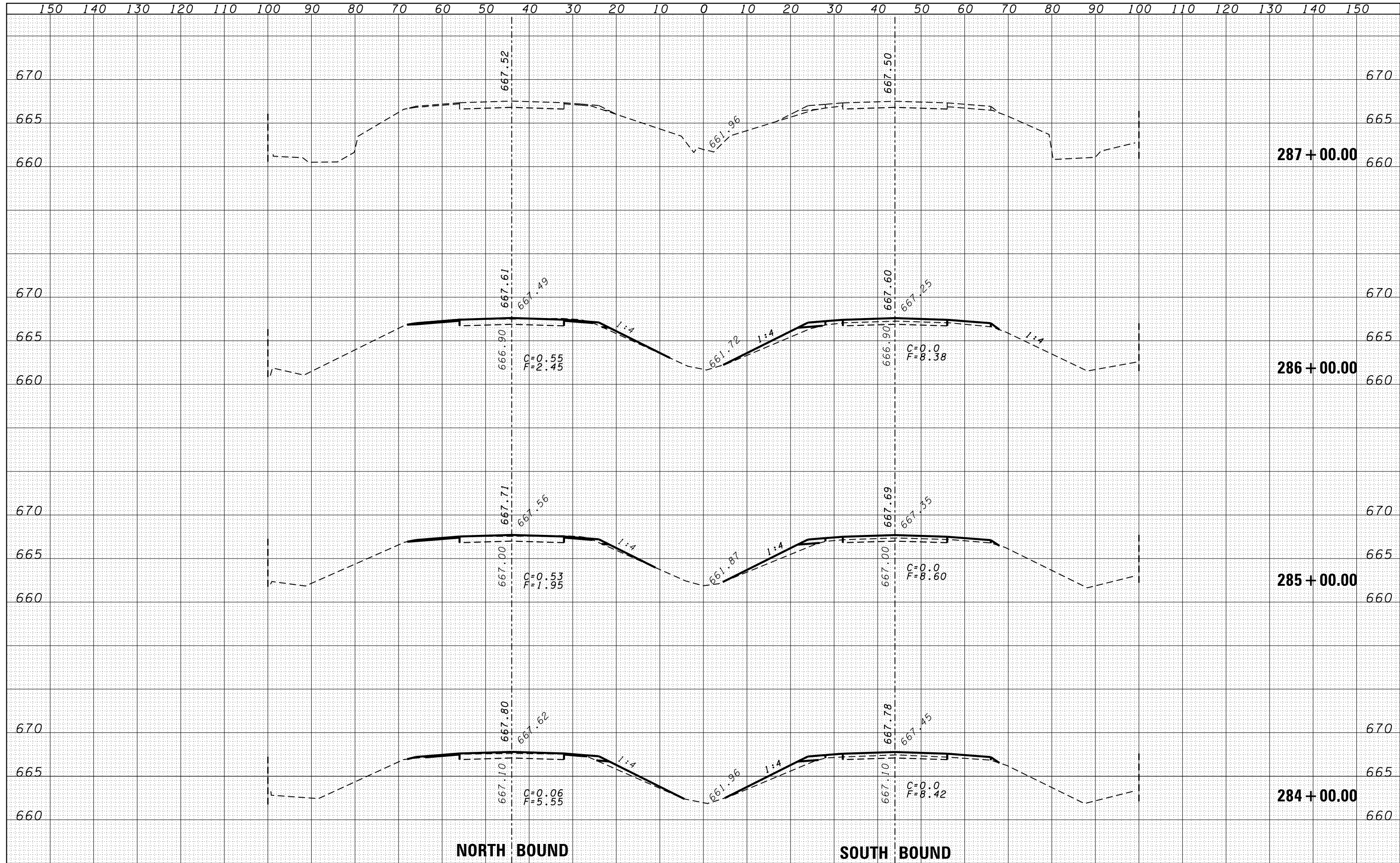
| | |
|-----------------|--|
| DATE | |
| BY | |
| ORIGINAL SURVEY | |
| SURVEYED | |
| PLOTTED | |
| TEMPLATE | |
| NOTE BOOK | |
| AREAS | |
| CHECKED | |
| NO. | |

| | |
|-----------------|--|
| DATE | |
| BY | |
| ORIGINAL SURVEY | |
| SURVEYED | |
| PLOTTED | |
| TEMPLATE | |
| NOTE BOOK | |
| AREAS | |
| CHECKED | |
| NO. | |



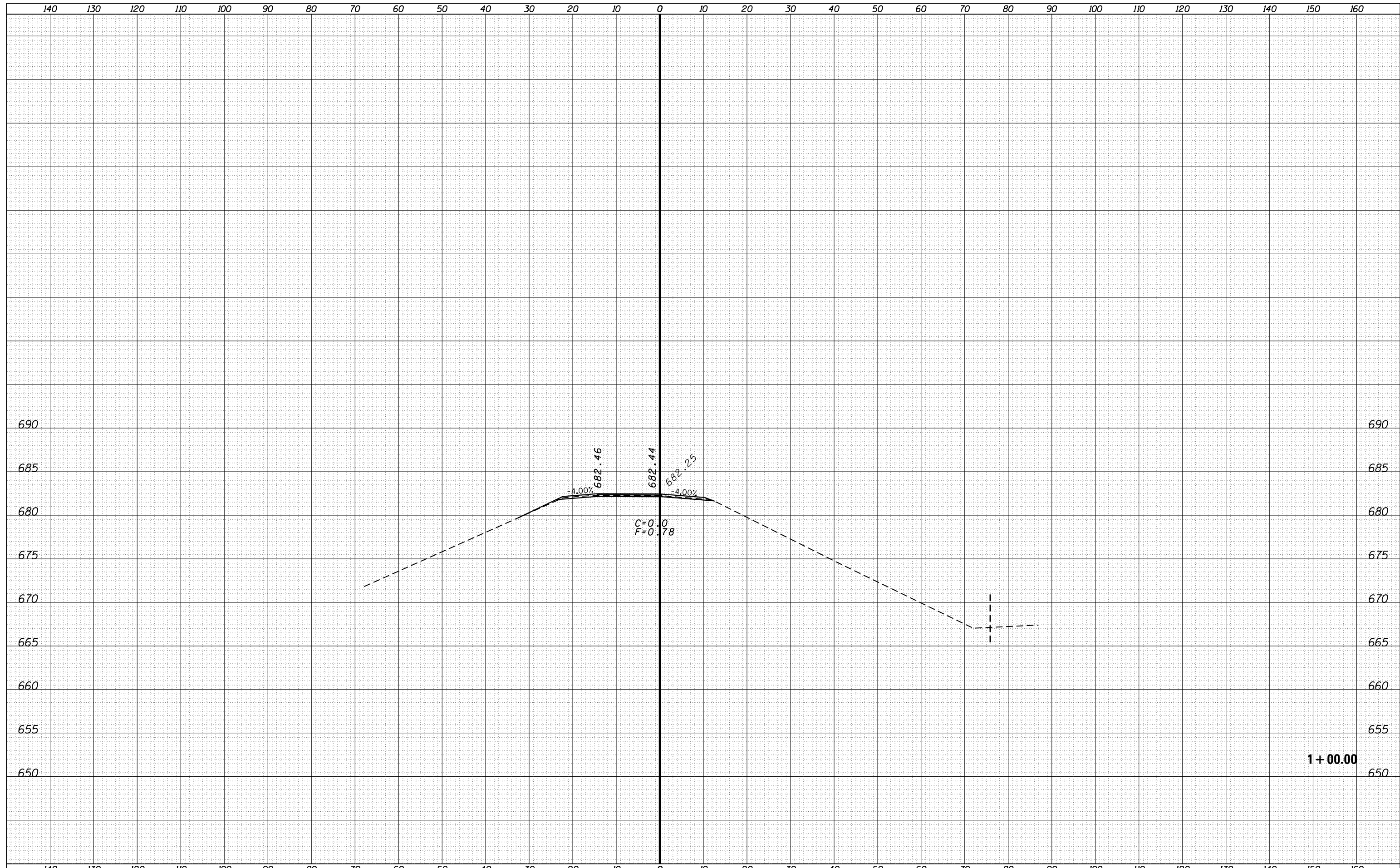
| | |
|-----------------|--|
| DATE | |
| BY | |
| ORIGINAL SURVEY | |
| SURVEYED | |
| PLOTTED | |
| TEMPLATE | |
| AREAS | |
| CHECKED | |
| NO. | |

| | |
|-----------------|--|
| DATE | |
| BY | |
| ORIGINAL SURVEY | |
| SURVEYED | |
| PLOTTED | |
| TEMPLATE | |
| AREAS | |
| CHECKED | |
| NO. | |



| | |
|--------------|----------|
| DATE | |
| BY | |
| FINAL SURVEY | SURVEYED |
| NOTE BOOK | PLOTTED |
| NO. | TEMPLATE |
| | AREAS |
| | CHECKED |

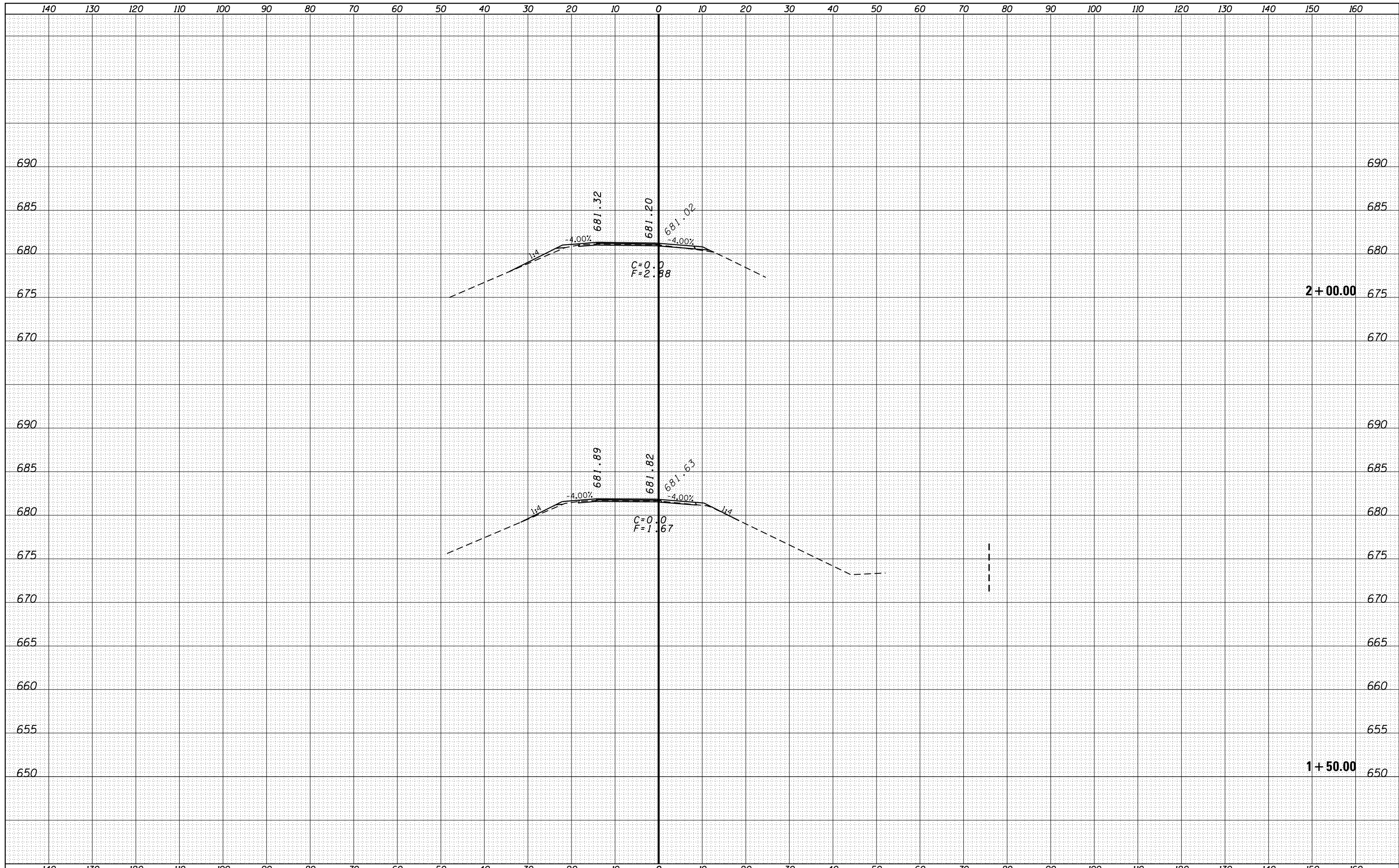
| | |
|-----------------|----------|
| DATE | |
| BY | |
| ORIGINAL SURVEY | SURVEYED |
| NOTE BOOK | PLOTTED |
| NO. | TEMPLATE |
| | AREAS |
| | CHECKED |



| | | | | | | | | | | | | |
|---|-----------------------------|------------|-----------|---|--------------------------------|-------|----|-------------|--------------|-----------------|---|-----------|
| FILE NAME = | USER NAME = duncanbd | DESIGNED - | REVISED - | STATE OF ILLINOIS DEPARTMENT OF TRANSPORTATION | CROSS SECTIONS - RAMP A | | | F.A.I. RTE. | SECTION | COUNTY | TOTAL SHEETS | SHEET NO. |
| es:\pw_work\pwidot\duncanbd\d0319542\0366C53-xshtrmpa.dgn | DRAWN - | REVISED - | 57 | | | | | (38-3)RS-2 | IROQUOIS | 186 | 129 | |
| Default | PLOT SCALE = 20.0000' / in. | CHECKED - | REVISED - | | SCALE: | SHEET | OF | SHEETS | STA. 1+00.00 | TO STA. 1+00.00 | ILLINOIS FED. AID PROJECT CONTRACT NO. 66C53 | |
| | PLOT DATE = 6/10/2014 | DATE - | REVISED - | | | | | | | | | |

| | |
|--------------|----------|
| DATE | |
| BY | |
| FINAL SURVEY | SURVEYED |
| NOTE BOOK | PLOTTED |
| NO. | TEMPLATE |
| | AREAS |
| | CHECKED |

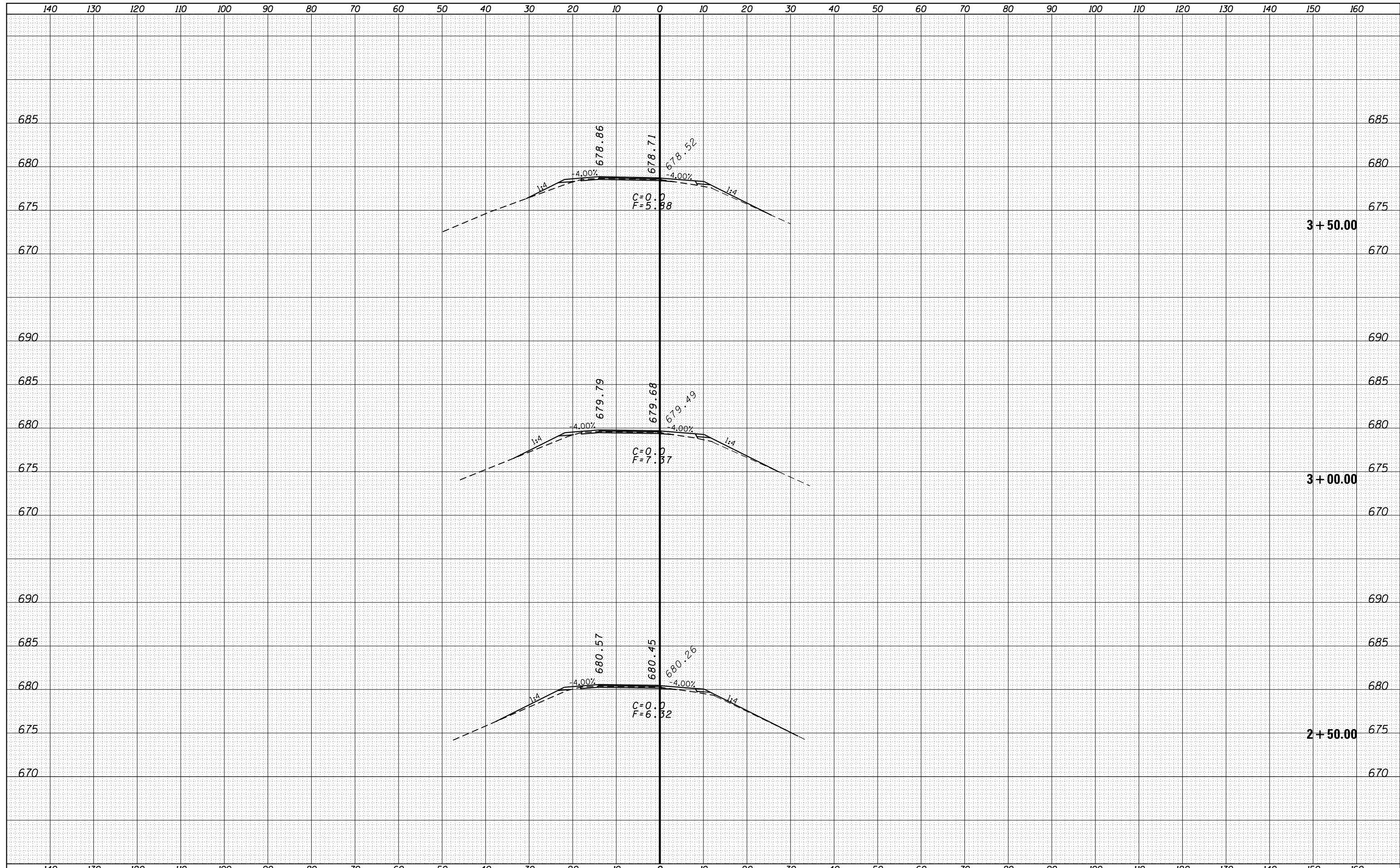
| | |
|-----------------|----------|
| DATE | |
| BY | |
| ORIGINAL SURVEY | SURVEYED |
| NOTE BOOK | PLOTTED |
| NO. | TEMPLATE |
| | AREAS |
| | CHECKED |

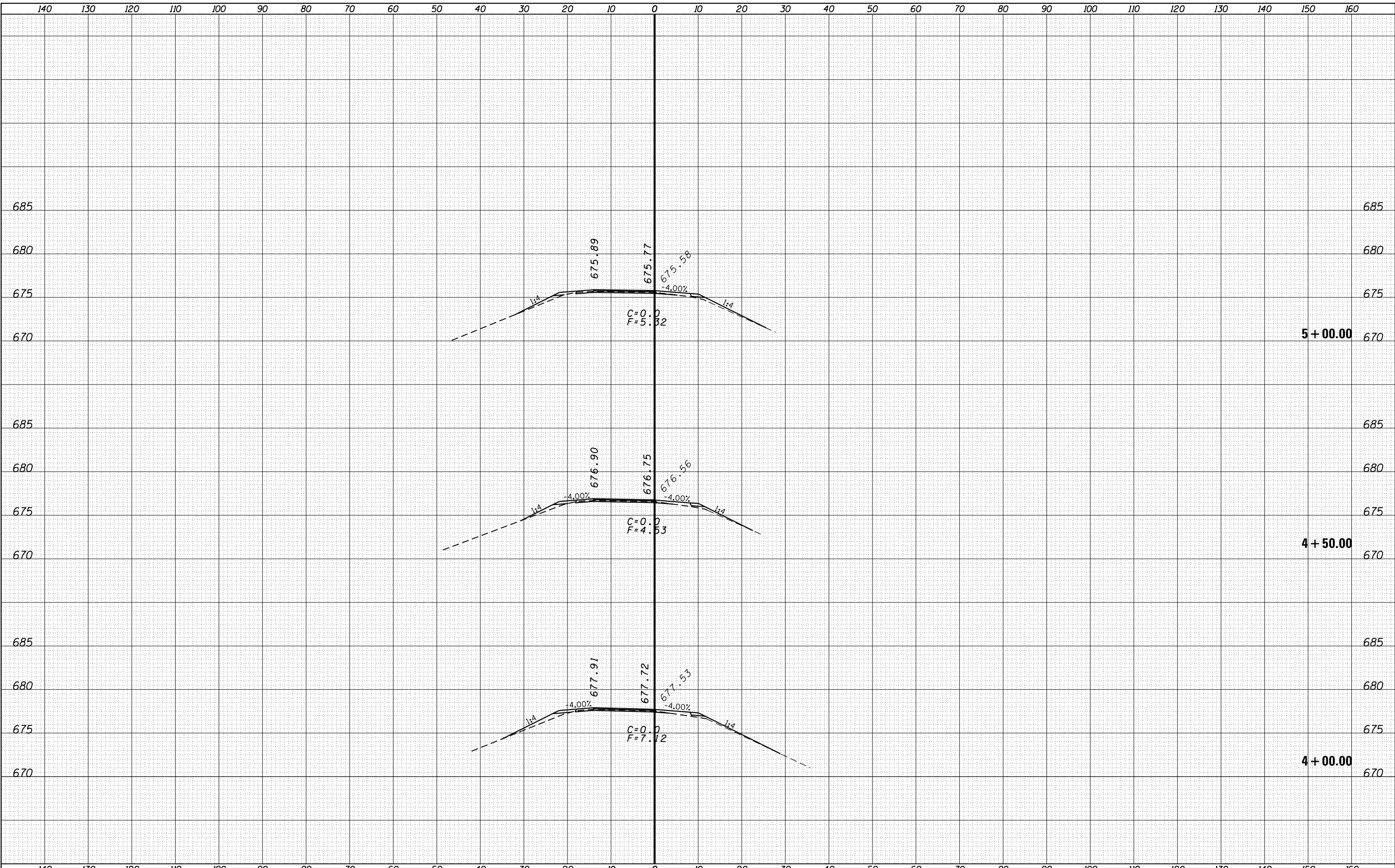


| | | | | | | | | | |
|--|-----------------------------|------------|-----------|---|--------------------|-----------------|---------------------------|-----------------|-----------|
| FILE NAME = | USER NAME = duncanbd | DESIGNED - | REVISÉD - | <p align="center">STATE OF ILLINOIS DEPARTMENT OF TRANSPORTATION</p> <p align="center">CROSS SECTIONS - RAMP A</p> | F.A.I. RTÉ. | SECTION | COUNTY | TOTAL SHEETS | SHEET NO. |
| es:\pw_work\pwidot\duncanbd\0319542\0366C53-xshtrmpa.dgn | | DRAWN - | REVISÉD - | | 57 | (38-3)RS-2 | IROQUOIS | 186 | 130 |
| Default | PLOT SCALE = 20.0000' / in. | CHECKED - | REVISÉD - | | CONTRACT NO. 66C53 | | ILLINOIS FED. AID PROJECT | | |
| | PLOT DATE = 6/10/2014 | DATE - | REVISÉD - | | SCALE: | SHEET OF SHEETS | STA. 1+50.00 | TO STA. 2+00.00 | |

| | |
|--------------|----------|
| DATE | |
| BY | |
| FINAL SURVEY | SURVEYED |
| NOTE BOOK | PLOTTED |
| NO. | TEMPLATE |
| | AREAS |
| | CHECKED |

| | |
|-----------------|----------|
| DATE | |
| BY | |
| ORIGINAL SURVEY | SURVEYED |
| NOTE BOOK | PLOTTED |
| NO. | TEMPLATE |
| | AREAS |
| | CHECKED |





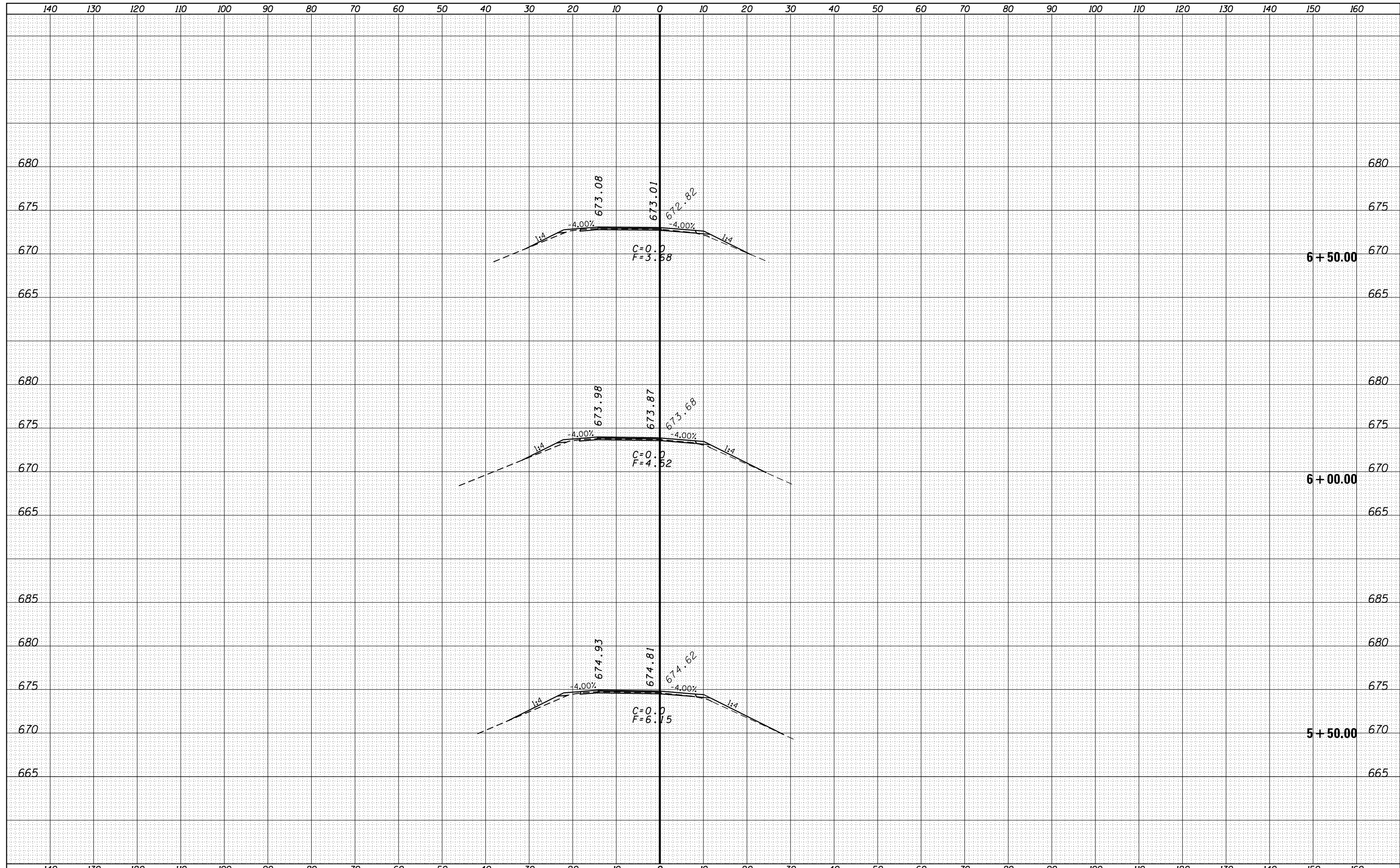
| | |
|----|------|
| BY | DATE |
| | |
| | |
| | |
| | |
| | |
| | |
| | |
| | |
| | |
| | |
| | |
| | |

| | |
|----|------|
| BY | DATE |
| | |
| | |
| | |
| | |
| | |
| | |
| | |
| | |
| | |
| | |
| | |
| | |

| | | | | | | | | | | | | | |
|--|------------------------------|------------|-----------|--|--------------------------------|------------|----------|--------|--------------|-----------------|--------------------|--------------|-----------|
| FILE NAME = | USER NAME = duncanbd | DESIGNED - | REVISED - | <p align="center">STATE OF ILLINOIS DEPARTMENT OF TRANSPORTATION</p> | CROSS SECTIONS - RAMP A | | | | F.A.I. RTÉ. | SECTION | COUNTY | TOTAL SHEETS | SHEET NO. |
| es:\pw_work\pvidot\duncanbd\0315542\0366C53-xshtrmpa.dgn | | DRAWN - | REVISED - | | 57 | (38-3)RS-2 | IROQUOIS | 186 | 132 | | | | |
| Default | PLOT SCALE = 20.0000 ' / in. | CHECKED - | REVISED - | | SCALE: | SHEET | OF | SHEETS | STA. 4+00.00 | TO STA. 5+00.00 | CONTRACT NO. 66C53 | | |
| | PLOT DATE = 6/10/2014 | DATE - | REVISED - | | ILLINOIS FED. AID PROJECT | | | | | | | | |

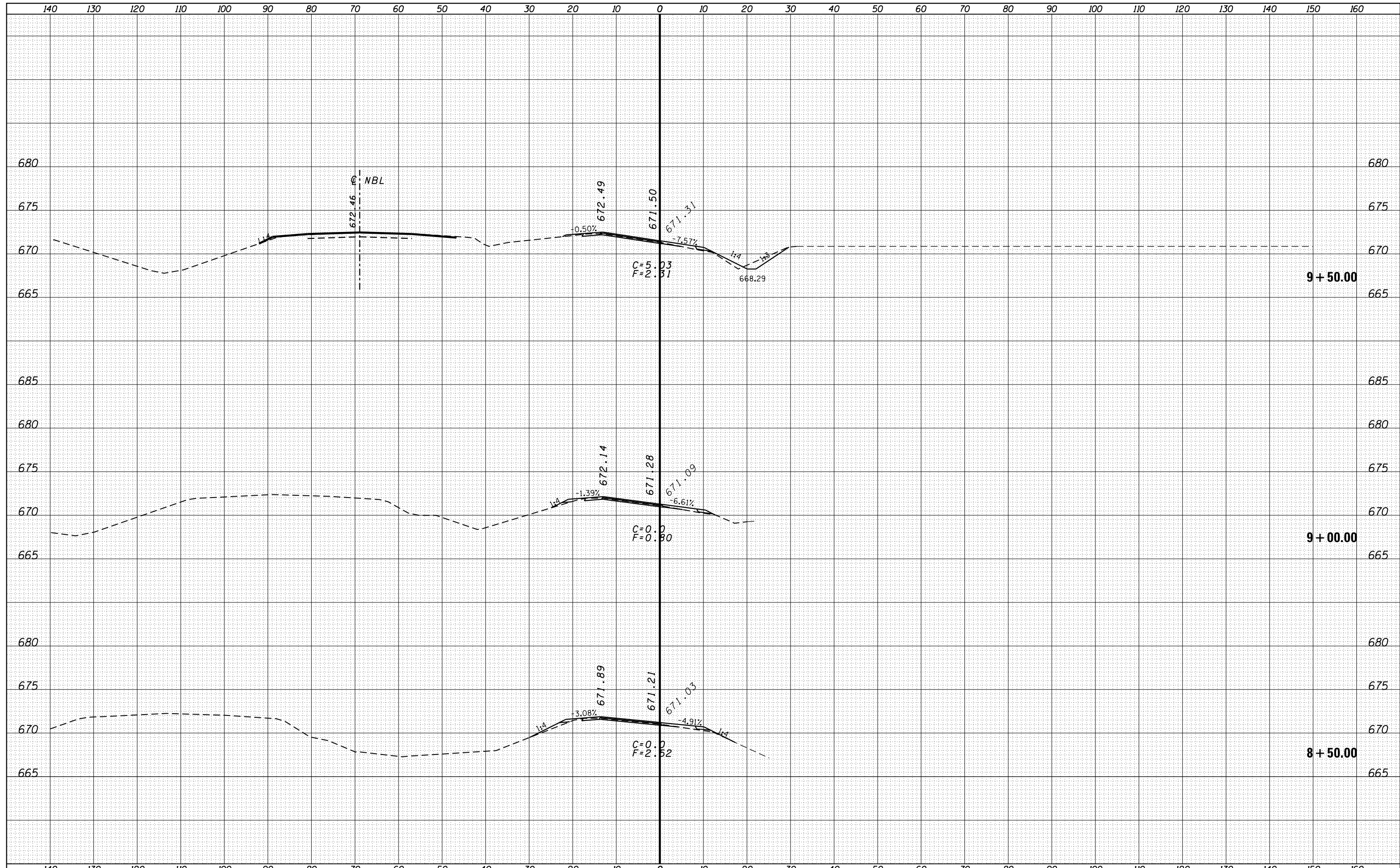
| | |
|--------------|--|
| DATE | |
| BY | |
| SURVEYED | |
| PLOTTED | |
| TEMPLATE | |
| AREAS | |
| CHECKED | |
| FINAL SURVEY | |
| NOTE BOOK | |
| NO. | |

| | |
|-----------------|--|
| DATE | |
| BY | |
| SURVEYED | |
| PLOTTED | |
| TEMPLATE | |
| AREAS | |
| CHECKED | |
| ORIGINAL SURVEY | |
| NOTE BOOK | |
| NO. | |



| | |
|--------------|--|
| DATE | |
| BY | |
| SURVEYED | |
| PLOTTED | |
| TEMPLATE | |
| AREAS | |
| CHECKED | |
| FINAL SURVEY | |
| NOTE BOOK | |
| NO. | |

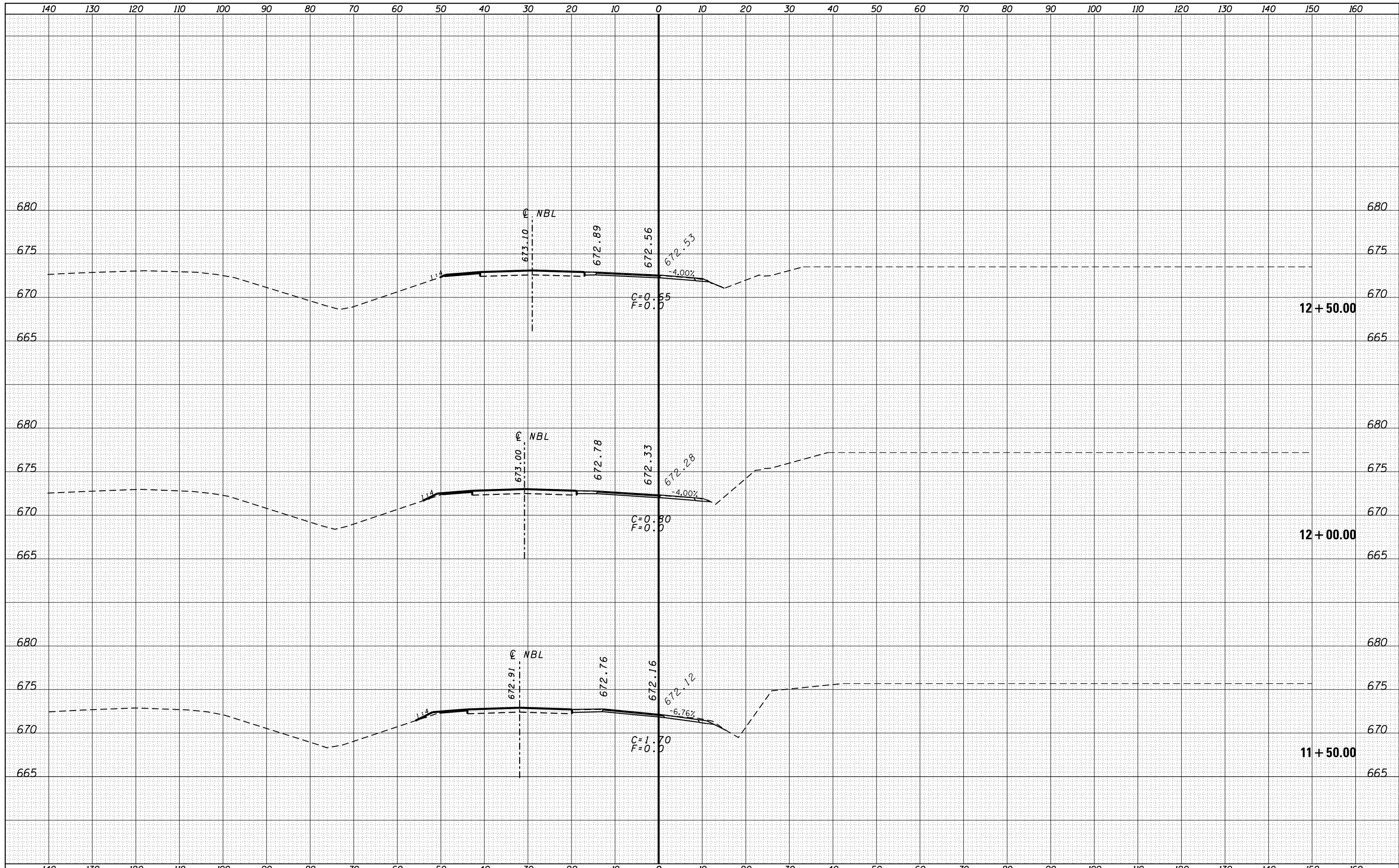
| | |
|-----------------|--|
| DATE | |
| BY | |
| SURVEYED | |
| PLOTTED | |
| TEMPLATE | |
| AREAS | |
| CHECKED | |
| ORIGINAL SURVEY | |
| NOTE BOOK | |
| NO. | |



| | | | | | | | | | | | |
|--|----------------------|------------|-----------|---|--------------------------------|------------|-----------------|---------|------------------------------|--------------------|-----------|
| FILE NAME = | USER NAME = duncanbd | DESIGNED - | REVISÉD - | STATE OF ILLINOIS DEPARTMENT OF TRANSPORTATION | CROSS SECTIONS - RAMP A | | F.A.I. RTÉ. | SECTION | COUNTY | TOTAL SHEETS | SHEET NO. |
| es:\pw_work\pwidot\duncanbd\0319542\0366C53-xshtrmpa.dgn | | DRAWN - | REVISÉD - | | 57 | (38-3)RS-2 | IROQUOIS | 186 | 135 | | |
| PLOT SCALE = 20.0000' / in. | | CHECKED - | REVISÉD - | | SCALE: | | SHEET OF SHEETS | | STA. 8+50.00 TO STA. 9+50.00 | CONTRACT NO. 66C53 | |
| PLOT DATE = 6/10/2014 | | DATE - | REVISÉD - | | ILLINOIS FED. AID PROJECT | | | | | | |

| | |
|------------------|---|
| DATE | BY |
| | |
| | |
| | |
| FINAL SURVEY NO. | SURVEYED PLOTTED TEMPLATE AREAS CHECKED |

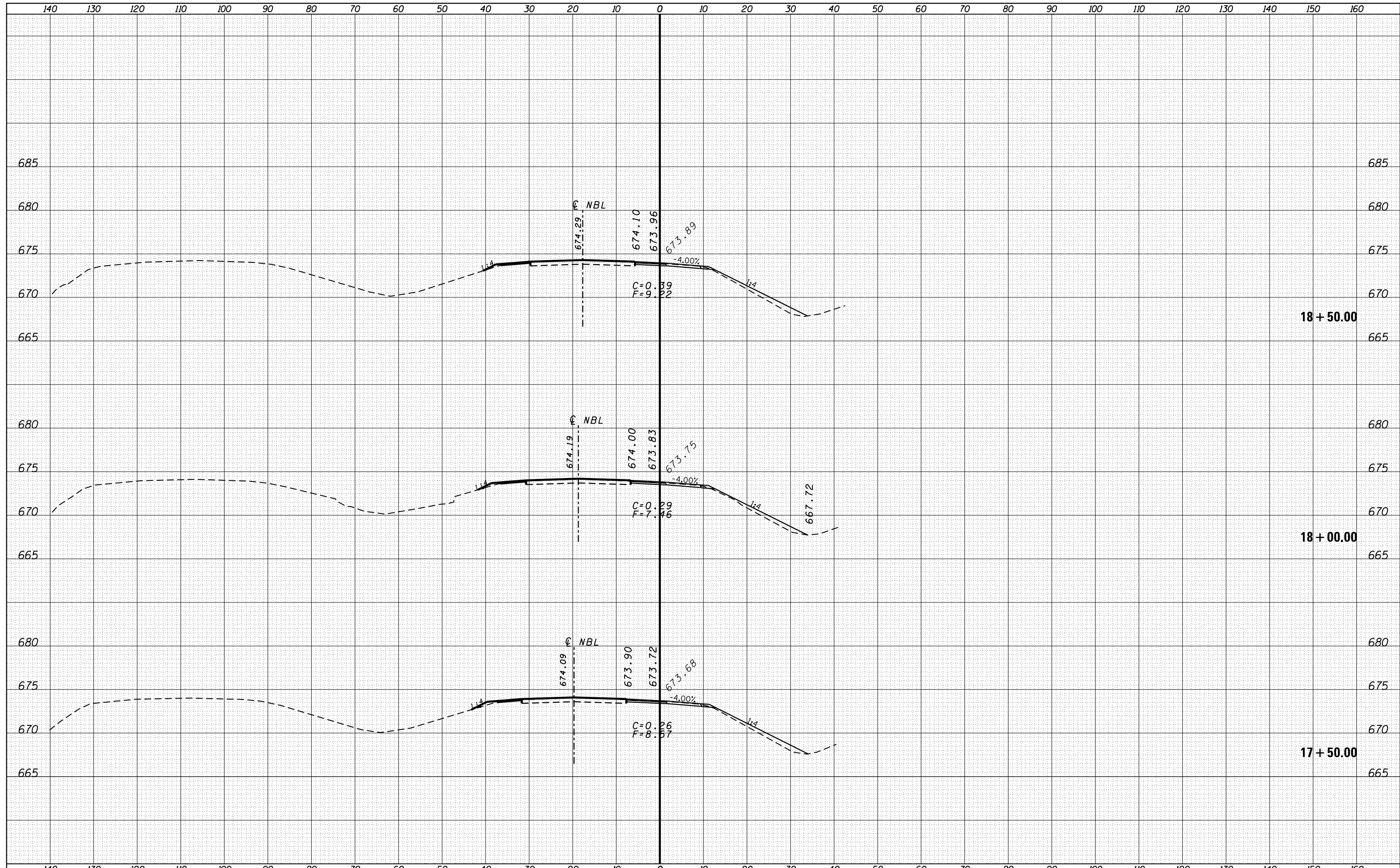
| | |
|---------------------|---|
| DATE | BY |
| | |
| | |
| | |
| ORIGINAL SURVEY NO. | SURVEYED PLOTTED TEMPLATE AREAS CHECKED |



| | | | | | | | | | | | | |
|---|-----------------------------|------------|-----------|---|---|--|--|--------------------|------------|----------|--------------|-----------|
| FILE NAME = | USER NAME = duncanbd | DESIGNED - | REVISED - | STATE OF ILLINOIS DEPARTMENT OF TRANSPORTATION | CROSS SECTIONS - RAMP A | | | F.A.I. RTÉ. | SECTION | COUNTY | TOTAL SHEETS | SHEET NO. |
| es:\pw_work\pwidot\duncanbd\d0319542\0366C53-xshtrmpa.dgn | | DRAWN - | REVISED - | | | | | 57 | (38-3)RS-2 | IROQUOIS | 186 | 137 |
| Default | PLOT SCALE = 20.0000' / in. | CHECKED - | REVISED - | | SCALE: SHEET OF SHEETS STA. 11+50.00 TO STA. 12+50.00 | | | CONTRACT NO. 66C53 | | | | |
| | PLOT DATE = 6/10/2014 | DATE - | REVISED - | | ILLINOIS FED. AID PROJECT | | | | | | | |

| | |
|------------------|--|
| DATE | |
| BY | |
| SURVEYED | |
| PLOTTED | |
| TEMPLATE | |
| AREAS CHECKED | |
| FINAL SURVEY NO. | |
| NOTE BOOK NO. | |
| AREAS CHECKED | |

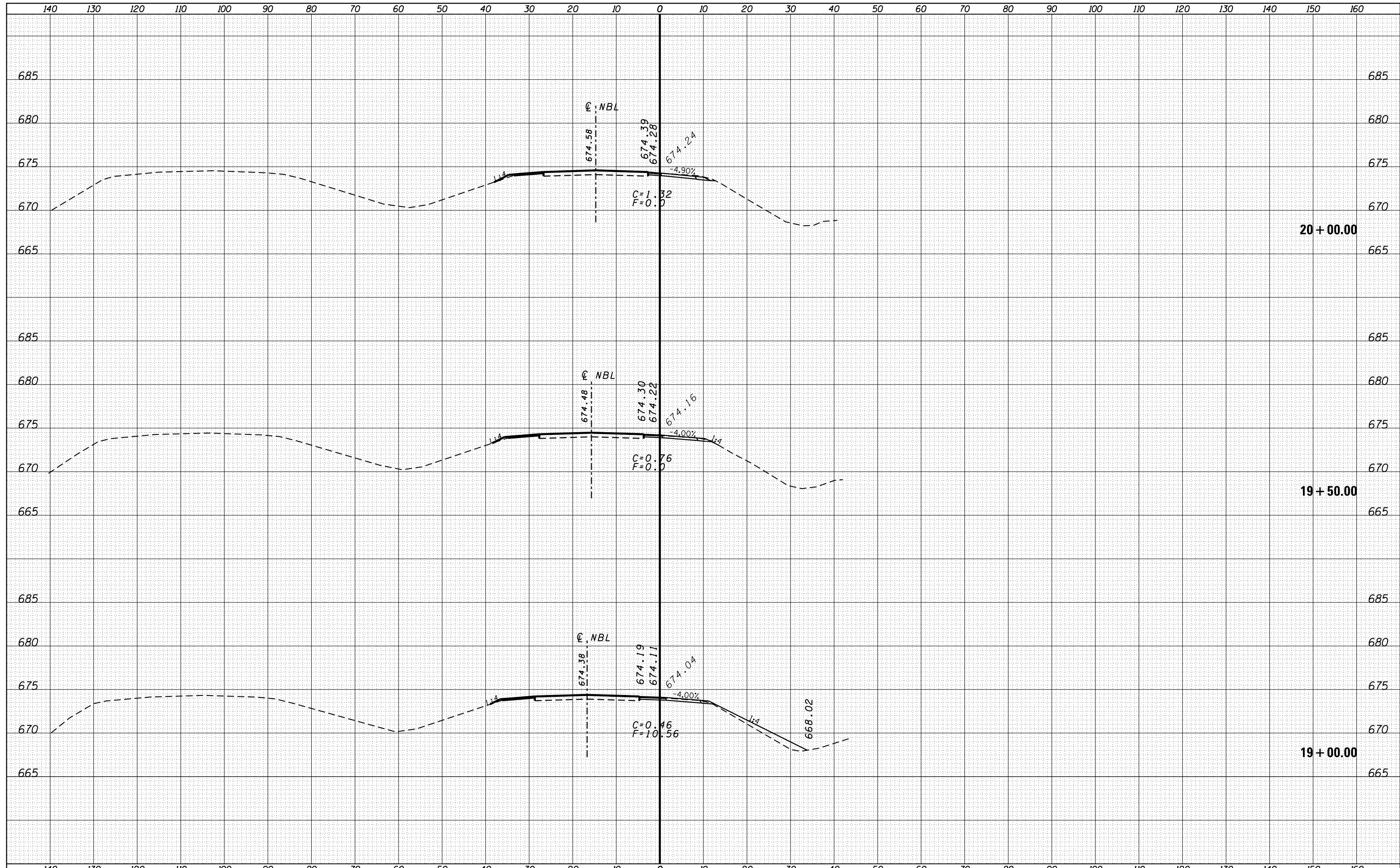
| | |
|---------------------|--|
| DATE | |
| BY | |
| SURVEYED | |
| PLOTTED | |
| TEMPLATE | |
| AREAS CHECKED | |
| ORIGINAL SURVEY NO. | |
| NOTE BOOK NO. | |
| AREAS CHECKED | |



| | | | | | | | | | | | |
|---|-----------------------------|------------|-----------|---|--------------------------------|--|--------------------|-----------------|--------------------------------|---------------------------|-----------|
| FILE NAME = | USER NAME = duncanbd | DESIGNED - | REVISÉD - | STATE OF ILLINOIS DEPARTMENT OF TRANSPORTATION | CROSS SECTIONS - RAMP A | | F.A.I. RTÉ. | SECTION | COUNTY | TOTAL SHEETS | SHEET NO. |
| es:\pw_work\pwidot\duncanbd\d0319542\0366C53-xshtrmpa.dgn | DRAWN - | REVISÉD - | 57 | | | | (38-3)RS-2 | IROQUOIS | 186 | 141 | |
| Default | PLOT SCALE = 20.0000' / in. | CHECKED - | REVISÉD - | | | | CONTRACT NO. 66C53 | | | | |
| | PLOT DATE = 6/10/2014 | DATE - | REVISÉD - | | | | SCALE: | SHEET OF SHEETS | STA. 17+50.00 TO STA. 18+50.00 | ILLINOIS FED. AID PROJECT | |

| | |
|-----------------|--|
| DATE | |
| BY | |
| ORIGINAL SURVEY | |
| SURVEYED | |
| PLOTTED | |
| TEMPLATE | |
| NOTE BOOK | |
| AREAS | |
| CHECKED | |
| NO. | |

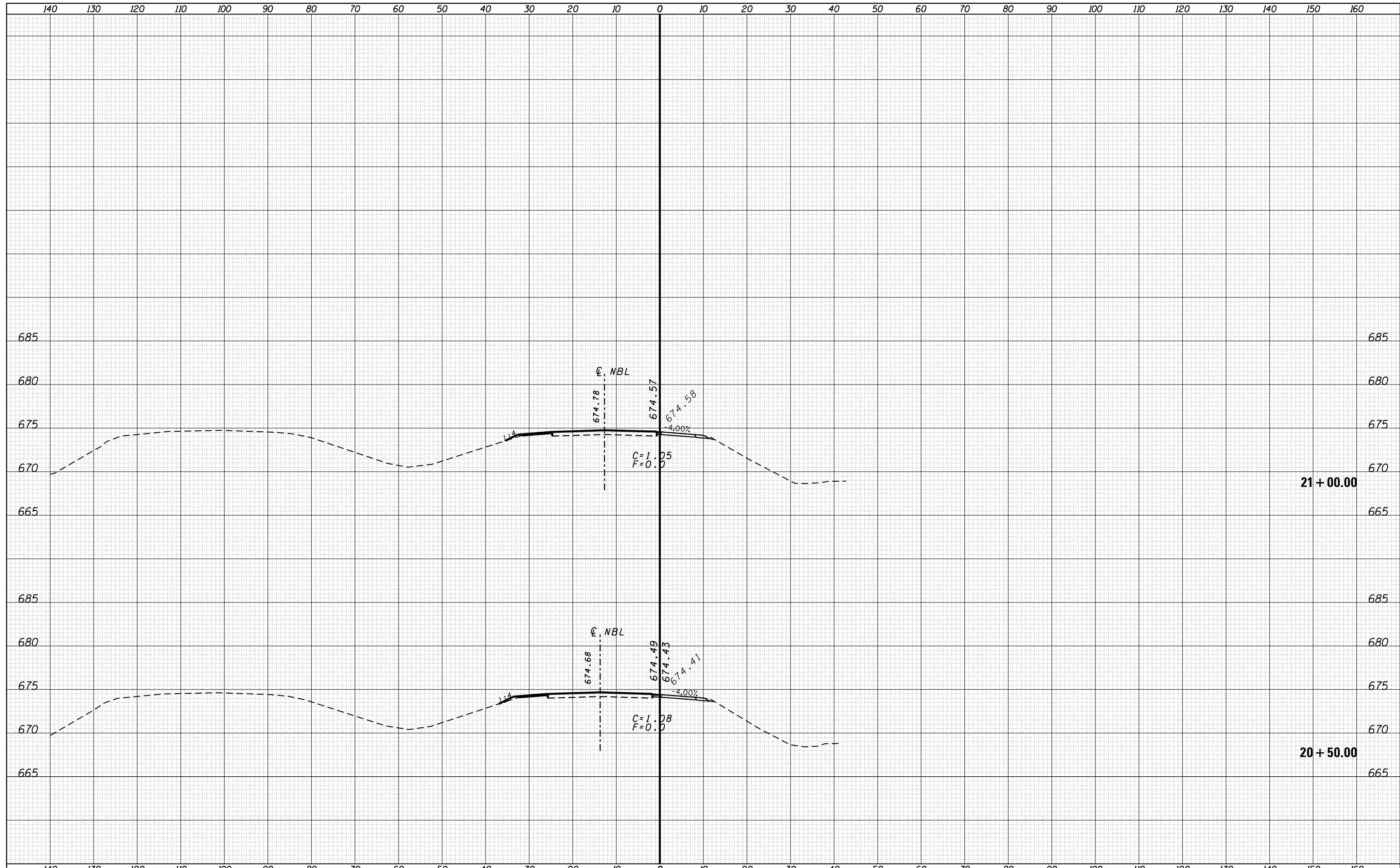
| | |
|-----------------|--|
| DATE | |
| BY | |
| ORIGINAL SURVEY | |
| SURVEYED | |
| PLOTTED | |
| TEMPLATE | |
| NOTE BOOK | |
| AREAS | |
| CHECKED | |
| NO. | |



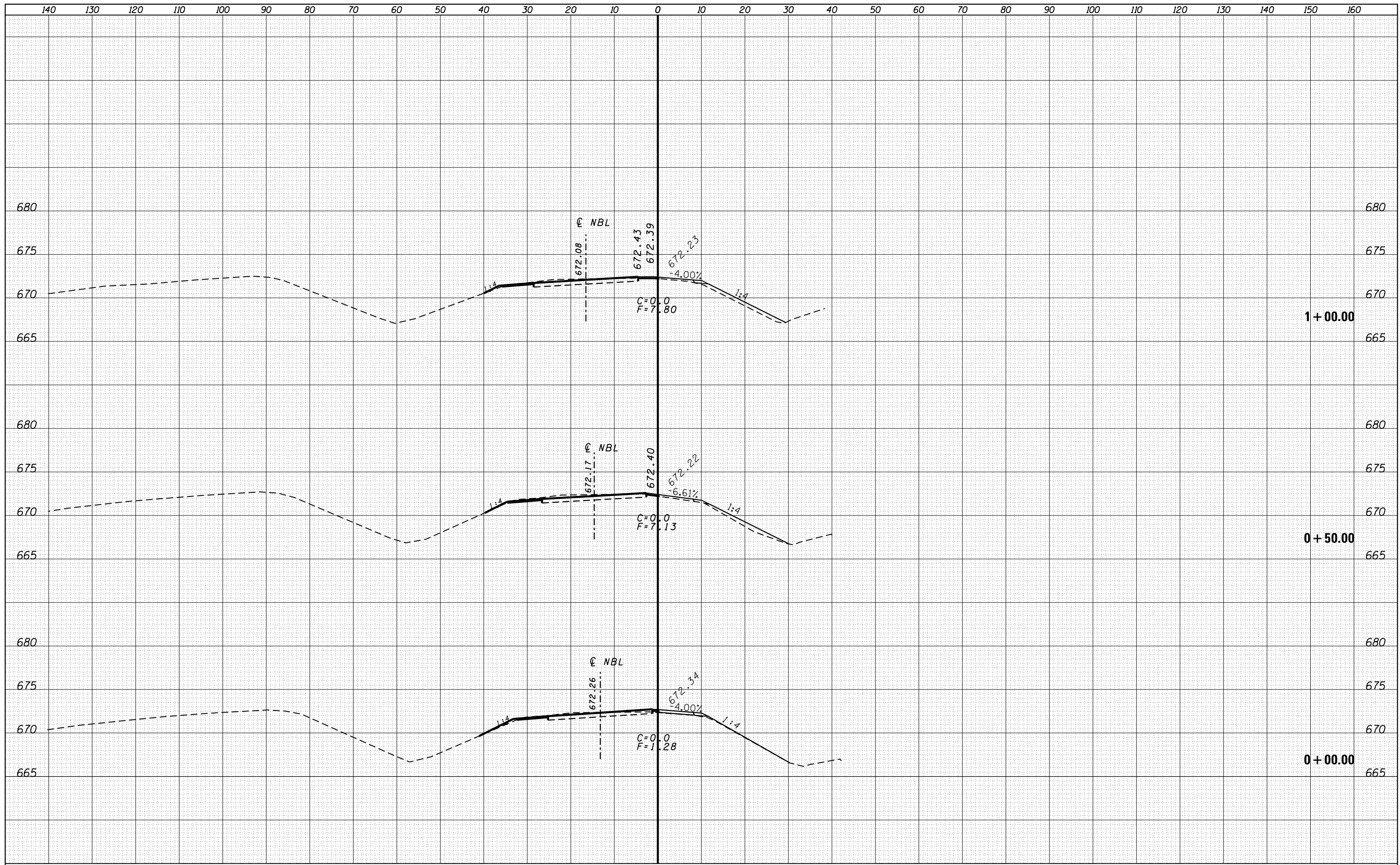
| | | | | | | | | | | | | |
|---|-----------------------------|------------|----------|---|--------------------------------|-------|-------------|----------|---------------|------------------|--------------------|---------------------------|
| FILE NAME = | USER NAME = duncanbd | DESIGNED - | REVISÉ - | STATE OF ILLINOIS DEPARTMENT OF TRANSPORTATION | CROSS SECTIONS - RAMP A | | F.A.I. RTÉ. | SECTION | COUNTY | TOTAL SHEETS | SHEET NO. | |
| es:\pw_work\pwidot\duncanbd\d0319542\0366C53-xshtrmpa.dgn | DRAWN - | REVISÉ - | 57 | | | | (38-3)RS-2 | IROQUOIS | 186 | 142 | | |
| Default | PLOT SCALE = 20.0000' / in. | CHECKED - | REVISÉ - | | SCALE: | SHEET | OF | SHEETS | STA. 19+00.00 | TO STA. 20+00.00 | CONTRACT NO. 66C53 | ILLINOIS FED. AID PROJECT |
| | PLOT DATE = 6/10/2014 | DATE - | REVISÉ - | | | | | | | | | |

| | |
|--------------|---------------|
| DATE | |
| BY | |
| FINAL SURVEY | SURVEYED |
| NOTE BOOK | PLOTTED |
| NO. | TEMPLATE |
| | AREAS CHECKED |

| | |
|-----------------|---------------|
| DATE | |
| BY | |
| ORIGINAL SURVEY | SURVEYED |
| NOTE BOOK | PLOTTED |
| NO. | TEMPLATE |
| | AREAS CHECKED |



| | | | | | | | | | | | | |
|---|-----------------------------|------------|-----------|---|--------------------------------|-------|----|-------------|---------------|------------------|--------------------|-----------|
| FILE NAME = | USER NAME = duncanbd | DESIGNED - | REVISÉD - | STATE OF ILLINOIS DEPARTMENT OF TRANSPORTATION | CROSS SECTIONS - RAMP A | | | F.A.I. RTÉ. | SECTION | COUNTY | TOTAL SHEETS | SHEET NO. |
| es:\pw_work\pwidot\duncanbd\d0319542\0366C53-xshtrmpa.dgn | DRAWN - | REVISÉD - | 57 | | | | | (38-3)RS-2 | IROQUOIS | 186 | 143 | |
| Default | PLOT SCALE = 20.0000' / in. | CHECKED - | REVISÉD - | | SCALE: | SHEET | OF | SHEETS | STA. 20+50.00 | TO STA. 21+00.00 | CONTRACT NO. 66C53 | |
| | PLOT DATE = 6/10/2014 | DATE - | REVISÉD - | | ILLINOIS FED. AID PROJECT | | | | | | | |



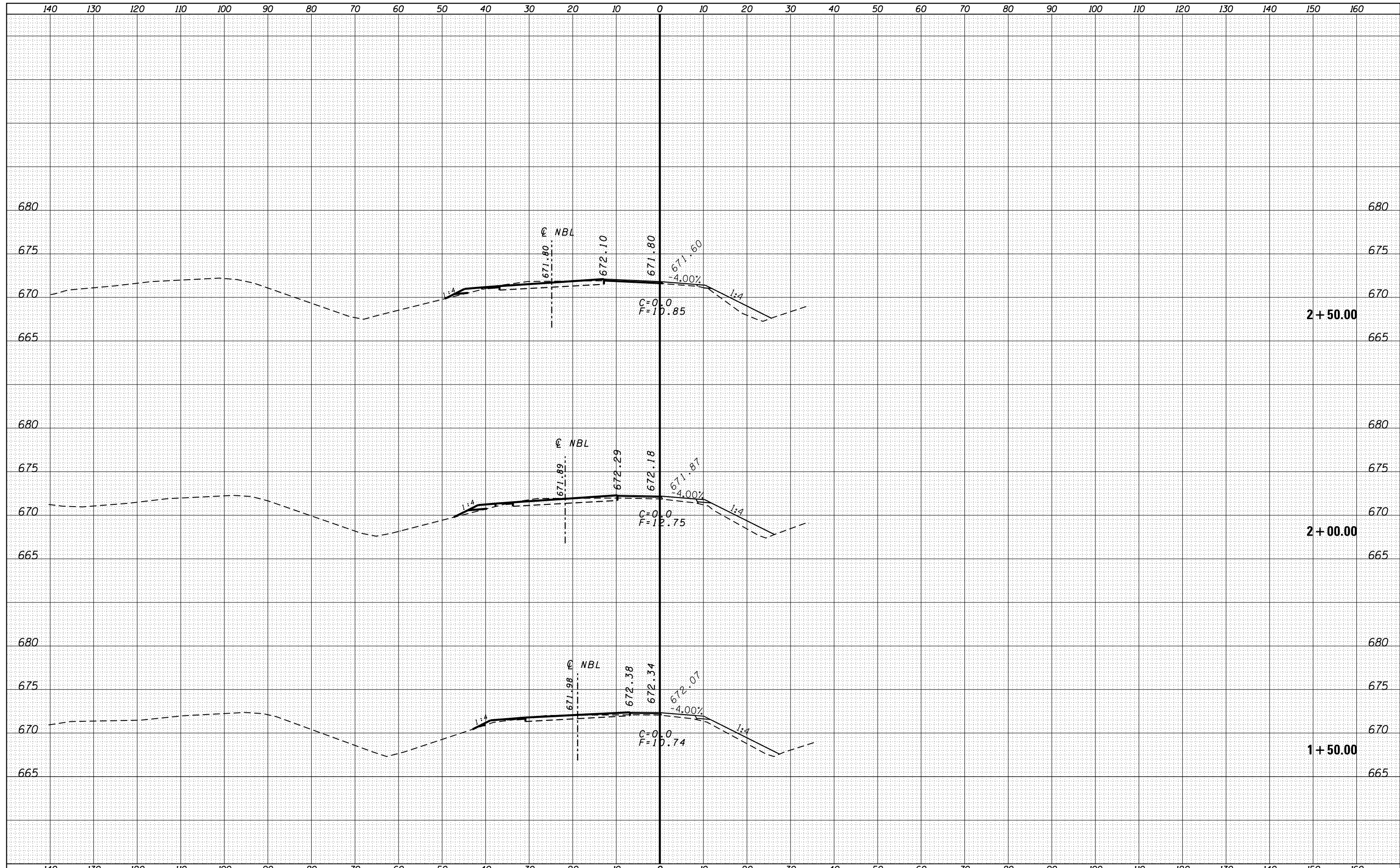
| | |
|--------------|----------|
| BY | DATE |
| FINAL SURVEY | SURVEYED |
| NOTE BOOK | PLOTTED |
| NO. | TEMPLATE |
| | AREAS |
| | CHECKED |

| | |
|-----------------|----------|
| BY | DATE |
| ORIGINAL SURVEY | SURVEYED |
| NOTE BOOK | PLOTTED |
| NO. | TEMPLATE |
| | AREAS |
| | CHECKED |

| | | | | | | | | | | | | |
|--|-----------------------------|------------|-----------|---|--------------------------------|------------|----------|-------------|-------------|-----------------|--------------------|-----------|
| FILE NAME = | USER NAME = duncanbd | DESIGNED - | REVISED - | STATE OF ILLINOIS DEPARTMENT OF TRANSPORTATION | CROSS SECTIONS - RAMP B | | | F.A.I. RTÉ. | SECTION | COUNTY | TOTAL SHEETS | SHEET NO. |
| es:\pw_work\pwordot\duncanbd\d0319542\0366C53-xshtrmpb.dgn | | DRAWN - | REVISED - | | 57 | (38-3)RS-2 | IROQUOIS | 186 | 144 | | | |
| Default | PLOT SCALE = 20.0000' / in. | CHECKED - | REVISED - | | SCALE: | SHEET | OF | SHEETS | STA. +00.00 | TO STA. 1+00.00 | CONTRACT NO. 66C53 | |
| | PLOT DATE = 6/10/2014 | DATE - | REVISED - | | ILLINOIS FED. AID PROJECT | | | | | | | |

| | |
|--------------|---------------|
| BY | DATE |
| | |
| FINAL SURVEY | SURVEYED |
| NOTE BOOK | PLOTTED |
| NO. | TEMPLATE |
| | AREAS CHECKED |

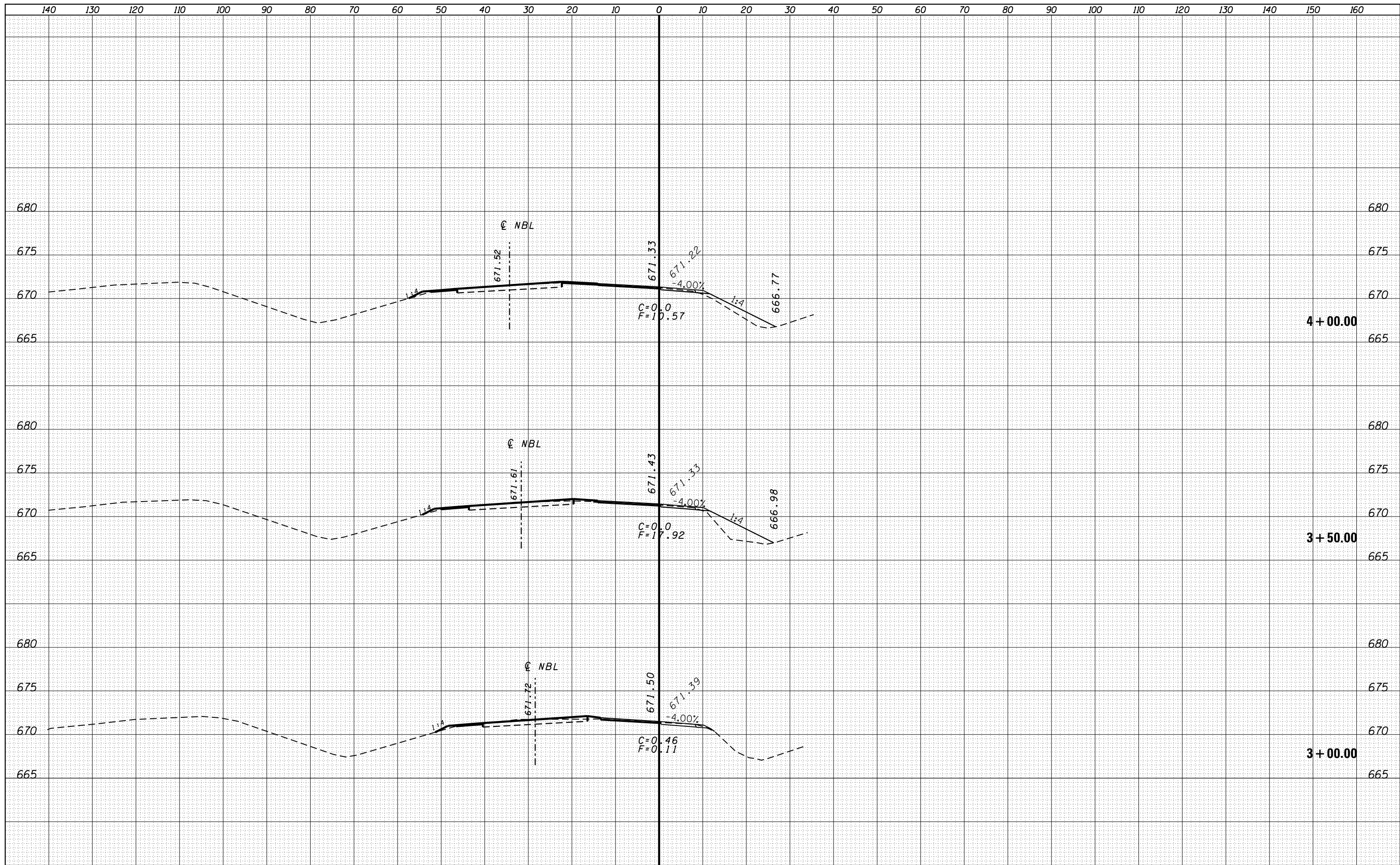
| | |
|-----------------|---------------|
| BY | DATE |
| | |
| ORIGINAL SURVEY | SURVEYED |
| NOTE BOOK | PLOTTED |
| NO. | TEMPLATE |
| | AREAS CHECKED |



| | | | | | | | | | | | | | |
|-------------|----------------------|------------|----------|---|---|--|--------------------|------------|---------------------------|--------------|-----------|--|--|
| FILE NAME = | USER NAME = duncanbd | DESIGNED - | REVISD - | STATE OF ILLINOIS DEPARTMENT OF TRANSPORTATION | CROSS SECTIONS - RAMP B SCALE: SHEET OF SHEETS STA. 1+50.00 TO STA. 2+50.00 | | F.A.I. RTÉ. | SECTION | COUNTY | TOTAL SHEETS | SHEET NO. | | |
| Default | | DRAWN - | REVISD - | | | | 57 | (38-3)RS-2 | IROQUOIS | 186 | 145 | | |
| | | CHECKED - | REVISD - | | | | CONTRACT NO. 66C53 | | ILLINOIS FED. AID PROJECT | | | | |
| | | DATE - | REVISD - | | | | | | | | | | |

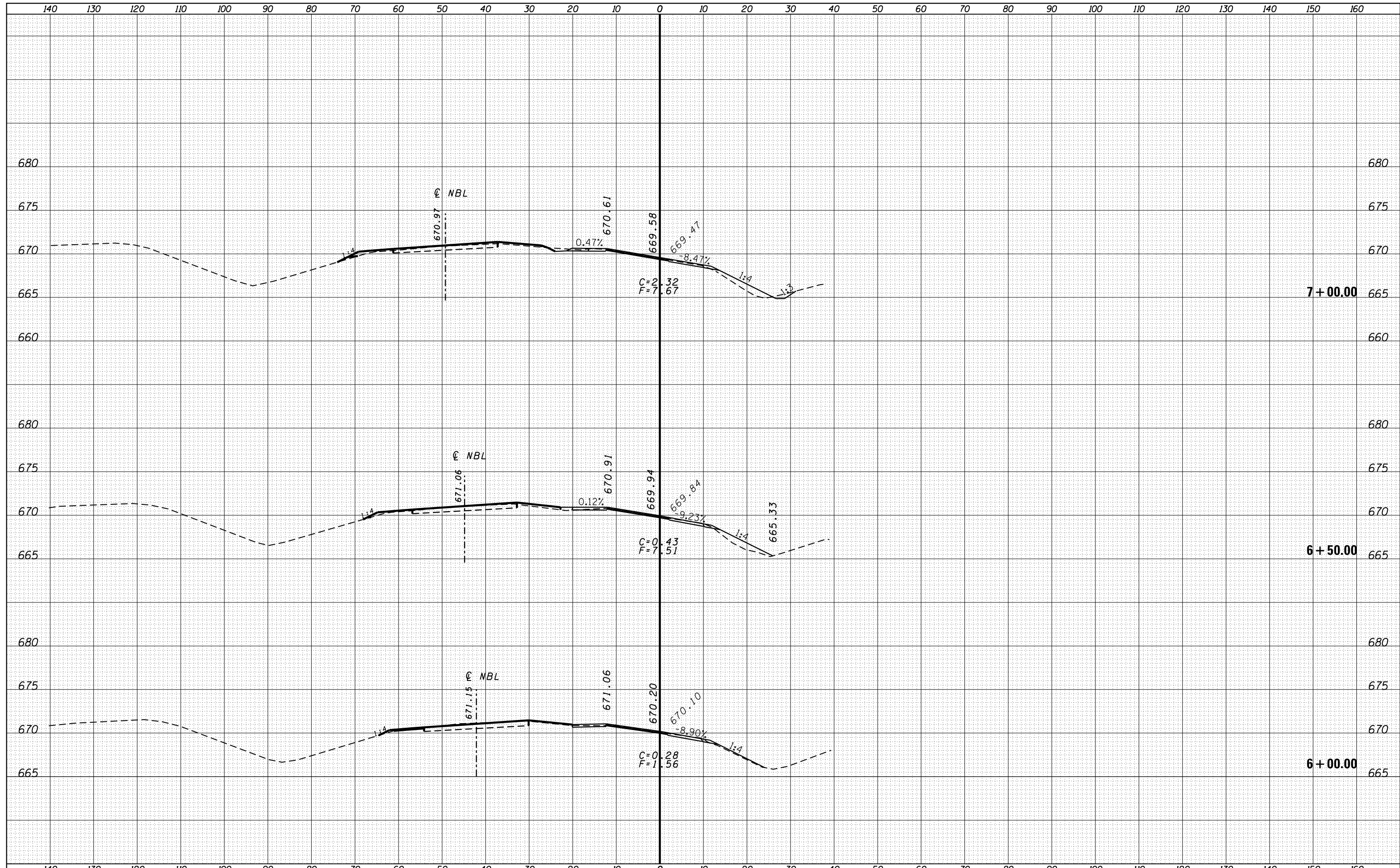
| | |
|--------------|----------|
| BY | DATE |
| | |
| FINAL SURVEY | SURVEYED |
| NOTE BOOK | PLOTTED |
| NO. | TEMPLATE |
| | AREAS |
| | CHECKED |

| | |
|-----------------|----------|
| BY | DATE |
| | |
| ORIGINAL SURVEY | SURVEYED |
| NOTE BOOK | PLOTTED |
| NO. | TEMPLATE |
| | AREAS |
| | CHECKED |



| | |
|--------------|--|
| DATE | |
| BY | |
| SURVEYED | |
| PLOTTED | |
| TEMPLATE | |
| AREAS | |
| CHECKED | |
| FINAL SURVEY | |
| NOTE BOOK | |
| NO. | |

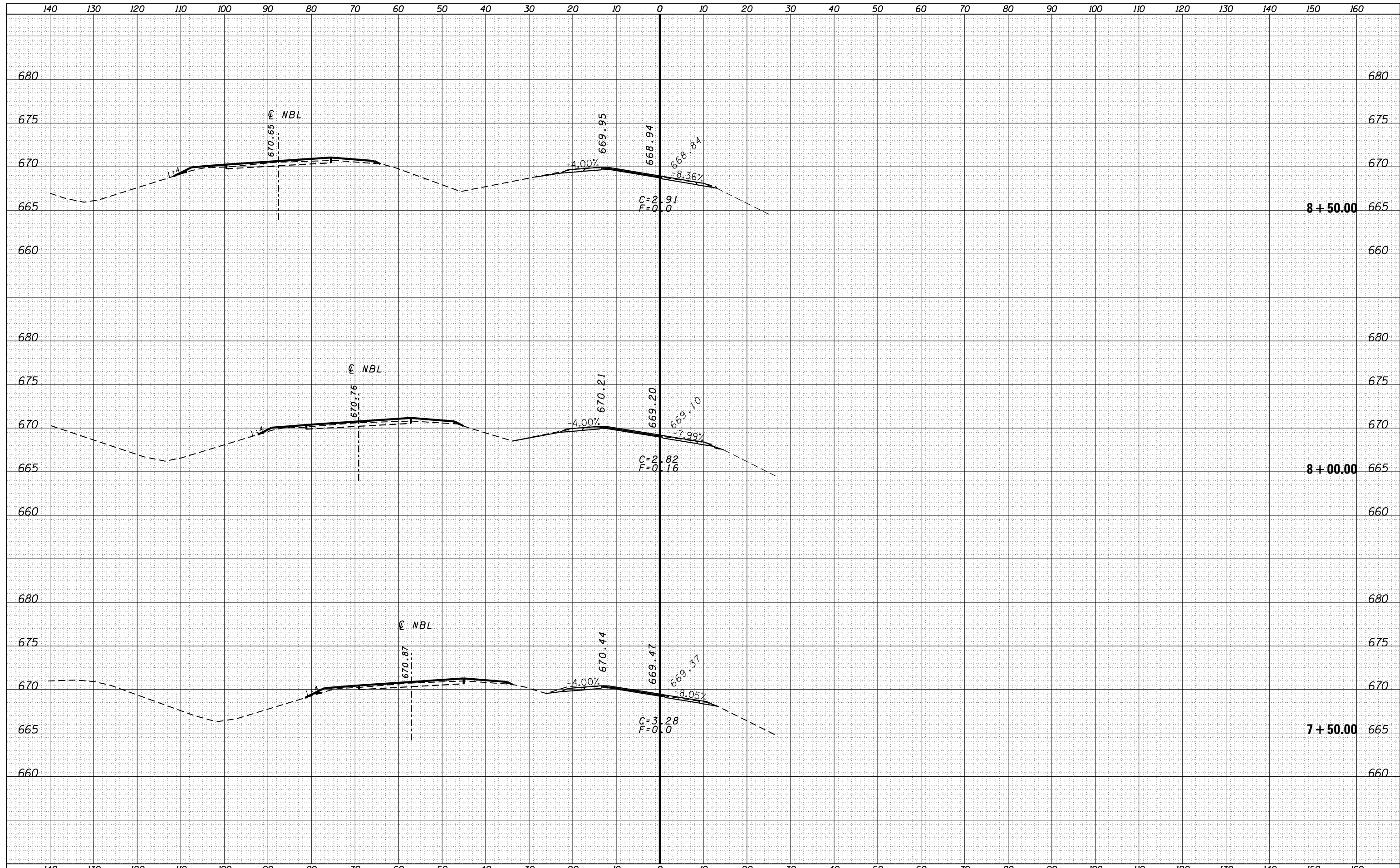
| | |
|-----------------|--|
| DATE | |
| BY | |
| SURVEYED | |
| PLOTTED | |
| TEMPLATE | |
| AREAS | |
| CHECKED | |
| ORIGINAL SURVEY | |
| NOTE BOOK | |
| NO. | |



| | | | | | | | | | | | |
|--|-----------------------------|------------|----------|---|--------------------------------|-----------------|------------------------------|--------------------|--------|---------------------------|-----------|
| FILE NAME = | USER NAME = duncanbd | DESIGNED - | REVISÉ - | STATE OF ILLINOIS DEPARTMENT OF TRANSPORTATION | CROSS SECTIONS - RAMP B | | F.A.I. RTÉ. | SECTION | COUNTY | TOTAL SHEETS | SHEET NO. |
| es:\pw_work\pwidot\duncanbd\0319542\0366C53-xshtrmpb.dgn | DRAWN - | REVISÉ - | 57 | | | | (38-3)RS-2 | IROQUOIS | 186 | 148 | |
| Default | PLOT SCALE = 20.0000' / in. | CHECKED - | REVISÉ - | | SCALE: | SHEET OF SHEETS | STA. 6+00.00 TO STA. 7+00.00 | CONTRACT NO. 66C53 | | ILLINOIS FED. AID PROJECT | |
| | PLOT DATE = 6/10/2014 | DATE - | REVISÉ - | | | | | | | | |

| | |
|--------------|--|
| DATE | |
| BY | |
| SURVEYED | |
| PLOTTED | |
| TEMPLATE | |
| AREAS | |
| CHECKED | |
| FINAL SURVEY | |
| NOTE BOOK | |
| NO. | |

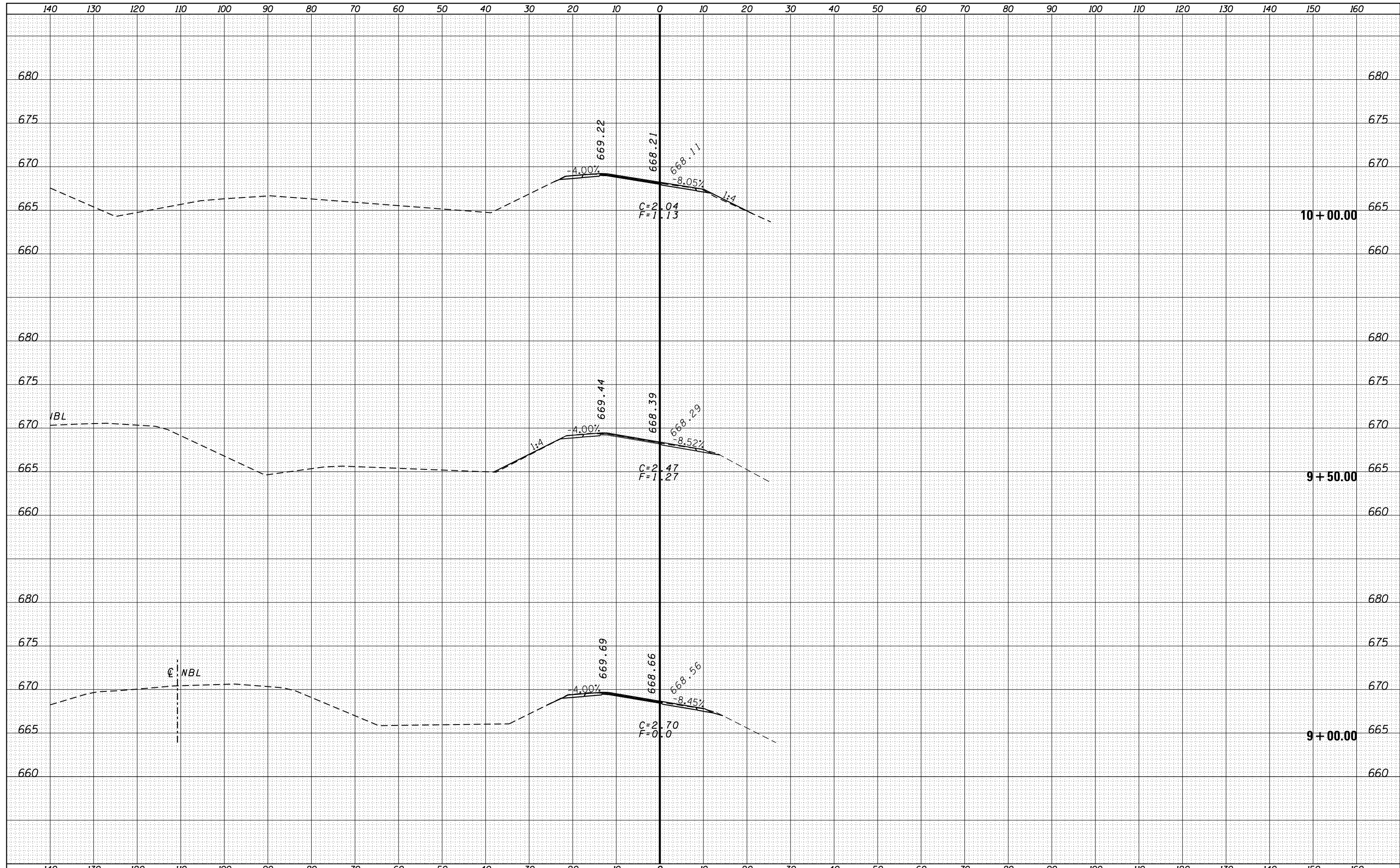
| | |
|-----------------|--|
| DATE | |
| BY | |
| SURVEYED | |
| PLOTTED | |
| TEMPLATE | |
| AREAS | |
| CHECKED | |
| ORIGINAL SURVEY | |
| NOTE BOOK | |
| NO. | |



| | | | | | | | | | | | | |
|--|----------------------|------------|-----------|---|--------------------------------|-----------------|------------------------------|---------------------------|---------|--------|--------------|-----------|
| FILE NAME = | USER NAME = duncanbd | DESIGNED - | REVISÉD - | STATE OF ILLINOIS DEPARTMENT OF TRANSPORTATION | CROSS SECTIONS - RAMP B | | | F.A.I. RTÉ. | SECTION | COUNTY | TOTAL SHEETS | SHEET NO. |
| es:\pw_work\pwidth\duncanbd\0319542\0366C53-xshtrmpb.dgn | | DRAWN - | REVISÉD - | | 57 | (38-3)RS-2 | IROQUOIS | 186 | 149 | | | |
| PLOT SCALE = 20.0000' / in. | | CHECKED - | REVISÉD - | | CONTRACT NO. 66C53 | | | ILLINOIS FED. AID PROJECT | | | | |
| Default | | DATE - | REVISÉD - | | SCALE: | SHEET OF SHEETS | STA. 7+50.00 TO STA. 8+50.00 | | | | | |

| | |
|--------------|--|
| DATE | |
| BY | |
| SURVEYED | |
| PLOTTED | |
| TEMPLATE | |
| AREAS | |
| CHECKED | |
| FINAL SURVEY | |
| NOTE BOOK | |
| NO. | |

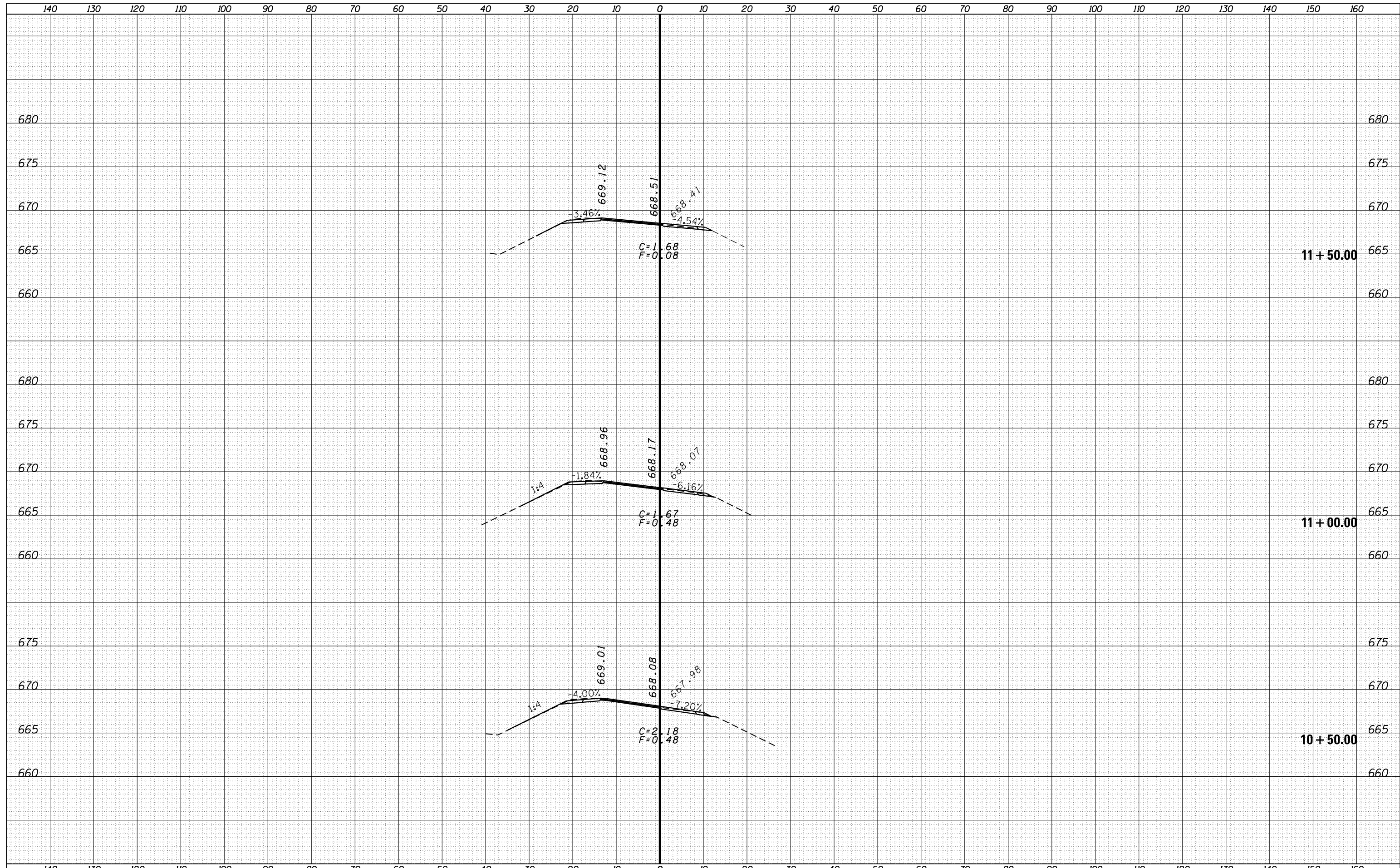
| | |
|-----------------|--|
| DATE | |
| BY | |
| SURVEYED | |
| PLOTTED | |
| TEMPLATE | |
| AREAS | |
| CHECKED | |
| ORIGINAL SURVEY | |
| NOTE BOOK | |
| NO. | |



| | | | | | | | | | | | | |
|--|-----------------------------|------------|-----------|---|--|------------|----------|--------------------|---------|--------|--------------|-----------|
| FILE NAME = | USER NAME = duncanbd | DESIGNED - | REVISÉD - | STATE OF ILLINOIS DEPARTMENT OF TRANSPORTATION | CROSS SECTIONS - RAMP B | | | F.A.I. RTÉ. | SECTION | COUNTY | TOTAL SHEETS | SHEET NO. |
| es:\pw_work\pwidot\duncanbd\0319542\0366C53-xshtrmpb.dgn | | DRAWN - | REVISÉD - | | 57 | (38-3)RS-2 | IROQUOIS | 186 | 150 | | | |
| Default | PLOT SCALE = 20.0000' / in. | CHECKED - | REVISÉD - | | SCALE: SHEET OF SHEETS STA. 9+00.00 TO STA. 10+00.00 | | | CONTRACT NO. 66C53 | | | | |
| | PLOT DATE = 6/10/2014 | DATE - | REVISÉD - | | ILLINOIS FED. AID PROJECT | | | | | | | |

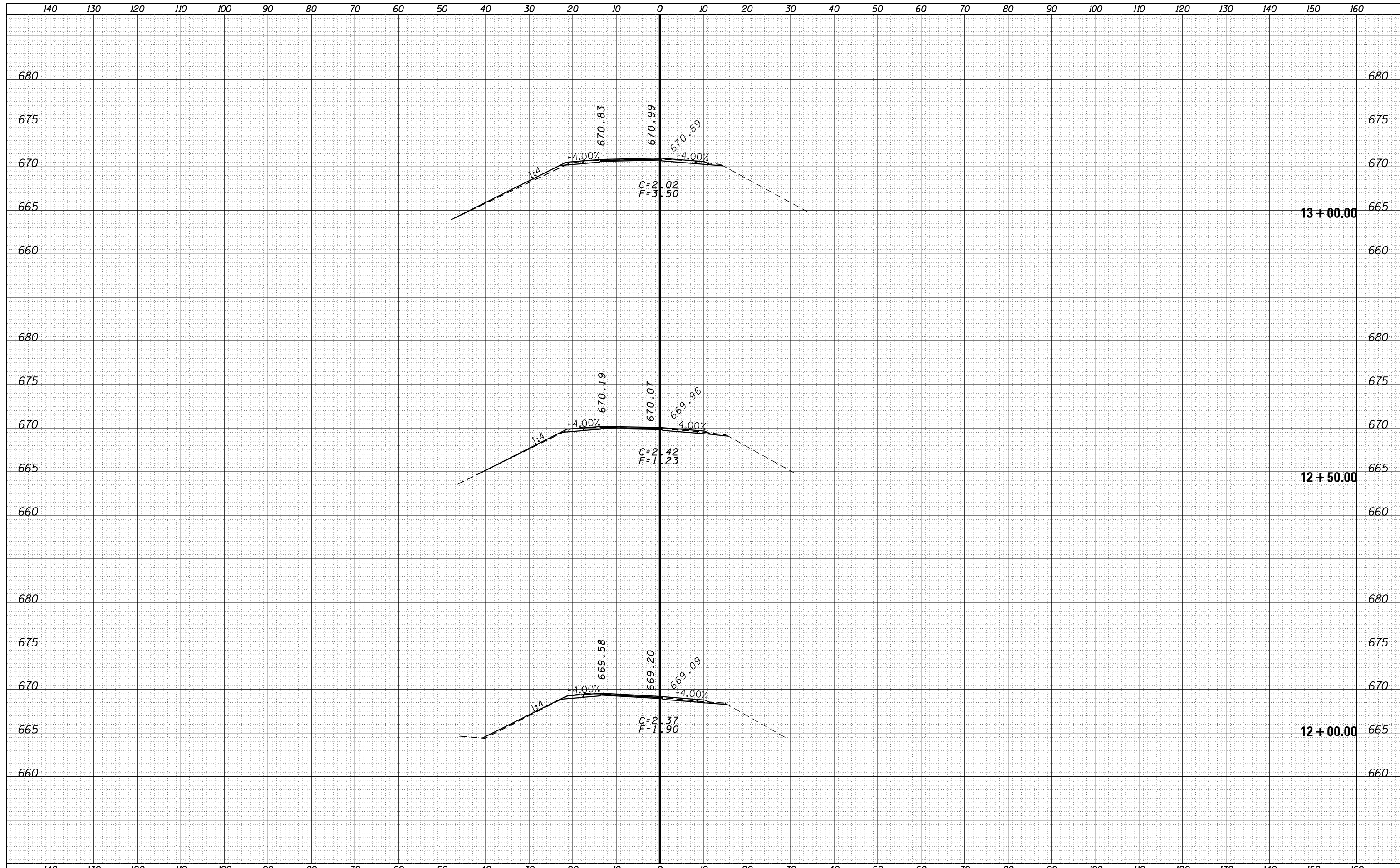
| | |
|--------------|--|
| DATE | |
| BY | |
| SURVEYED | |
| PLOTTED | |
| TEMPLATE | |
| AREAS | |
| CHECKED | |
| FINAL SURVEY | |
| NOTE BOOK | |
| NO. | |

| | |
|-----------------|--|
| DATE | |
| BY | |
| SURVEYED | |
| PLOTTED | |
| TEMPLATE | |
| AREAS | |
| CHECKED | |
| ORIGINAL SURVEY | |
| NOTE BOOK | |
| NO. | |



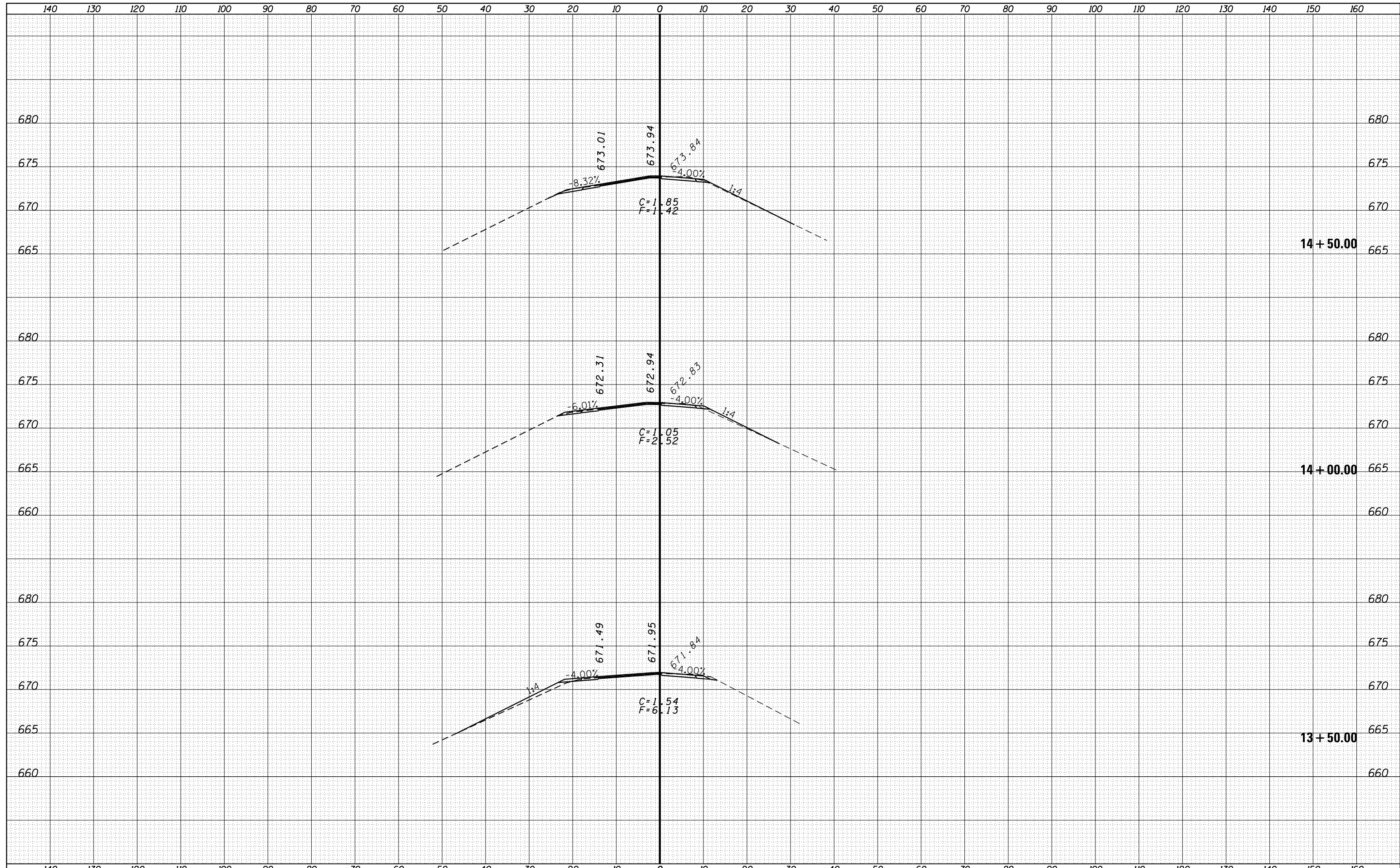
| | |
|--------------|--|
| DATE | |
| BY | |
| SURVEYED | |
| PLOTTED | |
| TEMPLATE | |
| AREAS | |
| CHECKED | |
| FINAL SURVEY | |
| NOTE BOOK | |
| NO. | |

| | |
|-----------------|--|
| DATE | |
| BY | |
| SURVEYED | |
| PLOTTED | |
| TEMPLATE | |
| AREAS | |
| CHECKED | |
| ORIGINAL SURVEY | |
| NOTE BOOK | |
| NO. | |



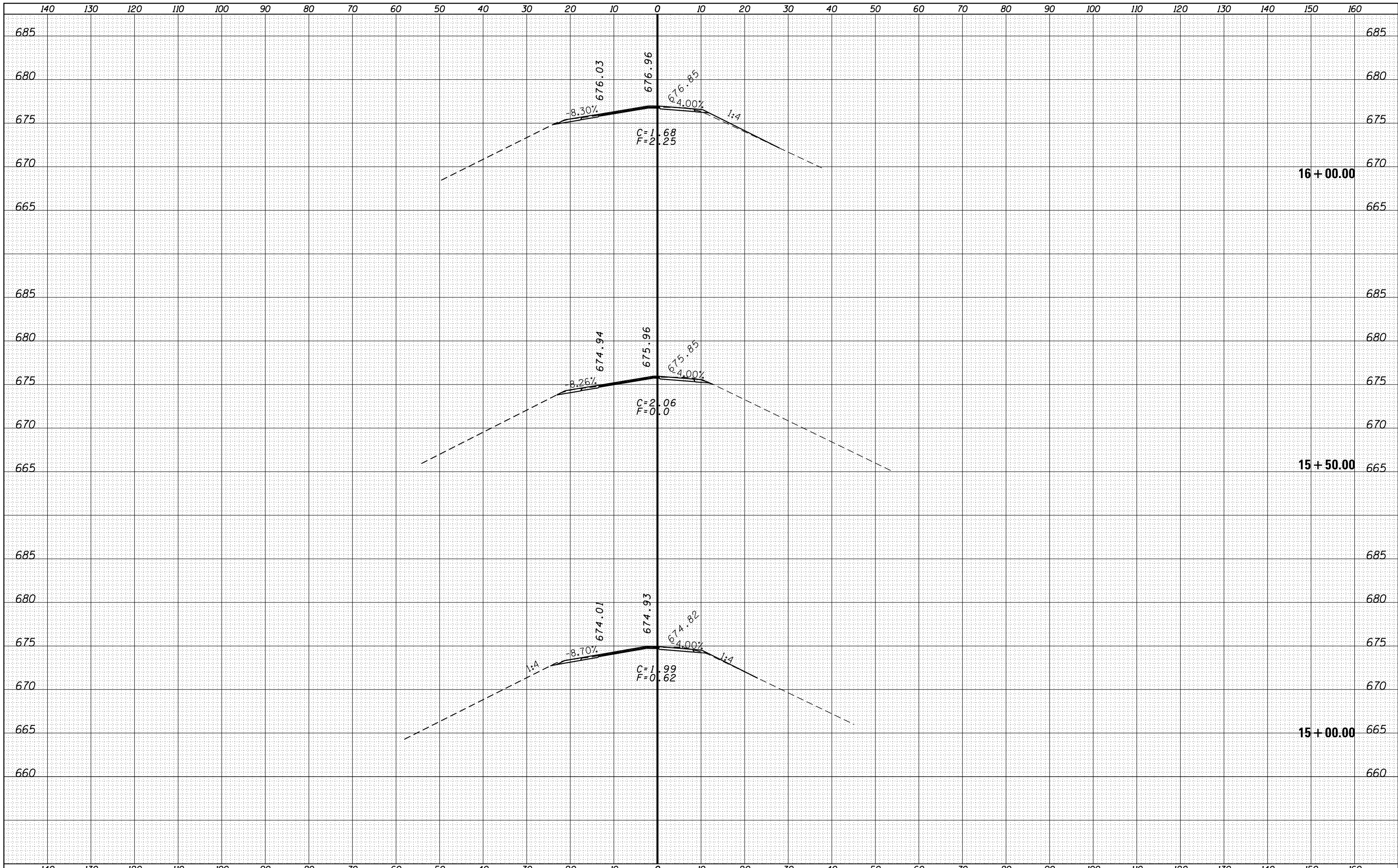
| | |
|--------------|----------|
| DATE | |
| BY | |
| FINAL SURVEY | SURVEYED |
| NOTE BOOK | PLOTTED |
| NO. | TEMPLATE |
| | AREAS |
| | CHECKED |

| | |
|-----------------|----------|
| DATE | |
| BY | |
| ORIGINAL SURVEY | SURVEYED |
| NOTE BOOK | PLOTTED |
| NO. | TEMPLATE |
| | AREAS |
| | CHECKED |



| | |
|--------------|----------|
| DATE | |
| BY | |
| FINAL SURVEY | SURVEYED |
| NOTE BOOK | PLOTTED |
| NO. | TEMPLATE |
| | AREAS |
| | CHECKED |

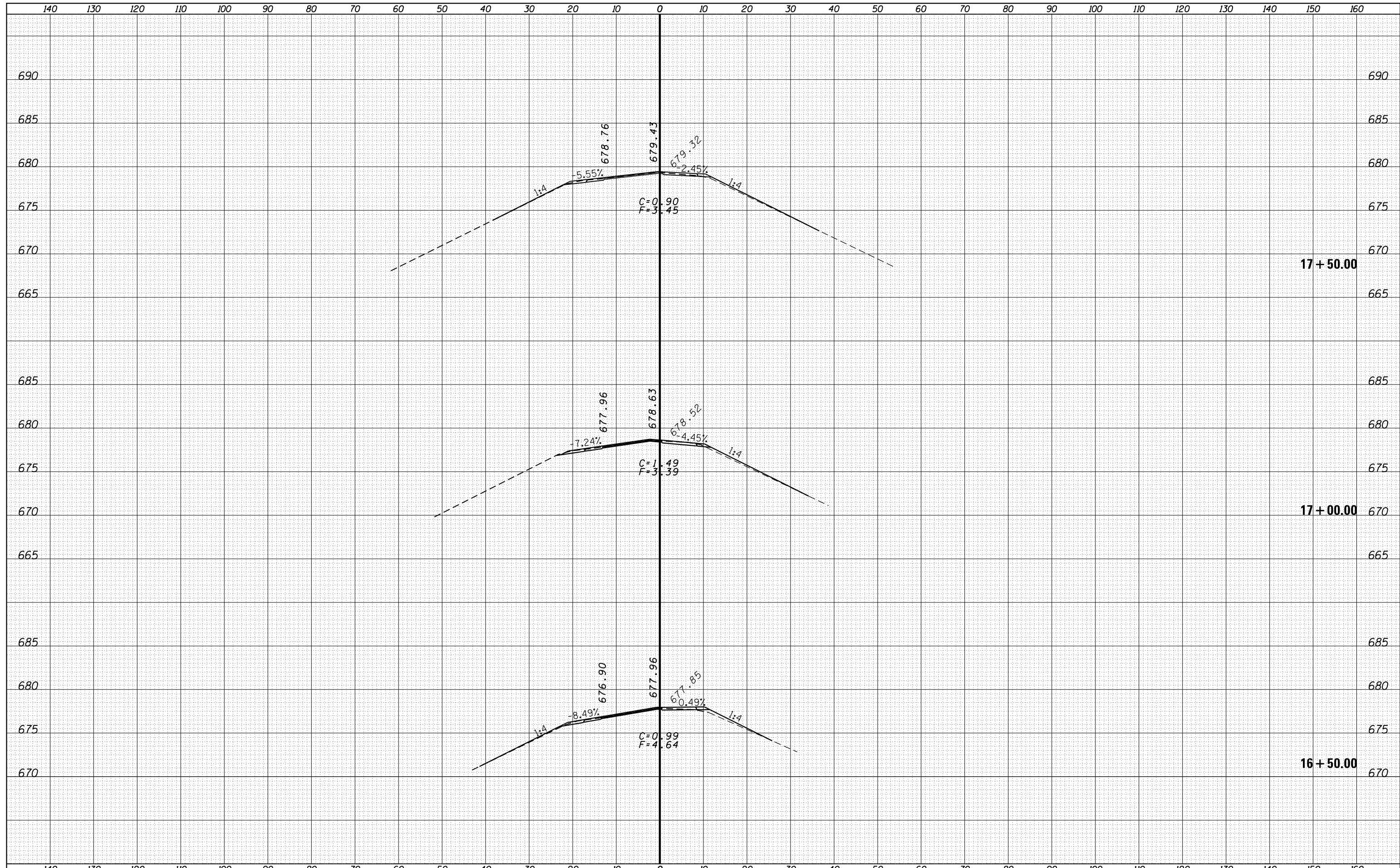
| | |
|-----------------|----------|
| DATE | |
| BY | |
| ORIGINAL SURVEY | SURVEYED |
| NOTE BOOK | PLOTTED |
| NO. | TEMPLATE |
| | AREAS |
| | CHECKED |



| | | | | | | | | | | | |
|---|-----------------------------|------------|-----------|---|---|------------|--------------------|---------|---------------------------|--------------|-----------|
| FILE NAME = | USER NAME = duncanbd | DESIGNED - | REVISÉD - | STATE OF ILLINOIS DEPARTMENT OF TRANSPORTATION | CROSS SECTIONS - RAMP B | | F.A.I. RTÉ. | SECTION | COUNTY | TOTAL SHEETS | SHEET NO. |
| es:\pw_work\pwidot\duncanbd\d0319542\0366C53-xshtrmpb.dgn | | DRAWN - | REVISÉD - | | 57 | (38-3)RS-2 | IROQUOIS | 186 | 154 | | |
| Default | PLOT SCALE = 20.0000' / in. | CHECKED - | REVISÉD - | | SCALE: SHEET OF SHEETS STA. 15+00.00 TO STA. 16+00.00 | | CONTRACT NO. 66C53 | | ILLINOIS FED. AID PROJECT | | |
| | PLOT DATE = 6/10/2014 | DATE - | REVISÉD - | | | | | | | | |

| | |
|--------------|----------|
| DATE | |
| BY | |
| FINAL SURVEY | SURVEYED |
| NOTE BOOK | PLOTTED |
| NO. | TEMPLATE |
| | AREAS |
| | CHECKED |

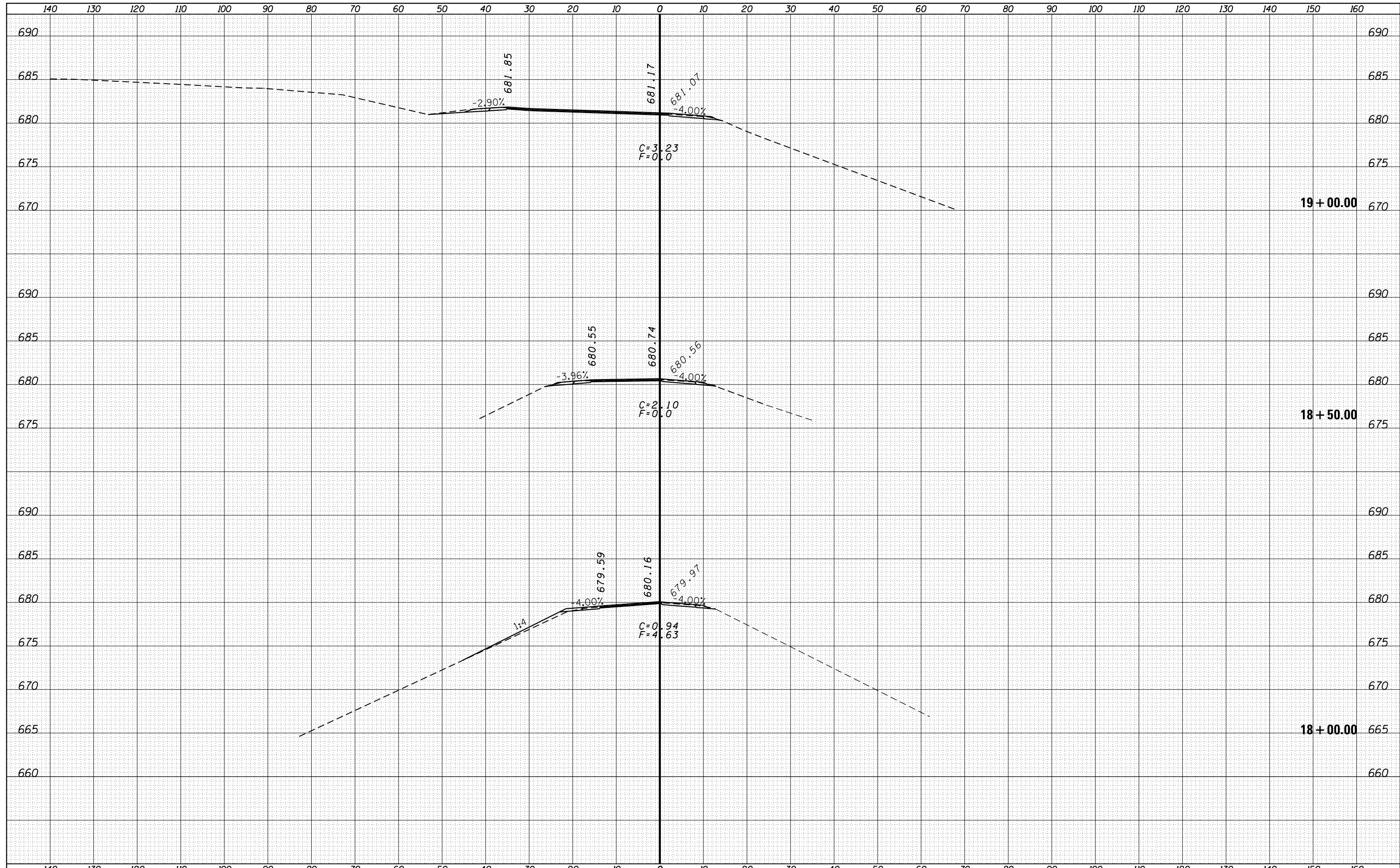
| | |
|-----------------|----------|
| DATE | |
| BY | |
| ORIGINAL SURVEY | SURVEYED |
| NOTE BOOK | PLOTTED |
| NO. | TEMPLATE |
| | AREAS |
| | CHECKED |



| | | | | | | | | | | | | |
|--|-----------------------------|------------|----------|---|--------------------------------|-------|-------------|----------|---------------|------------------|--------------------|---------------------------|
| FILE NAME = | USER NAME = duncanbd | DESIGNED - | REVISÉ - | STATE OF ILLINOIS DEPARTMENT OF TRANSPORTATION | CROSS SECTIONS - RAMP B | | F.A.I. RTÉ. | SECTION | COUNTY | TOTAL SHEETS | SHEET NO. | |
| es:\pw_work\pwidot\duncanbd\0319542\0366C53-xshtrmpb.dgn | DRAWN - | REVISÉ - | 57 | | | | (38-3)RS-2 | IROQUOIS | 186 | 155 | | |
| Default | PLOT SCALE = 20.0000' / in. | CHECKED - | REVISÉ - | | SCALE: | SHEET | OF | SHEETS | STA. 16+50.00 | TO STA. 17+50.00 | CONTRACT NO. 66C53 | ILLINOIS FED. AID PROJECT |
| | PLOT DATE = 6/10/2014 | DATE - | REVISÉ - | | | | | | | | | |

| | |
|-----------------|--|
| DATE | |
| BY | |
| ORIGINAL SURVEY | |
| SURVEYED | |
| PLOTTED | |
| TEMPLATE | |
| AREAS | |
| CHECKED | |
| FINAL SURVEY | |
| NOTE BOOK | |
| NO. | |

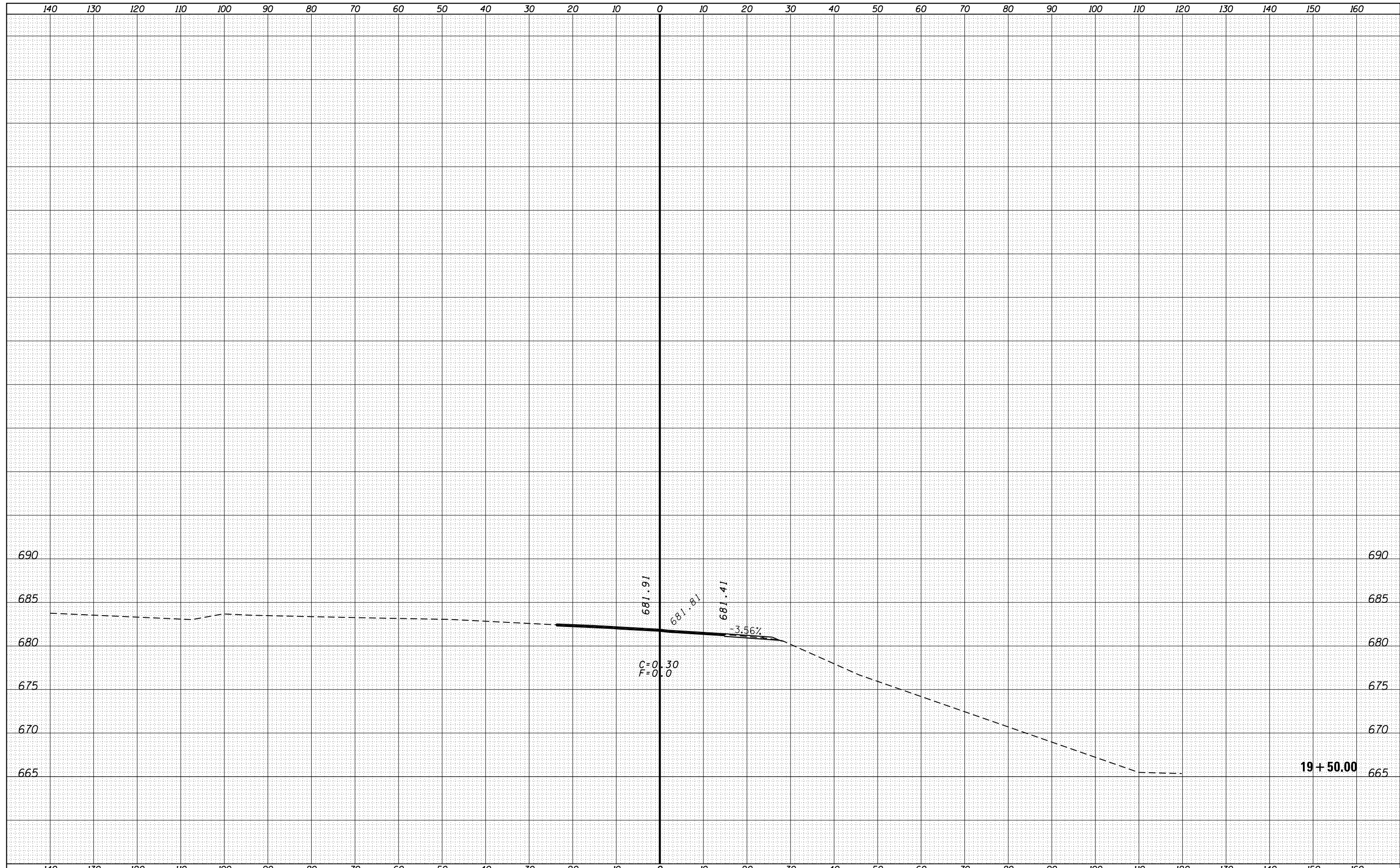
| | |
|-----------------|--|
| DATE | |
| BY | |
| ORIGINAL SURVEY | |
| SURVEYED | |
| PLOTTED | |
| TEMPLATE | |
| AREAS | |
| CHECKED | |
| FINAL SURVEY | |
| NOTE BOOK | |
| NO. | |



| | | | | | | | | | | |
|---|-----------------------------|------------|-----------|---|--------------------------------|---------------------------|----------|--------|---------------|------------------|
| FILE NAME = | USER NAME = duncanbd | DESIGNED - | REVISÉD - | STATE OF ILLINOIS DEPARTMENT OF TRANSPORTATION | CROSS SECTIONS - RAMP B | F.A.I. RTE. | SECTION | COUNTY | TOTAL SHEETS | SHEET NO. |
| es:\pw_work\pwidot\duncanbd\d0319542\0366C53-xshtrmpb.dgn | DRAWN - | REVISÉD - | 57 | | | (38-3)RS-2 | IROQUOIS | 186 | 156 | |
| Default | PLOT SCALE = 20.0000' / in. | CHECKED - | REVISÉD - | | | CONTRACT NO. 66C53 | | | | |
| | PLOT DATE = 6/10/2014 | DATE - | REVISÉD - | | | ILLINOIS FED. AID PROJECT | | | | |
| SCALE: | | | | | | SHEET | OF | SHEETS | STA. 18+00.00 | TO STA. 19+00.00 |

| | |
|--------------|----------|
| DATE | |
| BY | |
| FINAL SURVEY | SURVEYED |
| NOTE BOOK | PLOTTED |
| NO. | TEMPLATE |
| | AREAS |
| | CHECKED |

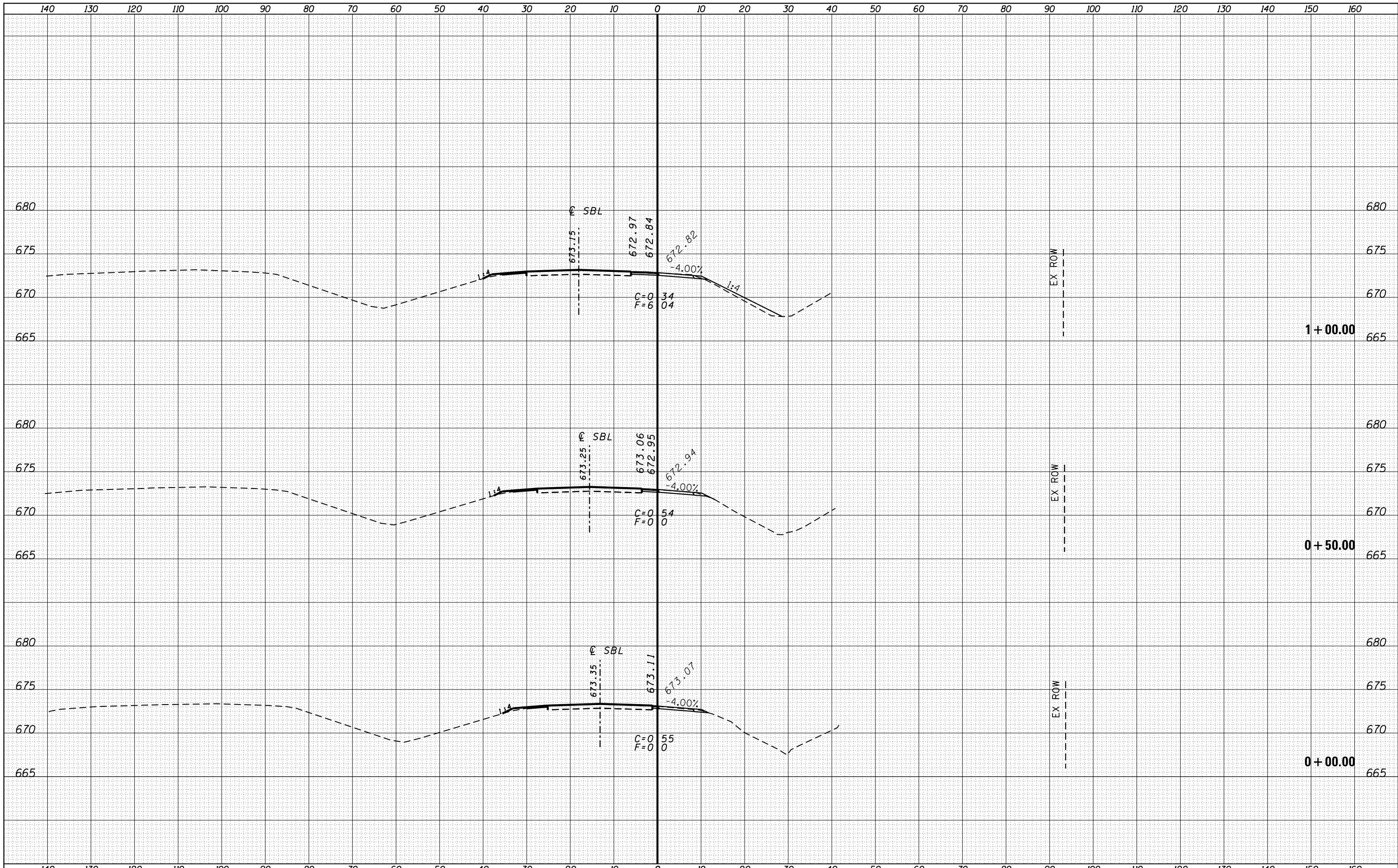
| | |
|-----------------|----------|
| DATE | |
| BY | |
| ORIGINAL SURVEY | SURVEYED |
| NOTE BOOK | PLOTTED |
| NO. | TEMPLATE |
| | AREAS |
| | CHECKED |



| | | | | | | | | | | | | |
|---|-----------------------------|------------|------------|---|--------------------------------|-------|----|---------------------------|---------------|------------------|--------------|-----------|
| FILE NAME = | USER NAME = duncanbd | DESIGNED - | REVISIED - | STATE OF ILLINOIS DEPARTMENT OF TRANSPORTATION | CROSS SECTIONS - RAMP B | | | F.A.I. RTE. | SECTION | COUNTY | TOTAL SHEETS | SHEET NO. |
| es:\pw_work\pwidot\duncanbd\d0319542\0366C53-xshtrmpb.dgn | DRAWN - | REVISIED - | 57 | | | | | (38-3)RS-2 | IROQUOIS | 186 | 157 | |
| Default | PLOT SCALE = 20.0000' / in. | CHECKED - | REVISIED - | | CONTRACT NO. 66C53 | | | ILLINOIS FED. AID PROJECT | | | | |
| | PLOT DATE = 6/10/2014 | DATE - | REVISIED - | | SCALE: | SHEET | OF | SHEETS | STA. 19+50.00 | TO STA. 19+50.00 | | |

| | |
|--------------|----------|
| BY | DATE |
| | |
| FINAL SURVEY | SURVEYED |
| NOTE BOOK | PLOTTED |
| NO. | TEMPLATE |
| | AREAS |
| | CHECKED |

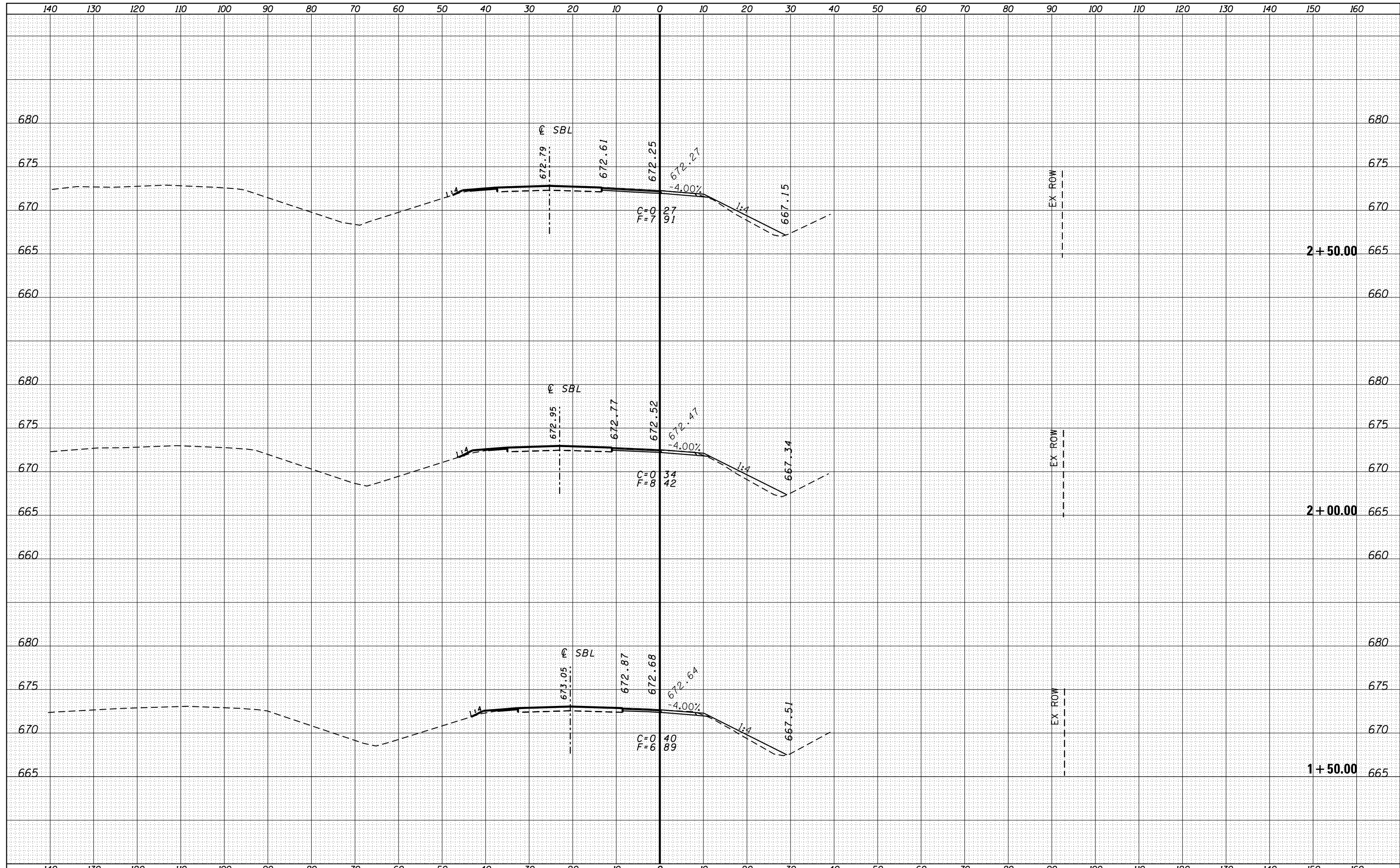
| | |
|-----------------|----------|
| BY | DATE |
| | |
| ORIGINAL SURVEY | SURVEYED |
| NOTE BOOK | PLOTTED |
| NO. | TEMPLATE |
| | AREAS |
| | CHECKED |



| | | | | | | | | | | |
|---|-----------------------------|------------|------------|---|-------------------------|---------------------------|----------|--------|--------------|-----------|
| FILE NAME = | USER NAME = duncanbd | DESIGNED - | REVISIED - | STATE OF ILLINOIS DEPARTMENT OF TRANSPORTATION | CROSS SECTIONS - RAMP C | F.A.I. RTÉ. | SECTION | COUNTY | TOTAL SHEETS | SHEET NO. |
| es:\pw_work\pwidot\duncanbd\d0319542\0366C53-xshtrmpc.dgn | DRAWN - | REVISIED - | 57 | | | (38-3)RS-2 | IROQUOIS | 186 | 158 | |
| Default | PLOT SCALE = 20.0000' / in. | CHECKED - | REVISIED - | | | CONTRACT NO. 66C53 | | | | |
| | PLOT DATE = 6/10/2014 | DATE - | REVISIED - | | | ILLINOIS FED. AID PROJECT | | | | |
| SCALE: SHEET OF SHEETS STA. +00.00 TO STA.1+00.00 | | | | | | | | | | |

| | |
|---------------------|--|
| DATE | |
| BY | |
| ORIGINAL SURVEY NO. | |
| SURVEYED | |
| PLOTTED | |
| TEMPLATE | |
| AREAS | |
| CHECKED | |

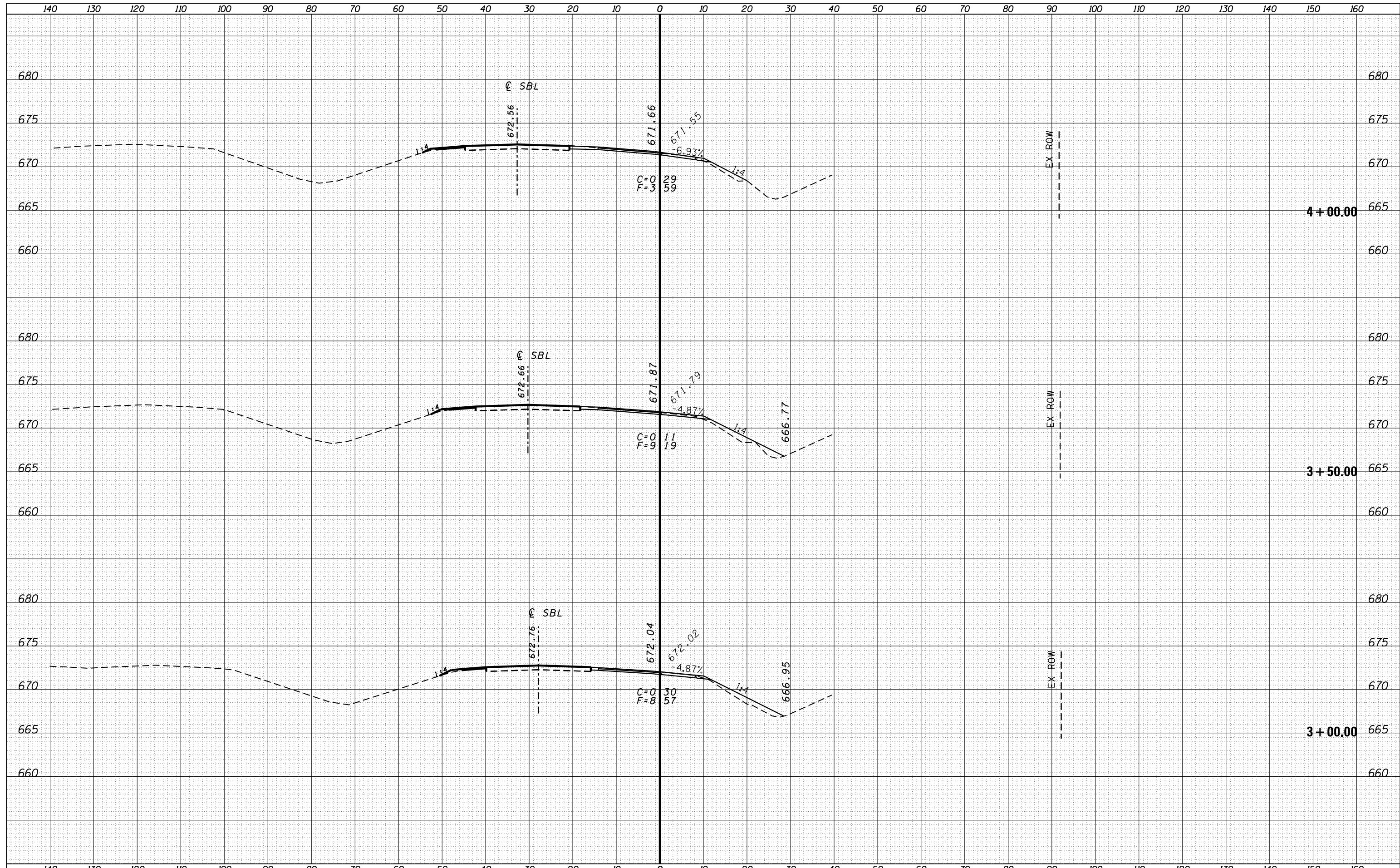
| | |
|---------------------|--|
| DATE | |
| BY | |
| ORIGINAL SURVEY NO. | |
| SURVEYED | |
| PLOTTED | |
| TEMPLATE | |
| AREAS | |
| CHECKED | |



| | | | | | | | | | | | |
|---|-----------------------------|------------|-----------|---|--------------------------------|----|---------------------------|--------------|--------|--------------|-----------|
| FILE NAME = | USER NAME = duncanbd | DESIGNED - | REVISÉD - | STATE OF ILLINOIS DEPARTMENT OF TRANSPORTATION | CROSS SECTIONS - RAMP C | | F.A.I. RTÉ. | SECTION | COUNTY | TOTAL SHEETS | SHEET NO. |
| es:\pw_work\pwidot\duncanbd\d0319542\0366C53-xshtrmpc.dgn | DRAWN - | REVISÉD - | 57 | | | | (38-3)RS-2 | IROQUOIS | 186 | 159 | |
| Default | PLOT SCALE = 20.0000' / in. | CHECKED - | REVISÉD - | | | | CONTRACT NO. 66C53 | | | | |
| | PLOT DATE = 6/10/2014 | DATE - | REVISÉD - | | | | ILLINOIS FED. AID PROJECT | | | | |
| | | | | SCALE: | SHEET | OF | SHEETS | STA. 1+50.00 | TO | STA. 2+50.00 | |

| | |
|--------------|--|
| DATE | |
| BY | |
| SURVEYED | |
| PLOTTED | |
| TEMPLATE | |
| AREAS | |
| CHECKED | |
| FINAL SURVEY | |
| NOTE BOOK | |
| NO. | |

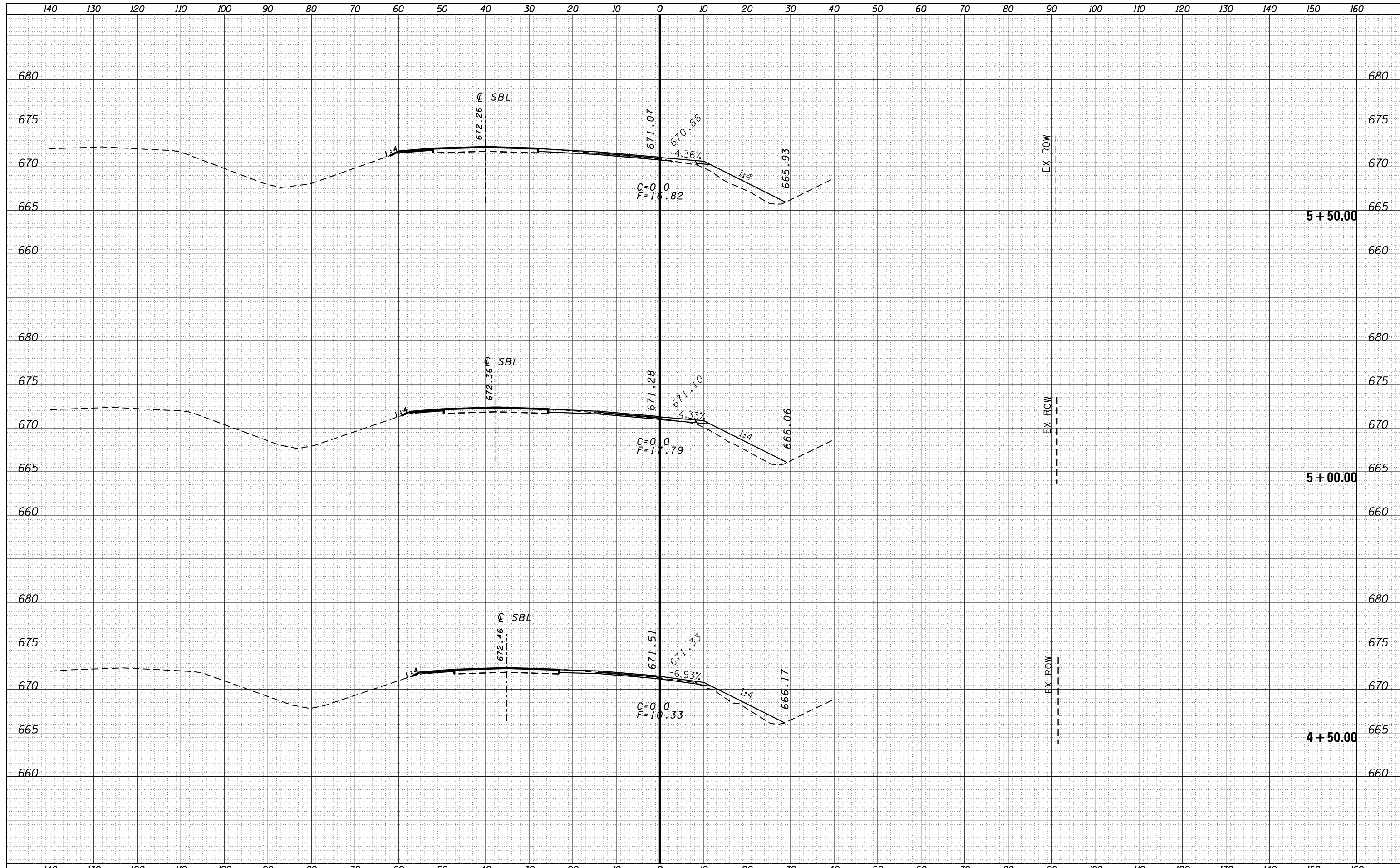
| | |
|-----------------|--|
| DATE | |
| BY | |
| SURVEYED | |
| PLOTTED | |
| TEMPLATE | |
| AREAS | |
| CHECKED | |
| ORIGINAL SURVEY | |
| NOTE BOOK | |
| NO. | |



| | | | | | | | | | | | | |
|---|-----------------------------|------------|-----------|---|--------------------------------|-------|-------------|----------|--------------|-----------------|--------------------|--|
| FILE NAME = | USER NAME = duncanbd | DESIGNED - | REVISED - | STATE OF ILLINOIS DEPARTMENT OF TRANSPORTATION | CROSS SECTIONS - RAMP C | | F.A.I. RTE. | SECTION | COUNTY | TOTAL SHEETS | SHEET NO. | |
| es:\pw_work\pwidot\duncanbd\d0319542\0366C53-xshtrmpc.dgn | DRAWN - | REVISED - | 57 | | | | (38-3)RS-2 | IROQUOIS | 186 | 160 | | |
| Default | PLOT SCALE = 20.0000' / in. | CHECKED - | REVISED - | | SCALE: | SHEET | OF | SHEETS | STA. 3+00.00 | TO STA. 4+00.00 | CONTRACT NO. 66C53 | |
| | PLOT DATE = 6/10/2014 | DATE - | REVISED - | | ILLINOIS FED. AID PROJECT | | | | | | | |

| | |
|--------------|--|
| DATE | |
| BY | |
| SURVEYED | |
| PLOTTED | |
| TEMPLATE | |
| AREAS | |
| CHECKED | |
| FINAL SURVEY | |
| NOTE BOOK | |
| NO. | |

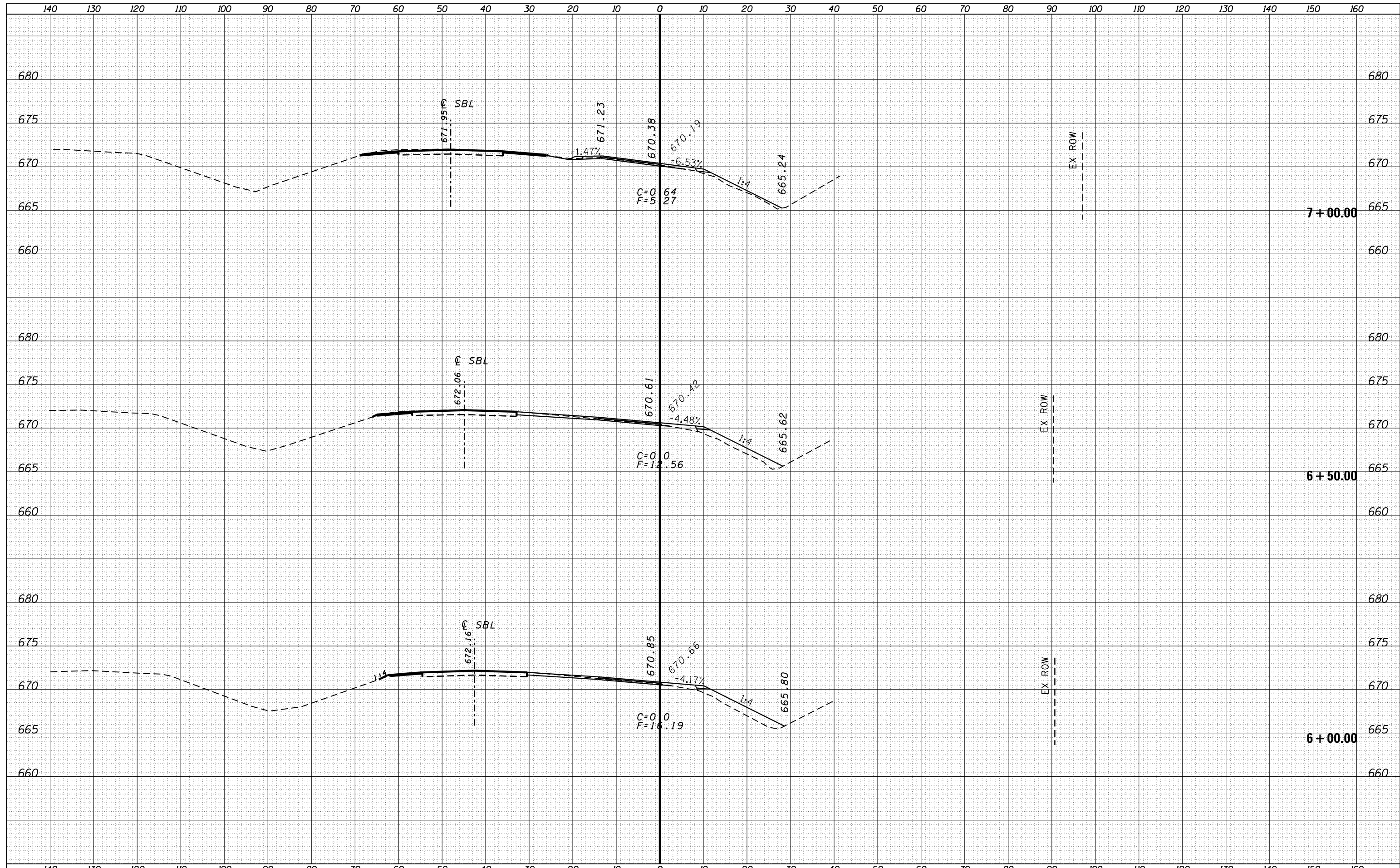
| | |
|-----------------|--|
| DATE | |
| BY | |
| SURVEYED | |
| PLOTTED | |
| TEMPLATE | |
| AREAS | |
| CHECKED | |
| ORIGINAL SURVEY | |
| NOTE BOOK | |
| NO. | |



| | | | | | | | | | | | |
|---|-----------------------------|------------|-----------|---|--------------------------------|-----------------|------------------------------|--------------------|--------|---------------------------|-----------|
| FILE NAME = | USER NAME = duncanbd | DESIGNED - | REVISED - | STATE OF ILLINOIS DEPARTMENT OF TRANSPORTATION | CROSS SECTIONS - RAMP C | | F.A.I. RTE. | SECTION | COUNTY | TOTAL SHEETS | SHEET NO. |
| es:\pw_work\pwidot\duncanbd\d0319542\0366C53-xshtrmpc.dgn | DRAWN - | REVISED - | 57 | | | | (38-3)RS-2 | IROQUOIS | 186 | 161 | |
| Default | PLOT SCALE = 20.0000' / in. | CHECKED - | REVISED - | | SCALE: | SHEET OF SHEETS | STA. 4+50.00 TO STA. 5+50.00 | CONTRACT NO. 66C53 | | ILLINOIS FED. AID PROJECT | |
| | PLOT DATE = 6/10/2014 | DATE - | REVISED - | | | | | | | | |

| | |
|------------------|--|
| DATE | |
| BY | |
| SURVEYED | |
| PLOTTED | |
| TEMPLATE | |
| AREAS | |
| CHECKED | |
| FINAL SURVEY NO. | |
| NOTE BOOK NO. | |
| AREAS CHECKED | |

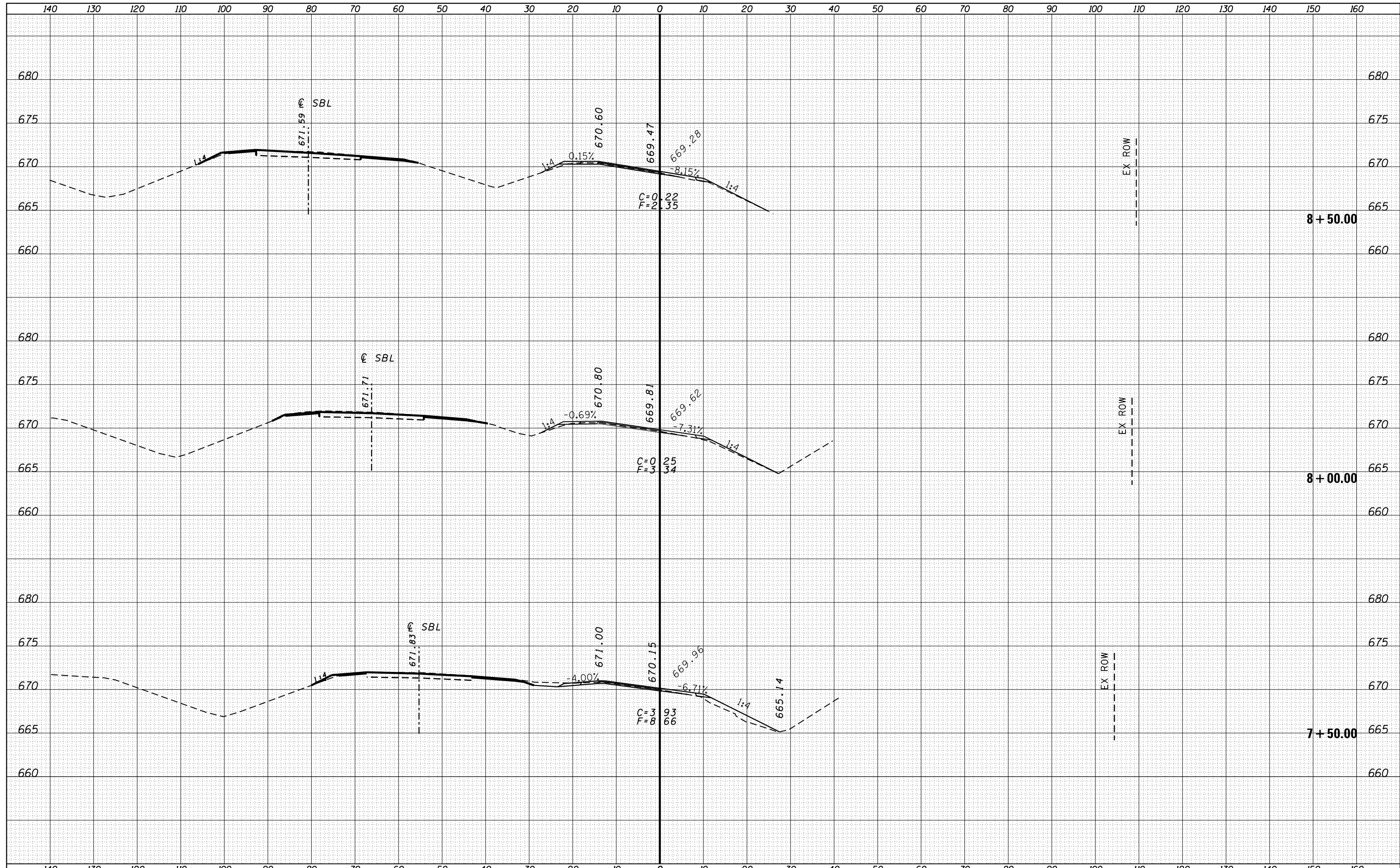
| | |
|---------------------|--|
| DATE | |
| BY | |
| SURVEYED | |
| PLOTTED | |
| TEMPLATE | |
| AREAS | |
| CHECKED | |
| ORIGINAL SURVEY NO. | |
| NOTE BOOK NO. | |
| AREAS CHECKED | |



| | | | | | | | | | | | |
|--|-----------------------------|------------|----------|---|---|--|--------------------|------------|---------------------------|--------------|-----------|
| FILE NAME = | USER NAME = duncanbd | DESIGNED - | REVISÉ - | STATE OF ILLINOIS DEPARTMENT OF TRANSPORTATION | CROSS SECTIONS - RAMP C | | F.A.I. RTÉ. | SECTION | COUNTY | TOTAL SHEETS | SHEET NO. |
| es:\pw_work\pwidot\duncanbd\0319542\0366C53-xshtrmpc.dgn | PLOT SCALE = 20.0000' / in. | DRAWN - | REVISÉ - | | | | 57 | (38-3)RS-2 | IROQUOIS | 186 | 162 |
| Default | PLOT DATE = 6/10/2014 | CHECKED - | REVISÉ - | | SCALE: SHEET OF SHEETS STA. 6+00.00 TO STA. 7+00.00 | | CONTRACT NO. 66C53 | | ILLINOIS FED. AID PROJECT | | |
| | | DATE - | REVISÉ - | | | | | | | | |

| | |
|--------------|--|
| DATE | |
| BY | |
| SURVEYED | |
| PLOTTED | |
| TEMPLATE | |
| AREAS | |
| CHECKED | |
| FINAL SURVEY | |
| NOTE BOOK | |
| NO. | |

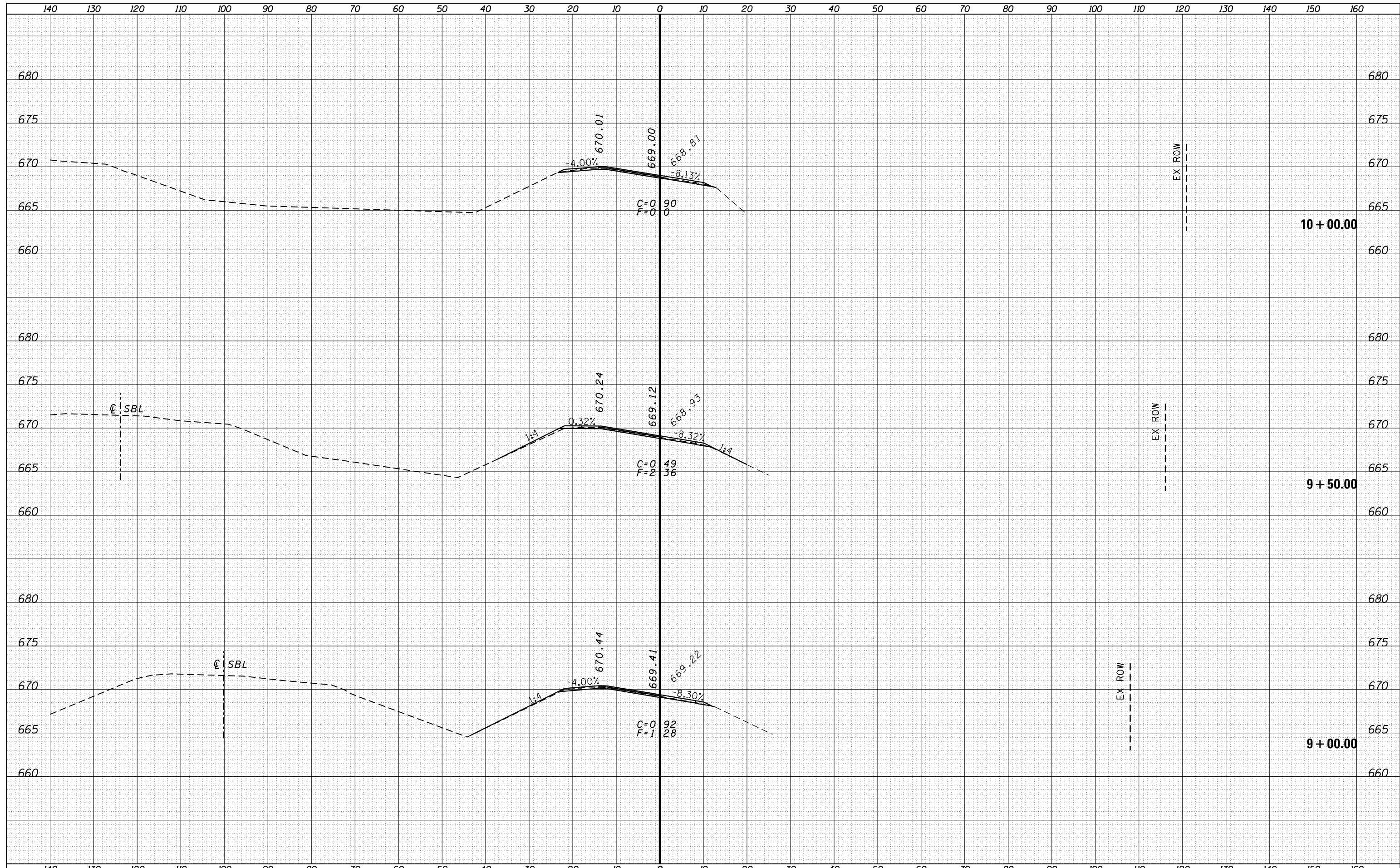
| | |
|-----------------|--|
| DATE | |
| BY | |
| SURVEYED | |
| PLOTTED | |
| TEMPLATE | |
| AREAS | |
| CHECKED | |
| ORIGINAL SURVEY | |
| NOTE BOOK | |
| NO. | |



| | | | | | | | | | | | |
|--|-----------------------------|------------|-----------|---|--------------------------------|-------|-------------|----------|--------------|-----------------|---------------------------|
| FILE NAME = | USER NAME = duncanbd | DESIGNED - | REVISED - | STATE OF ILLINOIS DEPARTMENT OF TRANSPORTATION | CROSS SECTIONS - RAMP C | | F.A.I. RTÉ. | SECTION | COUNTY | TOTAL SHEETS | SHEET NO. |
| es:\pw_work\pwidot\duncanbd\0319542\0366C53-xshtrmpc.dgn | DESIGNED - | REVISED - | 57 | | | | (38-3)RS-2 | IROQUOIS | 186 | 163 | |
| Default | PLOT SCALE = 20.0000' / in. | CHECKED - | REVISED - | | SCALE: | SHEET | OF | SHEETS | STA. 7+50.00 | TO STA. 8+50.00 | CONTRACT NO. 66C53 |
| | PLOT DATE = 6/10/2014 | DATE - | REVISED - | | | | | | | | ILLINOIS FED. AID PROJECT |

| | |
|----------|--|
| DATE | |
| BY | |
| SURVEYED | |
| PLOTTED | |
| TEMPLATE | |
| AREAS | |
| CHECKED | |
| NO. | |

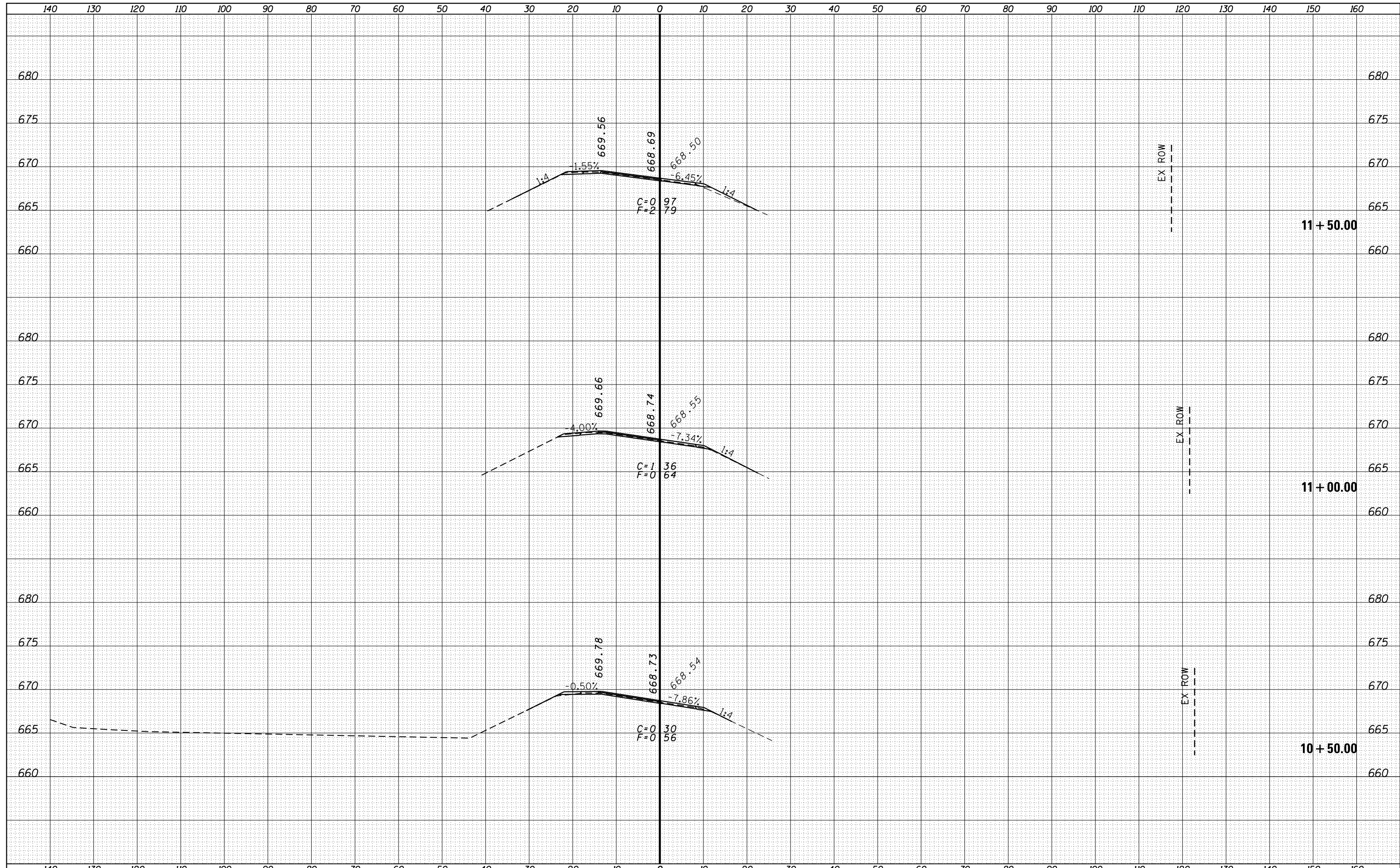
| | |
|----------|--|
| DATE | |
| BY | |
| SURVEYED | |
| PLOTTED | |
| TEMPLATE | |
| AREAS | |
| CHECKED | |
| NO. | |



| | | | | | | | | | | | | |
|--|-----------------------------|------------|-----------|---|--------------------------------|-------|----|-------------|--------------|------------------|--------------------|---------------------------|
| FILE NAME = | USER NAME = duncanbd | DESIGNED - | REVISÉD - | STATE OF ILLINOIS DEPARTMENT OF TRANSPORTATION | CROSS SECTIONS - RAMP C | | | F.A.I. RTE. | SECTION | COUNTY | TOTAL SHEETS | SHEET NO. |
| es:\pw_work\pwidth\duncanbd\0319542\0366C53-xshtrmpc.dgn | DRAWN - | REVISÉD - | 57 | | | | | (38-3)RS-2 | IROQUOIS | 186 | 164 | |
| Default | PLOT SCALE = 20.0000' / in. | CHECKED - | REVISÉD - | | SCALE: | SHEET | OF | SHEETS | STA. 9+00.00 | TO STA. 10+00.00 | CONTRACT NO. 66C53 | ILLINOIS FED. AID PROJECT |
| | PLOT DATE = 6/10/2014 | DATE - | REVISÉD - | | | | | | | | | |

| | |
|----------|--|
| DATE | |
| BY | |
| SURVEYED | |
| PLOTTED | |
| TEMPLATE | |
| AREAS | |
| CHECKED | |
| NO. | |

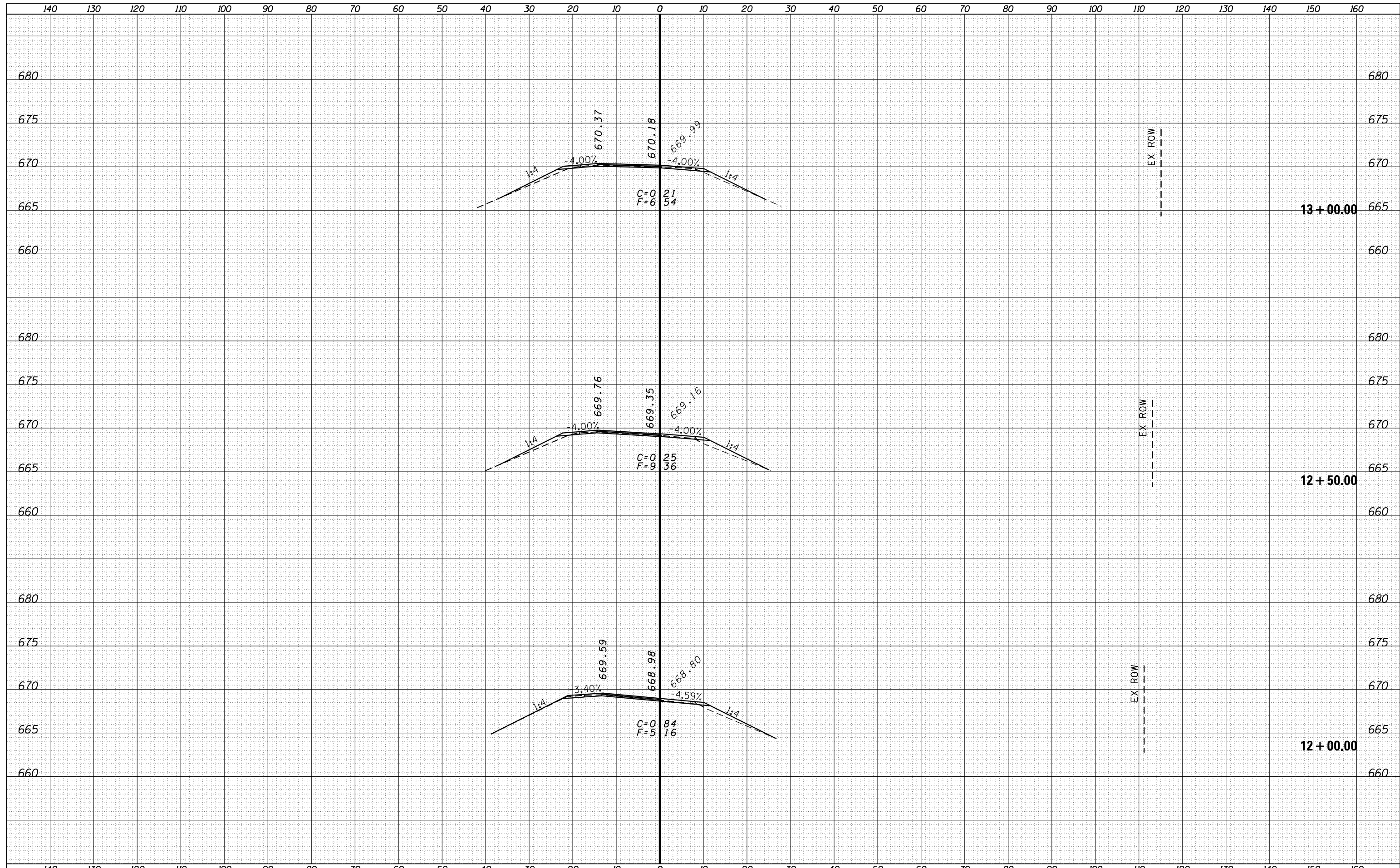
| | |
|----------|--|
| DATE | |
| BY | |
| SURVEYED | |
| PLOTTED | |
| TEMPLATE | |
| AREAS | |
| CHECKED | |
| NO. | |



| | | | | | | | | | | | |
|---|-----------------------------|------------|-----------|---|--------------------------------|-----------------|--------------------------------|--------------------|--------|--------------|-----------|
| FILE NAME = | USER NAME = duncanbd | DESIGNED - | REVISED - | STATE OF ILLINOIS DEPARTMENT OF TRANSPORTATION | CROSS SECTIONS - RAMP C | | F.A.I. RTE. | SECTION | COUNTY | TOTAL SHEETS | SHEET NO. |
| es:\pw_work\pwidot\duncanbd\d0319542\0366C53-xshtrmpc.dgn | | DRAWN - | REVISED - | | 57 | (38-3)RS-2 | IROQUOIS | 186 | 165 | | |
| Default | PLOT SCALE = 20.0000' / in. | CHECKED - | REVISED - | | SCALE: | SHEET OF SHEETS | STA. 10+50.00 TO STA. 11+50.00 | CONTRACT NO. 66C53 | | | |
| | PLOT DATE = 6/10/2014 | DATE - | REVISED - | | ILLINOIS FED. AID PROJECT | | | | | | |

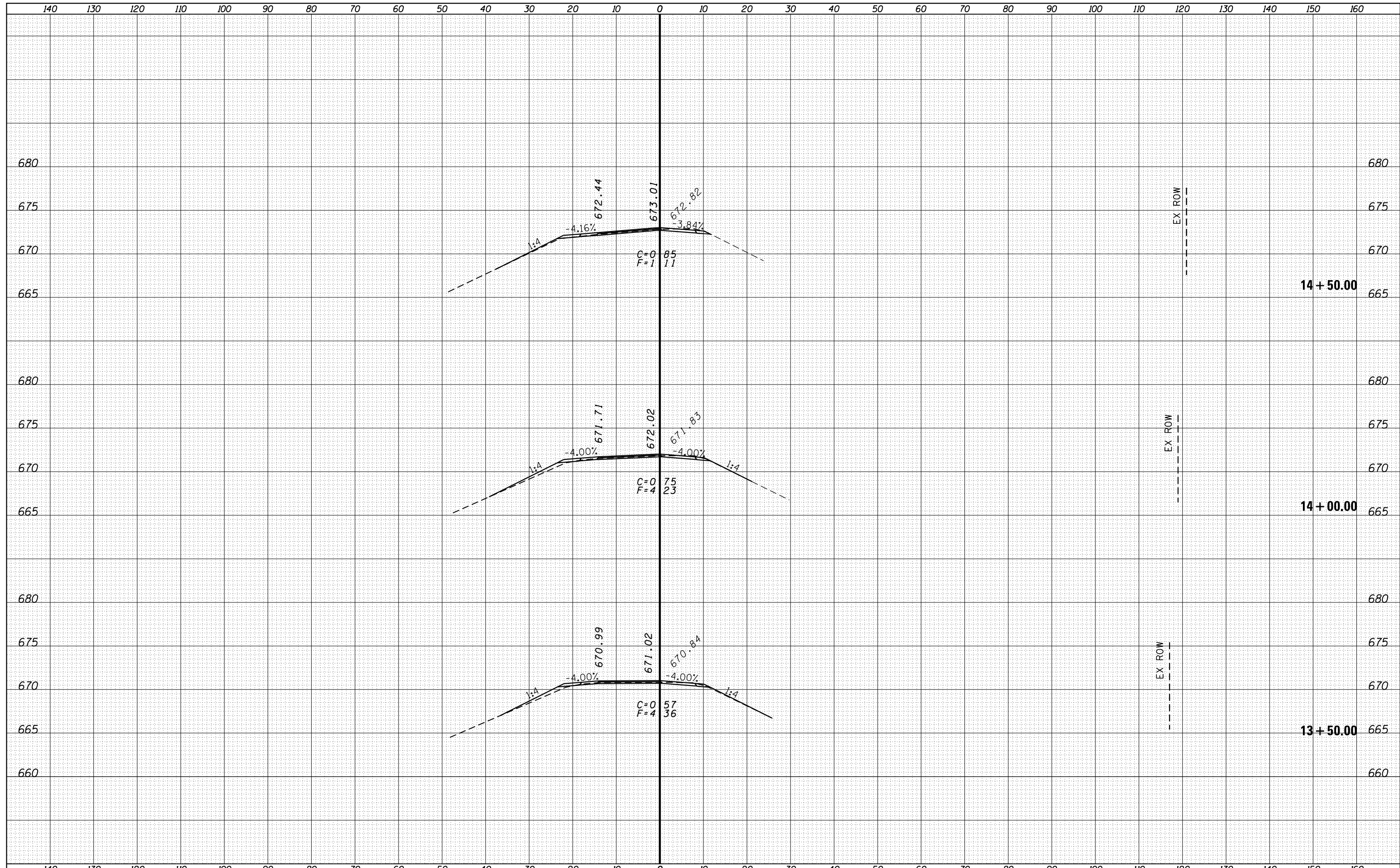
| | |
|--------------|--|
| DATE | |
| BY | |
| SURVEYED | |
| PLOTTED | |
| TEMPLATE | |
| AREAS | |
| CHECKED | |
| FINAL SURVEY | |
| NOTE BOOK | |
| NO. | |

| | |
|-----------------|--|
| DATE | |
| BY | |
| SURVEYED | |
| PLOTTED | |
| TEMPLATE | |
| AREAS | |
| CHECKED | |
| ORIGINAL SURVEY | |
| NOTE BOOK | |
| NO. | |



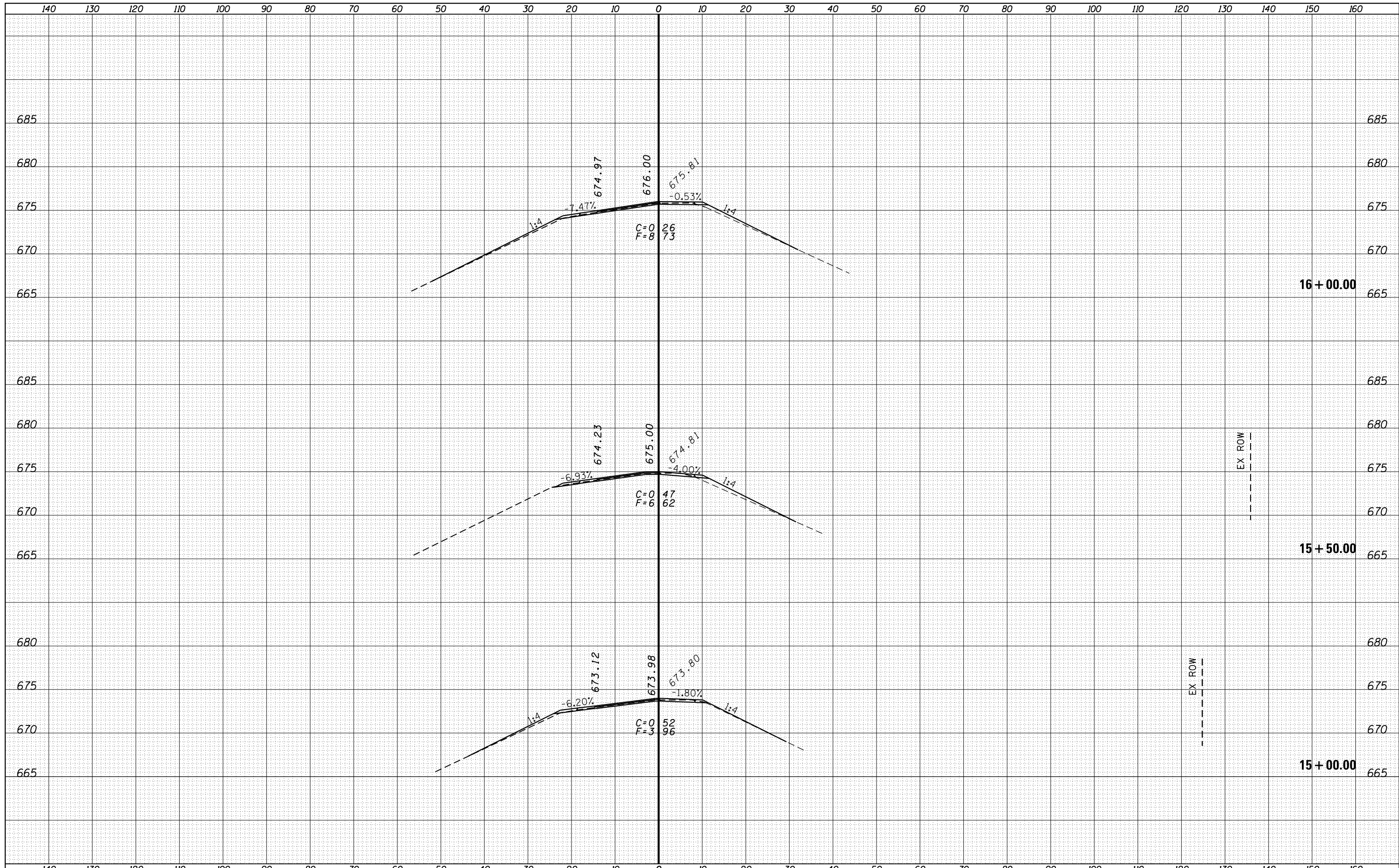
| | |
|--------------|--|
| DATE | |
| BY | |
| SURVEYED | |
| PLOTTED | |
| TEMPLATE | |
| AREAS | |
| CHECKED | |
| FINAL SURVEY | |
| NOTE BOOK | |
| NO. | |

| | |
|-----------------|--|
| DATE | |
| BY | |
| SURVEYED | |
| PLOTTED | |
| TEMPLATE | |
| AREAS | |
| CHECKED | |
| ORIGINAL SURVEY | |
| NOTE BOOK | |
| NO. | |



| | |
|--------------|--|
| DATE | |
| BY | |
| SURVEYED | |
| PLOTTED | |
| TEMPLATE | |
| AREAS | |
| CHECKED | |
| FINAL SURVEY | |
| NOTE BOOK | |
| NO. | |

| | |
|-----------------|--|
| DATE | |
| BY | |
| SURVEYED | |
| PLOTTED | |
| TEMPLATE | |
| AREAS | |
| CHECKED | |
| ORIGINAL SURVEY | |
| NOTE BOOK | |
| NO. | |



FILE NAME =
 c:\pw_work\pwidot\duncanbd\0315542\0366C53-xshtrmpc.dgn
 Default

USER NAME = duncanbd
 PLOT SCALE = 20.0000' / in.
 PLOT DATE = 6/10/2014

DESIGNED -
 DRAWN -
 CHECKED -
 DATE -

REVISED -
 REVISED -
 REVISED -
 REVISED -

**STATE OF ILLINOIS
 DEPARTMENT OF TRANSPORTATION**

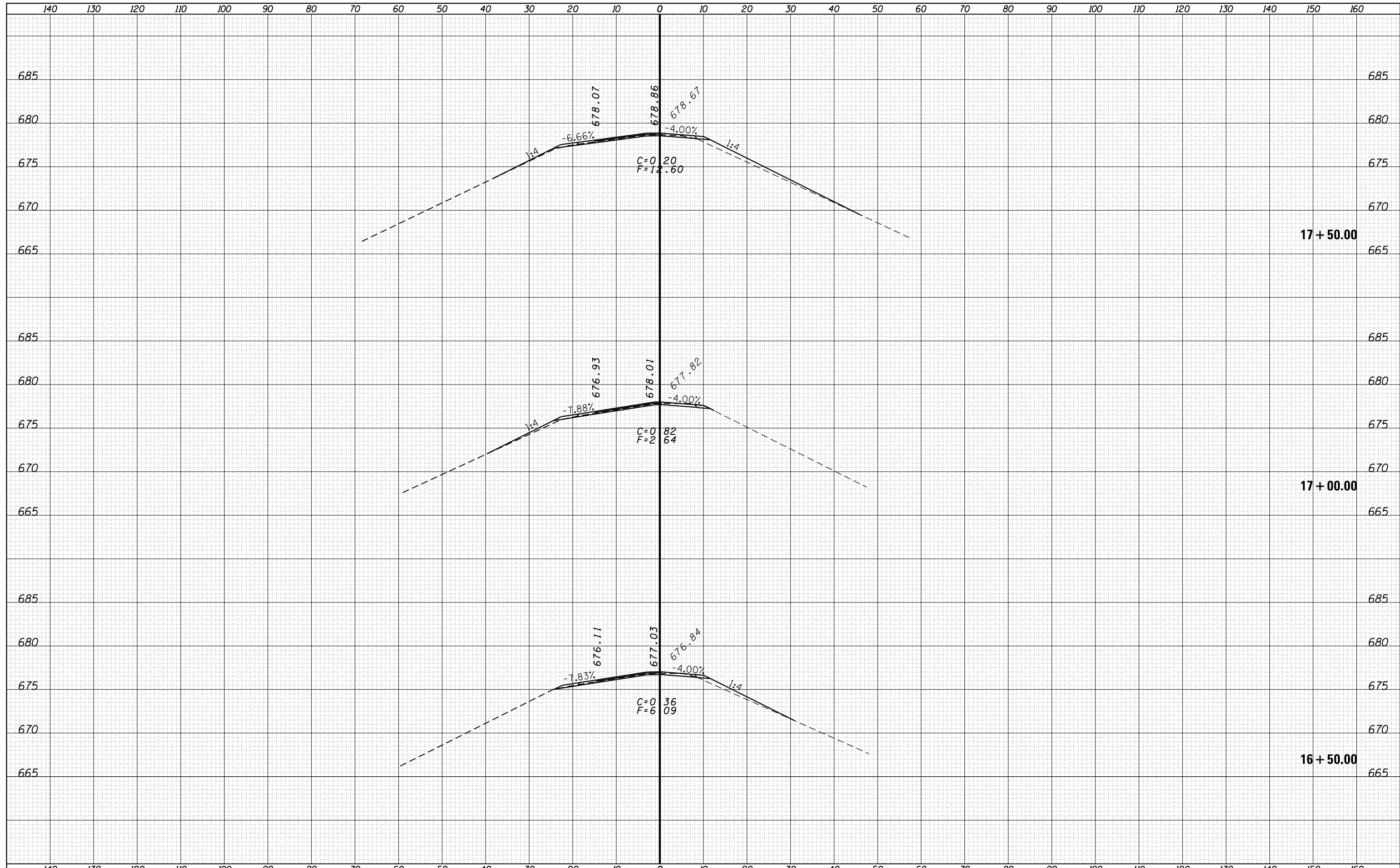
CROSS SECTIONS - RAMP C

SCALE: SHEET OF SHEETS STA. 15+00.00 TO STA. 16+00.00

| F.A.I. RTE. | SECTION | COUNTY | TOTAL SHEETS | SHEET NO. |
|---------------------------|------------|----------|--------------------|-----------|
| 57 | (38-3)RS-2 | IROQUOIS | 186 | 168 |
| | | | CONTRACT NO. 66C53 | |
| ILLINOIS FED. AID PROJECT | | | | |

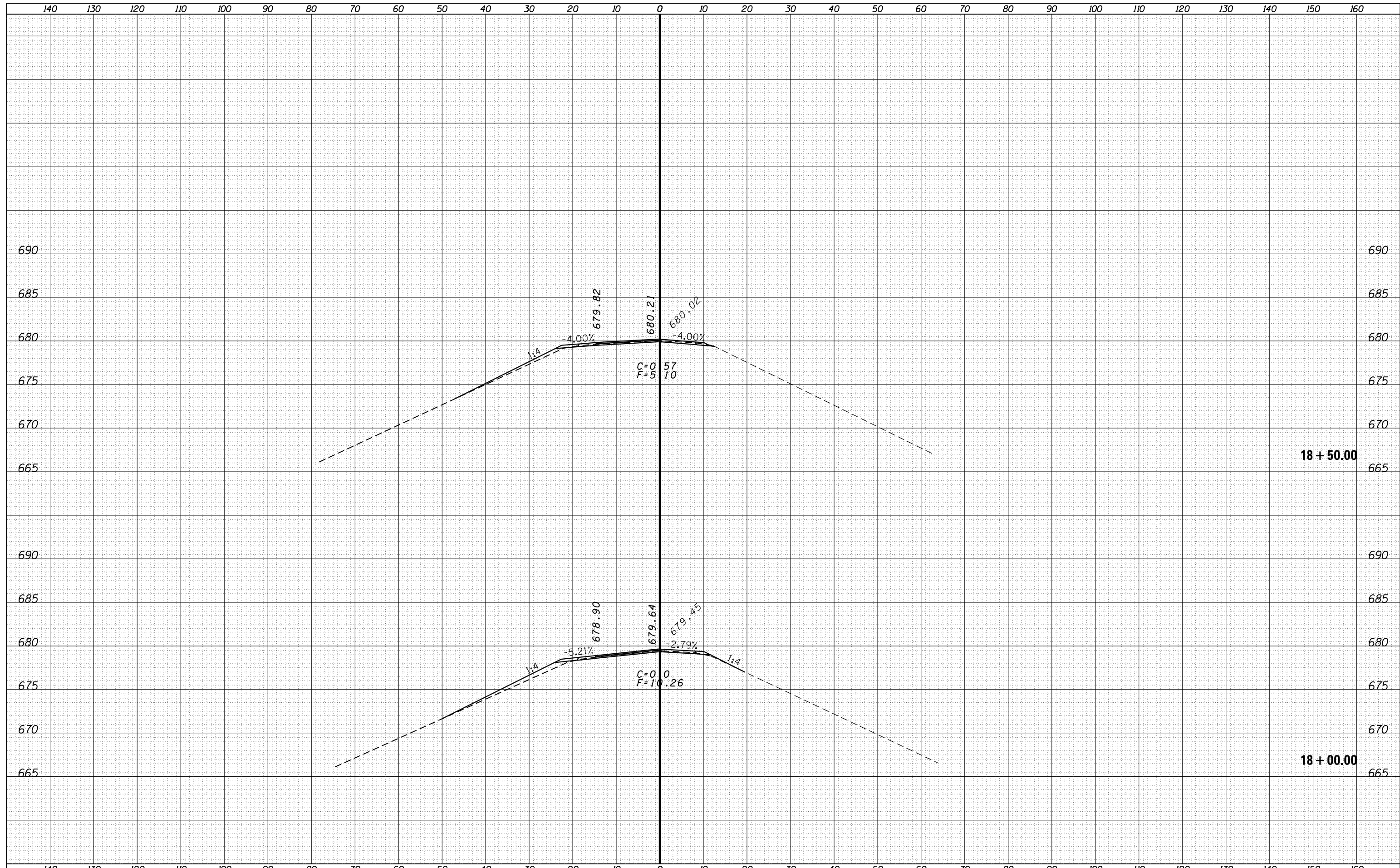
| | |
|-----------------|--|
| DATE | |
| BY | |
| ORIGINAL SURVEY | |
| SURVEYED | |
| PLOTTED | |
| TEMPLATE | |
| AREAS | |
| CHECKED | |
| NO. | |

| | |
|-----------------|--|
| DATE | |
| BY | |
| ORIGINAL SURVEY | |
| SURVEYED | |
| PLOTTED | |
| TEMPLATE | |
| AREAS | |
| CHECKED | |
| NO. | |



| | |
|--------------|--|
| DATE | |
| BY | |
| SURVEYED | |
| PLOTTED | |
| TEMPLATE | |
| AREAS | |
| CHECKED | |
| FINAL SURVEY | |
| NOTE BOOK | |
| NO. | |

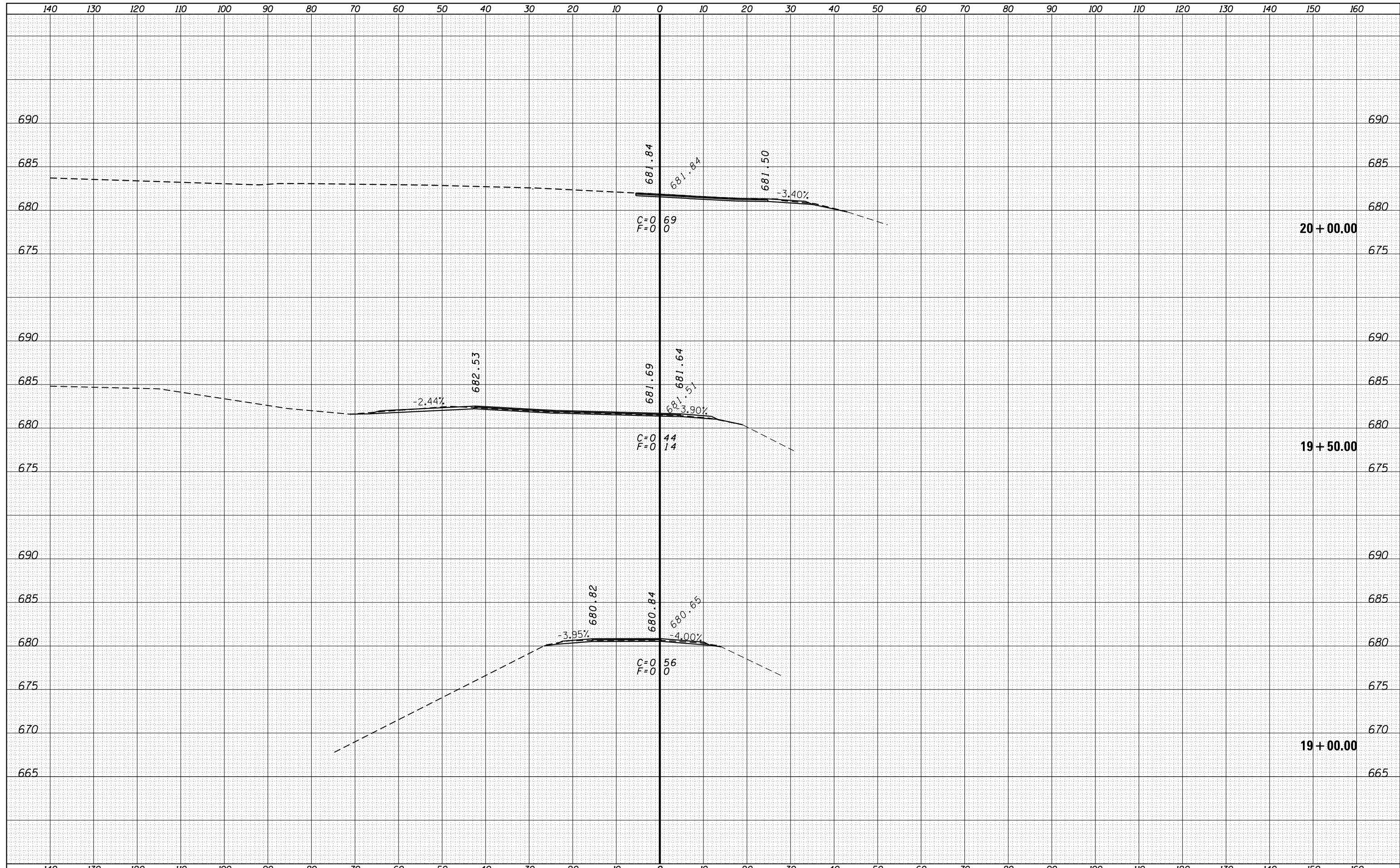
| | |
|-----------------|--|
| DATE | |
| BY | |
| SURVEYED | |
| PLOTTED | |
| TEMPLATE | |
| AREAS | |
| CHECKED | |
| ORIGINAL SURVEY | |
| NOTE BOOK | |
| NO. | |



| | | | | | | | | | | | | |
|--|-----------------------------|------------|-----------|---|--------------------------------|-------|-------------|----------|---------------|------------------|--------------------|--|
| FILE NAME = | USER NAME = duncanbd | DESIGNED - | REVISÉD - | STATE OF ILLINOIS DEPARTMENT OF TRANSPORTATION | CROSS SECTIONS - RAMP C | | F.A.I. RTÉ. | SECTION | COUNTY | TOTAL SHEETS | SHEET NO. | |
| es:\pw_work\pwidot\duncanbd\0319542\0366C53-xshtrmpc.dgn | DRAWN - | REVISÉD - | 57 | | | | (38-3)RS-2 | IROQUOIS | 186 | 170 | | |
| Default | PLOT SCALE = 20.0000' / in. | CHECKED - | REVISÉD - | | SCALE: | SHEET | OF | SHEETS | STA. 18+00.00 | TO STA. 18+50.00 | CONTRACT NO. 66C53 | |
| | PLOT DATE = 6/10/2014 | DATE - | REVISÉD - | | ILLINOIS FED. AID PROJECT | | | | | | | |

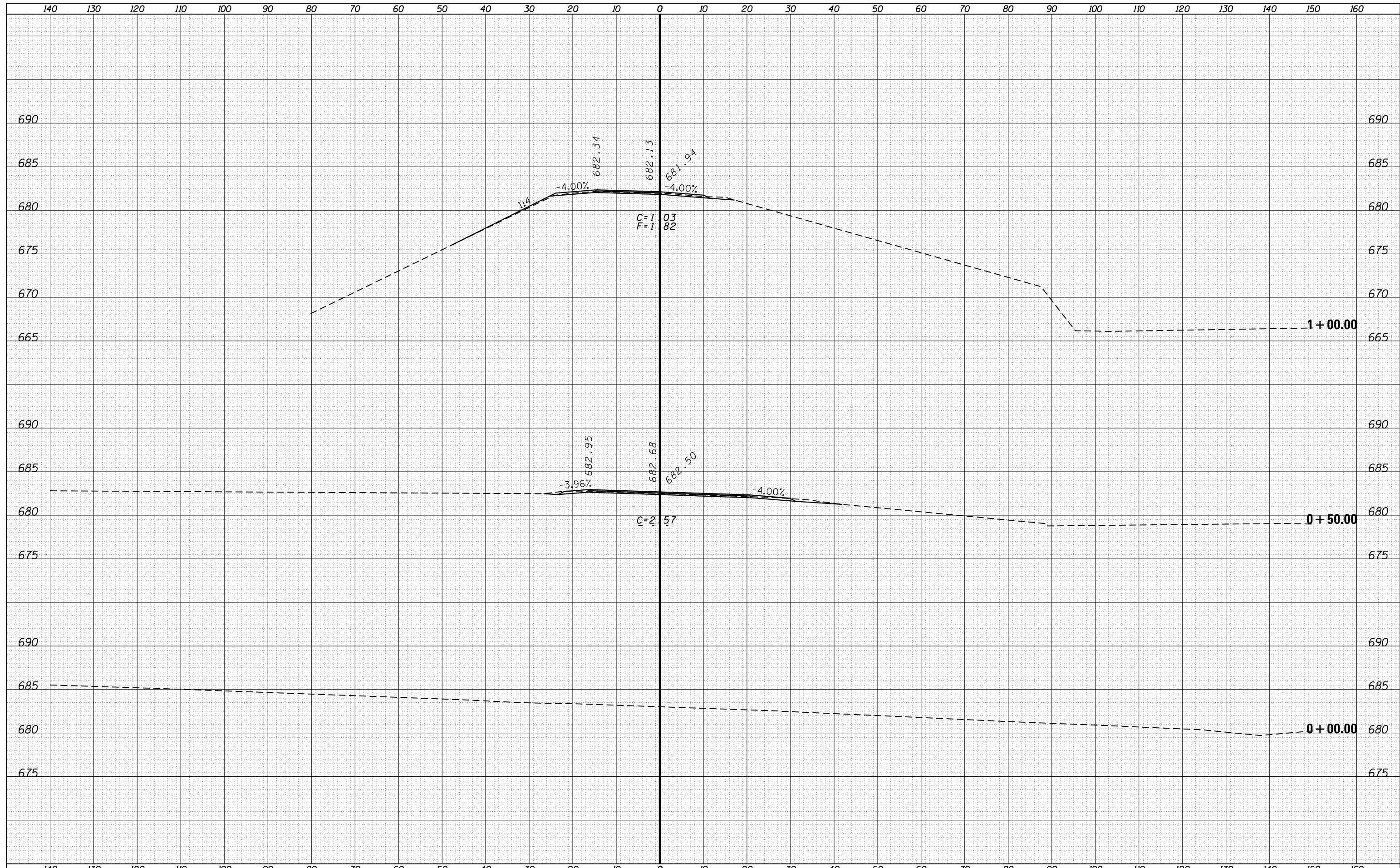
| | |
|--------------|--|
| DATE | |
| BY | |
| SURVEYED | |
| PLOTTED | |
| TEMPLATE | |
| AREAS | |
| CHECKED | |
| FINAL SURVEY | |
| NOTE BOOK | |
| NO. | |

| | |
|-----------------|--|
| DATE | |
| BY | |
| SURVEYED | |
| PLOTTED | |
| TEMPLATE | |
| AREAS | |
| CHECKED | |
| ORIGINAL SURVEY | |
| NOTE BOOK | |
| NO. | |



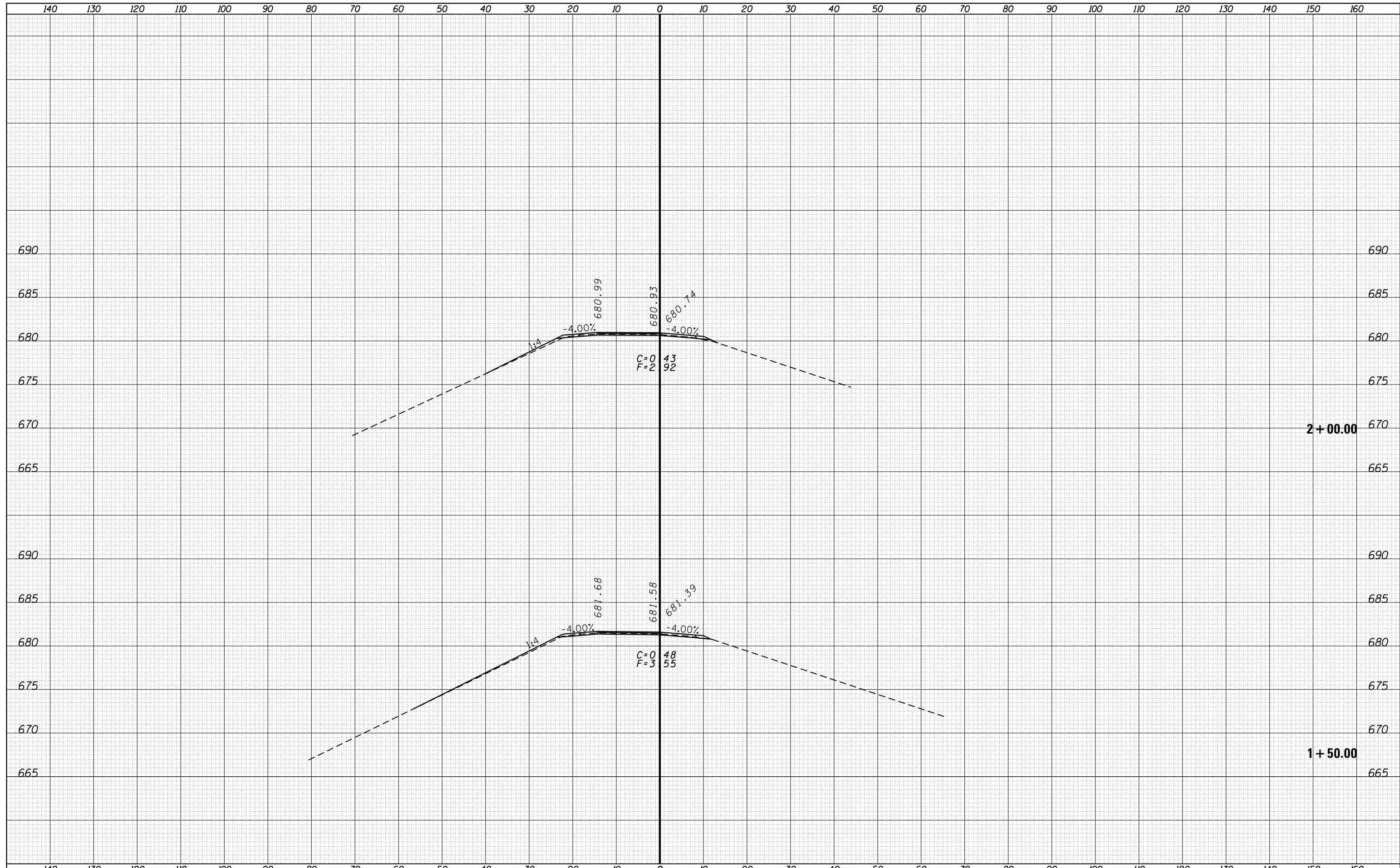
| | |
|--------------|---------------|
| DATE | |
| BY | |
| FINAL SURVEY | SURVEYED |
| NOTE BOOK | PLOTTED |
| NO. | AREAS CHECKED |

| | |
|-----------------|---------------|
| DATE | |
| BY | |
| ORIGINAL SURVEY | SURVEYED |
| NOTE BOOK | PLOTTED |
| NO. | AREAS CHECKED |



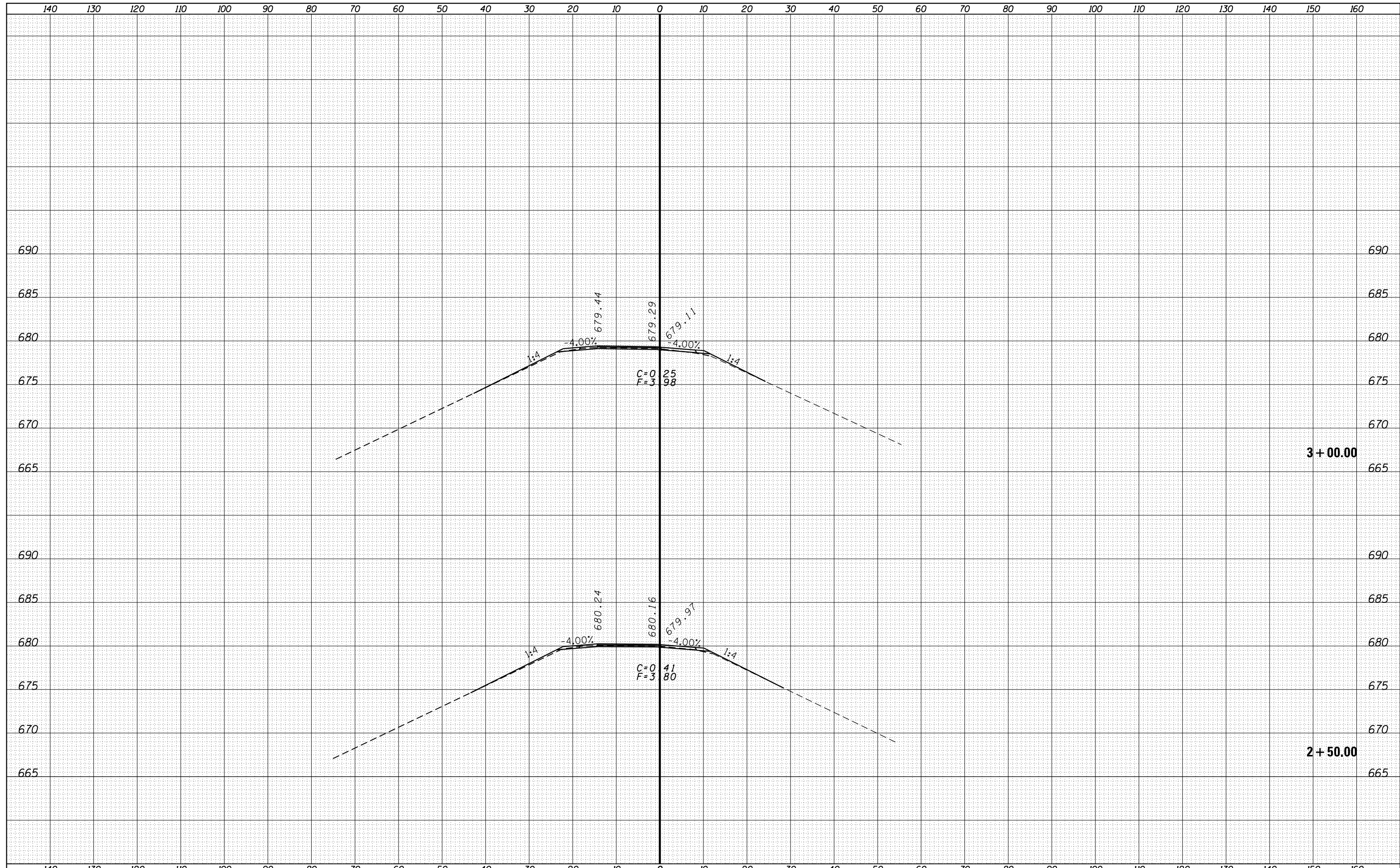
| | |
|--------------|----------|
| DATE | |
| BY | |
| FINAL SURVEY | SURVEYED |
| NOTE BOOK | PLOTTED |
| NO. | TEMPLATE |
| | AREAS |
| | CHECKED |

| | |
|-----------------|----------|
| DATE | |
| BY | |
| ORIGINAL SURVEY | SURVEYED |
| NOTE BOOK | PLOTTED |
| NO. | TEMPLATE |
| | AREAS |
| | CHECKED |



| | |
|--------------|----------|
| DATE | |
| BY | |
| FINAL SURVEY | SURVEYED |
| NOTE BOOK | PLOTTED |
| NO. | TEMPLATE |
| | AREAS |
| | CHECKED |

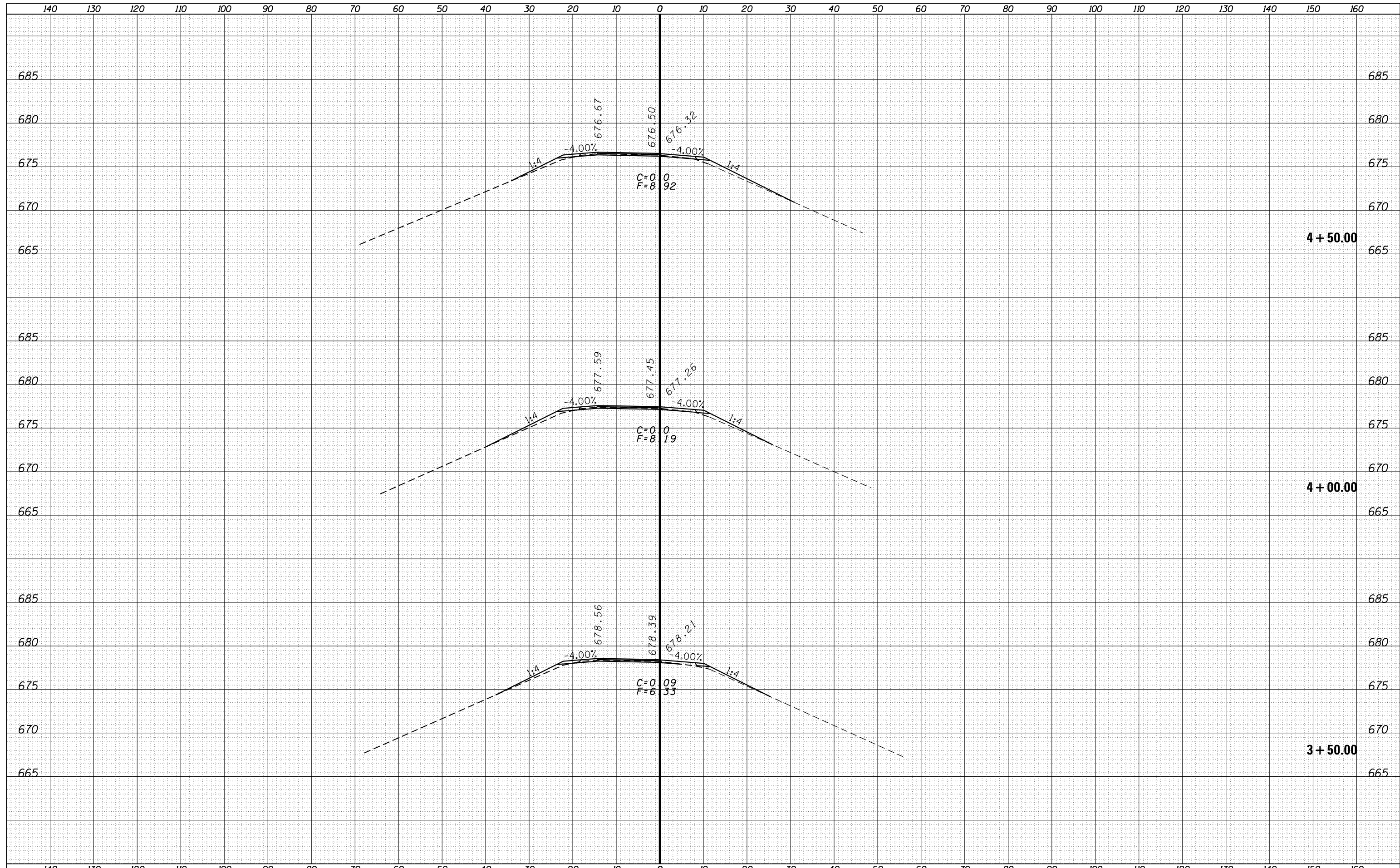
| | |
|-----------------|----------|
| DATE | |
| BY | |
| ORIGINAL SURVEY | SURVEYED |
| NOTE BOOK | PLOTTED |
| NO. | TEMPLATE |
| | AREAS |
| | CHECKED |



| | | | | | | | | | | | | |
|---|-----------------------------|------------|----------|---|--------------------------------|-------|-------------|----------|--------------|-----------------|--------------------|--|
| FILE NAME = | USER NAME = duncanbd | DESIGNED - | REVISÉ - | STATE OF ILLINOIS DEPARTMENT OF TRANSPORTATION | CROSS SECTIONS - RAMP D | | F.A.I. RTÉ. | SECTION | COUNTY | TOTAL SHEETS | SHEET NO. | |
| es:\pw_work\pwidot\duncanbd\d0319542\0366C53-xshtrmpd.dgn | DRAWN - | REVISÉ - | 57 | | | | (38-3)RS-2 | IROQUOIS | 186 | 174 | | |
| Default | PLOT SCALE = 20.0000' / in. | CHECKED - | REVISÉ - | | SCALE: | SHEET | OF | SHEETS | STA. 2+50.00 | TO STA. 3+00.00 | CONTRACT NO. 66C53 | |
| | PLOT DATE = 6/10/2014 | DATE - | REVISÉ - | | ILLINOIS FED. AID PROJECT | | | | | | | |

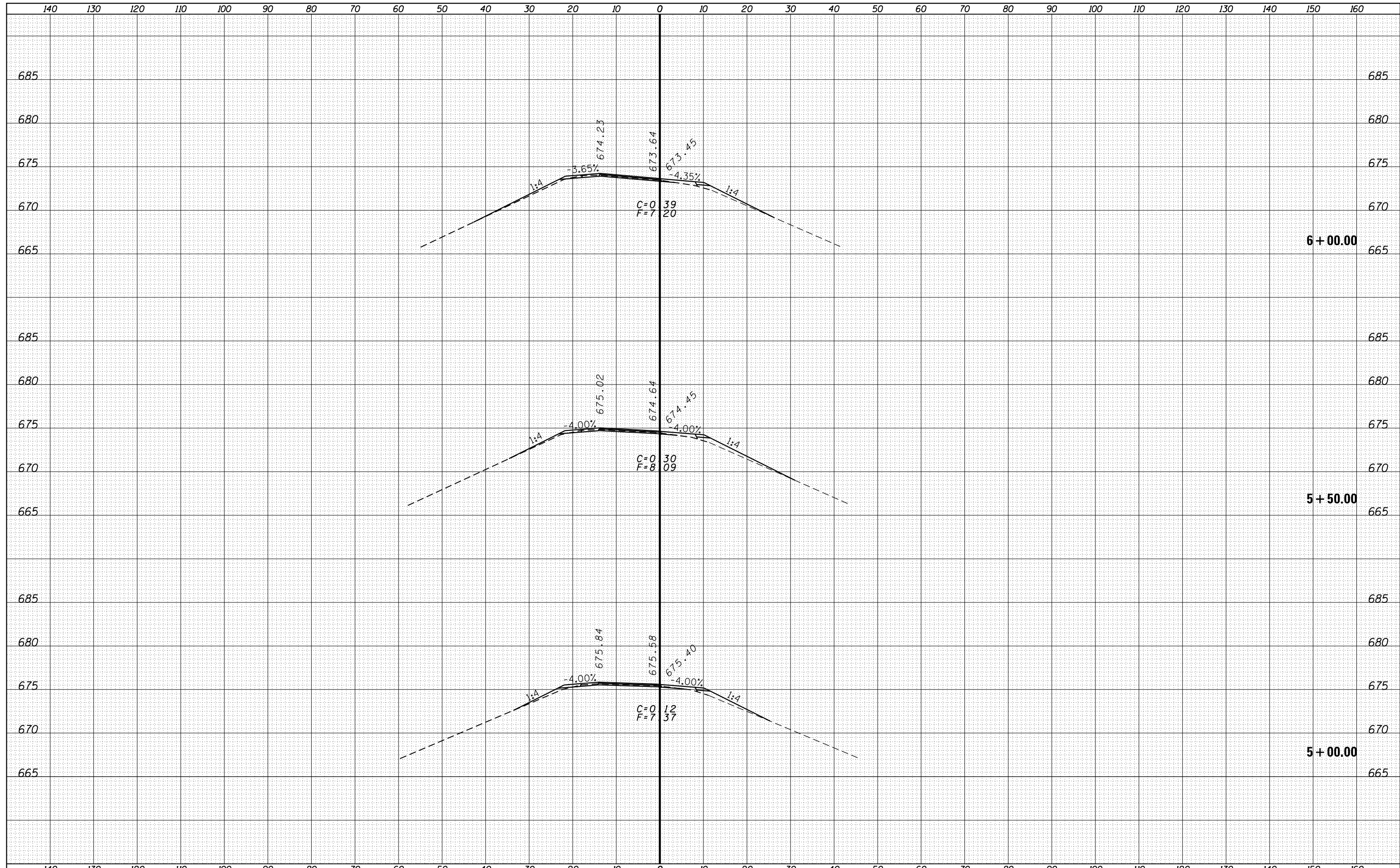
| | |
|------------------|--|
| DATE | |
| BY | |
| SURVEYED | |
| PLOTTED | |
| TEMPLATE | |
| AREAS | |
| CHECKED | |
| FINAL SURVEY NO. | |
| NOTE BOOK NO. | |
| AREAS CHECKED | |

| | |
|---------------------|--|
| DATE | |
| BY | |
| SURVEYED | |
| PLOTTED | |
| TEMPLATE | |
| AREAS | |
| CHECKED | |
| ORIGINAL SURVEY NO. | |
| NOTE BOOK NO. | |
| AREAS CHECKED | |



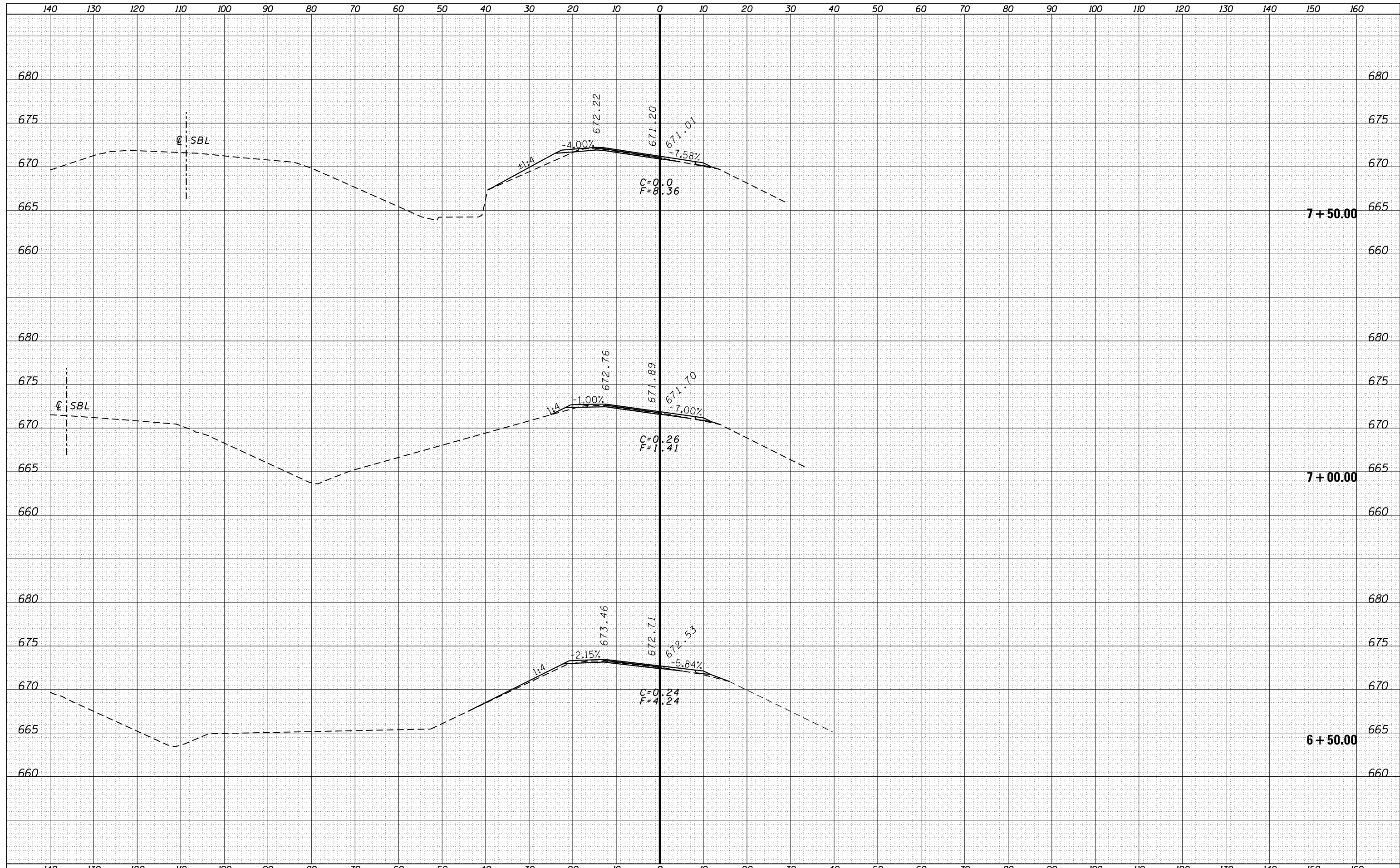
| | |
|--------------|----------|
| DATE | |
| BY | |
| FINAL SURVEY | SURVEYED |
| NOTE BOOK | PLOTTED |
| NO. | TEMPLATE |
| | AREAS |
| | CHECKED |

| | |
|-----------------|----------|
| DATE | |
| BY | |
| ORIGINAL SURVEY | SURVEYED |
| NOTE BOOK | PLOTTED |
| NO. | TEMPLATE |
| | AREAS |
| | CHECKED |

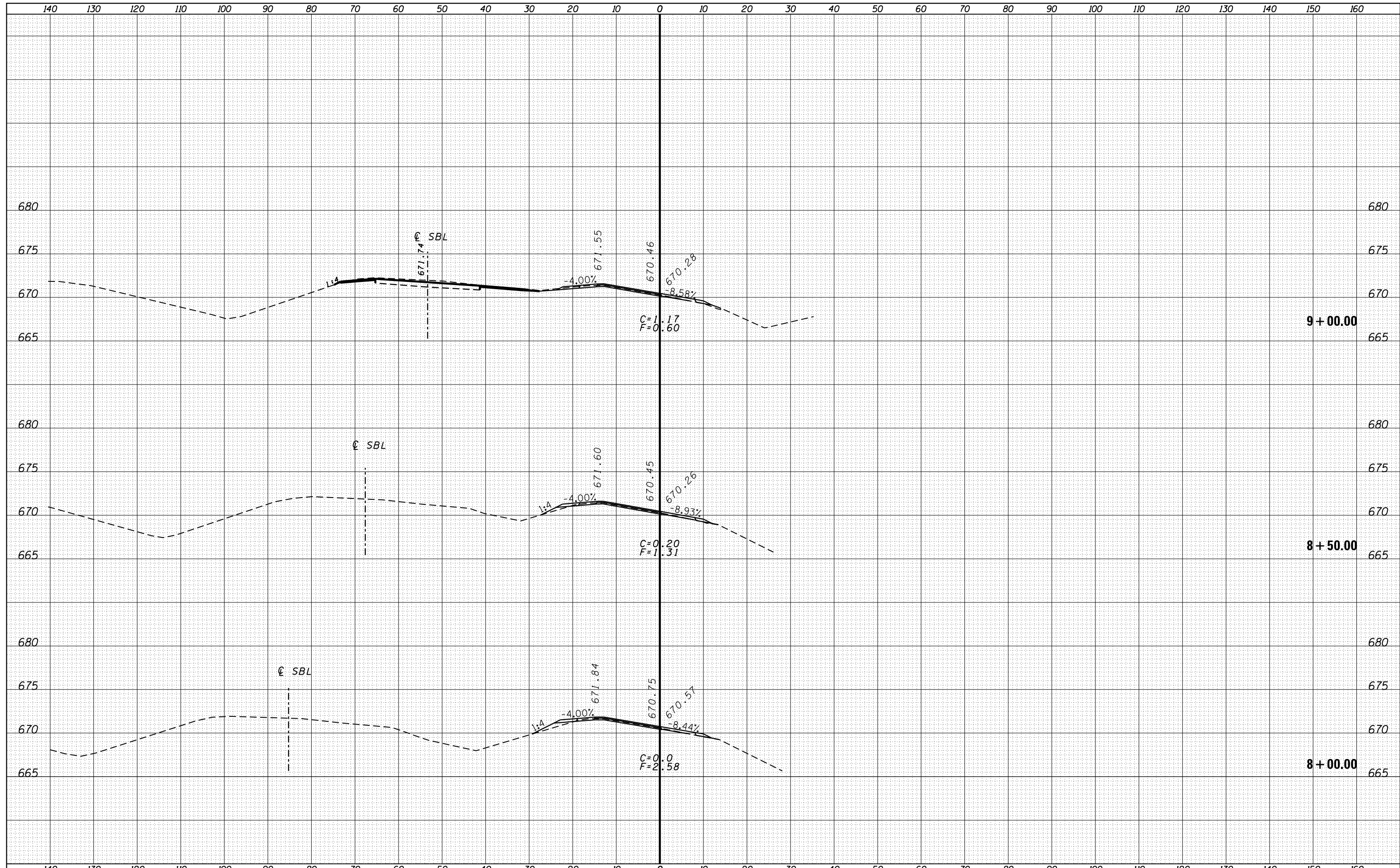


| | |
|--------------|--|
| DATE | |
| BY | |
| SURVEYED | |
| PLOTTED | |
| TEMPLATE | |
| AREAS | |
| CHECKED | |
| FINAL SURVEY | |
| NOTE BOOK | |
| NO. | |

| | |
|-----------------|--|
| DATE | |
| BY | |
| SURVEYED | |
| PLOTTED | |
| TEMPLATE | |
| AREAS | |
| CHECKED | |
| ORIGINAL SURVEY | |
| NOTE BOOK | |
| NO. | |



| | | | | | | | | | | | |
|---|-----------------------------|------------|-----------|---|--------------------------------|-----------------|------------------------------|--------------------|--------|---------------------------|-----------|
| FILE NAME = | USER NAME = duncanbd | DESIGNED - | REVISÉD - | STATE OF ILLINOIS DEPARTMENT OF TRANSPORTATION | CROSS SECTIONS - RAMP D | | F.A.I. RTÉ. | SECTION | COUNTY | TOTAL SHEETS | SHEET NO. |
| es:\pw_work\pwidot\duncanbd\d0319542\0366C53-xshtrmpd.dgn | DRAWN - | REVISÉD - | 57 | | | | (38-3)RS-2 | IROQUOIS | 186 | 177 | |
| Default | PLOT SCALE = 20.0000' / in. | CHECKED - | REVISÉD - | | SCALE: | SHEET OF SHEETS | STA. 6+50.00 TO STA. 7+50.00 | CONTRACT NO. 66C53 | | ILLINOIS FED. AID PROJECT | |
| | PLOT DATE = 6/10/2014 | DATE - | REVISÉD - | | | | | | | | |



| | |
|----------|------|
| BY | DATE |
| SURVEYED | |
| PLOTTED | |
| TEMPLATE | |
| AREAS | |
| CHECKED | |
| NO. | |

| | |
|----------|------|
| BY | DATE |
| SURVEYED | |
| PLOTTED | |
| TEMPLATE | |
| AREAS | |
| CHECKED | |
| NO. | |

FILE NAME =
 es:\pw_work\pwidot\duncanbd\d0319542\0366C53-xshtrmpd.dgn

USER NAME = duncanbd
 DESIGNED -
 DRAWN -
 CHECKED -
 DATE -

REVISÉ -
 REVISÉ -
 REVISÉ -
 REVISÉ -

**STATE OF ILLINOIS
 DEPARTMENT OF TRANSPORTATION**

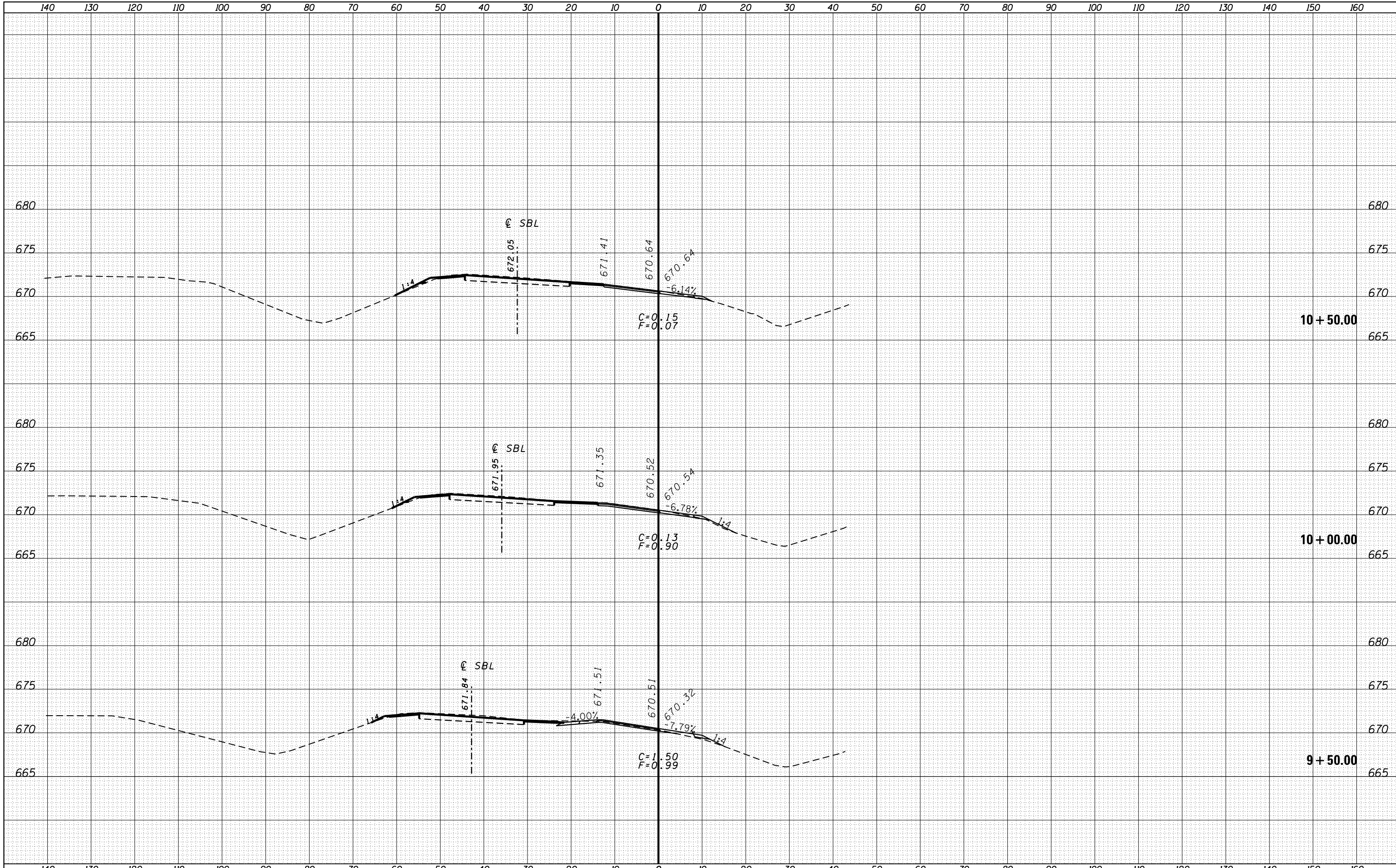
CROSS SECTIONS - RAMP D

SCALE: SHEET OF SHEETS STA. 8+00.00 TO STA. 9+00.00

| F.A.I. RTÉ. | SECTION | COUNTY | TOTAL SHEETS | SHEET NO. |
|--------------------|------------|----------|---------------------------|--------------|
| 57 | (38-3)RS-2 | IROQUOIS | 186 | 178 |
| CONTRACT NO. 66C53 | | | ILLINOIS FED. AID PROJECT | |

| | | | |
|-------------------------------------|---------------|--|--|
| BY | DATE | | |
| | | | |
| FINAL SURVEY NOTE BOOK NO. | SURVEYED | | |
| | PLOTTED | | |
| | AREAS CHECKED | | |

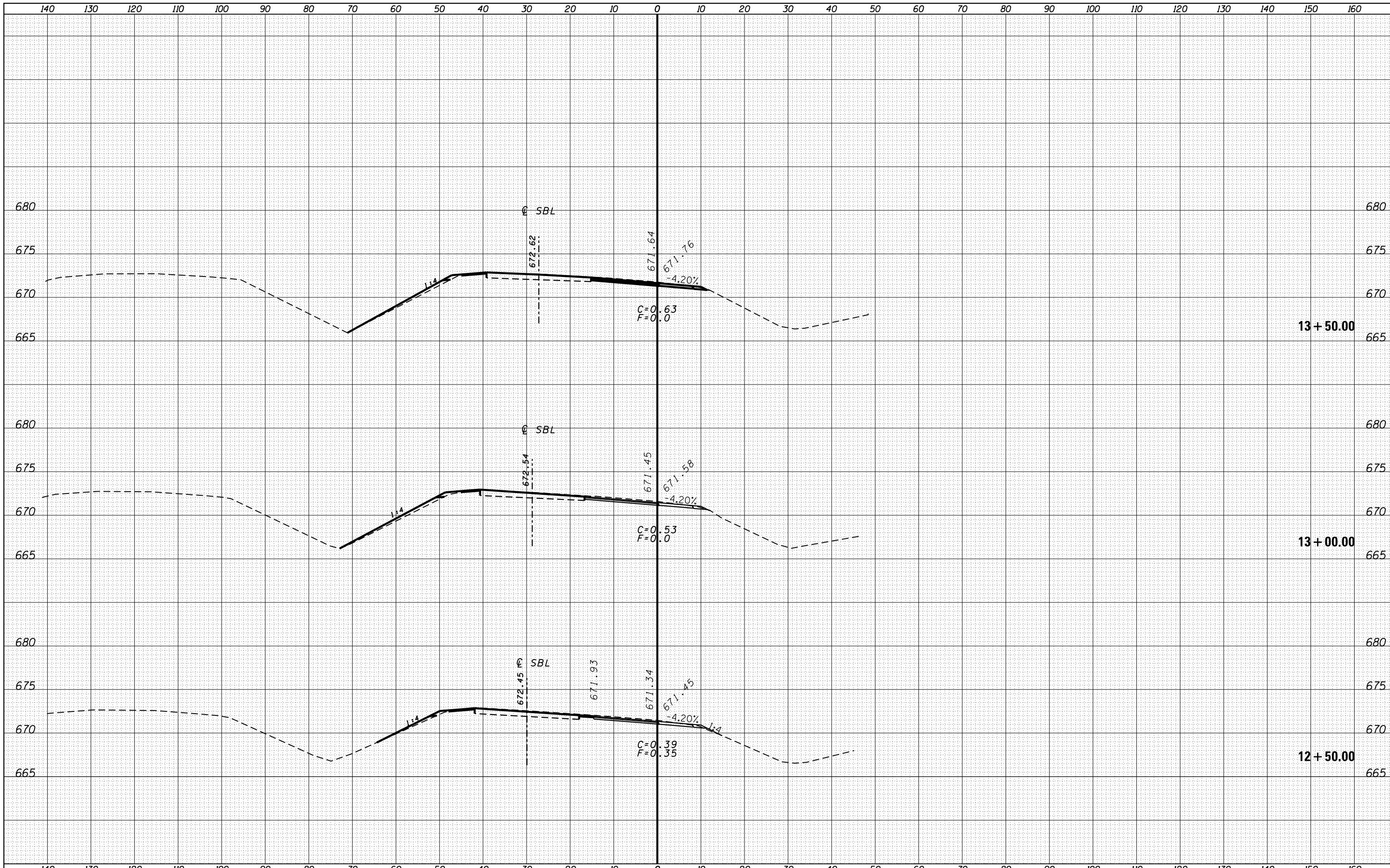
| | | | |
|--|---------------|--|--|
| BY | DATE | | |
| | | | |
| ORIGINAL SURVEY NOTE BOOK NO. | SURVEYED | | |
| | PLOTTED | | |
| | AREAS CHECKED | | |



| | | | | | | | | | |
|--|-----------------------|------------|-----------|--|--------------------|-------------------------------|---------------------------|--------------|-----------|
| FILE NAME = | USER NAME = duncanbd | DESIGNED - | REvised - | <p align="center">STATE OF ILLINOIS DEPARTMENT OF TRANSPORTATION</p> <p align="center">CROSS SECTIONS - RAMP D</p> | F.A.I. RTE. | SECTION | COUNTY | TOTAL SHEETS | SHEET NO. |
| es:\pw_work\pwt\dot\duncanbd\d0319542\0366C53-xshtrmpd.dgn | | DRAWN - | REvised - | | 57 | (38-3)RS-2 | IROQUOIS | 186 | 179 |
| PLOT SCALE = 20.0000' / in. | | CHECKED - | REvised - | | CONTRACT NO. 66C53 | | | | |
| Default | PLOT DATE = 6/10/2014 | DATE - | REvised - | SCALE: | SHEET OF SHEETS | STA. 9+50.00 TO STA. 10+50.00 | ILLINOIS FED. AID PROJECT | | |

| | |
|----|------|
| BY | DATE |
| | |
| | |
| | |
| | |
| | |
| | |
| | |
| | |
| | |
| | |
| | |
| | |
| | |

| | |
|----|------|
| BY | DATE |
| | |
| | |
| | |
| | |
| | |
| | |
| | |
| | |
| | |
| | |
| | |
| | |
| | |



| | | | |
|---|----------------------|------------|------------|
| FILE NAME = | USER NAME = duncanbd | DESIGNED - | REVISIED - |
| es:\pw_work\pwidot\duncanbd\d0319542\0366C53-xshtrmpd.dgn | | DRAWN - | REVISIED - |
| Default | | CHECKED - | REVISIED - |
| | | DATE - | REVISIED - |
| | | | |

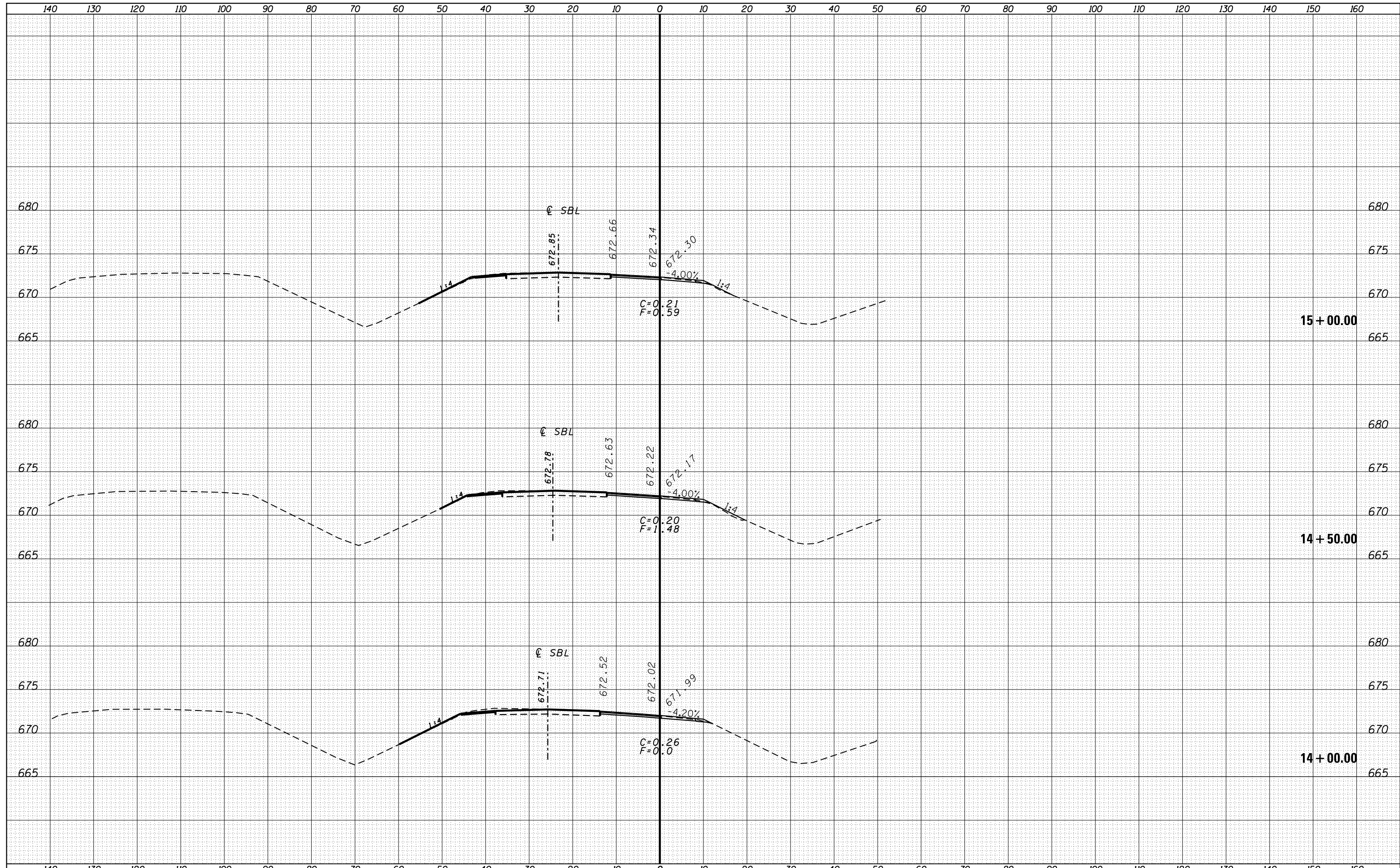
**STATE OF ILLINOIS
DEPARTMENT OF TRANSPORTATION**

| | |
|--------------------------------|--|
| CROSS SECTIONS - RAMP D | |
| SCALE: | SHEET OF SHEETS STA. 12+50.00 TO STA. 13+50.00 |

| | | | | |
|---------------------------|------------|----------|--------------|--------------------|
| F.A.I. RTE. | SECTION | COUNTY | TOTAL SHEETS | SHEET NO. |
| 57 | (38-3)RS-2 | IROQUOIS | 186 | 181 |
| | | | | CONTRACT NO. 66C53 |
| ILLINOIS FED. AID PROJECT | | | | |

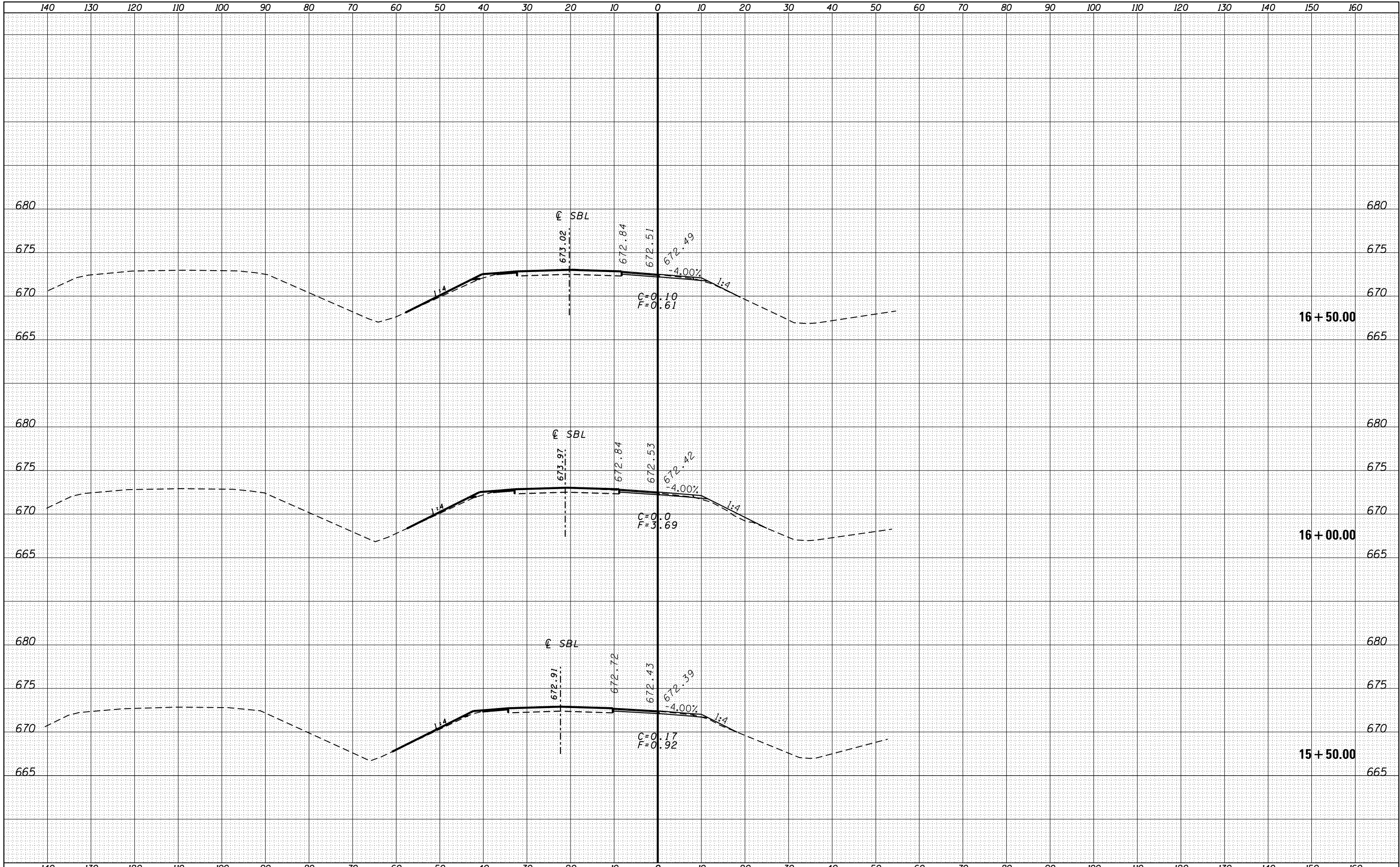
| | |
|----------|----|
| DATE | BY |
| | |
| NO. | |
| | |
| FINISHED | |
| PLANNED | |
| NOTED | |
| AREAS | |
| CHECKED | |

| | |
|----------|----|
| DATE | BY |
| | |
| NO. | |
| | |
| ORIGINAL | |
| SURVEY | |
| NOTE | |
| BOOK | |
| AREAS | |
| CHECKED | |



| | |
|--------------|--|
| DATE | |
| BY | |
| FINAL SURVEY | |
| NOTE BOOK | |
| NO. | |
| SURVEYED | |
| PLOTTED | |
| TEMPLATE | |
| AREAS | |
| CHECKED | |

| | |
|-----------------|--|
| DATE | |
| BY | |
| ORIGINAL SURVEY | |
| NOTE BOOK | |
| NO. | |
| SURVEYED | |
| PLOTTED | |
| TEMPLATE | |
| AREAS | |
| CHECKED | |



FILE NAME =
 es:\pw\work\pwidot\duncanbd\d0315542\0366C53-xshtrmpd.dgn
 Default

| | |
|-----------------------------|------------|
| USER NAME = duncanbd | DESIGNED - |
| PLOT SCALE = 20.0000' / in. | DRAWN - |
| PLOT DATE = 6/10/2014 | CHECKED - |
| | DATE - |

| |
|-----------|
| REVISÉD - |
| REVISÉD - |
| REVISÉD - |
| REVISÉD - |

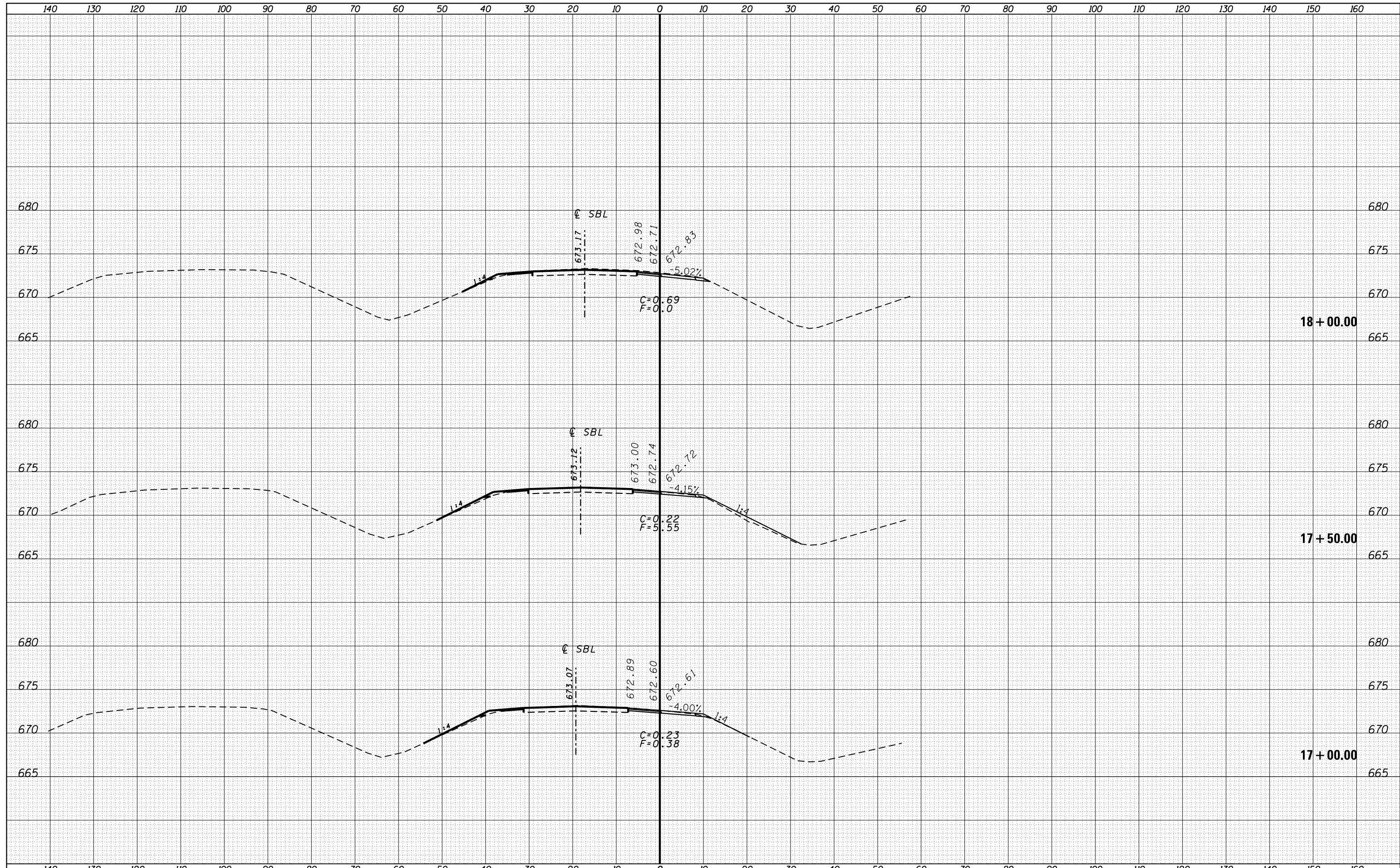
STATE OF ILLINOIS
DEPARTMENT OF TRANSPORTATION

CROSS SECTIONS - RAMP D
 SCALE: SHEET OF SHEETS STA. 15+50.00 TO STA. 16+50.00

| F. A. I. RTE. | SECTION | COUNTY | TOTAL SHEETS | SHEET NO. |
|--------------------|------------|----------|---------------------------|-----------|
| 57 | (38-3)RS-2 | IROQUOIS | 186 | 183 |
| CONTRACT NO. 66C53 | | | ILLINOIS FED. AID PROJECT | |

| | |
|--------------|----------|
| BY | DATE |
| | |
| FINAL SURVEY | SURVEYED |
| NOTE BOOK | PLOTTED |
| NO. | TEMPLATE |
| | AREAS |
| | CHECKED |

| | |
|-----------------|----------|
| BY | DATE |
| | |
| ORIGINAL SURVEY | SURVEYED |
| NOTE BOOK | PLOTTED |
| NO. | TEMPLATE |
| | AREAS |
| | CHECKED |



| | | | |
|---|----------------------|------------|-----------|
| FILE NAME = | USER NAME = duncanbd | DESIGNED - | REVISÉD - |
| es:\pw_work\pwidot\duncanbd\d0319542\0366C53-xshtrmpd.dgn | | DRAWN - | REVISÉD - |
| Default | | CHECKED - | REVISÉD - |
| | | DATE - | REVISÉD - |
| | | | |

| | |
|------------|-----------|
| DESIGNED - | REVISÉD - |
| DRAWN - | REVISÉD - |
| CHECKED - | REVISÉD - |
| DATE - | REVISÉD - |

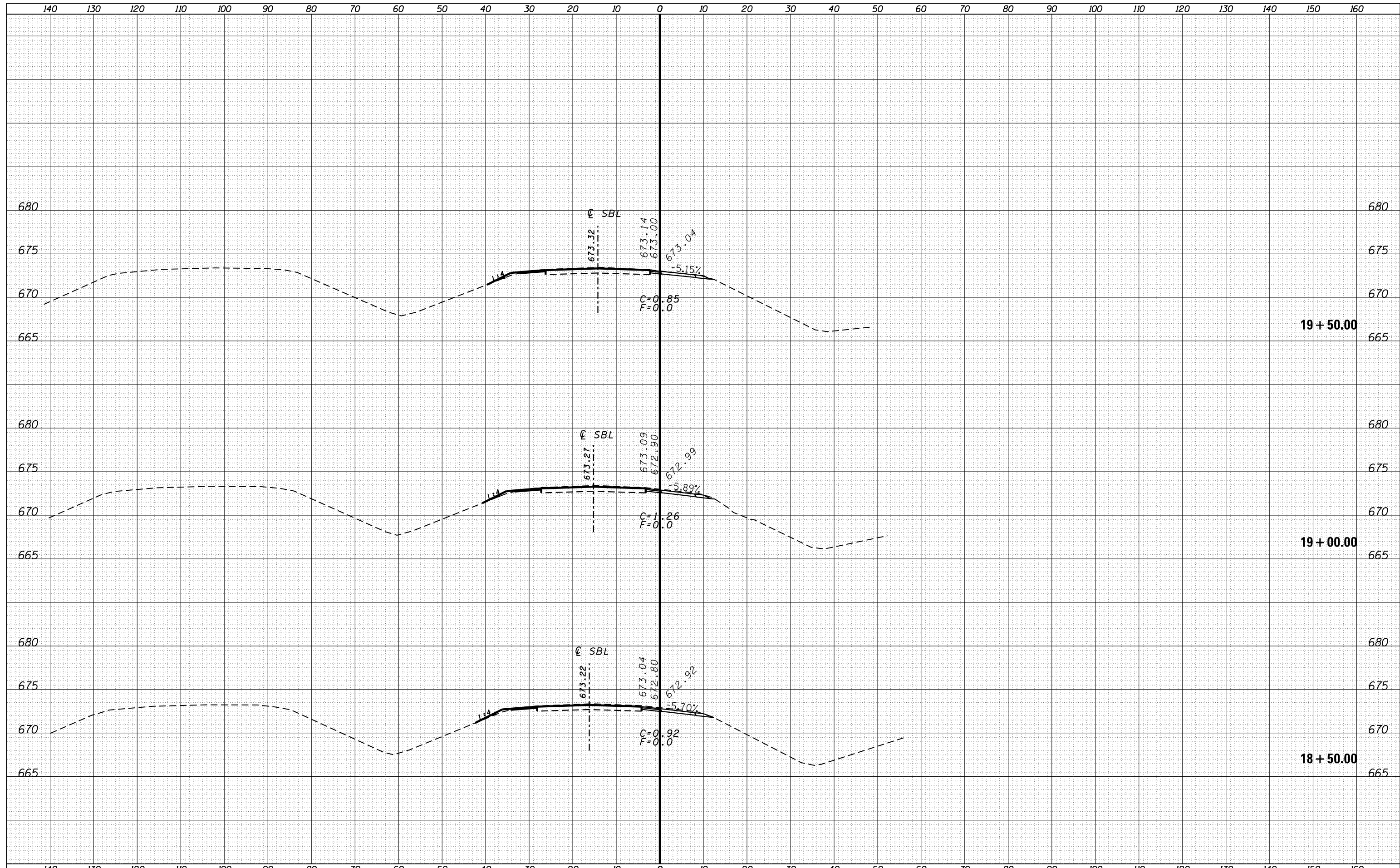
**STATE OF ILLINOIS
DEPARTMENT OF TRANSPORTATION**

| | |
|--------------------------------|--|
| CROSS SECTIONS - RAMP D | |
| SCALE: | SHEET OF SHEETS STA. 17+00.00 TO STA. 18+00.00 |

| | | | | |
|---------------------------|------------|----------|--------------------|-----------|
| F.A.I. RTÉ. | SECTION | COUNTY | TOTAL SHEETS | SHEET NO. |
| 57 | (38-3)RS-2 | IROQUOIS | 186 | 184 |
| | | | CONTRACT NO. 66C53 | |
| ILLINOIS FED. AID PROJECT | | | | |

| | |
|-----------------|--|
| DATE | |
| BY | |
| ORIGINAL SURVEY | |
| SURVEYED | |
| PLOTTED | |
| TEMPLATE | |
| AREAS | |
| CHECKED | |
| NOTE BOOK | |
| NO. | |
| AREAS | |
| CHECKED | |

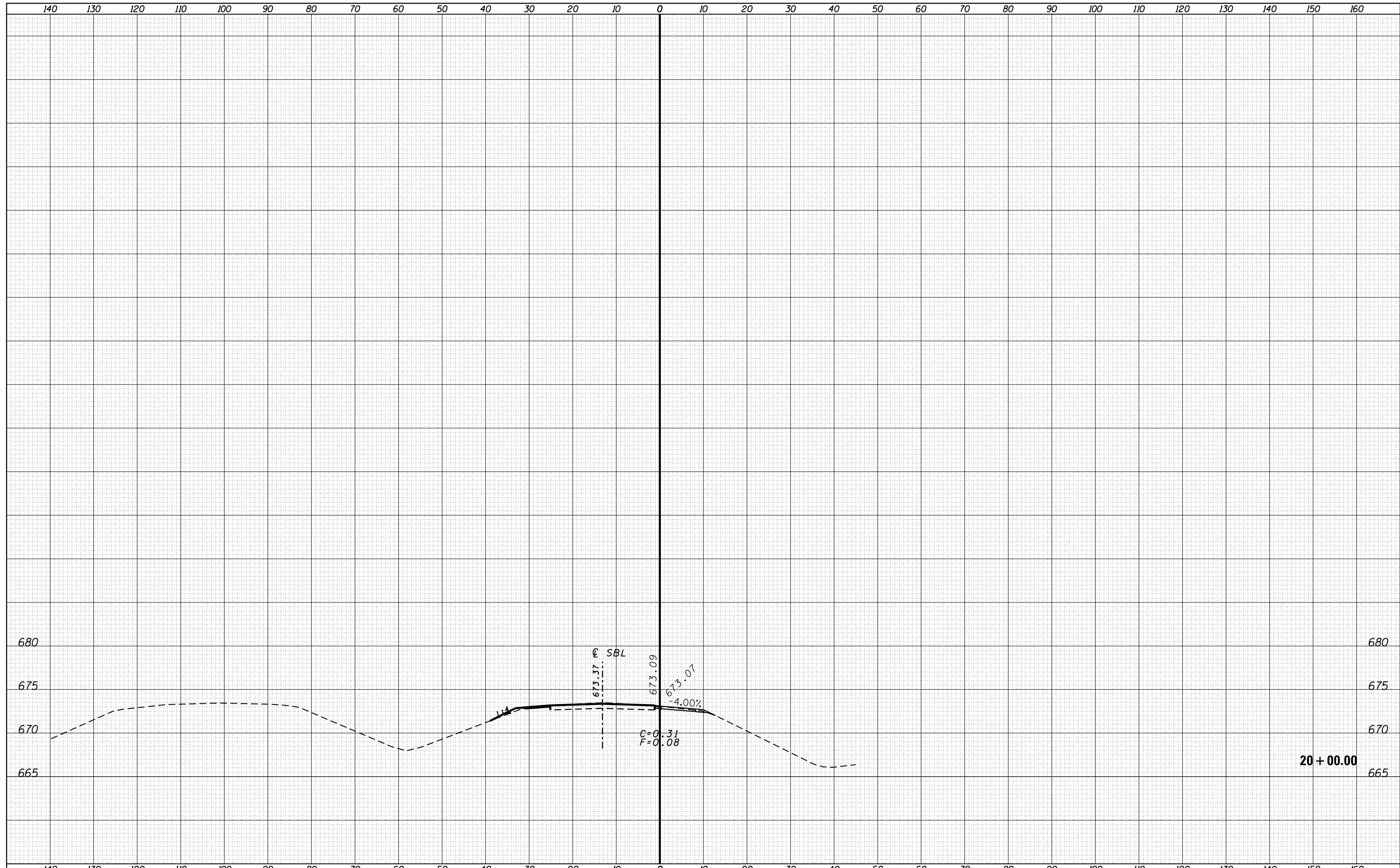
| | |
|-----------------|--|
| DATE | |
| BY | |
| ORIGINAL SURVEY | |
| SURVEYED | |
| PLOTTED | |
| TEMPLATE | |
| AREAS | |
| CHECKED | |
| NOTE BOOK | |
| NO. | |
| AREAS | |
| CHECKED | |



| | | | | | | | | | | | |
|---|-----------------------------|-------------|-------------|---|---|--|--------------------|----------|---------------------------|--------------|-----------|
| FILE NAME = | USER NAME = duncanbd | DESIGNED - | REVISIONS - | STATE OF ILLINOIS DEPARTMENT OF TRANSPORTATION | CROSS SECTIONS - RAMP D | | F.A.I. RTÉ. | SECTION | COUNTY | TOTAL SHEETS | SHEET NO. |
| es:\pw_work\pwidth\duncanbd\d0319542\0366C53-xshtrmpd.dgn | DRAWN - | REVISIONS - | 57 | | | | (38-3)RS-2 | IROQUOIS | 186 | 185 | |
| Default | PLOT SCALE = 20.0000' / in. | CHECKED - | REVISIONS - | | SCALE: SHEET OF SHEETS STA. 18+50.00 TO STA. 19+50.00 | | CONTRACT NO. 66C53 | | ILLINOIS FED. AID PROJECT | | |
| | PLOT DATE = 6/10/2014 | DATE - | REVISIONS - | | | | | | | | |

| | |
|----------------------------|--|
| DATE | |
| BY | |
| SURVEYED | |
| PLOTTED | |
| TEMPLATE | |
| AREAS | |
| CHECKED | |
| FINAL SURVEY NOTE BOOK NO. | |

| | |
|-------------------------------|--|
| DATE | |
| BY | |
| SURVEYED | |
| PLOTTED | |
| TEMPLATE | |
| AREAS | |
| CHECKED | |
| ORIGINAL SURVEY NOTE BOOK NO. | |



| | | | | | | | | | | | | | |
|--|-----------------------------|------------|-----------|---|--------------------------------|-------|----|-------------|---------------|--------|---------------|---|--|
| FILE NAME = | USER NAME = duncanbd | DESIGNED - | REVISÉD - | STATE OF ILLINOIS DEPARTMENT OF TRANSPORTATION | CROSS SECTIONS - RAMP D | | | F.A.I. RTÉ. | SECTION | COUNTY | TOTAL SHEETS | SHEET NO. | |
| es:\pw_work\pwidot\duncanbd\0319542\0366C53-xshtrmpd.dgn | DRAWN - | REVISÉD - | 57 | | | | | (38-3)RS-2 | IROQUOIS | 186 | 186 | | |
| Default | PLOT SCALE = 20.0000' / in. | CHECKED - | REVISÉD - | | SCALE: | SHEET | OF | SHEETS | STA. 20+00.00 | TO | STA. 20+00.00 | ILLINOIS FED. AID PROJECT CONTRACT NO. 66C53 | |
| | PLOT DATE = 6/10/2014 | DATE - | REVISÉD - | | | | | | | | | | |