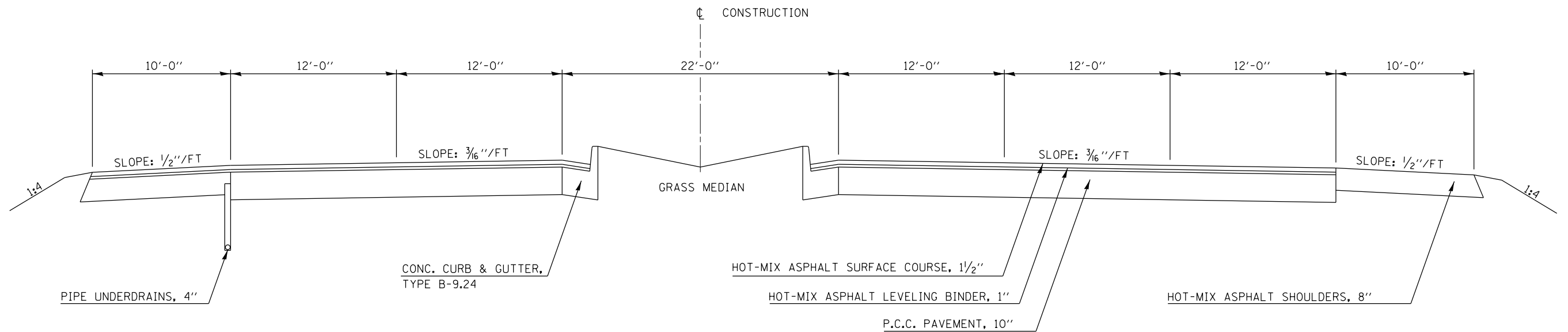


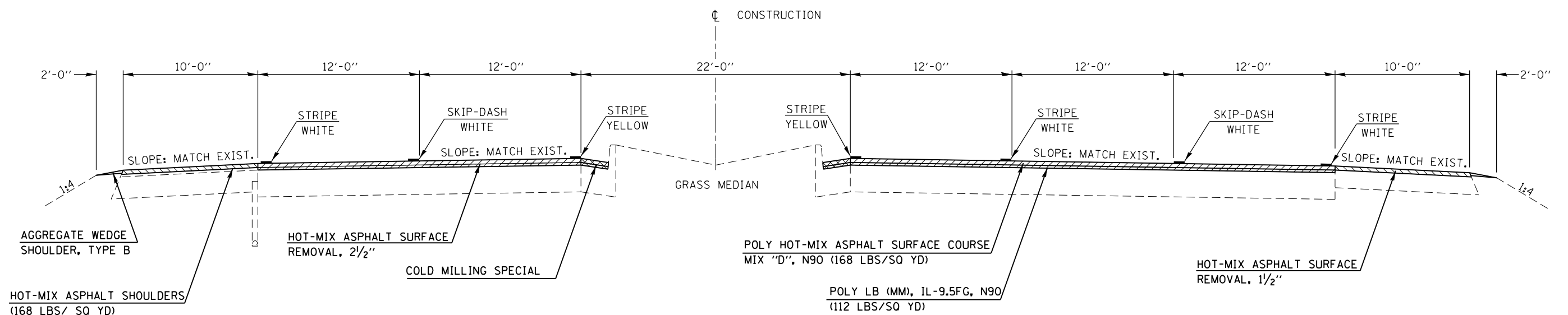
**1** EXISTING TYPICAL CROSS SECTION  
**F.A.P. 693 (IL RTE. 9)**

STATION TO STATION  
 229+62.68 231+65.06 **2**



**1** PROPOSED TYPICAL CROSS SECTION  
**F.A.P. 693 (IL RTE. 9)**

STATION TO STATION  
 229+62.68 231+65.06 **2**



FILE NAME =	USER NAME = ppersonbr	DESIGNED -	REVISED -	<b>STATE OF ILLINOIS DEPARTMENT OF TRANSPORTATION</b>	<b>TYPICAL CROSS SECTIONS</b>			F.A.P. RTE.	SECTION	COUNTY	TOTAL SHEETS	SHEET NO.
ci:\pw\work\p\dot\personbr\d0181149\0570787-sht-typical.dgn	PLOT SCALE = 40.0000' / in.	DRAWN -	REVISED -					693	(FR/RS-1)	MCLEAN	48	10
*MODELNAME#	PLOT DATE = 6/13/2014	CHECKED -	REVISED -		SCALE: SHEET 1 OF 10 SHEETS STA. TO STA.			CONTRACT NO. 70787				
		DATE -	REVISED -		ILLINOIS FED. AID PROJECT							