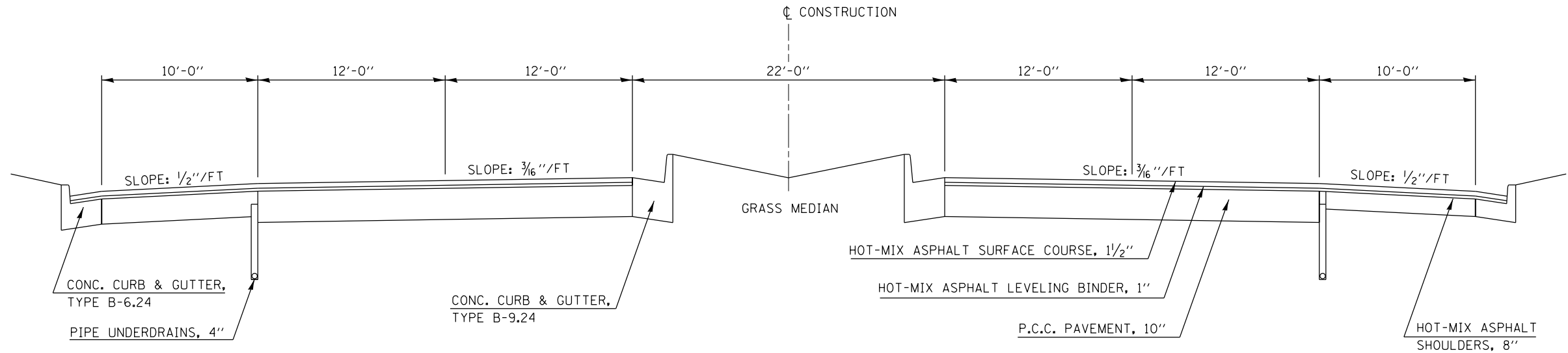


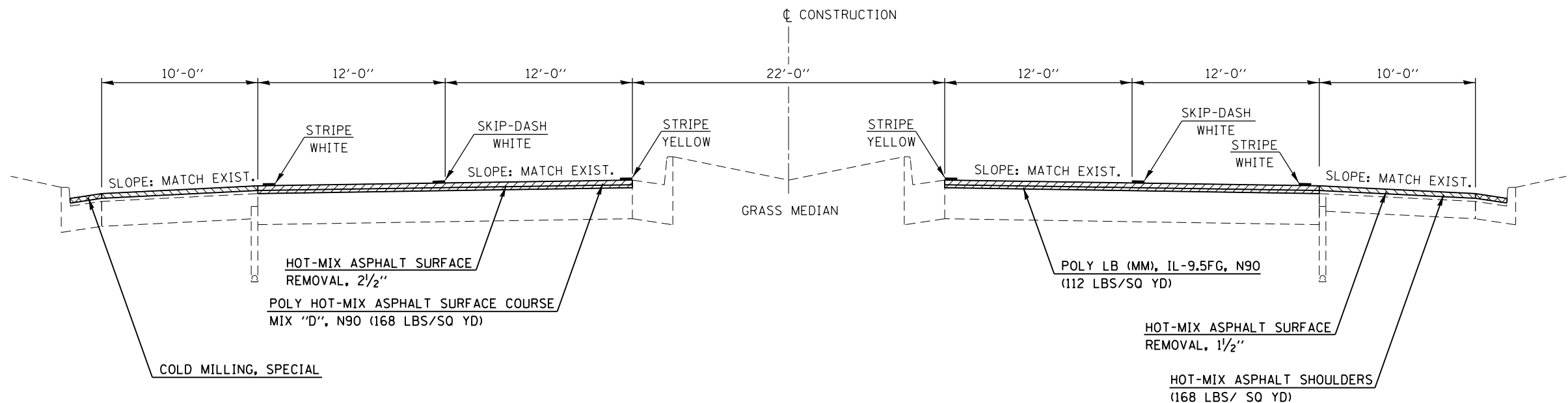
**3** EXISTING TYPICAL CROSS SECTION  
F.A.P. 693 (IL 9)

STATION 2 235+59.68 TO STATION 237+07.68 4



**3** PROPOSED TYPICAL CROSS SECTION  
F.A.P. 693 (IL 9)

STATION 2 235+59.68 TO STATION 237+07.68 4



FILE NAME =	USER NAME = ppersonbr	DESIGNED -	REVISED -	<b>STATE OF ILLINOIS DEPARTMENT OF TRANSPORTATION</b>	<b>TYPICAL CROSS SECTIONS</b>			F.A.P. RTE.	SECTION	COUNTY	TOTAL SHEETS	SHEET NO.
et:\pw\work\p\dot\personbr\d0181149\0570787-sht-typical.dgn	PLOT SCALE = 40.0000' / in.	DRAWN -	REVISED -					693	(FR)RS-1	MCLEAN	48	12
*MODELNAME#	PLOT DATE = 6/13/2014	CHECKED -	REVISED -		SCALE: SHEET 3 OF 10 SHEETS STA. TO STA.			CONTRACT NO. 70787				
		DATE -	REVISED -		ILLINOIS FED. AID PROJECT							