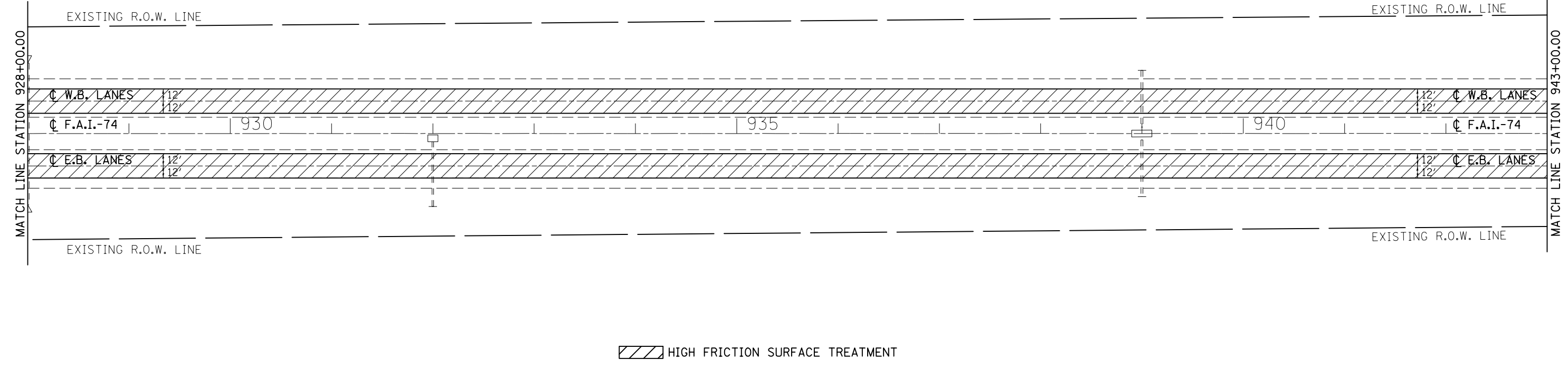
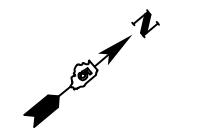


HIGH FRICTION SURFACE TREATMENT



HIGH FRICTION SURFACE TREATMENT

FILE NAME = c:\pwwork\pwwork\eeagl\eeagl\0405122\0570812-sht-plan.dgn	USER NAME = eeagl	DESIGNED -	REVISED -	<b>STATE OF ILLINOIS DEPARTMENT OF TRANSPORTATION</b>	<b>PLAN SHEET / F.A.I.-74</b>			F.A.I. RTE.	SECTION	COUNTY	TOTAL SHEETS	SHEET NO.
	PLOT SCALE = 100.0000' / in.	CHECKED -	REVISED -					74	HF SCT 2014-2	CHAMPAIGN	13	9
*MODELNAME*	PLOT DATE = 6/27/2014	DATE -	REVISED -		SCALE: 1" = 50'	SHEET 3	OF 5 SHEETS	STA. 913+00.00	TO STA. 943+00.00	CONTRACT NO. 70B12		
										ILLINOIS FED. AID PROJECT		