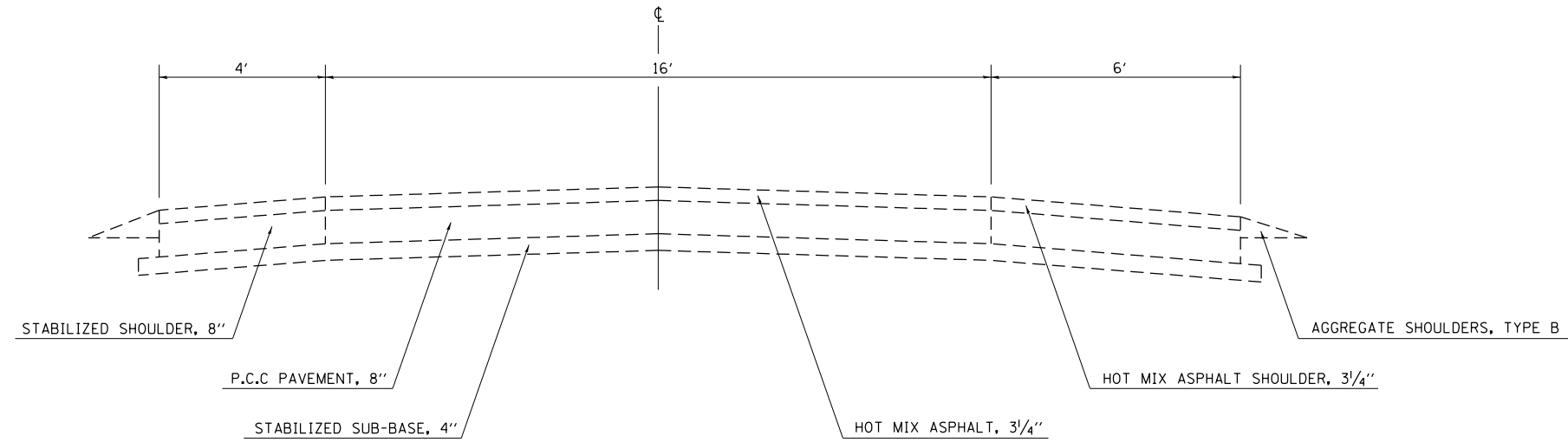


EXISTING TYPICAL CROSS SECTION

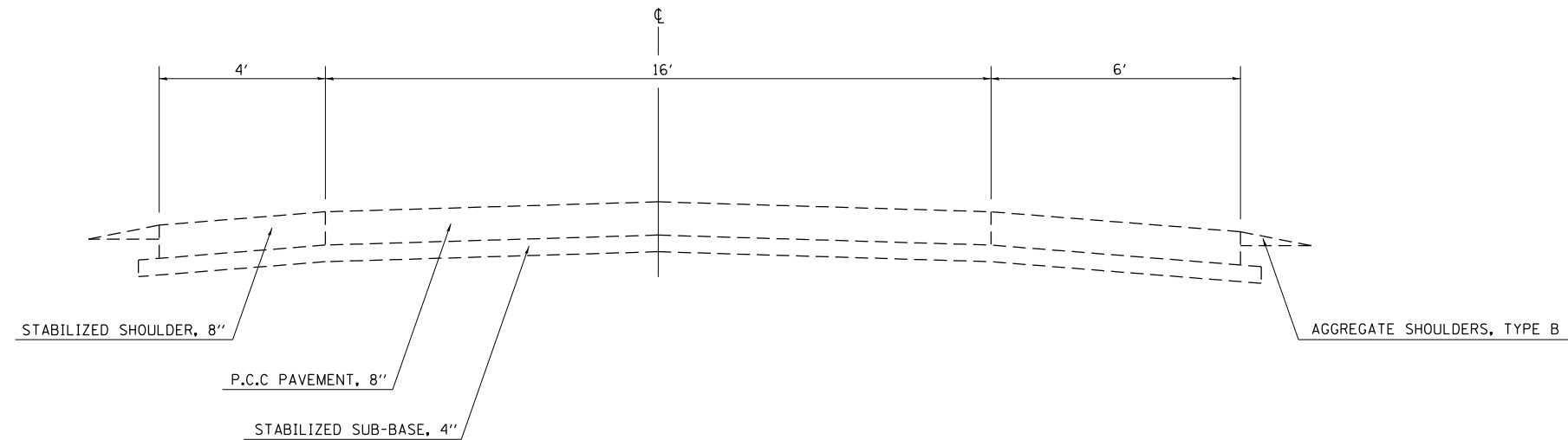
I-72 / U.S. BUS. 51 RAMPS
I-72 / IL. RTE. 48 RAMPS



NOTE: NOT TO SCALE

EXISTING TYPICAL CROSS SECTION

I-72 / C.H. 25 RAMPS



NOTE: NOT TO SCALE

FILE NAME =	USER NAME = steffenmk	DESIGNED -	REVISED -	STATE OF ILLINOIS DEPARTMENT OF TRANSPORTATION	EXISTING TYPICAL CROSS SECTIONS			F.A.I. RTE.	SECTION	COUNTY	TOTAL SHEETS	SHEET NO.	
c:\pwork\pwork\stevfenmk\d0186637\074470-sh-typical.dgn		DRAWN -	REVISED -		72	(58-64, 65)RS-1	Macon	47	8				
Default	PLOT SCALE = 100.0000' / in.	CHECKED -	REVISED -		SCALE: N/A			SHEET 2 OF 4 SHEETS		STA.	TO STA.	CONTRACT NO. 74470	
	PLOT DATE = 6/13/2014	DATE -	REVISED -		ILLINOIS FED. AID PROJECT								