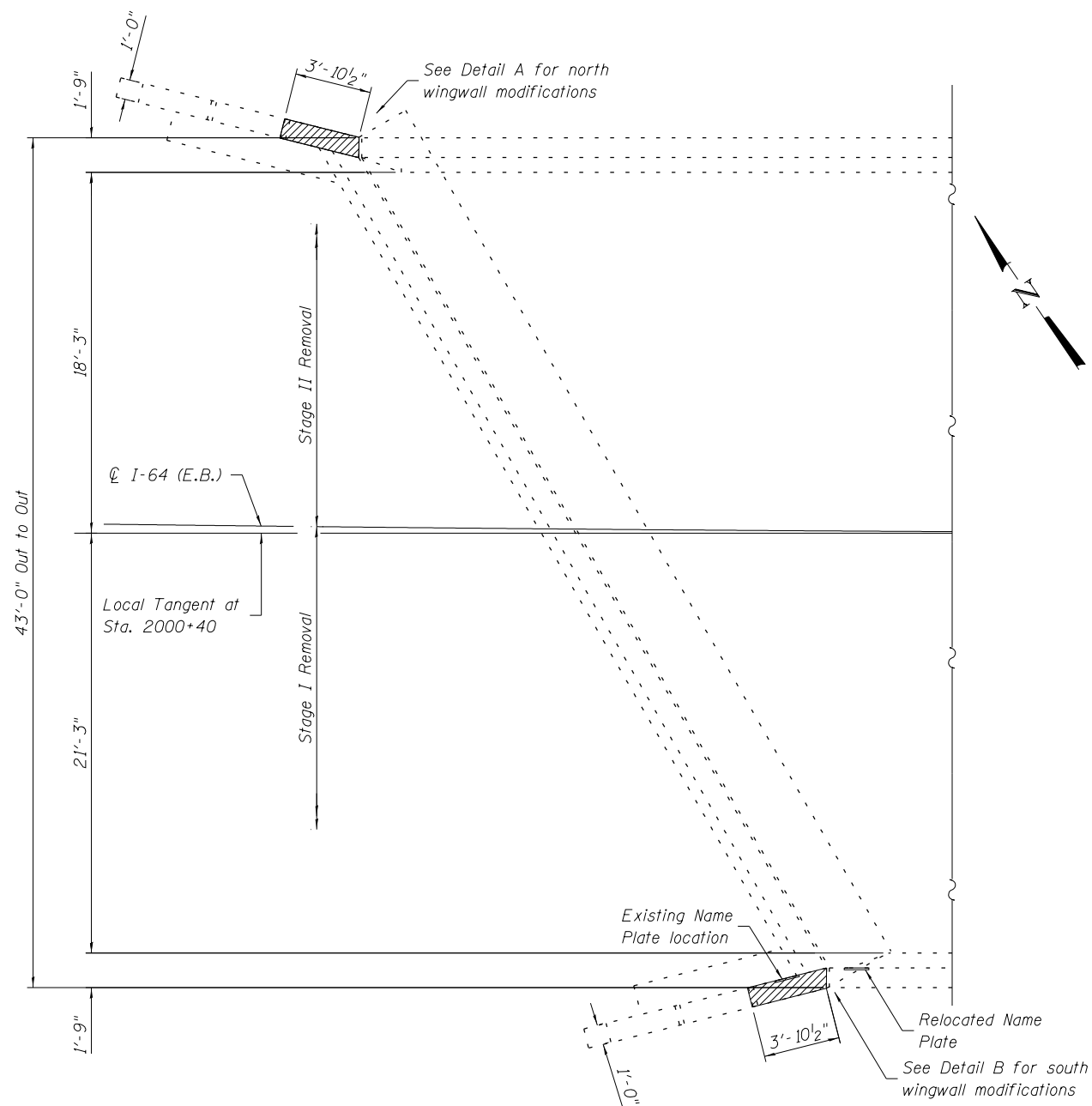


PRINT DATE: 6/11/2014 2:30:21PM Y:\2014\1-64 Bridge Repair\095-0043-0000-004-Wing Walls.dgn



REMOVAL PLAN (S.N. 095-0044)

(West Abutment)

Notes:

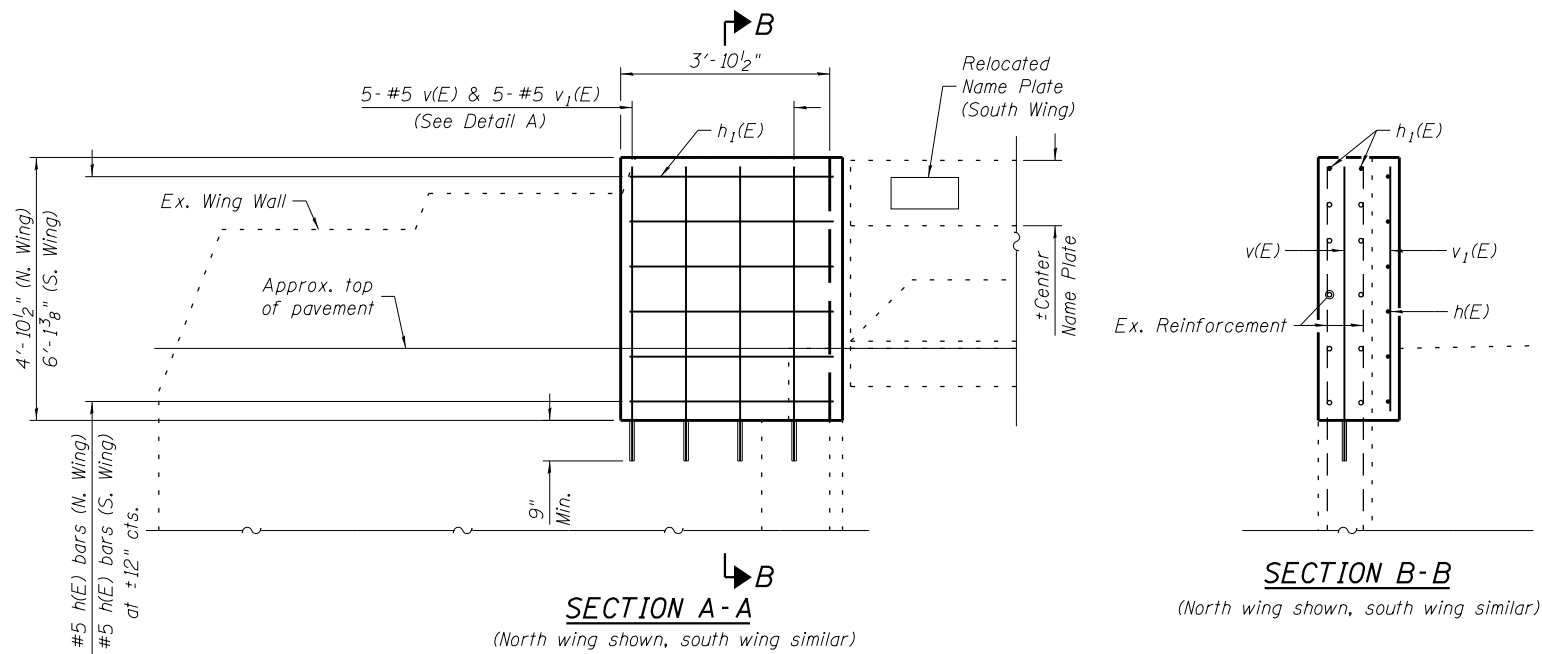
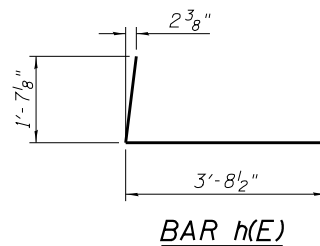
Existing reinforcement bars extending into the removal area shall be cleaned, straightened and incorporated into the new construction. Any reinforcement bars that area damaged during concrete removal shall be replaced with an approved bar splicer or anchorage system. Cost included with Concrete Removal.

Epoxy grout v(E) bars in 9" min. holes according to Article 584 of the Standard Specifications. Cost included with Concrete Superstructure.

Existing Name Plate shall be cleaned, relocated and installed flush with concrete surface. Clean and reuse existing hardware or match in-kind. Epoxy grout anchors in accordance with Article 584. Cost included with Relocating Name Plates.

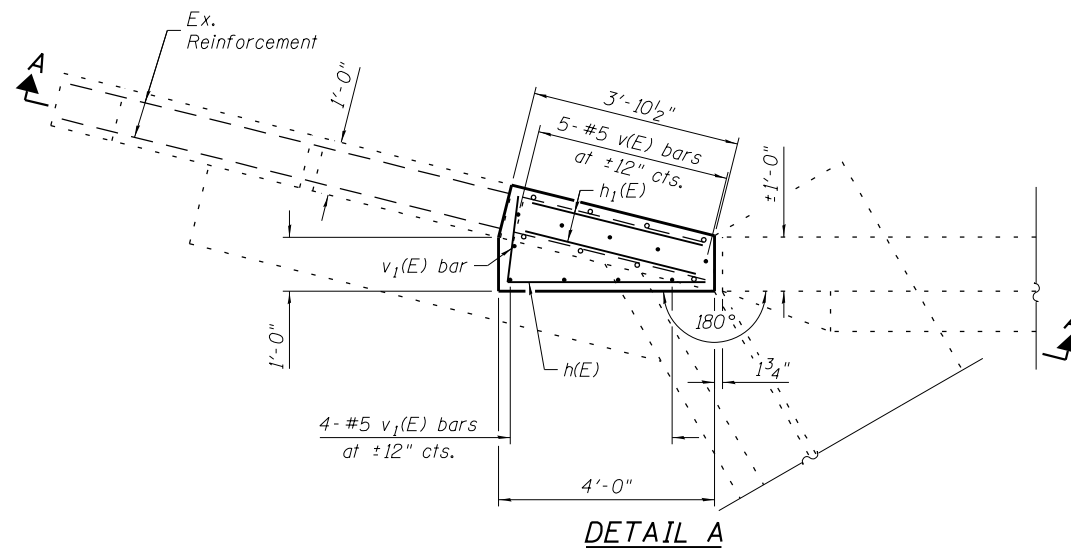
LEGEND

Concrete Removal

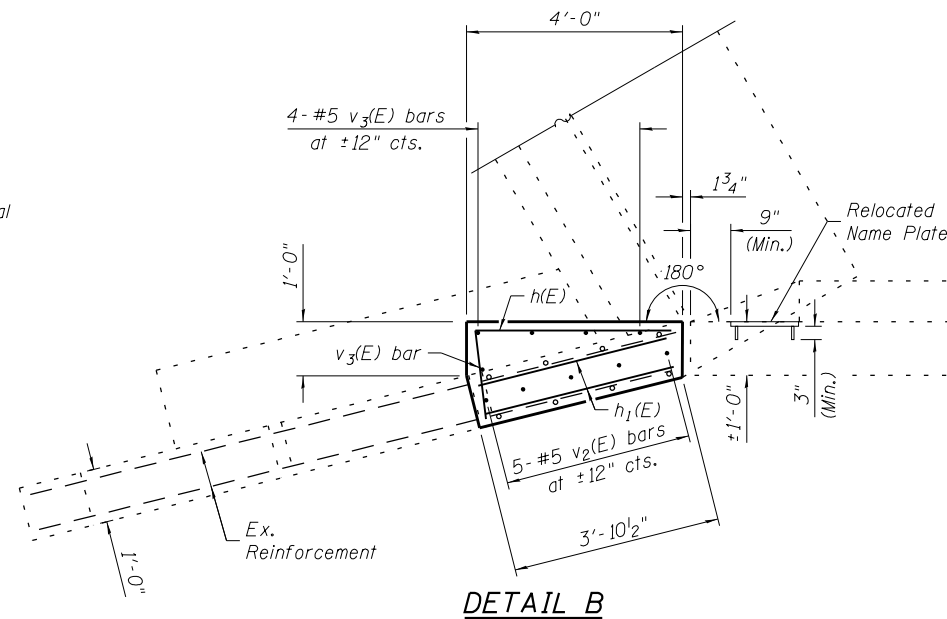


SECTION A-A

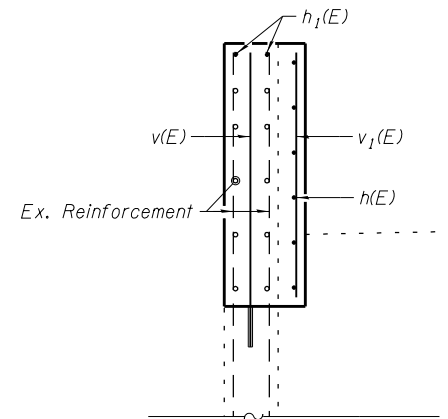
(North wing shown, south wing similar)



DETAIL A



DETAIL B



SECTION B-B

(North wing shown, south wing similar)

BILL OF MATERIAL

Bar	No.	Size	Length	Shape
h(E)	12	#5	5'-4"	
h1(E)	4	#5	3'-7"	
v(E)	5	#5	5'-5"	
v1(E)	5	#5	4'-7"	
v2(E)	5	#5	6'-8"	
v3(E)	5	#5	5'-9"	
Concrete Removal			Cu. Yd.	1.6
Concrete Superstructure			Cu. Yds.	2.4
Reinforcement Bars, Epoxy Coated			Pound	200
Relocating Name Plates			Each	1

EFK Moen, LLC
Civil Engineering Design
303 Fountains Parkway, Suite 240
Fairview Heights, IL 62208
Phone 618-206-4250

USER NAME = cdl	DESIGNED - CDL	REVISED -
PLOT SCALE = 0.2" = 1'-0"	CHECKED - CTW	REVISED -
PLOT DATE = 6/11/2014	DRAWN - JA	REVISED -
	DATE - 6/11/2014	REVISED -

STATE OF ILLINOIS
DEPARTMENT OF TRANSPORTATION

WINGWALL MODIFICATION
STRUCTURE NO. 095-0044 (EB)

SHEET NO. 4 OF 7 SHEETS

F.A.I. RTE.	SECTION	COUNTY	TOTAL SHEETS	SHEET NO.
64	95-1(2)RS-1	WASHINGTON	126	112
CONTRACT NO. 76D20				

ILLINOIS FED. AID PROJECT