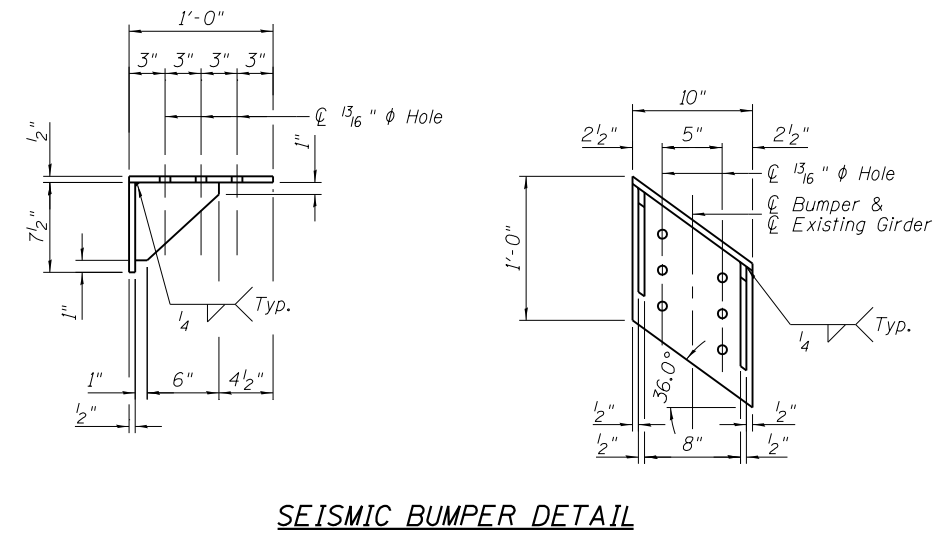
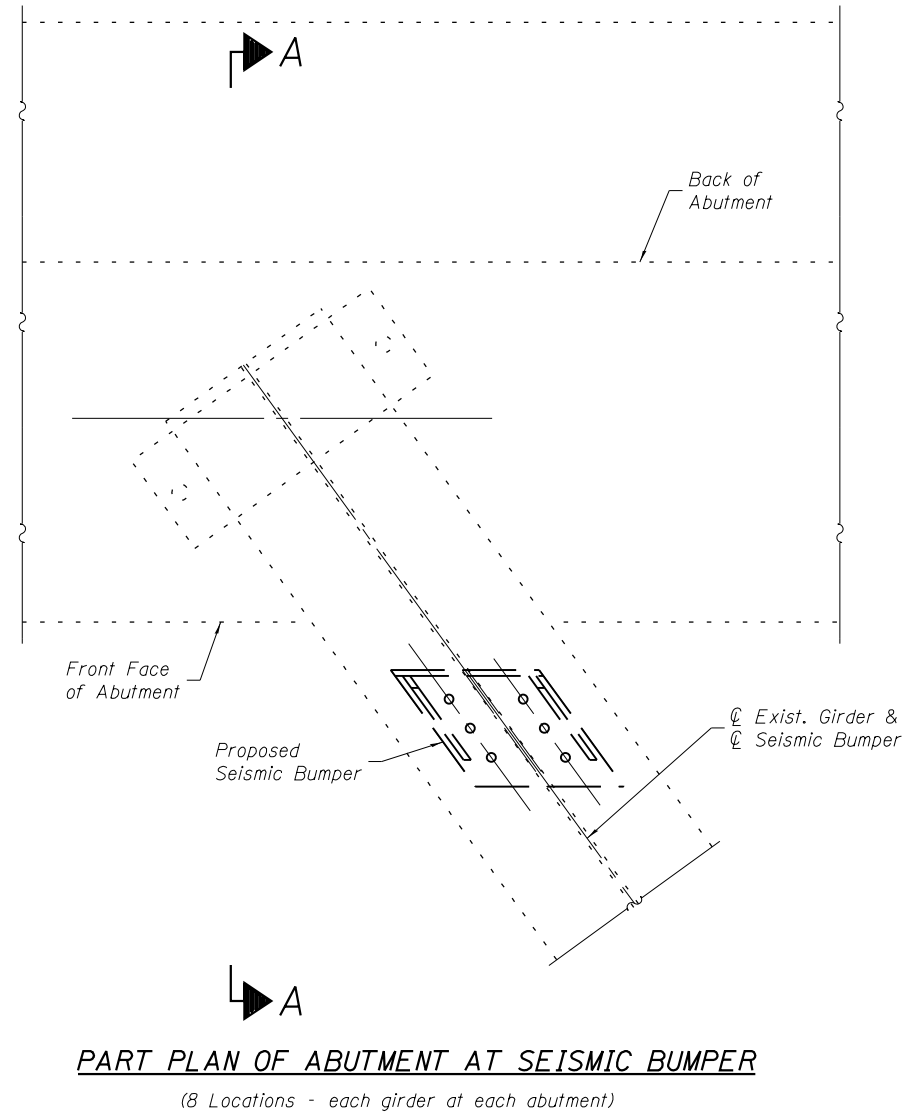
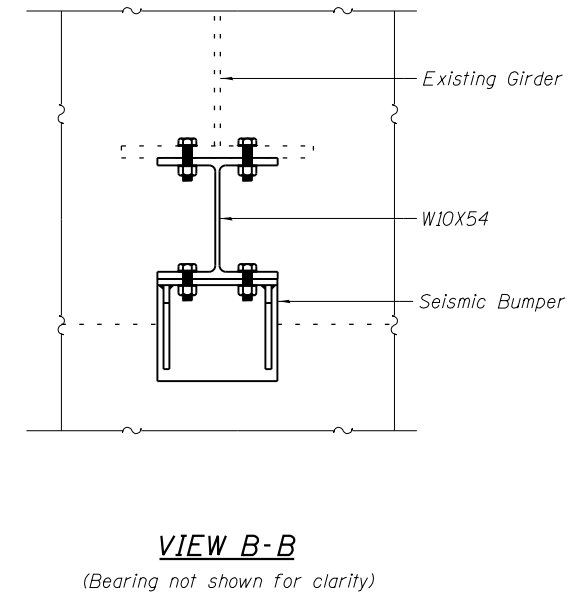
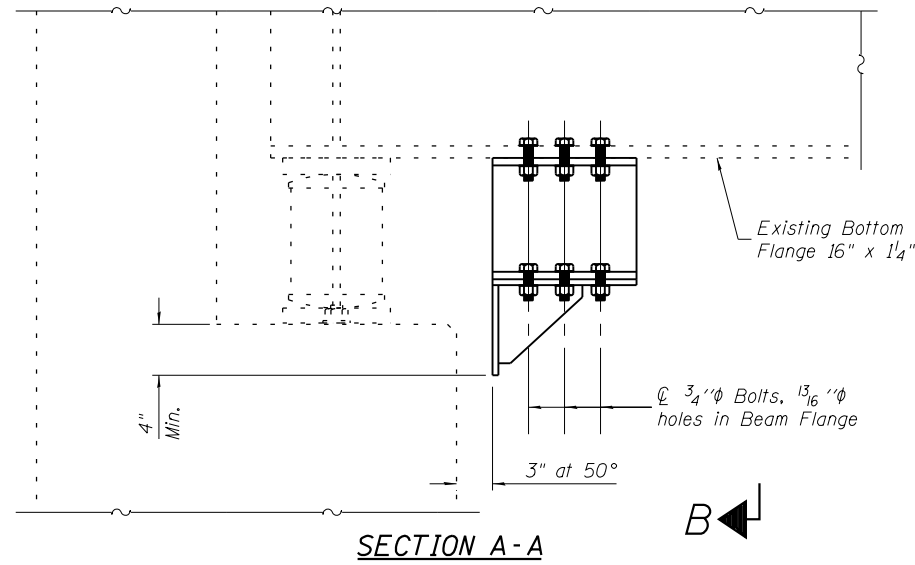


PRINT DATE: 6/11/2014 2:30:35 PM Y:\2014\1-64 Bridge Repair\DCN\Bridge\Final\Plotsheets\095-0045\0950045-00000-003-Details.dgn



Note:
 New steel and connection bolts are included in Structural Steel Repair.
 Two hardened washers required for each set of oversized holes.
 Cost of drilling holes in bottom flange of existing girders shall be included in Structural Steel Repair.
 Seismic bumper shall be installed parallel to front face of abutment.

BILL OF MATERIAL

Item	Unit	Total
Structural Steel Repair	Pound	820

EFK•Moen, LLC
 Civil Engineering Design
 303 Fountains Parkway, Suite 240
 Fairview Heights, IL 62208
 Phone 618-206-4250

USER NAME = cdl	DESIGNED - CDL	REVISED -
PLOT SCALE = 0.2" = 1' / in.	CHECKED - CTW	REVISED -
PLOT DATE = 6/11/2014	DRAWN - JA	REVISED -
	DATE - 6/11/2014	REVISED -

STATE OF ILLINOIS
DEPARTMENT OF TRANSPORTATION

DETAILS
STRUCTURE NO. 095-0045

SHEET NO. 3 OF 3 SHEETS

F.A.I. RTE. 64	SECTION 95-1(2)RS-1	COUNTY WASHINGTON	TOTAL SHEETS 126	SHEET NO. 118
			CONTRACT NO. 76D20	
ILLINOIS FED. AID PROJECT				