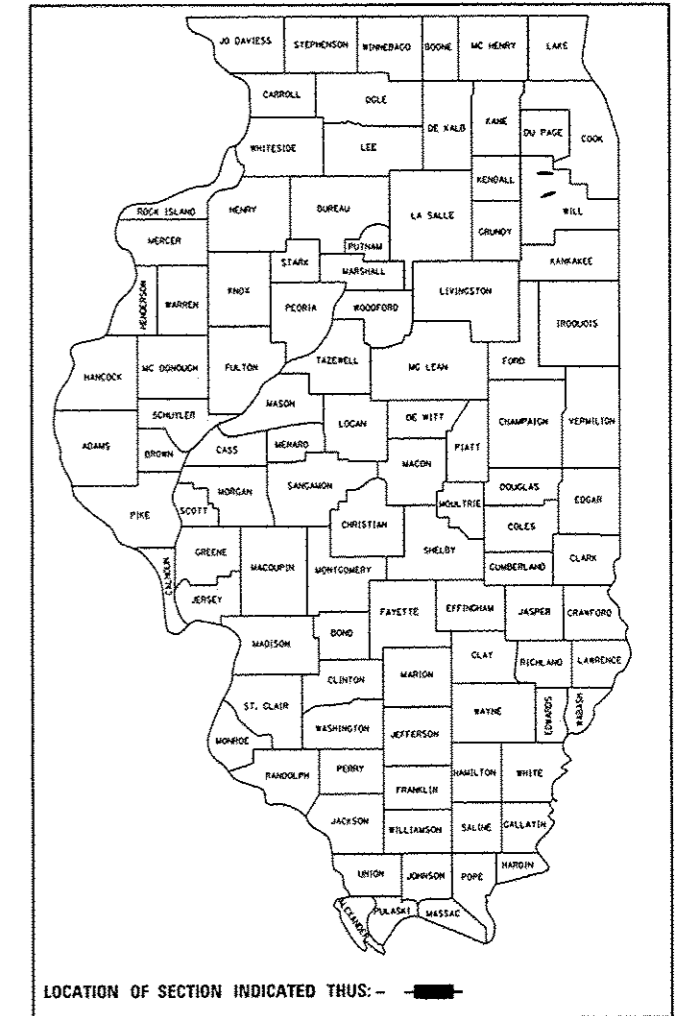


STATE OF ILLINOIS
DEPARTMENT OF TRANSPORTATION
DIVISION OF HIGHWAYS

F.A.P. RTE.	SECTION	COUNTY	TOTAL SHEETS	SHEET NO.
*	2015-057BP	WILL	11	1
		ILLINOIS	CONTRACT NO. 62B19	

* 1) 846 2) 607

D-91-397-15



FOR INDEX OF SHEETS, SEE SHEET NO. 2

IMPROVEMENTS ARE LOCATED IN
1) THE CITY OF WILMINGTON
AND
2) THE VILLAGE OF SHOREWOOD.

1) F.A.P. ROUTE 846: IL 53 (BALTIMORE AVE) (SN 099-0272)
OVER KANKAKEE RIVER

2) F.A.P. ROUTE 607: US 52 (JEFFERSON ST) (SN 099-0276)
OVER DUPAGE RIVER

SECTION 2015-057BP
BRIDGE PAINTING
WILL COUNTY

C-91-397-15

SEE SHEET # 4 FOR LOCATION MAPS.

TRAFFIC DATA

IL 53:

2014 ADT = 12700

POSTED SPEED LIMIT = 30-35 MPH

US 52:

2014 ADT = 13050

POSTED SPEED LIMIT = 35-40 MPH

J.U.L.I.E.
JOINT UTILITY LOCATION INFORMATION FOR EXCAVATION
1-800-892-0123
OR 811

PROJECT ENGINEER: MIDY, J. ALAIN (847) 221-3056
PROJECT MANAGER: ISSAM RAYYAN (847) 705-4178

CONTRACT NO. 62B19

STATE OF ILLINOIS
DEPARTMENT OF TRANSPORTATION
DIVISION OF HIGHWAYS

SUBMITTED July 1 20 15

John F. ...
DEPUTY DIRECTOR OF HIGHWAYS, REGION ENGINEER

Aug 14 20 15
John D. Baranzelli, P.E.
ENGINEER OF DESIGN AND ENVIRONMENT

Aug 14 20 15
Osman ...
DIRECTOR OF HIGHWAYS, CHIEF ENGINEER

PRINTED BY THE AUTHORITY
OF THE STATE OF ILLINOIS

INDEX OF SHEETS

SHEET NO.	DESCRIPTION
1.	TITLE SHEET
2.	INDEX OF SHEETS AND GENERAL NOTES
3.	SUMMARY OF QUANTITIES
4.	LOCATION MAPS. SN 099-0272 & 099-0276
5-6.	BRIDGE DETAILS SN 099-0272
7-8	BRIDGE DETAILS SN 099-0276.
11.	TRAFFIC CONTROL AND PROTECTION FOR SIDE ROADS, INTERSECTIONS, AND DRIVEWAYS (TC-10).
12.	ARTERIAL ROAD INFORMATION SIGN (TC-22).

GENERAL PAINT NOTES

CLEANING AND PAINTING OF THE EXISTING STRUCTURAL STEEL SHALL BE AS SPECIFIED IN THE SPECIAL PROVISION FOR "CLEANING AND PAINTING EXISTING STEEL STRUCTURES".

THE AREAS DESIGNATED SHALL BE CLEANED PER NEAR WHITE BLAST CLEANING - SSPC-SP10. THE AREAS DESIGNATED SHALL BE PAINTED ACORDING TO THE REQUIREMENTS OF PAINT SYSTEM 1 -OZ/E/U. THE COLOR OF THE FINAL FINISH COAT FOR ALL INTERIOR STEEL SURFACES SHALL BE GRAY, MUNSELL NO 5B 7/1. THE COLOR OF THE FINAL FINISH COAT FOR THE EXTERIOR AND BOTTOM FLANGE OF THE FASCIA BEAMS SHALL BE REDDISH BROWN, MUNSELL NO 2.5YR 3/4.

ALL ITEMS (SUCH AS, BUT NOT LIMITED TO: CONDUITS, BRACKETS AND DECK DRAINS) ATTACHED TO OUTSIDE OF THE FASCIA BEAMS SHOULD BE CLEANED AND PAINTED

ALL BEAMS, BEARINGS AND OTHER STRUCTURAL STEEL WITHIN FIVE (5) FT., (MEASURED ALONG THE BEAM) OF EITHER SIDE OF ALL DECK JOINTS, SHALL BE CLEANED PER NEAR WHITE BLAST CLEANING SSPC-SP10. THE EXTERIOR SURFACES AND TOP AND BOTTOM OF THE BOTTOM FLANGE OF THE FASCIA BEAMS (SEE FIGURE 1) SHALL BE CLEANED PER NEAR WHITE BLAST CLEANING SSPC-SP10.

GENERAL NOTES

BEFORE STARTING ANY EXCAVATION, THE CONTRACTOR SHALL CALL *J.U.L.I.E.* AT (800) 892-0123 OR 811 FOR FIELD LOCATIONS OF BURIED ELECTRIC, TELEPHONE AND GAS UTILITIES. 48 HOUR NOTIFICATION IS REQUIRED.

THE CONTRACTOR SHALL COORDINATE CONSTRUCTION ACTIVITIES WITH UTILITY COMPANIES, AND THE CITY OF WILMINGTON AND THE VILLAGE OF SHOREWOOD.

THE CONTRACTOR WILL NOT BE ALLOWED TO SET UP A YARD OR FIELD OFFICE ON STATE PROPERTY WITHOUT WRITTEN PERMISSION FROM THE DEPARTMENT.

PLAN DIMENSIONS AND DETAILS RELATIVE TO EXISTING PLANS ARE SUBJECT TO NOMINAL CONSTRUCTION VARIATIONS. THE CONTRACTOR SHALL FIELD VERIFY EXISTING DIMENSIONS AND MAKE NECESSARY APPROVED ADJUSTMENTS PRIOR TO ORDERING OF MATERIALS. SUCH VARIATIONS SHALL NOT BE CAUSE FOR ADDITIONAL COMPENSATION FOR A CHANGE IN SCOPE OF THE WORK. HOWEVER, THE CONTRACTOR WILL BE PAID FOR THE QUANTITY ACTUALLY FURNISHED BASED AT THE UNIT PRICE BID FOR THE WORK.

THE CONTRACTOR SHALL CONTACT THE DISTRICT ONE ARTERIAL TRAFFIC CONTROL SUPERVISOR AT (847)705-4470 A MINIMUM OF 72 HOURS IN ADVANCE OF BEGINNING WORK.

THESE PLANS HAVE BEEN PREPARED FROM NOTES RECEIVED FROM THE BUREAU OF MAINTENANCE BRIDGE INSPECTORS.

DO NOT SCALE PLANS FOR CONSTRUCTION DIMENSIONS.

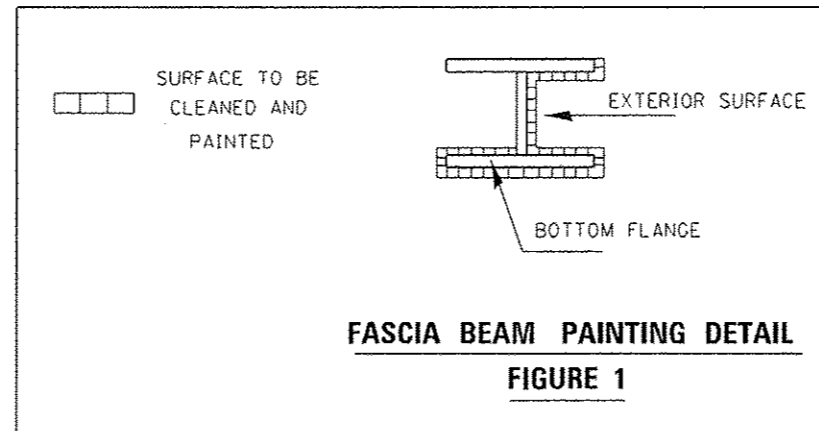
IT SHALL BE THE CONTRACTOR'S RESPONSIBILITY TO PROTECT AND PRESERVE THE EXISTING BRIDGE AT ANY LOCATIONS THAT LIGHTING IS ENCOUNTERED ADJACENT TO AN AREA TO BE CLEANED AND PAINTED.

TREE CLEARING FOR PAINTING ACCESS SHALL BE DONE ACCORDING TO ARTICLE 201.10.

THE CONTRACTOR SHALL BE REQUIRED TO PRVIDE ACCESS TO ABUTTING PROPERTY AT ALL TIMES DURING THE CONSTRUCTION OF THIS PROJECT.

STATE STANDARDS

STD NO.	DESCRIPTION
701001-02	OFF-RD OPERATIONS, 2L, 2W, MORE THAN 15' AWAY
701006-05	OFF-RD OPERATIONS, 2L, 2W, 15' TO 24" FROM PAVEMENT EDGE
701011-04	OFF-RD MOVING OPERATIONS, 2L, 2W, DAY ONLY
701101-04	OFF-RD OPERATIONS, MULTILANE, 15' TO 24" FROM PAVEMENT EDGE
701106-02	OFF-RD OPERATIONS, MULTILANE, MORE THAN 15' AWAY
701301-04	LANE CLOSURE, 2L, 2W, SHORT TIME OPERATIONS
701501-06	URBAN LANE CLOSURE, 2L, 2W UNDIVIDED
701601-09	URBAN LANE CLOSURE, MULTILANE, 1W OR 2W WITH NONTRAVERSABLE MEDIAN
701801-05	SIDEWALK, CORNER, OR CROSSWALK CLOSURE
701901-04	TRAFFIC CONTROL DEVICES



STATE OF ILLINOIS
DEPARTMENT OF TRANSPORTATION

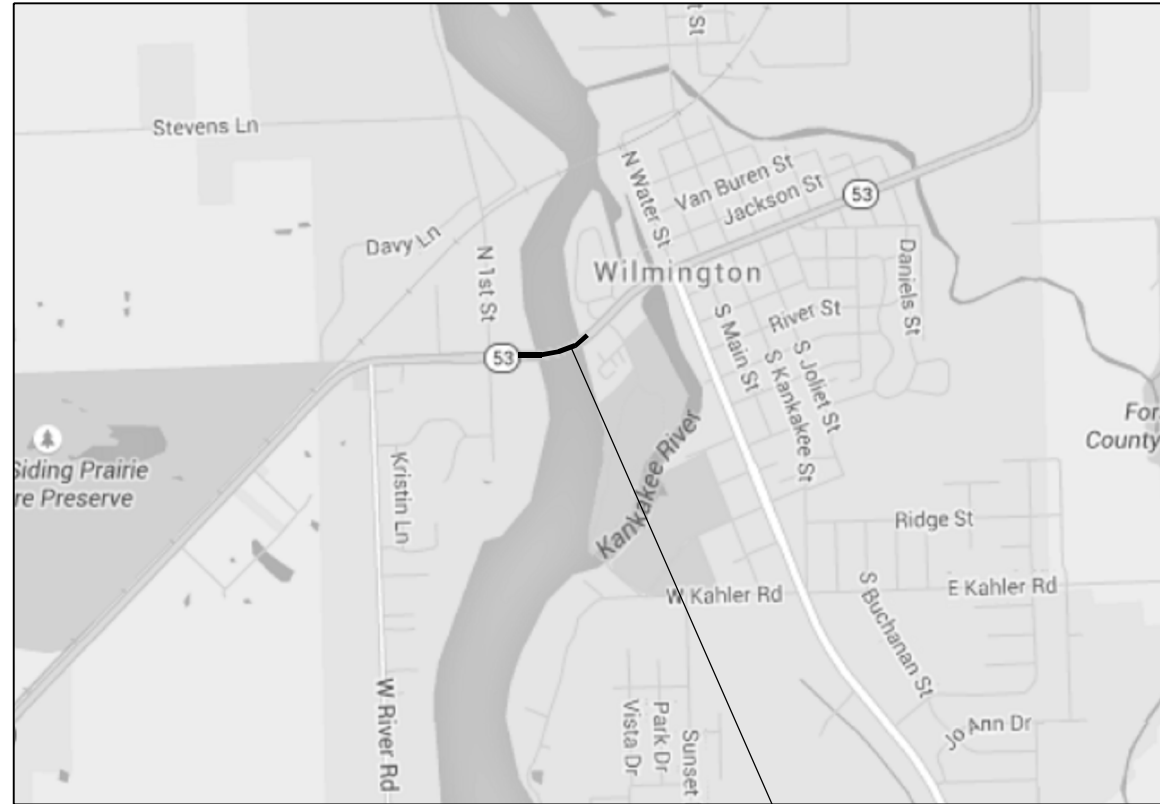
INDEX OF SHEETS, STATE STANDAR
GENERAL NOTES AND GENERAL PAINT NOTES.

* 1) 846 2) 607

FILE NAME :	USER NAME : gorengautab	DESIGNED -	REVISED -	SCALE: SHEET OF SHEETS STA. TO STA.	F.A.P. RTE. SECTION COUNTY TOTAL SHEETS SHEET NO.		
pe:\l\004EBID\INTEC\Illinois.gov\PIW\DOT\Documents\DOT Offices\District 1\Projects\01377\BRW\State\Design\0139715-shc-plan.dgn		CHECKED -	REVISED -			* 2015-0578P	WILL 11 2
PLOT SCALE : 100,0000 ' / in.		DATE -	REVISED -			CONTRACT NO. 62819	
PLOT DATE : 7/13/2015						ILLINOIS FED. AID PROJECT	

R 9 E

T 33 N

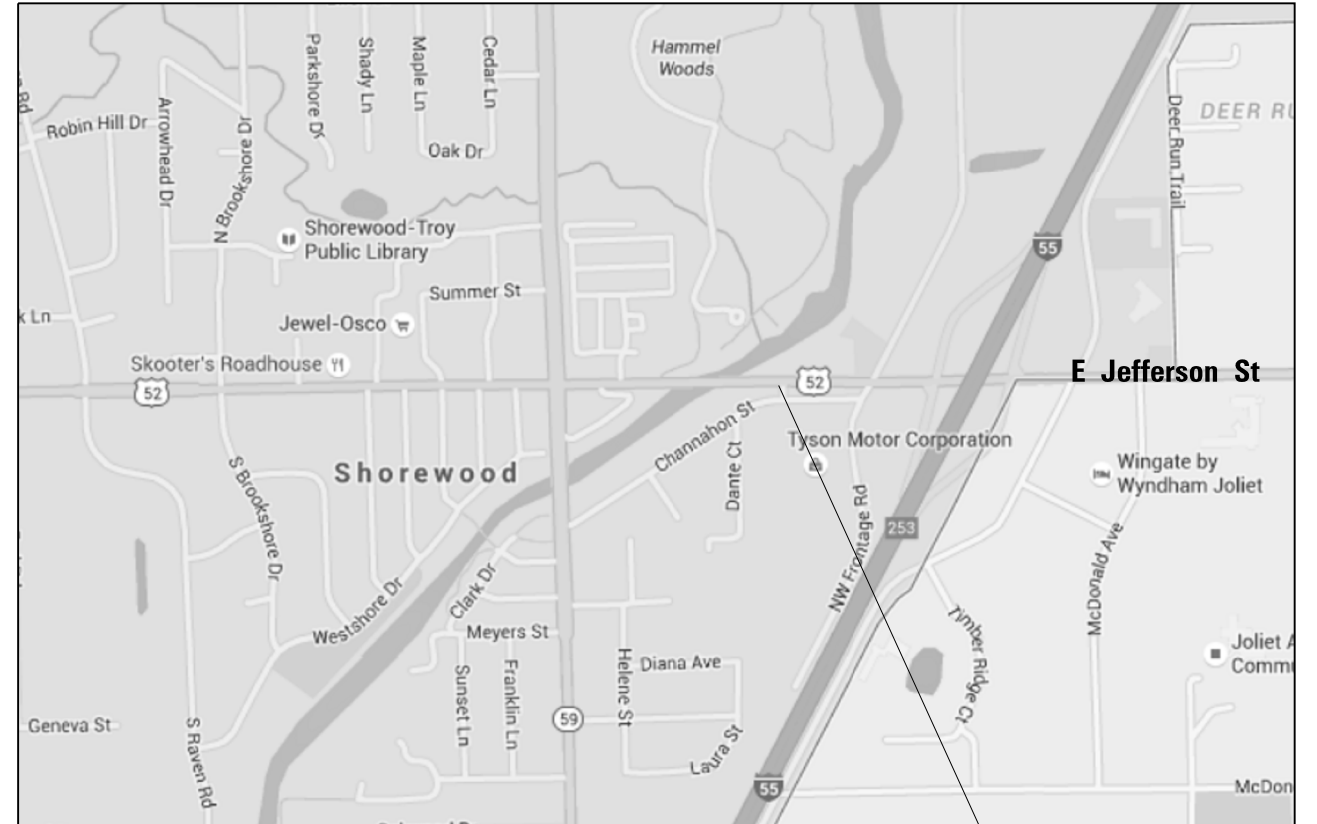


WILMINGTON TOWNSHIP

BRIDGE NO 1: SN 099-0272
 IL 53 (BALTIMORE ST)
 OVER KANKAKEE RIVER
 CITY OF WILMINGTON

R 9 E

T 35 N



TROY TOWNSHIP

BRIDGE NO 2: SN 099-0276
 US 52 (JEFFERSON ST)
 OVER DUPAGE RIVER
 VILLAGE OF SHOREWOOD

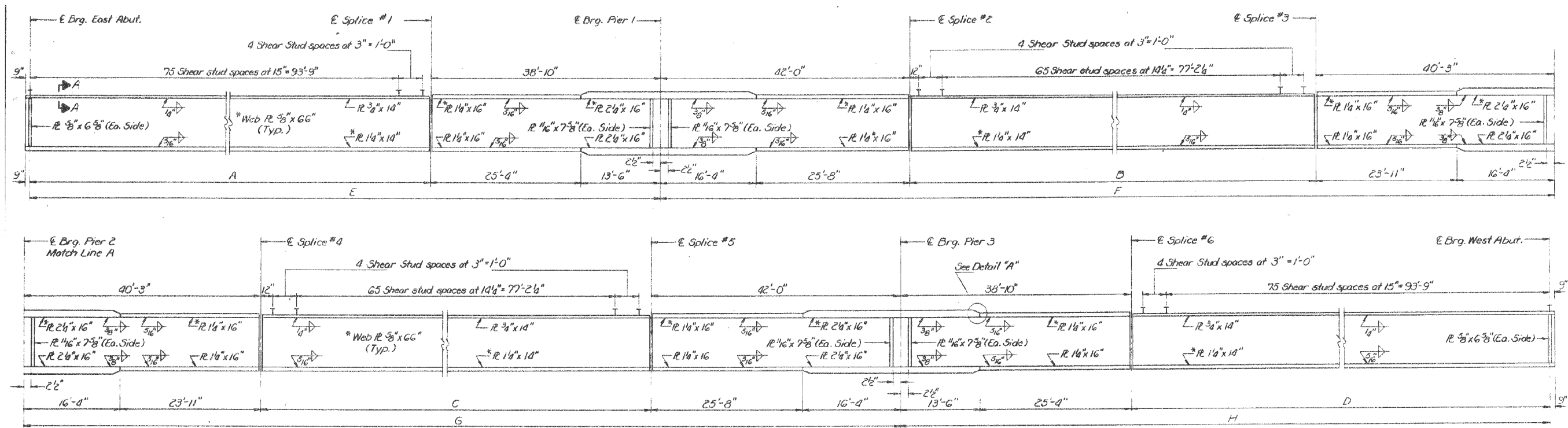
FILE NAME =	USER NAME = gorengautob	DESIGNED -	REVISED -
p:\11\084EBIDINTEG\illinois.gov\PIWIDOT\Documents\IDOT Offices\District 1\Projects\DI3975\Drawings\Design\DI39715-sh-t-pln.dgn		DRAWN -	REVISED -
Default	PLOT SCALE = 100.0000' / in.	CHECKED -	REVISED -
	PLOT DATE = 7/13/2015	DATE -	REVISED -

STATE OF ILLINOIS
 DEPARTMENT OF TRANSPORTATION

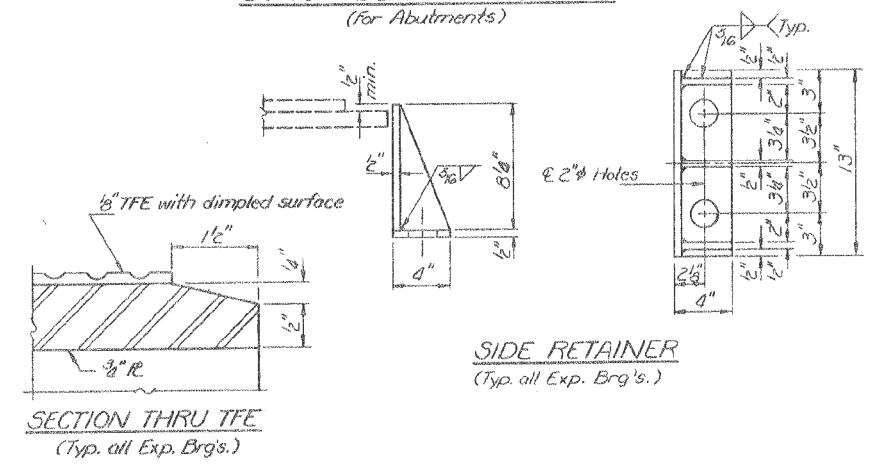
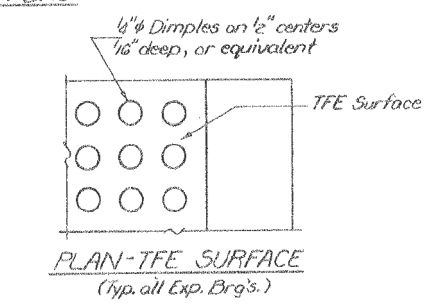
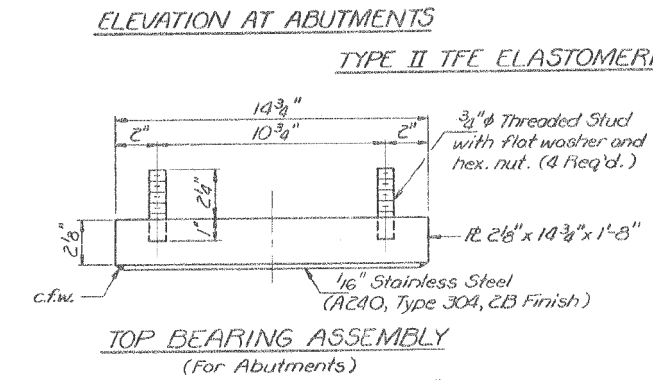
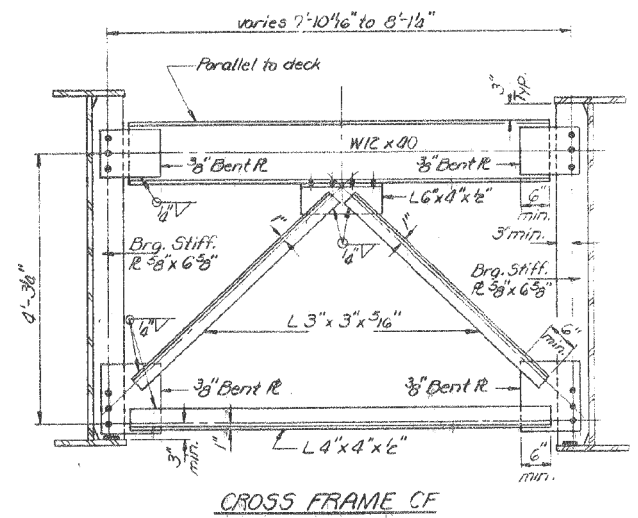
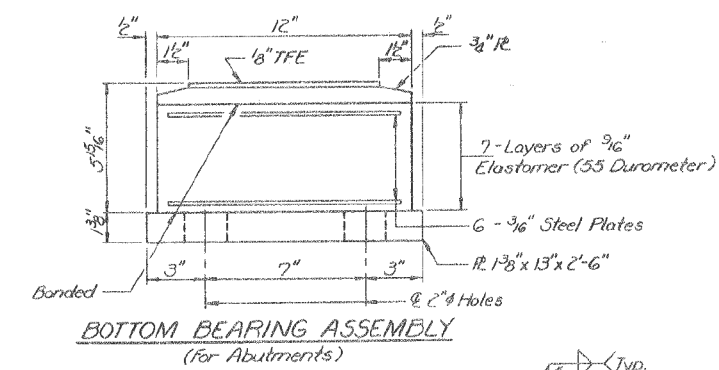
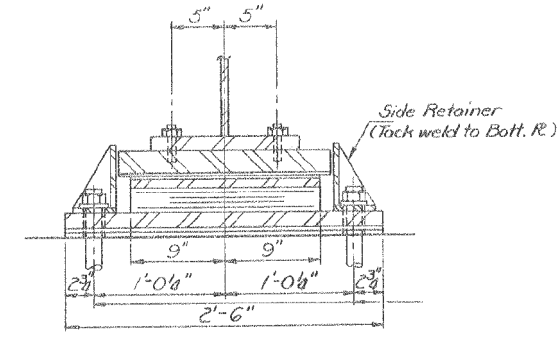
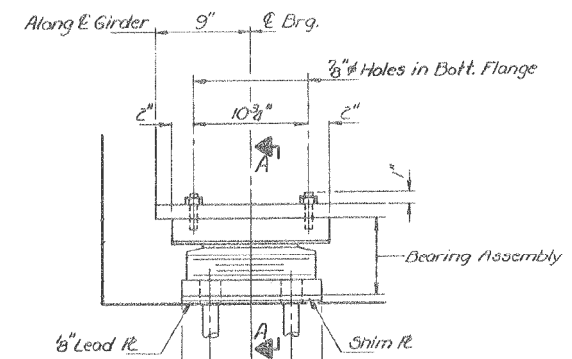
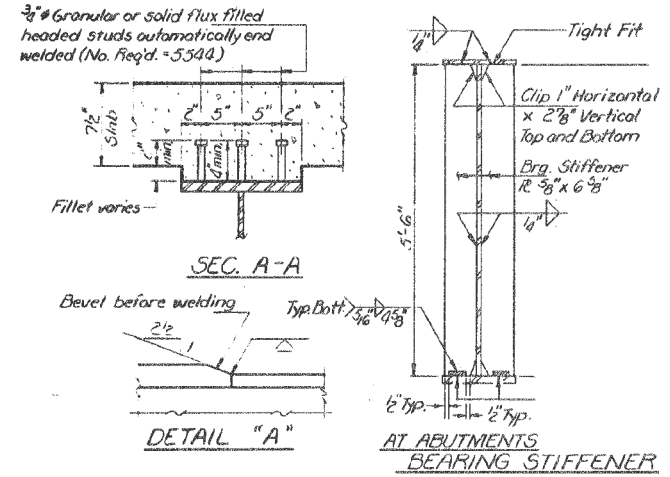
LOCATION MAPS			
1) IL53 OVER KANKAKEE RIVER (SN 099-0272) AND			
2) US 52 OVER DUPAGE RIVER (099-0276)			
SCALE:	SHEET	OF SHEETS	STA. TO STA.

• 1) 846 2) 607

F.A.P. RTE.	SECTION	COUNTY	TOTAL SHEETS	SHEET NO.
•	2015-057BP	WILL	11	4
CONTRACT NO. 62B19				
ILLINOIS FED. AID PROJECT				



GIRDER ELEVATION
All dimensions are along E Girder.
(Looking South)



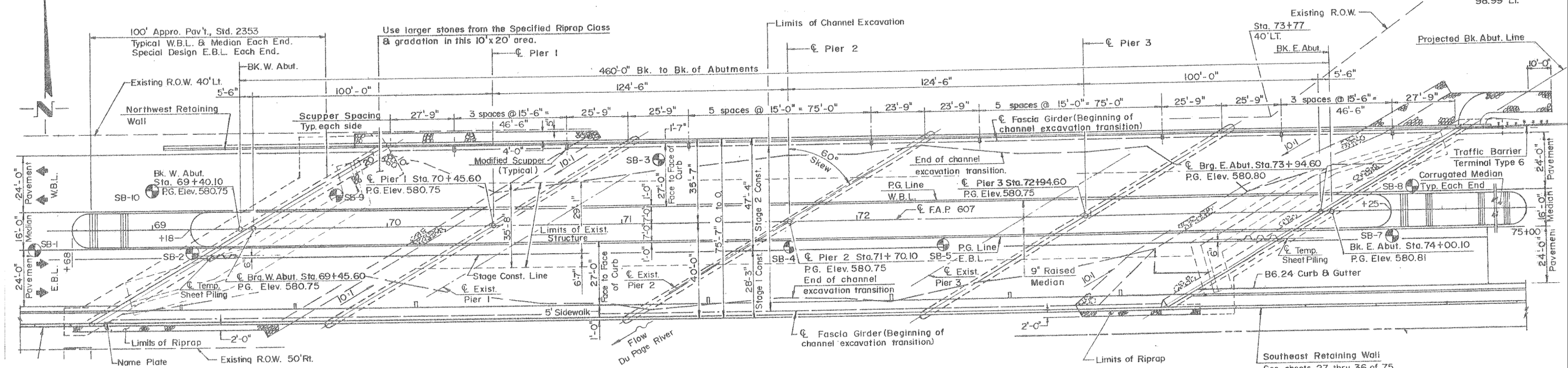
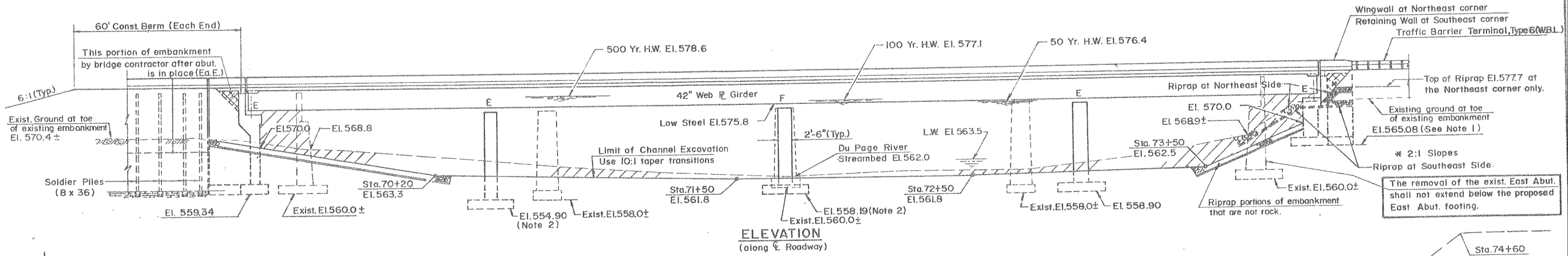
FOR INFORMATION ONLY

FILE NAME =	USER NAME = gorengautob	DESIGNED -	REVISED -
pw\1\084EBIDINTEG\illinois.gov\PIWIDOT\Documents\DOT Offices\District 1\Projects\DI397\Design\DI39715-shr-plan.dgn		DRWN -	REVISED -
Default	PLOT SCALE = 100.0000 / in.	CHECKED -	REVISED -
	PLOT DATE = 7/13/2015	DATE -	REVISED -

STATE OF ILLINOIS
DEPARTMENT OF TRANSPORTATION

STRUCTURAL STEEL DETAILS.	
IL 53 OVER KANKAKEE RIVER (SN 099-0272)	
SCALE:	SHEET OF SHEETS STA. TO STA.

• 1) 846 2) 607				
F.A.P. R.E.	SECTION	COUNTY	TOTAL SHEETS	SHEET NO.
*	2015-057BP	WILL	11	6
CONTRACT NO. 62B19				
ILLINOIS FED. AID PROJECT				

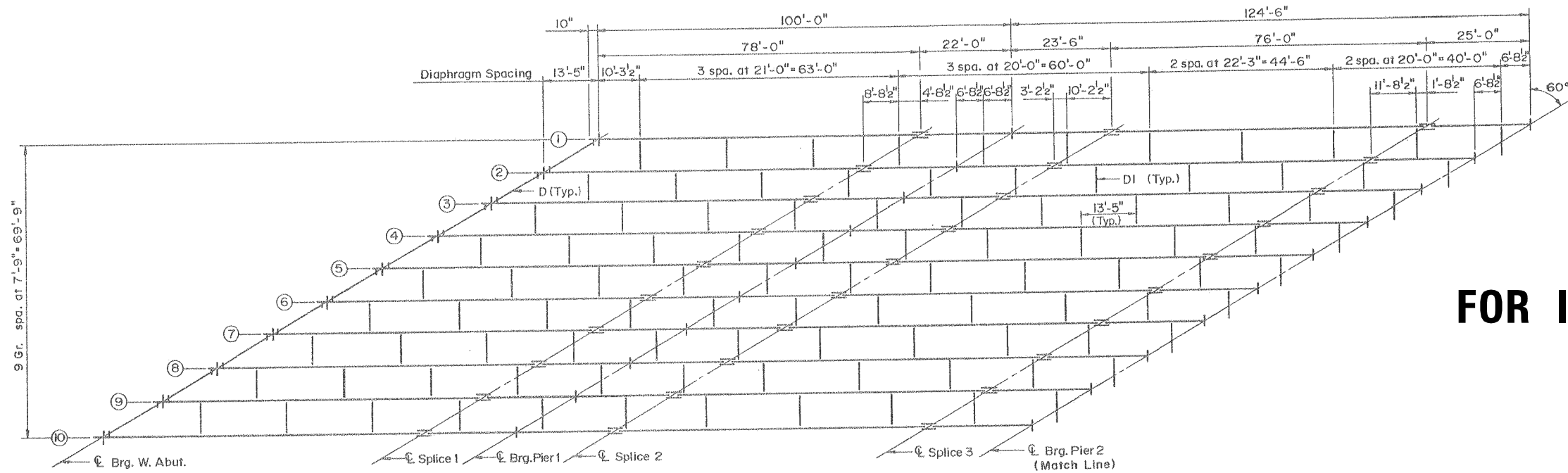


PLAN

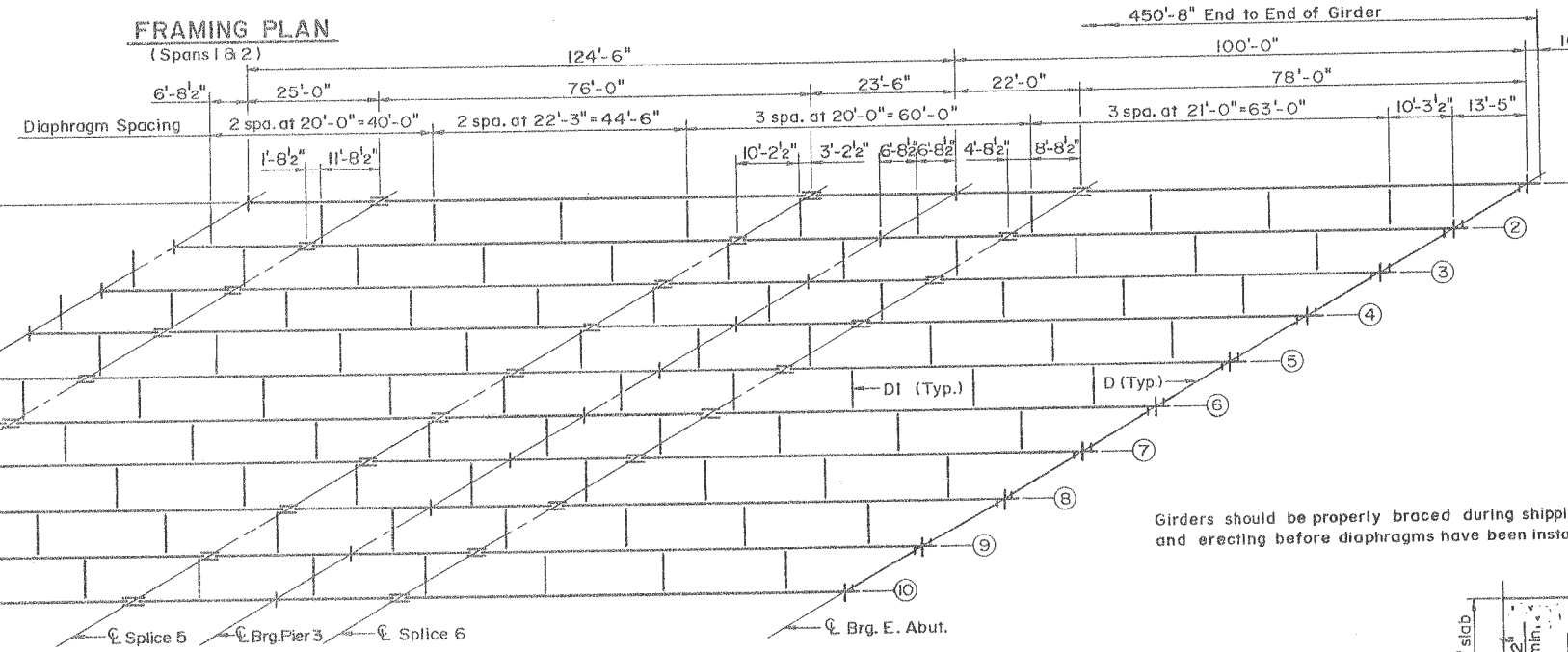
FOR INFORMATION ONLY

FILE NAME =	USER NAME = gorengautob	DESIGNED -	REVISED -	STATE OF ILLINOIS DEPARTMENT OF TRANSPORTATION	BRIDGE PLAN. US 52 OVER DUPAGE RIVER (SN 099-0276)	* 1) 846 2) 607		F.A.P. RTE.	SECTION	COUNTY	TOTAL SHEETS	SHEET NO.		
pw\11084EBIDINTEG.illinois.gov\PIWIDOT\Documents\DOT Offices\District 1\Projects\DI39715\Design\DI39715-sh1-plan.dgn		CHECKED -	REVISED -							2015-057BP	WILL	11	7	
PLOT SCALE = 100.0000' / in.		DATE -	REVISED -											CONTRACT NO. 62B19
Default														ILLINOIS FED. AID PROJECT

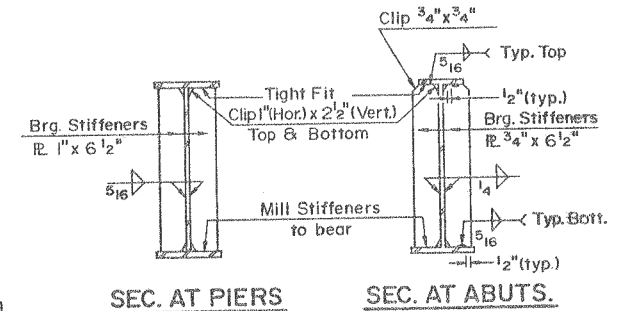
FOR INFORMATION ONLY



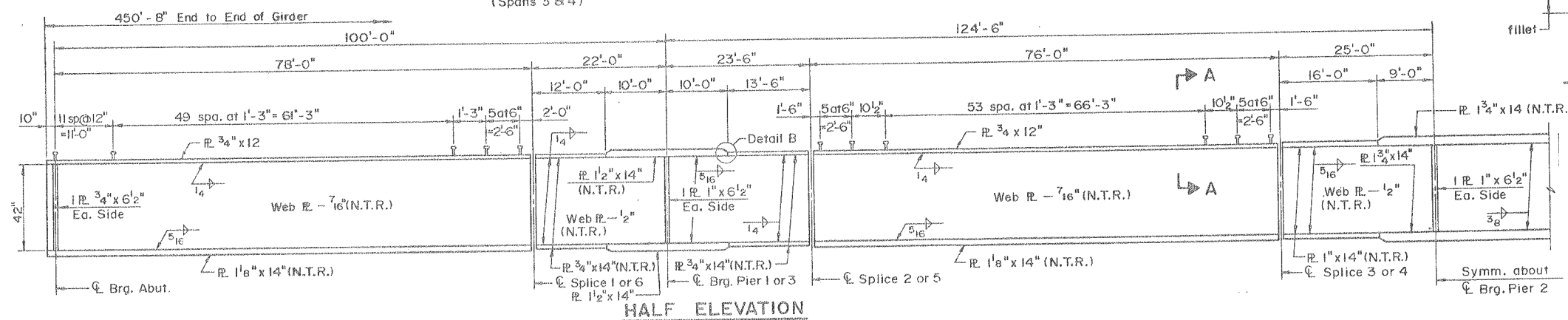
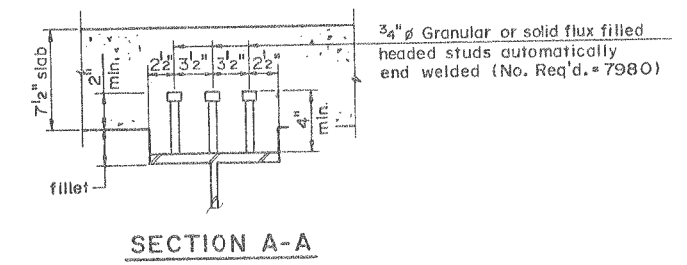
FRAMING PLAN
(Spans 1 & 2)



FRAMING PLAN
(Spans 3 & 4)

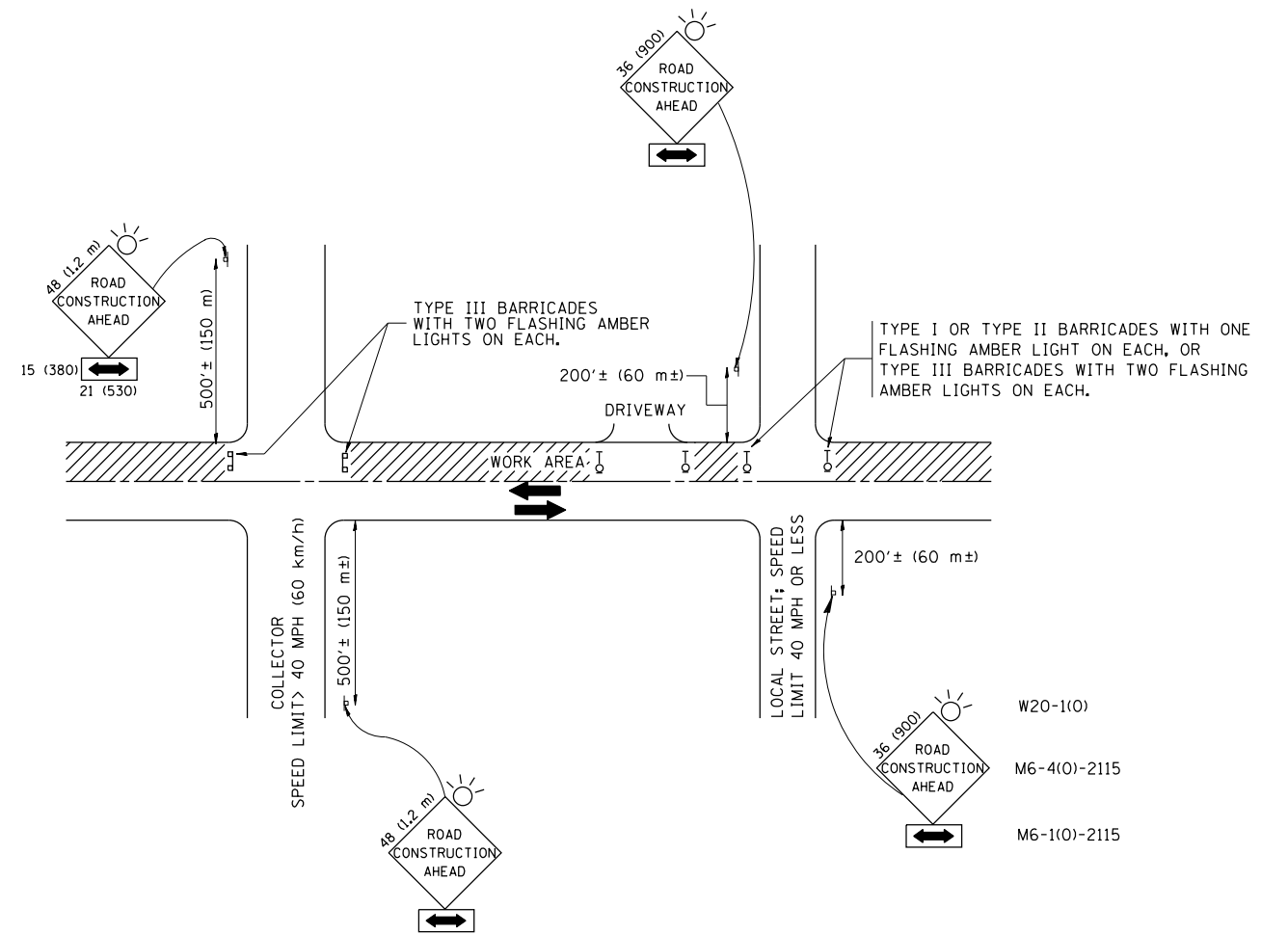


Girders should be properly braced during shipping and erecting before diaphragms have been installed.



HALF ELEVATION

FILE NAME =	USER NAME = gorengautob	DESIGNED -	REVISED -	STATE OF ILLINOIS DEPARTMENT OF TRANSPORTATION	FRAMING PLAN US 52 OVER DUPAGE RIVER (SN 099-0276)	F.A. R.T.E.	SECTION	COUNTY	TOTAL SHEETS	SHEET NO.
pw:\IL\084EBIDINTEG\illinois.gov\PWIDOT\Documents\DOT Offices\District 1\Projects\DI397\Design\DI39715-shf-plan.dgn	DRWN	CHECKED -	REVISED -			2015-057BP	WILL	11	8	
Default	PLOT SCALE = 100.0000' / in.	DATE -	REVISED -			CONTRACT NO. 62B19				
	PLOT DATE = 7/13/2015					ILLINOIS FED. AID PROJECT				



TRAFFIC CONTROL AND PROTECTION FOR SIDE ROADS, INTERSECTIONS, AND DRIVEWAYS

NOTES:

A. FOR NO LANE RESTRICTION ON THE SIDE ROAD OR DRIVEWAYS

1. SIDE ROAD WITH A SPEED LIMIT OF 40 MPH (60 km/h) OR LESS AS SHOWN ON THE DRAWING AND AS DIRECTED BY THE ENGINEER:

a) ONE ROAD CONSTRUCTION AHEAD SIGN 36 x 36 (900x900) WITH A FLASHER AND FLAG MOUNTED ON IT APPROXIMATELY 200' (60 m) IN ADVANCE OF THE MAIN ROUTE.

b) THE CLOSED PORTION OF THE MAIN ROUTE SHALL BE PROTECTED BY BLOCKING WITH TYPE I, TYPE II OR TYPE III BARRICADES, 1/3 OF THE CROSS SECTION OF THE CLOSED PORTION.

2. SIDE ROAD WITH A SPEED LIMIT GREATER THAN 40 MPH (60 km/h) AS SHOWN ON THE DRAWING AND AS DIRECTED BY THE ENGINEER:

a) ONE ROAD CONSTRUCTION AHEAD SIGN 48 x 48 (1.2 m x 1.2 m) WITH A FLASHER MOUNTED ON IT APPROXIMATELY 500' (150 m) IN ADVANCE OF THE MAIN ROUTE.

b) THE CLOSED PORTION OF THE MAIN ROUTE SHALL BE PROTECTED BY BLOCKING WITH TYPE III BARRICADES, 1/2 OF THE CROSS SECTION OF THE CLOSED PORTION.

3. WHEN THE SIDE ROAD LIES BETWEEN THE BEGINNING OF THE MAINLINE SIGNING AND THE WORK ZONE, A SINGLE HEADED ARROW (M6-1) SHALL BE USED IN LIEU OF THE DOUBLE HEADED ARROW (M6-4).

B. FOR A LANE CLOSURE ON A SIDE ROAD OR DRIVEWAY:

USE APPLICABLE PORTIONS OF THE TYPICAL APPLICATION OF TRAFFIC CONTROL DEVICES (STD. 701501, STD. 701606 OR THE APPROPRIATE STANDARD). THE SPACING OF SIGNS AND BARRICADES SHALL BE ADJUSTED FOR FIELD CONDITIONS AS DIRECTED BY THE ENGINEER. THE DIRECTIONAL ARROW SHALL BE COVERED OR REMOVED WHEN NO LONGER CONSISTENT WITH THE SIDE ROAD LANE CLOSURE.

C. ADVANCE WARNING SIGNS ARE TO BE OMITTED ON DRIVEWAY UNLESS OTHERWISE NOTED.

D. THE TRAFFIC CONTROL AND PROTECTION FOR SIDE ROADS, INTERSECTIONS, AND DRIVEWAYS SHALL BE INCIDENTAL TO THE COST OF SPECIFIED TRAFFIC CONTROL STANDARDS OR ITEMS.

All dimensions are in millimeters (inches) unless otherwise shown.
• 1) 846 2) 607

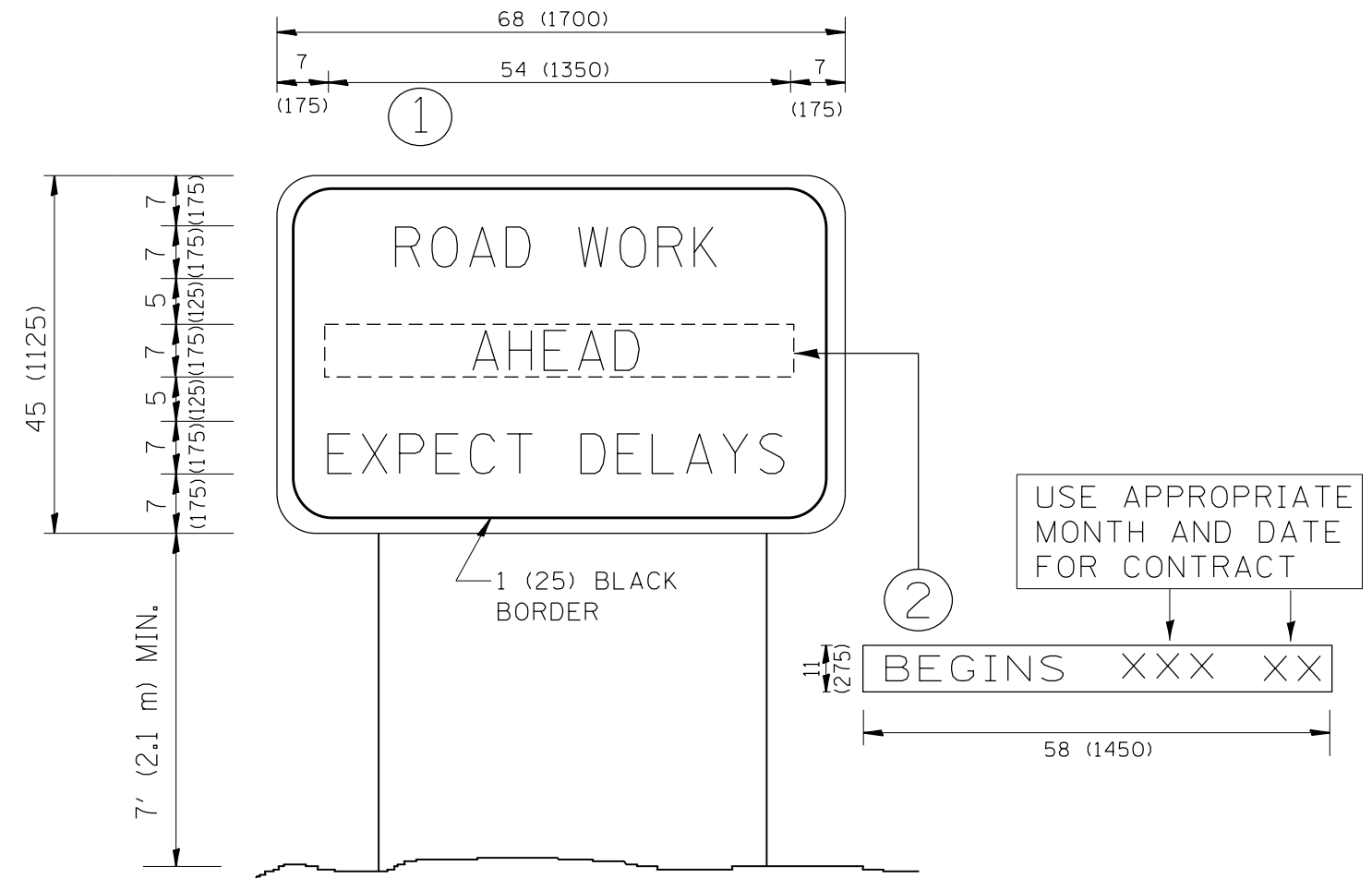
FILE NAME =	USER NAME = gorengautob	DESIGNED - LHA	REVISED - J. OBERLE 10-18-95
p:\work\084EBID\INTEG\illinois.gov\PIWIDOT\Documents\IDOT Offices\District 1\Projects\DI377\Drawings\Design\DistStd.dgn			REVISED - A. HOUSEH 03-06-96
	PLOT SCALE = 100.0000' / in.	CHECKED -	REVISED - A. HOUSEH 10-15-96
	PLOT DATE = 7/13/2015	DATE - 06-89	REVISED - T. RAMMACHER 01-06-00

STATE OF ILLINOIS
DEPARTMENT OF TRANSPORTATION

TRAFFIC CONTROL AND PROTECTION FOR
SIDE ROADS, INTERSECTIONS, AND DRIVEWAYS

SCALE: NONE SHEET NO. 1 OF 1 SHEETS STA. TO STA.

F.A.P. RTE.	SECTION	COUNTY	TOTAL SHEETS	SHEET NO.
*	2015-057BP	WILL	11	10
TC-10			CONTRACT NO. 62B19	
FED. ROAD DIST. NO. 1 ILLINOIS FED. AID PROJECT				



NOTES:

1. USE BLACK LETTERING ON ORANGE BACKGROUND.
2. ERECT SIGNS IN ADVANCE OF THE LOCATION FOR THE "ROAD CONSTRUCTION AHEAD" SIGN AT LOCATIONS AS DIRECTED BY THE ENGINEER.
3. ERECT SIGN ① WITH INSTALLED PANEL ② ONE WEEK PRIOR TO THE START OF CONSTRUCTION.
4. REMOVE PANEL ② SOON AFTER THE START OF CONSTRUCTION.
5. SEE SPECIAL PROVISION FOR "TEMPORARY INFORMATION SIGNING" FOR ADDITIONAL INFORMATION.
6. ONE SIGN ASSEMBLY EQUALS 25.70 SQ. FT. (2.3 SQ. M.)
7. SHALL BE PAID FOR AS TEMPORARY INFORMATION SIGNING.

ALL DIMENSIONS ARE IN INCHES (MILLIMETERS) UNLESS OTHERWISE SHOWN.

FILE NAME =	USER NAME = gorengautob	DESIGNED -	REVISED - R. MIRS 09-15-97
pw:\IL\084EBIDINTEG.illinois.gov\PWIDOT\Documents\DOT Offices\District 1\Projects\DI397\Drawings\Design\DistStd.dgn		CHECKED -	REVISED - R. MIRS 12-11-97
		DATE -	REVISED - T. RAMMACHER 02-02-99
			REVISED - C. JUCIUS 01-31-07

**STATE OF ILLINOIS
DEPARTMENT OF TRANSPORTATION**

**ARTERIAL ROAD
INFORMATION SIGN**

SCALE: NONE SHEET NO. 1 OF 1 SHEETS STA. TO STA.

• 1) 846 2) 607

F.A.P. RTE.	SECTION	COUNTY	TOTAL SHEETS	SHEET NO.
*	2015-057BP	WILL	11	11
TC-22			CONTRACT NO. 62B19	
FED. ROAD DIST. NO. 1 ILLINOIS FED. AID PROJECT				