

STATE OF ILLINOIS
DEPARTMENT OF TRANSPORTATION
DIVISION OF HIGHWAYS
PROPOSED
HIGHWAY PLANS

F.A.P. RTE.	SECTION	COUNTY	TOTAL SHEETS	SHEET NO.
17	104B-2	CARROLL/JACKSON	528	1
ILLINOIS			CONTRACT NO. 64G59	

FOR INDEX OF SHEETS AND STATE STANDARDS SEE SHEET NO. 2

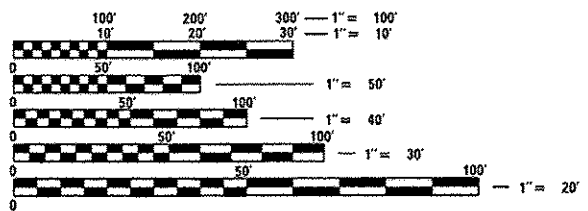
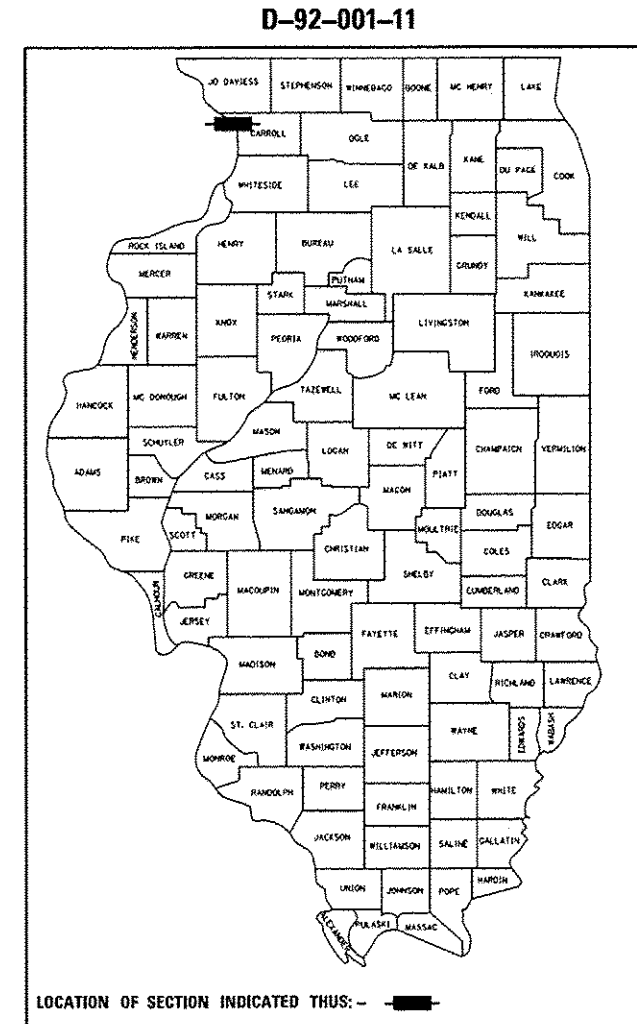
DESIGN DESIGNATION:

US 52 /IL 64
 240 (15) MINOR ARTERIAL 3.17 (HMA-20)
 DESIGN SPEED = 45 MPH
 POSTED SPEED = 40 MPH

US 52 /IL 64 /IL 84
 440 (15) OTHER PRINCIPAL ARTERIAL 3.17 (HMA-20)
 DESIGN SPEED = 55 MPH NORTH OF 716+25
 DESIGN SPEED = 45 MPH SOUTH OF 716+25
 DESIGN SPEED = 35 MPH SOUTH OF 708+00

POSTED SPEED = 55 MPH NORTH OF STA. 723+30
 POSTED SPEED = 40 MPH SOUTH OF STA. 723+30
 POSTED SPEED = 30 MPH SOUTH OF STA. 708+00

FAP ROUTE 17 (US 52 /IL 64)
SECTION 104B-2
PROJECT : ACNHPP-0017(132)
US 52 /IL 64 OVER THE MISSISSIPPI RIVER
CARROLL COUNTY, IL AND JACKSON COUNTY, IA
C-92-128-13



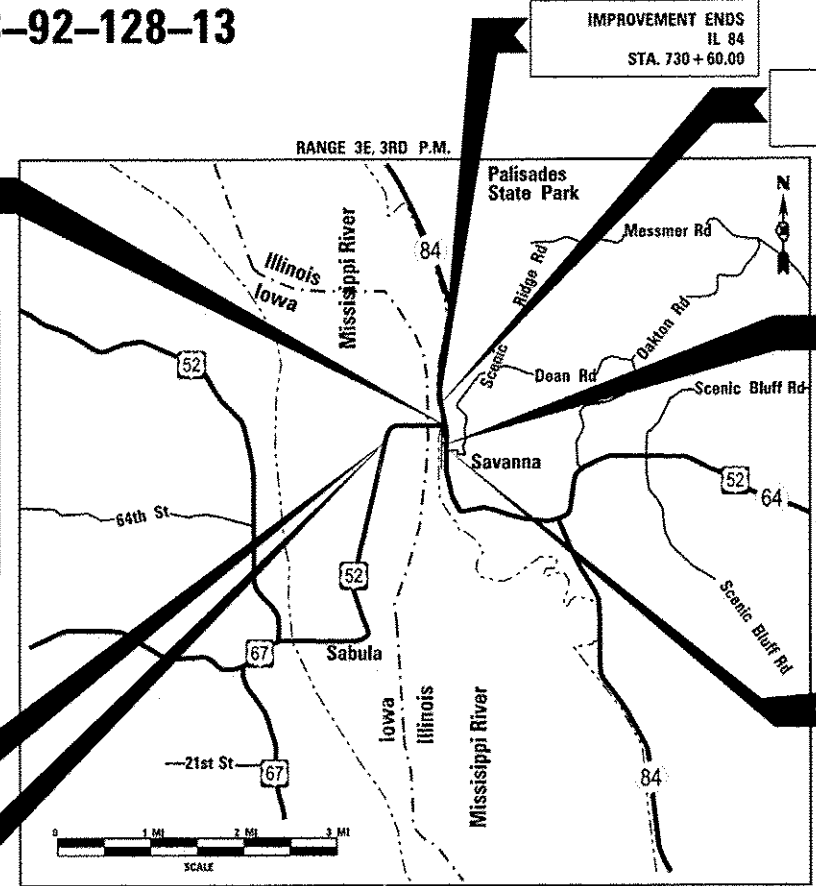
FULL SIZE PLANS HAVE BEEN PREPARED USING STANDARD ENGINEERING SCALES. REDUCED SIZED PLANS WILL NOT CONFORM TO STANDARD SCALES. IN MAKING MEASUREMENTS ON REDUCED PLANS, THE ABOVE SCALES MAY BE USED.

J.U.L.I.E.
 JOINT UTILITY LOCATION INFORMATION FOR EXCAVATION
 1-800-892-0123
 OR 811

- LIST OF STRUCTURAL WORK**
- US 52 /IL 64 OVER THE MISSISSIPPI RIVER
 STR. NO. 008-0052
 LENGTH = 2,462'
 STA. 1572+93.13
 - RETAINING WALL
 STR. NO. 008-7001
 LENGTH = 1,565'
 STA. 717+40.00
 - REMOVE EXISTING BRIDGE OVER THE MISSISSIPPI RIVER
 STR. NO. 008-6000

PROJECT BEGINS
 US 52 /IL 64
 STA. 1546+00.00

IMPROVEMENT BEGINS
 US 52 /IL 64
 STA. 1546+00.00



IMPROVEMENT ENDS
 IL 84
 STA. 730+60.00

PROJECT ENDS
 IL 84
 STA. 728+90.00

PROJECT BEGINS
 US 52 /IL 64 /IL 84
 STA. 705+40.00

IMPROVEMENT BEGINS
 US 52 /IL 64 /IL 84
 STA. 703+10.00

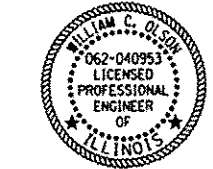
PROJECT LOCATED IN: SAVANNA, ILLINOIS

PROJECT ENGINEER : REBECCA MARRUFFO
 PROJECT MANAGER : FAITH DUNCAN (815) 284-5364

PREPARED BY : **PARSONS**
 10 SOUTH RIVERSIDE PLAZA, SUITE 400
 CHICAGO IL 60606
 Telephone: 312-930-5100
 Fax: 312-930-0018
ROBERT MAGLIOLA (312) 930-5100

CONTRACT NO. 64G59

GROSS LENGTH = 6,348.63 FT. = 1.202 MILES
 NET LENGTH = 6,348.63 FT. = 1.202 MILES
 US 52 /IL 64 = 3,998.63 FT. = 0.757 MILES
 US 52 /IL 64 /IL 84 = 2,350.00 FT. = 0.445 MILES



NAME: *William C. Olson*
 EXPIRES: *11/30/15*
 DATE: *3/12/15*
 SHEETS: 1-118, 137-172, 391-528

STATE OF ILLINOIS
 DEPARTMENT OF TRANSPORTATION
 DIVISION OF HIGHWAYS

SUBMITTED *March 25th 2015*
Paul C. [Signature]
 DEPUTY DIRECTOR OF HIGHWAYS, REGION ENGINEER

June 26 2015
John D. Baranzelli, PE, [Signature]
 acting ENGINEER OF DESIGN AND ENVIRONMENT

June 26 2015
Omer Osman, PE, [Signature]
 DIRECTOR OF HIGHWAYS, CHIEF ENGINEER

**PRINTED BY THE AUTHORITY
 OF THE STATE OF ILLINOIS**

SEE SHEET 3 FOR ADDITIONAL SEALS

INDEX / HIGHWAY STANDARDS

INDEX OF SHEETS

1	COVER SHEET
2	INDEX OF SHEETS AND HIGHWAY STANDARDS
3	ENGINEERING SEALS AND SIGNATURES
4 -	6 GENERAL NOTES
7 -	30 SUMMARY OF QUANTITIES
31 -	37 TYPICAL SECTIONS
38 -	57 SCHEDULE OF QUANTITIES
58 -	61 ALIGNMENT, TIES, AND BENCHMARKS
62 -	64 EXISTING PLAN AND REMOVALS
65 -	72 PROPOSED ROADWAY PLANS AND PROFILES
73 -	74 PROPOSED GRADING PLANS
75 -	77 ROADWAY DETAILS
78 -	79 PARAPET AND ANCHORAGE SLAB
	80 MAINTENANCE OF TRAFFIC - GENERAL NOTES
	81 MAINTENANCE OF TRAFFIC - SEQUENCE OF CONSTRUCTION
	82 MAINTENANCE OF TRAFFIC - STAGE OVERVIEW AND ADVANCED SIGNING
83 -	88 MAINTENANCE OF TRAFFIC - PRESTAGE
89 -	93 MAINTENANCE OF TRAFFIC - STAGE 1
94 -	98 MAINTENANCE OF TRAFFIC - STAGE 2A
99 -	103 MAINTENANCE OF TRAFFIC - STAGE 2B
104 -	108 MAINTENANCE OF TRAFFIC - STAGE 3A
109 -	115 MAINTENANCE OF TRAFFIC - STAGE 3B
116 -	118 EROSION AND SEDIMENT CONTROL PLANS
119 -	126 DRAINAGE AND UTILITY PLANS
127 -	129 DRAINAGE SCHEDULES
130 -	136 DRAINAGE DETAILS
137 -	139 RIGHT-OF-WAY PLANS
140 -	141 INTERSECTION LAYOUT DETAILS
	142 PROPOSED SIDEWALK DETAILS
	143 SCENIC OVERLOOK DETAILS
144 -	146 PAVEMENT MARKING AND SIGNING PLANS
147 -	151 GUIDESIGN DETAILS
152 -	154 LANDSCAPING PLANS
	155 TEMPORARY TRAFFIC SIGNAL DETAILS
156 -	172 LIGHTING PLANS AND DETAILS
173 -	349 BRIDGE PLANS - PROPOSED US 52 / IL 64 OVER THE MISSISSIPPI RIVER - S.N. 008-0052 (BRIDGE PLANS INDEX ON SHEET 175)
350 -	390 RETAINING WALL PLANS - S.N. 008-7001
	391 RIPRAP AT END SECTIONS (19.4)
	CONCRETE REVETMENT MAT AT END SECTIONS (19.4a)
	DETAIL OF HOT-MIX ASPHALT SHOULDER AT GUARDRAIL (23.4)
	HOT-MIX ASPHALT SHOULDER (23.4a)
	THRUST BLOCK DETAILS (34.4)
	SIDEWALK AND DRIVEWAY PAVEMENT PAY AREAS (35.4)
	DELINEATOR AND POST ORIENTATION (37.4)
	ROAD CLOSED TO OVERSIZED LOADS (40.4)
393	LAND SECTION & CONCRETE REFERENCE MARKERS (63.4)
	INLETS, SPECIAL, NO. 4 (79.4a)
	INLETS, SPECIAL, NO. 5 (79.4b)
	NOSE TYPE FOR INLET TOP SLAB (79.4f)
394	INLETS, SPECIAL, NO. 3, 4, 5, 6 REINFORCEMENT DETAIL (79.4g)
	DRAIN FOR AGGREGATE BASES IN URBAN AREAS (88.4)
	DRAIN FOR AGGREGATE BASE COURSE (96.4)
	STOP LINE SIGN FOR TEMPORARY SIGNALS (99.4)
395	INFORMATIONAL WARNING SIGN (FOR NARROW TRAVEL LANES) (39.2)
396	SUPERELEVATION TRANSITION ON TWO-LANE HIGHWAY (45.2)
397	SUPERELEVATION TRANSITION ON TWO-LANE HIGHWAY (45.2) CONTINUED
398	PERMANENT SURVEY MARKERS, TYPE II (66.2)
	ENTRANCE SIGN FOR USE WITH TEMPORARY SIGNALS (75.2)
399	HOT-MIX ASPHALT APPROACHES AND MAILBOX RETURNS (20.1)
400	ENTRANCE APPROACHES - URBAN AREA (25.1)
401	SEWER AND WATER MAIN CROSSINGS (32.1)
402	CONCRETE COLLARS FOR PIPE OR BOX CULVERT EXTENSIONS (33.1)
403	TRAFFIC CONTROL FOR ROAD CLOSURE (40.1)
404 -	406 TYPICAL PAVEMENT MARKINGS (41.1)
	407 DETAILS OF PLANTING AND BRACING TREES (92.1)
408 -	418 CROSS SECTIONS - US 52
419 -	448 CROSS SECTIONS - IL 84
449 -	451 CROSS SECTIONS - RANDOLPH STREET
452 -	455 CROSS SECTIONS - CALHOUN STREET
456 -	458 CROSS SECTIONS - CONSTRUCTION STAGING PRE-STAGE & STAGE 1 US 52
459 -	486 CROSS SECTIONS - CONSTRUCTION STAGING PRE-STAGE & STAGE 1 IL 84
487 -	495 CROSS SECTIONS - CONSTRUCTION STAGING STAGE 2A & STAGE 2B US 52
496 -	523 CROSS SECTIONS - CONSTRUCTION STAGING STAGE 2A & STAGE 2B IL 84
524 -	528 CROSS SECTIONS - CONSTRUCTION STAGING STAGE 3A US 52

HIGHWAY STANDARDS

000001	-06	STANDARD SYMBOLS, ABBREVIATIONS AND PATTERNS
001001	-02	AREAS OF REINFORCEMENT BARS
001006		DECIMAL OF AN INCH AND OF A FOOT
280001	-07	TEMPORARY EROSION CONTROL SYSTEMS
420001	-08	PAVEMENT JOINTS
420111	-03	PCC PAVEMENT ROUNDOUTS
420401	-11	BRIDGE APPROACH PAVEMENT CONNECTOR
424001	-08	PERPENDICULAR CURB RAMPS FOR SIDEWALKS
424006	-02	DIAGONAL CURB RAMPS FOR SIDEWALKS
424016	-02	MID-BLOCK CURB RAMPS FOR SIDEWALKS
424021	-03	DEPRESSED CORNER FOR SIDEWALKS
424026	-01	ENTRANCE / ALLEY PEDESTRIAN CROSSINGS
442201	-03	CLASS C AND D PATCHES
482001	-02	HMA SHOULDER ADJACENT TO FLEXIBLE PAVEMENT
515001	-03	NAME PLATE FOR BRIDGES
542001	-04	CONCRETE END SECTIONS FOR PIPE CULVERTS 15" THRU 84" DIA.
542311	-05	TRAVERSABLE PIPE GRATE
542401	-01	METAL END SECTION FOR PIPE CULVERTS
542546	-01	FLUSH INLET BOX FOR MEDIAN
601001	-04	SUB-SURFACE DRAINS
601101	-01	CONCRETE HEADWALL FOR PIPE DRAIN
602401	-03	MANHOLE TYPE A
602416	-04	MANHOLE TYPE A 8' DIAMETER
602421	-04	MANHOLE TYPE A 9' DIAMETER
602601	-03	PRECAST REINFORCED CONCRETE FLAT SLAB TOP
602701	-02	MANHOLE STEPS
604001	-04	FRAME AND LIDS TYPE 1
606001	-06	CONCRETE CURB TYPE B AND COMBINATION CONCRETE CURB AND GUTTER
606301	-04	PC CONCRETE ISLANDS AND MEDIANS
606401	-01	PAVED DITCH
610001	-06	SHOULDER INLET WITH CURB
630001	-10	STEEL PLATE BEAM GUARDRAIL
630106	-01	LONG-SPAN GUARDRAIL OVER CULVERT
630301	-06	SHOULDER WIDENING FOR TYPE 1 (SPECIAL) GUARDRAIL TERMINALS
631011	-09	TRAFFIC BARRIER TERMINAL, TYPE 2
631031	-13	TRAFFIC BARRIER TERMINAL, TYPE 6
631051	-03	TRAFFIC BARRIER TERMINAL TYPE 11
635001	-01	DELINEATORS
635006	-03	REFLECTOR AND TERMINAL MARKER PLACEMENT
635011	-02	REFLECTOR MARKER AND MOUNTING DETAILS
664001	-02	CHAIN LINK FENCE
666001	-01	RIGHT OF WAY MARKERS
701001	-02	OFF-ROAD OPERATIONS, 2L, 2W, MORE THAN 15' AWAY
701006	-05	OFF-ROAD OPERATIONS, 2L, 2W, 15' TO 24" FROM PAVEMENT EDGE
701011	-04	OFF-RD MOVING OPERATIONS, 2L, 2W, DAY ONLY
701106	-02	OFF-RD MOVING OPERATIONS, MULTILANE, MORE THAN 15' (4.5 m) AWAY
701201	-04	LANE CLOSURE, 2L, 2W, DAY ONLY, FOR SPEEDS >= 45 MPH
701301	-04	LANE CLOSURE, 2L, 2W, SHORT TIME OPERATIONS
701311	-03	LANE CLOSURE 2L, 2W MOVING OPERATIONS-DAY ONLY
701316	-09	LANE CLOSURE 2L, 2W, BRIDGE REPAIR, FOR SPEEDS > 45 MPH
701326	-04	LANE CLOSURE, 2L, 2W, PAVEMENT WIDENING FOR SPEEDS >= 45 MPH
701331	-04	LANE CLOSURE 2L, 2W, WITH RUN-AROUND, FOR SPEEDS >= 45 MPH
701501	-06	URBAN LANE CLOSURE, 2L, 2W, UNDIVIDED
701801	-05	SIDEWALK, CORNER OR CROSSWALK CLOSURE
701901	-04	TRAFFIC CONTROL DEVICES
704001	-07	TEMPORARY CONCRETE BARRIER
720001	-01	SIGN PANEL MOUNTING DETAILS
720006	-04	SIGN PANEL ERECTION DETAILS
720011	-01	METAL POSTS FOR SIGNS, MARKERS & DELINEATORS
720016	-03	MAST ARM MOUNTED STREET NAME SIGNS
728001	-01	TELESCOPING STEEL SIGN SUPPORT
729001	-01	APPLICATIONS OF TYPES A & B METAL POSTS (FOR SIGNS & MARKERS)
731001	-01	BASE FOR TELESCOPING STEEL SIGN SUPPORT
780001	-05	TYPICAL PAVEMENT MARKINGS
781001	-03	TYPICAL APPLICATIONS RAISED REFLECTIVE PAVEMENT MARKERS
782001		PRISMATIC CURB REFLECTORS
805001	-01	ELECTRICAL SERVICE INSTALLATION DETAILS
812001		RACEWAY EMBEDDED IN STRUCTURE
821101	-01	LUMINAIRE WIRING DIAGRAM
825001	-02	LIGHTING CONTROLLER POLE MOUNTED, 240V
826006	-01	NAVIGATION OBSTRUCTION LIGHTING CONTROLLER, 480V
830006	-03	LIGHT POLE ALUMINUM DAVIT ARM
836001	-02	LIGHT POLE FOUNDATION
838001		BREAKAWAY DEVICES

FILE NAME: c:\pwworking\illinet\353581\enr\2011\INDX_201.dgn

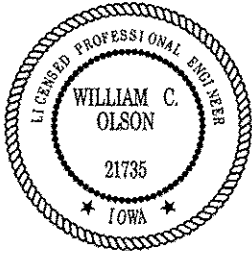
USER NAME = 353581	DESIGNED - JB	REVISED -
DRAWN - SO	CHECKED - JC	REVISED -
PLOT SCALE = 2.0000 / 1" =	DATE - 03-12-2015	REVISED -
PLOT DATE = 3/20/2015		

**STATE OF ILLINOIS
DEPARTMENT OF TRANSPORTATION**

**INDEX OF SHEETS
AND HIGHWAY STANDARDS**

SCALE: N/A	SHEET 1 OF 1 SHEETS	STA. TO STA.	F.A.P. RTE. 17	SECTION 104B-2	COUNTY CARROLL/JACKSON	TOTAL SHEETS 528	SHEET NO. 2
						CONTRACT NO. 64059	
						FED. ROAD DIST. NO. ILLINOIS FED. AID PROJECT	

Rev




I hereby certify that this engineering document was prepared by me or under my direct personal supervision and that I am a duly licensed Professional Engineer under the laws of the State of Iowa.

William C. Olson 3/12/15
 William C. Olson, P.E. Date

License Number 21735
 My License Renewal Date is December 31, 2016

Pages or sheets covered by this seal:
1-118, 137-172, 391-528

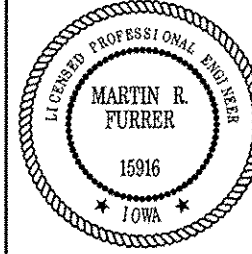


I hereby certify that this engineering document was prepared by me or under my direct personal supervision and that I am a duly licensed Professional Engineer under the laws of the State of Iowa.

Mark A. Land 3/19/15
 Mark A. Land, P.E. Date

License Number 14045
 My License Renewal Date is December 31, 2016

Pages or sheets covered by this seal:
119-136




I hereby certify that this engineering document was prepared by me or under my direct personal supervision and that I am a duly licensed Professional Engineer under the laws of the State of Iowa.

Martin R. Furrer 3/12/15
 Martin R. Furrer, P.E. Date


License Number 15916
 My License Renewal Date is December 31, 2016

Pages or sheets covered by this seal:
173-349




Martin R. Furrer
 NAME

EXPIRES: 11/30/16
 DATE: 3/12/15
 SHEETS: 173-349



Roger L. DiGiulio
 NAME

EXPIRES: 11/30/16
 DATE: 3/17/15
 SHEETS: 350-390



Mark A. Land
 NAME

EXPIRES: 11/30/15
 DATE: 3/19/15
 SHEETS: 119-136

FILE NAME : D:\Lup1462\purn01\purn01\Illinois\Iowa\Documents\US921L64 - 647512\Design\CAD00\Roadway\Sweet_Bridge_P2_V201115E4_200.dgn

USER NAME * 39361	DESIGNED - JB	REVISED -
PLOT SCALE * 2.0000' / in.	DRAWN - SO	REVISED -
PLOT DATE * 3/11/2015	CHECKED - JB	REVISED -
	DATE - 03-12-2015	REVISED -

**STATE OF ILLINOIS
 DEPARTMENT OF TRANSPORTATION**

ENGINEERING SEALS AND SIGNATURES

SCALE: N/A SHEET 1 OF 1 SHEETS STA. TO STA.

F.A.P. RTE.	SECTION	COUNTY	TOTAL SHEETS	SHEET NO.
17	104B-2	CARROLL/JACKSON	528	3
FED. ROAD DIST. NO. ILLINOIS FED. AID PROJECT				

CONTRACT NO. 64059

COMMITMENTS

- ALL TREES REMOVED FROM THE PROJECT AREA FOR CONSTRUCTION OR MAINTENANCE PURPOSES WILL BE REPLACED WITH DECIDUOUS TREE SPECIES WHICH ARE NATIVE TO THE DISTRICT 2 AREA. TREES WILL BE REPLACED ACCORDING TO DEPARTMENT POLICY D&E-18 (SEPTEMBER 18, 2002). THE LOCATION OF THE REPLACEMENT TREES SHALL BE DETERMINED BY THE DISTRICT 2 LANDSCAPE ARCHITECT.
- ACCORDING TO IDOT BDE PROCEDURE MEMORANDUM 99-34 AND OPERATIONS POLICY 5 1800, ALL UNMOWED AREAS SHALL BE DESIGNATED IN THE PLANS AND SEEDED WITH THE APPROPRIATE NATIVE SEEDING SELECTIONS FROM CLASS 4, PER DIRECTIVE OF THE DECEMBER 8, 1999 STUDIES AND PLANS ENGINEER'S MEMORANDUM.
- LITTLE BROWN AND NORTHERN LONG EARED BATS - TO AVOID POTENTIAL IMPACTS TO BATS, TREE REMOVAL AND DEMOLITION OF THE OLD BRIDGE WILL BE COMPLETED BETWEEN OCTOBER 1 AND MARCH 31.
- THE TWO BRONZE PLAQUES LOCATED ON THE EXISTING US 52/IL 64 BRIDGE SHALL BE SALVAGED AND DELIVERED TO THE SAVANNA HISTORICAL SOCIETY, NFP. CONTACT JOHN POKORNIK (815) 275-2317 FOR DELIVERY DETAILS.
- THE EXISTING DRIVEWAY BRICKS AT 1030 MAIN STREET (IL 84) (PROPERTY OWNER MS. KAREN RAUCHENECKER) SHALL BE SALVAGED, HANDLED WITH CARE AND RETURNED TO THE PROPERTY OWNER AT THIS ADDRESS. THIS WORK SHALL BE INCLUDED IN THE COST OF DRIVEWAY PAVEMENT REMOVAL.
- THE EXISTING RETAINING WALL BLOCKS AT 725+00 RT (IL 84) (PROPERTY OWNER RANDY CURLEY) SHALL BE SALVAGED, HANDLED WITH CARE AND RETURNED TO DISTRICT 2 OPERATIONS. THE COST OF THE REMOVAL AND SALVAGE SHALL BE INCLUDED IN THE DEBRIS REMOVAL.
- THE EXISTING TREE AT THE LENHARDT PROPERTY 710+14 RT (IL 84) SHALL REMAIN IN PLACE. TREE TRUNK PROTECTION IS SHOWN IN THE LANDSCAPING PLANS.
- ALL WOODY PLANTS WHICH WILL HAVE DIAMETERS OF GREATER THAN 4 INCHES AT MATURITY SHALL NOT BE PLANTED ON THE FORESLOPES, IN THE DITCHES, OR IN THE CLEAR ZONE AS ESTABLISHED IN THE BDE MANUAL.
- CONTRACTOR SHALL MONITOR CRACKS IN THE LENHARDT AND BIERCE PROPERTIES NEAR 710+25, RT. SEE SPECIAL PROVISIONS FOR ADDITIONAL INFORMATION.
- PER THE REQUEST OF USEPA, THE OLD BRIDGE INFRASTRUCTURE WILL BE REUSED OR RECYCLED TO THE MAXIMUM EXTENT POSSIBLE.
- TO AVOID OR REDUCE IMPACTS TO FISH AND/OR THE AQUATIC ENVIRONMENT, THE CONTRACTOR WILL BE REQUIRED TO ADHERE TO THE SPECIAL PROVISION FOR POTENTIAL IMPACTS TO FISH FROM BLASTING.

GENERAL NOTES

- THE ATTENTION OF THE CONTRACTOR IS DIRECTED TO THE SPECIAL PROVISIONS FOR POTENTIAL UTILITY CONFLICTS.
- THE CONTRACTOR WILL NOT BE ALLOWED TO SET UP A YARD OR FIELD OFFICE ON STATE PROPERTY WITHOUT WRITTEN PERMISSION FROM THE DEPARTMENT.
- THE UNIT WEIGHT USED TO CALCULATE ALL HMA SURFACE AND BINDER MIXTURE QUANTITIES IS 112 LBS/SQ YD./IN.
- THE COST OF CONNECTING PROPOSED STORM SEWER OR PIPE UNDERDRAINS TO EXISTING DRAINAGE STRUCTURES SHALL NOT BE PAID FOR SEPARATELY BUT SHALL BE INCLUDED IN THE COST OF THE STORM SEWER OR PIPE UNDERDRAIN PAY ITEM.
- THE CONTRACTOR SHALL USE CARE IN GRADING OR EXCAVATING NEAR ANY AND ALL EXISTING ITEMS WHICH WILL NOT BE REMOVED. ANY DAMAGE DONE TO EXISTING ITEMS BY THE CONTRACTOR SHALL BE REPAIRED/REPLACED BY THE CONTRACTOR AT THE CONTRACTORS' OWN EXPENSE.
- THE CONTRACTOR SHALL BE RESPONSIBLE FOR CONTACTING THE CITY OF SAVANNA FIRE AND POLICE DEPARTMENTS, 14 WORKING DAYS PRIOR TO START OF CONSTRUCTION IN ORDER TO REVIEW AND COORDINATE THE CONSTRUCTION SCHEDULE.
CITY OF SAVANNA FIRE CHIEF, SHAWN L. PICOLOTTI: (815) 273-2246.
CITY OF SAVANNA CHIEF OF POLICE, MICHAEL G. MOON: (815) 273-2246.
- ANY SEWER OR STRUCTURE REMOVAL WHICH REQUIRES ABANDONMENT OF A PORTION OF EXISTING SEWER, OR RESULTS IN A HOLE IN AN EXISTING STRUCTURE, WILL REQUIRE THE REMAINING SEWER OR STRUCTURE TO BE SECURELY SEALED WITH CLASS SI CONCRETE OR BRICK AND MORTAR PER ARTICLE 605.04 OF THE STANDARD SPECIFICATIONS. THIS WORK SHALL NOT BE PAID FOR SEPARATELY, BUT SHALL BE INCLUDED IN THE COST OF THE SEWER OR STRUCTURE REMOVAL ITEM.

- ABBREVIATIONS: T.E. = TEMPORARY EASEMENT, P.E. = PERMANENT EASEMENT.
- THE CONTRACTOR SHALL VERIFY ALL DIMENSIONS AND CONDITIONS IN THE FIELD PRIOR TO CONSTRUCTION AND ORDERING OF MATERIALS.
- THE CONTRACTOR SHALL USE CAUTION WHEN EXCAVATING NEAR ANY RAILROAD LINE. THE UNION PACIFIC DETAIL SHOWN IN THE ROADWAY DETAILS SECTION SHALL BE THE MINIMUM REQUIREMENTS FOR EXCAVATION IN THE VICINITY OF ANY RAILROAD.
- IF THE CONTRACTOR ENCOUNTERS PREVIOUSLY UNIDENTIFIED UTILITIES DURING EXCAVATION, THE CONTRACTOR SHALL FIRST DETERMINE IF THE UTILITY IS ABANDONED. IF THE UTILITY IS ABANDONED, THE CONTRACTOR SHALL REMOVE THE PORTIONS OF THE UTILITY THAT CONFLICT WITH CONSTRUCTION OPERATIONS AND DISPOSE OF THE REMOVED UTILITY OUTSIDE OF THE STATE RIGHT OF WAY. THIS WORK SHALL BE PAID FOR PER ARTICLE 109.04.
- TREE PLANTING LAYOUT SHALL BE PERFORMED BY THE DISTRICT ROADSIDE MANAGEMENT SPECIALIST. MULCH SHALL BE PLACED 4" THICK AND TO THE DIAMETER AROUND THE BALLED AND BURLAP TREES AS SHOWN ON DISTRICT STANDARD 92.1. THE MULCH SHALL BE HARDWOOD WOOD CHIPS PLACED ON WEED BARRIER FABRIC. THIS WORK SHALL BE INCLUDED IN THE COST OF THE TREE.
- ALL CONTAINER GROWN SEEDLINGS SHALL BE ROOT PRODUCTION METHOD TREES. THE RPM SEEDLINGS SHALL BE PLANTED IN AREAS AS SHOWN IN THE PLANS AND/OR AS DIRECTED BY THE DISTRICT ROADSIDE MANAGEMENT SPECIALIST.
- EXCESS TREES THAT CANNOT BE PLANTED ALONG THE IL 84/US 52 PROJECT LIMITS SHALL BE PLANTED AT ALTERNATIVE LOCATIONS AS DETERMINED BY THE DISTRICT ROADSIDE MANAGEMENT SPECIALIST.
- REGARDING THE ROADWAY ALONG THE IOWA CAUSEWAY: PROPER CONSTRUCTION INCLUDING QUALITY CONTROL AND INSPECTION DURING CONSTRUCTION IS VITAL FOR THE OVERALL STABILITY OF THE EMBANKMENT EVEN FOR A SHORT PERIOD OF TIME. FAILURE OF THE WIDENED EMBANKMENT MAY RESULT DUE TO: SUB-STANDARD COMPACTION OF FILL, INADEQUATE BENCHING INTO THE EXISTING EMBANKMENT OR IMPROPER DRAINAGE CONTROL. EARTHWORK PROCEDURES SHOULD INCLUDE PROVISIONS TO MINIMIZE SOIL DISTURBANCE AND EXPOSURE. EARTH MOVING OPERATIONS SHOULD BE SCHEDULED TO NOT COINCIDE WITH EXCESSIVE COLD OR WET WEATHER (EARLY SPRING, LATE FALL OR WINTER). WET SAND EXPOSED TO COLD WEATHER SHOULD BE PROTECTED FROM FREEZING. ANY SOIL ALLOWED TO FREEZE OR SOFTEN DUE TO STANDING WATER SHOULD BE REMOVED FROM THE SUBGRADE. WET WEATHER CAN CAUSE PROBLEMS WITH SUBGRADE COMPACTION.

- THE FOLLOWING INFORMATION IS REGARDING THE BNSF RAILROAD AT THE PROJECT LOCATION.
RAILROAD CONTACT:
CALVIN NUTT
BNSF RAILWAY
MANAGER PUBLIC PROJECTS
IA, IL, WI
80 44th AVENUE NORTHEAST, MINNEAPOLIS, MN 55421
763-782-3495
CALVIN.NUTT@BNSF.COM

NUMBER OF MAIN TRACKS: 2
AVERAGE NUMBER OF TRAINS PER DAY: 60
- THE REMOVAL OF BITUMINOUS SURFACING LESS THAN 6 INCH THICKNESS NOT ON A RIGID TYPE BASE REMOVED IN CONJUNCTION WITH THE BASE SHALL BE REMOVED AS EARTH EXCAVATION. THE REMOVAL OF BITUMINOUS SURFACING ON A RIGID TYPE BASE OR A THICKNESS OF 6 INCHES OR MORE ON A FLEXIBLE BASE REMOVED IN CONJUNCTION WITH THE BASE SHALL BE INCLUDED IN THE CONTRACT UNIT PRICE FOR PAVEMENT REMOVAL OF THE TYPE SPECIFIED.
- THE FINAL TOP FOUR INCHES OF SOIL IN ANY RIGHT-OF-WAY AREA DISTURBED BY THE CONTRACTOR MUST BE CAPABLE OF SUPPORTING VEGETATION. THE SOIL MUST BE FROM THE A HORIZON (ZERO TO 2' DEEP) OF SOIL PROFILES OF LOCAL SOILS. THE COST OF THIS WORK SHALL BE INCLUDED IN THE UNIT PRICES BID AND NO ADDITIONAL COMPENSATION WILL BE ALLOWED.
- A SHRINKAGE FACTOR OF 15% HAS BEEN USED FOR EARTHWORK. SEE THE SUMMARY OF QUANTITIES AND SCHEDULE OF QUANTITIES FOR FINAL QUANTITIES.
- THE TOPSOIL EXCAVATION QUANTITIES HAVE BEEN ADJUSTED TO ALLOW FOR 15% SHRINKAGE OF TOPSOIL BETWEEN REMOVAL AND REPLACEMENT.
- ALL BORROW/WASTE/USE SITES MUST BE APPROVED BY THE DEPARTMENT PRIOR TO REMOVING ANY MATERIAL FROM THE PROJECT OR INITIATING ANY EARTH MOVING ACTIVITIES, INCLUDING TEMPORARY STOCKPILING OUTSIDE THE LIMITS OF CONSTRUCTION. ANY OFF SITE CONSTRUCTION YARD USED BY THE CONTRACTOR SHALL BE CLEARED FROM ALL ENVIRONMENTAL CONCERNS AT THE CONTRACTORS' EXPENSE.
- THE CONTRACTOR SHALL SEED/SOD ALL DISTURBED AREAS WITHIN THE PROJECT LIMITS. SEE LANDSCAPING PLANS FOR LOCATIONS AND SEEDING TYPES.
- THE FOLLOWING MIXTURE REQUIREMENTS ARE APPLICABLE FOR THIS PROJECT, SEE BELOW:

MIXTURE REQUIREMENTS

MIXTURE USE	FULL DEPTH PAVEMENT		
	SURFACE (2")	TOP LIFT BINDER (3.75") ILLINOIS TOP LIFT BINDER (3.50") IOWA	ALL OTHER LIFTS (4")
PG	SBS PG 64-28	SBS PG 64-28	PG 64-22
DESIGN AIR VOIDS	4.0% @ N50	4.0% @ N50	4.0% @ N50
MIX COMPOSITION (GRADATION MIXTURE)	IL 9.5	IL 19.0	IL 19.0
FRICTION AGGREGATE	C	N/A	N/A
20 YEAR ESAL	0.9	0.9	0.9
MIX UNIT WEIGHT	112 LBS/SY/IN	112 LBS/SY/IN	112 LBS/SY/IN
QUALITY MANAGEMENT	QCP	QCP	QCP
SUBLOT TONNAGE	750	750	750

MIXTURE REQUIREMENTS (CONTINUED)

MIXTURE USE	HMA SHOULDER TOP LIFT 2"	HMA SHOULDER LOWER LIFTS & FULL DEPTH PATCHES	TEMPORARY PAVEMENT SURFACE COURSE 2"	TEMPORARY PAVEMENT BINDER COURSE 3.25"
PG	PG 64-22	PG 64-22	PG 64-22	PG 64-22
DESIGN AIR VOIDS	3.0% @ N50	2.0% @ N50	4.0% @ N50	4.0% @ N50
MIX COMPOSITION (GRADATION MIXTURE)	IL 9.5 OR 9.5FG	IL 19.0 OR 19.0 FG	IL 9.5	IL 19.0
FRICTION AGGREGATE	MIX C	N/A	MIX C	N/A
20 YEAR ESAL	N/A	N/A	0.9	0.9
MIX UNIT WEIGHT	112 LBS/SY/IN	112 LBS/SY/IN	112 LBS/SY/IN	112 LBS/SY/IN
QUALITY MANAGEMENT	QCP	QCP	QC/OA	QC/OA
SUBLOT TONNAGE	750	750		

FILE NAME: c:\pwworking\illinois\32531\32531.dwg

USER NAME = 35381	DESIGNED - JB	REVISED -
PLOT SCALE = 2.0000' / 1"	DRAWN - SO	REVISED -
PLOT DATE = 3/20/2015	CHECKED - JC	REVISED -
	DATE - 03-12-2015	REVISED -

STATE OF ILLINOIS
DEPARTMENT OF TRANSPORTATION

GENERAL NOTES 1

SCALE: N/A SHEET 1 OF 3 SHEETS STA. TO STA.

F.A.P. RTE.	SECTION	COUNTY	TOTAL SHEETS	SHEET NO.
17	104B-2	CARROLL/JACKSON	528	4
CONTRACT NO. 64059				
FED. ROAD DIST. NO. ILLINOIS FED. AID PROJECT				

24. THE GRANULAR MATERIAL USED TO FILL ANY HOLES SHALL MEET THE REQUIREMENTS OF ARTICLE 1004.05 FOR BACKFILL, SHALL BE PLACED IN LIFTS NOT EXCEEDING 12 INCHES, AND SHALL BE COMPACTED TO THE SATISFACTION OF THE ENGINEER.
25. PREVIOUSLY PUGMILLED STOCKPILES OF TYPE A OLDER THAN 1 MONTH WILL NOT BE APPROVED FOR USE UNTIL A MOISTURE CHECK IS RUN TO VERIFY MOISTURE CONTENT. MATERIAL SHIPPED TO PROJECTS WITHOUT BEING TESTED WILL NOT BE ACCEPTED.
26. PLACEMENT AND COMPACTION OF THE BACKFILL FOR PROPOSED ACROSS ROAD CULVERTS AND EXISTING ACROSS ROAD CULVERTS THAT ARE REMOVED SHALL CONFORM TO SECTION 502.10 OF THE STANDARD SPECIFICATIONS, EXCEPT THAT THE MATERIAL SHALL CONFORM TO ARTICLE 208.02 OF THE STANDARD SPECIFICATIONS, AND SHALL BE COMPACTED TO A MINIMUM OF 95% OF THE STANDARD LABORATORY DENSITY. ANY MATERIAL CONFORMING TO THE REQUIREMENTS OF ARTICLE 1003.04 OR 1004.05 WHICH HAS BEEN EXCAVATED FROM THE TRENCHES SHALL BE USED FOR BACKFILLING THE TRENCHES. THE ENTIRE EXCAVATION, WITHIN 2 FEET OUTSIDE OF EACH SHOULDER, SHALL BE BACKFILLED WITH TRENCH BACKFILL MATERIAL TO THE BOTTOM OF THE PROPOSED SUBGRADE. IMPERVIOUS MATERIAL SHALL BE USED ON THE OUTER 3 FEET AT EACH END OF THE CULVERT. THIS TRENCH BACKFILL MATERIAL WILL NOT BE MEASURED FOR PAYMENT, BUT SHALL BE INCLUDED IN THE CONTRACT UNIT PRICE FOR THE CLASS OF CONCRETE INVOLVED OR OTHER UNIT PRICE ITEM OF THE WORK FOR WHICH IT IS REQUIRED.
27. THE SUBGRADE ON THIS PROJECT, EXCLUSIVE OF ROCK CUT AREAS IS SCHEDULED TO BE IMPROVED TO A 12" DEPTH ACCORDING TO MECHANISTIC PAVEMENT DESIGN. THE AREAS SCHEDULED TO BE IMPROVED TO A DEPTH GREATER THAN 12" ARE ESTIMATED BASED ON THE ORIGINAL GEOTECHNICAL INVESTIGATION. THE SUBGRADE SHALL BE PROCESSED IN ACCORDANCE WITH ARTICLE 301.04 OF THE STANDARD SPECIFICATIONS BEFORE THE ENGINEER SHALL DETERMINE THE LIMITS AND THE ADDITIONAL THICKNESS OF IMPROVEMENT REQUIRED, IF ANY. ANY ADDITIONAL UNDERCUTTING REQUIRED AFTER THIS EVALUATION SHALL BE PAID FOR AS EARTH EXCAVATION.
28. ALL AGGREGATE SUBGRADE IMPROVEMENT (SECTION 303), SHALL BE COMPLETED IN ACCORDANCE WITH ARTICLES 311.04, 311.05, 311.05(A), 311.06 AND 311.07. ALL AGGREGATE SUBGRADE THICKNESSES EQUAL TO OR LESS THAN 12 INCHES SHALL BE CONSTRUCTED OF AGGREGATE OF CA02 GRADATION. ALL AGGREGATE SUBGRADE THICKNESSES GREATER THAN 12 INCHES SHALL BE CONSTRUCTED OF CS02.
29. ALL EMBANKMENT CONSTRUCTED OF COHESIVE SOIL SHALL BE CONSTRUCTED WITH NOT MORE THAN 110% OF OPTIMUM MOISTURE CONTENT, DETERMINED BY THE STANDARD PROCTOR TEST. COHESIVE SOIL SHALL BE DEFINED AS ANY SOIL WHICH CONTAINS GREATER THAN 10% PARTICLES BY WEIGHT PASSING THE 75 μ (#200 SIEVE). THE 110% OF OPTIMUM MOISTURE LIMIT MAY BE WAIVED IN FREE-DRAINING GRANULAR MATERIAL WHEN APPROVED BY THE ENGINEER.
- 29A. WHEN LAYING OUT FOR PATCHING, THE MINIMUM DISTANCE BETWEEN NEW PATCHES (SAW CUT TO SAW CUT) SHALL BE 15 FEET. WHEN PATCH SPACING IS LESS THAN 15 FEET, THE PAVEMENT BETWEEN PATCHES SHALL ALSO BE REMOVED AND REPLACED.
- 29B. THE MINIMUM PATCH DIMENSION FOR FULL-DEPTH PATCHES WILL BE AS SHOWN ON STATE STANDARD 442201.
30. COST OF REMOVAL AND DISPOSAL OF MATERIAL FROM THE TEMPORARY PATCH SHALL BE INCLUDED IN THE VARIOUS PATCHING PAY ITEMS.
31. THE CONTRACTOR WILL BE REQUIRED TO FURNISH 5 1/2" HIGH BRASS STENCILS AS APPROVED BY THE ENGINEER AND INSTALL STATIONING AT 250' INTERVALS. STATIONING SHALL BE PLACED ON BOTH LANES OF 2-LANE HIGHWAYS AND ON THE OUTSIDE LANES IN BOTH DIRECTIONS ON 4-LANE HIGHWAYS. THE STATIONS SHALL BE PLACED 6" INSIDE THE PAVEMENT MARKING EDGE SO THEY CAN BE READ FROM THE SHOULDER. THIS WORK WILL BE INCLUDED IN THE COST OF THE FINAL PAVEMENT SURFACE.
32. ON FULL DEPTH PAVEMENT, SHOULDER WIDTHS OF 6 FT. OR LESS MAY BE PLACED, AT THE CONTRACTOR'S OPTION, SIMULTANEOUSLY WITH THE ADJACENT TRAFFIC LANE FOR BOTH THE BINDER AND SURFACE COURSES, PROVIDED THE CROSS SLOPE OF BOTH THE PAVEMENT AND SHOULDER CAN BE SATISFACTORILY OBTAINED. THE SHOULDER WILL BE PAID FOR AT THE CONTRACT UNIT PRICE PER SQUARE YARD FOR HOT-MIX ASPHALT SHOULDERS OF THE THICKNESS SPECIFIED ON THE PLANS.
33. A NATIONWIDE 404 PERMIT HAS BEEN ISSUED FOR THIS PROJECT AND THE CONDITIONS OF THAT PERMIT MUST BE ADHERED TO.
34. THE NEW NUMBER FOR THE BRIDGE STRUCTURE WILL BE 008-0052. THE NUMBER FOR THE RETAINING WALL STRUCTURE WILL BE 008-7001.
35. THE SOILS REPORT AND PROFILES ARE AVAILABLE AT THE DISTRICT OFFICE FOR CONTRACTOR'S REVIEW.

36. THE ADDITIONAL THICKNESS OF PROPOSED PAVEMENT REQUIRED TO MATCH THE BRIDGE APPROACH PAVEMENT, SHOWN IN STANDARD 420401, SHALL BE INCLUDED IN THE COST OF THE PROPOSED PAVEMENT AND NOT PAID FOR SEPARATELY.
37. THE THICKNESS FOR THE BRIDGE APPROACH PAVEMENT CONNECTOR (FLEXIBLE) ADJACENT TO EXISTING PAVEMENT SHALL BE A MINIMUM OF 12". THE MATERIAL SHALL BE 2" HOT-MIX ASPHALT SURFACE COURSE, AND THE REMAINING THICKNESS SHALL BE HOT-MIX ASPHALT BINDER COURSE.
38. REFLECTOR MARKERS TYPE B SHALL BE INSTALLED ON THE TOP OF BRIDGE PARAPET WALLS. THE MARKERS SHALL BE ACCORDING TO STANDARD 635011 AND THE COLOR AND SPACING ACCORDING TO STANDARD 635006, EXCEPT THE MINIMUM IS 2 PER SIDE.
39. CULVERT & BRIDGE FLOWS MUST BE MAINTAINED THROUGHOUT THE PROJECT. NORMAL FLOW SHALL BE ALLOWED TO PASS AT THE RATE IT ENTERS THE JOBSITE. HIGH FLOWS SHALL BE ALLOWED TO PASS WITHOUT CAUSING DAMAGE TO UPSTREAM PROPERTIES.
40. PRECAST GRATED INLET SPECIALS MAY BE SUBSTITUTED IN LIEU OF CAST-IN-PLACE UNITS WITH FLOORS UPON RECEIPT OF MANUFACTURER'S SHOP DRAWINGS WHICH HAVE BEEN APPROVED BY THE DEPARTMENT. THE CONTRACTOR SHALL BE RESPONSIBLE FOR VERIFYING NECESSARY DIMENSIONS ON THE EXISTING DRAINAGE STRUCTURE REQUIRED FOR THE ATTACHMENT. NO ADDITIONAL COST FOR THIS SUBSTITUTION SHALL BE ALLOWED.
41. THE EXISTING EMBANKMENT AND CUT SLOPES HAVE EXPERIENCED EROSION AND/OR SLOUGHING AT SOME LOCATIONS. THE CONTRACTOR SHALL ASSUME RESPONSIBILITY FOR MAINTENANCE OF EMBANKMENT AND CUT SLOPES WITHIN THE LIMITS OF IMPROVEMENTS. THIS WORK SHALL BE PAID FOR ACCORDING TO THE SPECIAL PROVISION FOR MAINTENANCE OF ROADWAYS.
42. ALL SIGN PLACEMENT AND SUPPORTS SHALL BE REVIEWED AND APPROVED PRIOR TO INSTALLATION. THE CONTRACTOR SHALL BE REQUIRED TO CONTACT KURT GLAZIER (815-284-5478) 30 DAYS IN ADVANCE OF ANY SIGN WORK BEING PERFORMED. THE 'GREAT RIVER ROAD', 'NATIONAL ROUTE' 'QUIET ZONE' AND 'SEAT BELT' SIGN DETAILS SHALL BE COORDINATED WITH KURT GLAZIER.
43. ALL FRAMES AND GRATES OF DRAINAGE STRUCTURES TO BE REMOVED OR FILLED SHALL BE DISPOSED OF PER THE STANDARD SPECIFICATIONS.
44. THE NEW MANHOLE LIDS ON THIS PROJECT SHALL HAVE THE WORD "STORM", "SANITARY", OR "WATER" ON THE LID. THE WORD TO BE USED IS NOTED ON THE PLANS. IT WILL BE THE CONTRACTOR'S RESPONSIBILITY TO DETERMINE THE WORD TO BE USED ON OTHER LIDS NOT NOTED ON THE PLANS. NO ADDITIONAL COMPENSATION WILL BE ALLOWED FOR THIS WORK.
45. ALL PROPOSED MANHOLES ON THIS PROJECT SHALL BE CAST-IN-PLACE OR PRECAST. THIS WORK WILL BE PAID FOR AT THE CONTRACT UNIT PRICE EACH FOR MANHOLE OF THE TYPE AND SIZE SPECIFIED.
46. THE CONTRACTOR SHALL DETERMINE FLOWLINES OF EXISTING SEWER LINES WHICH ARE SHOWN ON THE PLANS AS ESTIMATED OR UNKNOWN. THIS INFORMATION IS NECESSARY BEFORE ORDERING INLETS AND MANHOLES.
47. NO FIELD TILE CONNECTIONS ARE ANTICIPATED, HOWEVER, IF FIELD TILE IS ENCOUNTERED, STORM SEWER OR PIPE DRAIN WILL BE USED IN ACCORDANCE WITH SECTION 611. THE MINIMUM SIZE FOR REPLACEMENT WILL BE 6" FOR PIPE DRAINS AND 8" FOR STORM SEWER, BUT THE SIZE MUST BE AT LEAST 2" LARGER THAN THE ADJOINING TILE. A FIELD TILE JUNCTION VAULT WILL BE CONSTRUCTED AT THE RIGHT OF WAY TO CONNECT THE TILE AND STORM SEWER. THIS WORK SHALL BE INCIDENTAL TO THE DRAINAGE ITEMS.
48. THE UNDERDRAIN SYSTEM SCHEDULED ON THIS PROJECT IS TO BE CONSTRUCTED IN ACCORDANCE WITH SECTION 601 OF THE STANDARD SPECIFICATIONS FOR ROAD AND BRIDGE CONSTRUCTION, EXCEPT CA 16 SHALL BE USED IN LIEU OF FA 1 OR FA 2 FOR TRENCH BACKFILL. THE CA 16 SHALL BE ACCORDING TO ARTICLE 1004.05 AND ARTICLE 1004.01 OF THE STANDARD SPECIFICATIONS, EXCEPT IN THE TABLE, COURSE AGGREGATE GRADATION, THE PERCENT PASSING THE NO. 16 SIEVE SHALL BE 4 +/- 4%. THE TRENCH SHALL BE WRAPPED USING A FABRIC ENVELOPE MEETING THE REQUIREMENTS OF ARTICLE 1080.05 OF THE STANDARD SPECIFICATIONS. FABRIC ENCASING THE PIPE SHALL BE ELIMINATED.
49. EMBANKMENT QUANTITIES FOR THE CONSTRUCTION OF THE TRAFFIC BARRIER TERMINALS AS SHOWN IN THE PLANS ARE INCLUDED IN QUANTITIES FOR EARTH EXCAVATION.
50. THE CONTRACTOR SHALL SUPPLY THE RESIDENT ENGINEER WITH THE MANUFACTURER'S INSTALLATION REQUIREMENTS FOR THE TYPE OF STEEL PLATE BEAM GUARDRAIL TERMINAL TYPE I SPECIAL (TANGENT) OR STEEL PLATE BEAM GUARDRAIL TERMINAL TYPE I SPECIAL (FLARED).
51. ONE 16D GALVANIZED NAIL SHALL BE USED TO NAIL THE WOOD BLOCK OUT TO THE WOOD POST ON ALL TRAFFIC BARRIER TERMINAL TYPE I SPECIALS.

52. DELINEATORS SHALL BE INSTALLED AS SHOWN IN STANDARD 635001, EXCEPT THAT THE POST SHALL BE ROTATED 180 AND ONLY METAL-BACKED DELINEATORS SHALL BE PERMITTED. DELINEATORS SHALL BE PLACED AT THE ENDS OF APPROACH GUARDRAIL TERMINAL SECTIONS, AND AT EACH HEADWALL OR END SECTION OF AR CULVERTS. THIS WORK WILL BE PAID FOR AT THE CONTRACT UNIT PRICE EACH FOR DELINEATORS.
53. THE CONTRACTOR SHALL BE RESPONSIBLE FOR COLLECTING AND MAINTAINING AN ELECTRONIC LOG OF ALL STAKEOUT SURVEY THAT IS PERFORMED ON THE JOB, EITHER BY HIM/HER OR ANY SUB-CONTRACTOR PERFORMING THE STAKEOUT. UPON REQUEST, ALL LOGS SHALL BE SUBMITTED TO THE DEPARTMENT. NO ADDITIONAL COMPENSATION WILL BE ALLOWED FOR THIS WORK, BUT SHALL BE CONSIDERED INCLUDED IN THE COST FOR CONSTRUCTION LAYOUT.
54. PAVEMENT MARKING SHALL BE DONE ACCORDING TO STANDARD 780001, EXCEPT AS FOLLOWS:
1. ALL WORDS, SUCH AS ONLY, SHALL BE 8 FEET HIGH.
 2. ALL NON-FREEWAY ARROWS SHALL BE THE LARGE SIZE.
 3. THE DISTANCE BETWEEN YELLOW NO-PASSING LINES SHALL BE 8 INCHES, NOT 7 INCHES, AS SHOWN IN THE DETAIL OF TYPICAL LANE AND EDGE LINES.
 4. CENTERLINE SKIP DASH PAVEMENT MARKING ON MULTI-LANE DIVIDED, MULTI-LANE UNDIVIDED, AND ONE-WAY ROADWAY SHALL BE ACCORDING TO DISTRICT STANDARD 41.1.
55. PERMANENT SURVEY MARKERS, TYPE II, SHALL BE SET AT INTERVALS OF 1 MILE OR AS DIRECTED BY THE ENGINEER. BRIDGE OR CULVERT PROJECTS SHALL HAVE ONE SURVEY MARKER PLACED NEAR THE STRUCTURE. ESTIMATED: 2 EACH.
56. PERMANENT SURVEY MARKERS, TYPE II PLACED IN URBAN AREAS SHOULD BE PLACED IN SIDEWALK AREAS. THE MARKER SHALL BE PLACED AS SHOWN ON DISTRICT STANDARD 66.2. THE SIDEWALK SHALL BE PLACED AROUND THE MARKER AND FLUSH WITH THE TOP.
57. PERMANENT SURVEY MARKERS, TYPE II SHALL BE CAST-IN-PLACE AS SHOWN ON DISTRICT STANDARD 66.2. OPTION 2 WOULD BE TO INSTALL A VAULTED STYLE MONUMENT AS DESCRIBED BY NCS AS A 3D MONUMENT (TOP SECURITY SLEEVE ROD MONUMENT), WITH INSTALLATION INSTRUCTIONS PROVIDED BY THE DISTRICT CHIEF OF SURVEYS. IF POURED IN PLACE, THE BOTTOM OF THE MARKER SHALL BE 5'-0" BELOW THE GROUND SURFACE.
58. THE PERMANENT SURVEY MARKERS, IF POSSIBLE, SHALL BE INSTALLED AT THE BEGINNING OF THE JOB AND PROTECTED THROUGHOUT.
59. THE TEMPORARY CONCRETE BARRIER SHALL BE ANCHORED TO THE PAVEMENT WITH 3 ANCHORS PER SECTION ON THE TRAFFIC SIDE OF THE BARRIER WALL AT THE LOCATIONS SHOWN IN THE SCHEDULE. ALL ANCHORING HOLES SHALL BE CORE DRILLED.

FILE NAME: c:\pwworking\11111111\11111111.dwg 2011/04/20 2:02:09pm

USER NAME : J9361	DESIGNED - JB	REVISED -
PLOT SCALE : 2,0000' / 1" =	DRAWN - SQ	REVISED -
PLOT DATE : 3/20/2015	CHECKED - JC	REVISED -
	DATE - 03-12-2015	REVISED -

**STATE OF ILLINOIS
DEPARTMENT OF TRANSPORTATION**

GENERAL NOTES 2

SCALE: N/A SHEET 2 OF 3 SHEETS STA. TO STA.

F.A.P. RTE.	SECTION	COUNTY	TOTAL SHEETS	SHEET NO.
17	104B-2	CARROLL/JACKSON	528	5
FED. ROAD DIST. NO. ILLINOIS/FED. AID PROJECT			CONTRACT NO. 64059	

60. THE CONTRACTOR SHALL SUBMIT TO THE ENGINEER A DESCRIPTION OF LOCATION, ELEVATION, AND COORDINATES FOR EACH PERMANENT SURVEY MARKER. THE HORIZONTAL COORDINATES MUST BE DERIVED BY GPS AND THE ELEVATION DERIVED USING AN ELECTRONIC LEVEL. THE META DATA, SUCH AS THE GEOID USED, INGS ADJUSTMENT IE: 97 HARN, 03, 07), AND THE BASE POINT(S) NAME OR NUMBER SHALL BE SUBMITTED ALONG WITH A COMPLETE COLLECTION LOG. IF COLLECTED USING RTK METHOD, IT WILL REQUIRE EITHER 3 COLLECTIONS (AVERAGED) FROM 2 DIFFERENT BASES, OR A MINIMUM OF 3 COLLECTIONS (AVERAGED), AT LEAST 2 HOURS APART, FROM THE SAME BASE. IF USING A CORS TYPE NETWORK, THE COLLECTION PROCEDURE SHALL INCLUDE LOCALIZING WITH CHECK SHOTS ON AT LEAST 2 DIFFERENT HARN MONUMENTS BOTH BEFORE AND AFTER COLLECTION. THE LEVEL CIRCUIT SHALL BE RUN FROM FURNISHED MARK TO FURNISHED MARK AND THEN ADJUSTED. THE ERROR OF CLOSURE SHALL BE SUBMITTED WITH THE ELECTRONIC LEVEL NOTES IN A RECOGNIZED FORMAT APPROVED BY THE ENGINEER AND/OR THE CHIEF OF SURVEYS. THE ENGINEER SHALL SUBMIT THIS INFORMATION TO THE DISTRICT CHIEF OF SURVEYS.
61. ALL TYPE A DISABLED RAMPS MUST HAVE BARRIER CURBS ON THE SIDES OF THE RAMPS AS SHOWN ON HIGHWAY STANDARD 42400L. THE BARRIER CURBS SHALL BE CONSTRUCTED ACCORDING TO THE DETAIL OF SIDE CURB ON HIGHWAY STANDARD 42400L.
62. ALL GUTTER OUTLETS SHALL BE EXTENDED TO DITCH FLOW AS DIRECTED BY THE ENGINEER.
63. RIGHT-OF-WAY MARKERS WILL BE ERECTED PER HIGHWAY STANDARD 66600I WITH THE BACK FACE OF THE MARKER ON THE RIGHT-OF-WAY LINE, UNLESS THE NEW RIGHT-OF-WAY LINE HAS BEEN SURVEYED AND PINNED, IN WHICH INSTANCE THE RIGHT-OF-WAY MARKERS WILL BE ERECTED 12 INCHES INSIDE THE NEW RIGHT-OF-WAY LINE. THE METHOD OF INSTALLATION SHALL BE APPROVED BY THE ENGINEER.
64. ANY SUBCONTRACTOR CHOSEN TO DO UNDERGROUND STORAGE TANK REMOVAL AND/OR SPECIAL OR HAZARDOUS WASTE MANAGEMENT MUST BE ON THE STATE FIRE MARSHALL'S CURRENTLY APPROVED LIST OF QUALIFIED CONTRACTORS TO DO SUCH WORK. PRIOR TO ANY INVOLVEMENT WITH SPECIAL OR HAZARDOUS WASTE, THE PRIME CONTRACTOR SHALL NOTIFY THE DISTRICT ENVIRONMENT UNIT HAZARDOUS WASTE COORDINATOR WHO THIS DESIGNATED SUB-CONTRACTOR IS AND FURNISH FIVE PROJECTS THIS SUB-CONTRACTOR HAS SUCCESSFULLY CONCLUDED, INCLUDING THE IEPA INCIDENT NUMBER. THE DISTRICT WILL THEN CONFIRM THE SUCCESSFUL CONCLUSION OF THESE PROJECTS BY REVIEWING THE IEPA DATA BASE. ONLY AFTER APPROVAL FROM THE DISTRICT ENVIRONMENT UNIT WILL THE SUB-CONTRACTOR BE AUTHORIZED TO PROCEED WITH ANY INVOLVEMENT WITH SPECIAL/HAZARDOUS WASTE.
65. BACKFILL PLUGS REQUIRED UNDER ARTICLE 669.09 GROUNDWATER MANAGEMENT SHALL BE CONSTRUCTED OF CONCRETE WHEN WITHIN THE FOLLOWING LIMITS: ALL TRENCHES MADE IN THE SUBGRADE OF THE PROPOSED IMPROVEMENT, AND ALL TRENCHES OUTSIDE OF THE SUBGRADE WHERE THE INNER EDGE OF THE TRENCH IS CLOSER THAN 2 FEET TO THE EDGE OF THE PROPOSED PAVEMENT, STABILIZED SHOULDER, CURB OR SIDEWALK.

66. THE CONTRACTOR SHALL BE RESPONSIBLE FOR PROTECTING UTILITY PROPERTY DURING CONSTRUCTION OPERATIONS AS OUTLINED IN ARTICLE 107.31 OF THE STANDARD SPECIFICATIONS. A MINIMUM OF 48 HOURS ADVANCE NOTICE IS REQUIRED FOR NON-EMERGENCY WORK. THE JULIE NUMBER IS 800-892-0123. THE FOLLOWING LISTED UTILITIES LOCATED WITHIN THE PROJECT LIMITS OR IMMEDIATELY ADJACENT TO THE PROJECT CONSTRUCTION LIMITS ARE MEMBERS OF JULIE:
- CENTURYTEL - TELEPHONE. MS. CINDY OLSON (309) 345-5240
2296 N. HENDERSON STREET GALESBURG, IL 61401
 - JO-CARROLL ENERGY - GAS. MR. BRYAN MCCASKEY (815) 273-2222
103 CHICAGO AVENUE SAVANNA, IL 61074
 - JO-CARROLL ENERGY - ELECTRIC. MR. ROBERT PELELO (815) 858-2207
P.O. BOX 390 / 793 US 20 WEST ELIZABETH, IL 61028
 - MEDIACOM - CATV. MR. GREG BUBENYAK (563) 243-6350
P.O. BOX 1595 / 112 N. 2ND STREET CLINTON, IA 52732
 - ALLIANT ENERGY - ELECTRIC. MR. CHUCK JOHNSON (563) 587-4555
8000 CHAVENELLE ROAD DUBUQUE, IA 52002
 - WINDSTREAM - COMMUNICATIONS. MR. ADAM VICKERY (217) 519-8766
1901 N. ROSELLE ROAD SCHAUMBURG, IL 60195
 - CITY OF SAVANNA - WATER AND SEWER MR. JOHN LINDEMAN (815) 273-2251
333 CHICAGO AVENUE SAVANNA, IL 61074
- MEMBERS OF J.U.L.I.E. (800-892-0123, OR 811) ARE INDICATED BY AN *. NON-J.U.L.I.E. MEMBERS MUST BE NOTIFIED INDIVIDUALLY. IDOT IS NOT A MEMBER OF JULIE. IF YOU ARE NEAR ANY OVERHEAD LIGHTING, INTERSECTION LIGHTING OR TRAFFIC SIGNALS, CONTACT THE IDOT TRAFFIC OFFICE AT 815/284-5469 AT LEAST 48 HOURS PRIOR TO WORK.
67. THE APPLICABLE PORTIONS OF ARTICLE 105.07 OF THE STANDARD SPECIFICATION SHALL APPLY EXCEPT FOR THE FOLLOWING: THE CONTRACTOR SHALL BE RESPONSIBLE TO LOCATE THE VERTICAL DEPTHS OF THE UNDERGROUND UTILITIES WHICH MAY INTERFERE WITH CONSTRUCTION OPERATIONS. THIS WORK WILL NOT BE MEASURED OR PAID FOR SEPARATELY, BUT SHALL BE CONSIDERED AS INCLUDED IN THE UNIT BID PRICE FOR THE ITEM OF CONSTRUCTION INVOLVED. PER SB 699 (90 DAY UTILITY RELOCATION LAW), ONCE RIGHT-OF-WAY IS CLEAR TO AWARD THE PROJECT, A NOTICE WILL BE SENT TO THE UTILITY COMPANIES INSTRUCTING THEM TO HAVE THEIR FACILITIES RELOCATED WITHIN 90 DAYS. ESTIMATED DATE RELOCATION COMPLETE = AWARD DATE + 100 DAYS.
68. CADD DATA WILL BE AVAILABLE TO CONTRACTORS AND CONSULTANTS WORKING ON THIS PROJECT. THIS INFORMATION WILL BE PROVIDED UPON REQUEST AS MICROSTATION CADD FILES AND GEOPAK COORDINATE GEOMETRY FILES ONLY. IF DATA IS REQUIRED IN OTHER FORMATS IT WILL BE YOUR RESPONSIBILITY TO MAKE THESE CONVERSIONS. IF ANY DISCREPANCY OR INCONSISTENCY ARISES BETWEEN THE ELECTRONIC DATA AND THE INFORMATION ON THE HARD COPY, THE INFORMATION ON THE HARD COPY SHOULD BE USED. CONTACT THE DISTRICT'S PROJECT ENGINEER TO REQUEST THESE FILES.
69. IT SHALL BE THE CONTRACTOR'S RESPONSIBILITY TO CONTACT THE MUNICIPALITY TO DETERMINE APPROVED METHODS OF UTILITY STRUCTURE ADJUSTMENT. UTILITY STRUCTURES MAY INCLUDE, BUT ARE NOT LIMITED TO, MANHOLES, WATER VALVES, HANDHOLES, ETC. ALL MATERIALS AND WORK NECESSARY TO COMPLETE ADJUSTMENTS PER MUNICIPALITY REQUIREMENTS SHALL BE CONSIDERED INCLUDED IN THE COST OF THE ASSOCIATED ADJUSTMENT PAY ITEM.
70. TEMPORARY IMPACT ATTENUATORS WILL BE MEASURED AS EACH FOR EACH ATTENUATOR SUPPLIED ON THE JOB AS SPECIFIED IN THE PLANS, AND SHALL INCLUDE THE COST OF RENTING/OWNING THE ATTENUATOR FOR THE TIME REQUIRED ON THE JOB PLUS HAULING TO AND FROM THE PROJECT SITE, AS WELL AS ONE PLACEMENT AND REMOVAL FROM THE ROADWAY. THIS SHALL BE PAID FOR AT THE CONTRACT UNIT PRICE PER EACH FOR IMPACT ATTENUATORS, TEMPORARY OF THE TYPE SPECIFIED.
- RELOCATE TEMPORARY IMPACT ATTENUATORS WILL BE PAID FOR AS EACH AND WILL BE PAID FOR EACH TIME THE ATTENUATOR IS REQUIRED BY STAGING TO BE PICKED UP AND MOVED TO A DIFFERENT LOCATION ON THE PROJECT, WHETHER IT IS TO ANOTHER LOCATION ON THE ROADWAY OR TO A STORAGE/STAGING LOCATION FOR THE PROJECT AS PER PLAN. THIS SHALL BE PAID FOR AT THE CONTRACT UNIT PRICE PER EACH FOR IMPACT ATTENUATORS, RELOCATE OF THE TYPE SPECIFIED.
71. THIS WORK SHALL BE DONE IN ACCORDANCE WITH SECTION 704 OF THE STANDARD SPECIFICATIONS. TEMPORARY CONCRETE BARRIER WILL BE MEASURED IN FEET ALONG THE CENTERLINE OF THE BARRIER AND SHALL INCLUDE THE COST OF RENTING/OWNING THE BARRIER FOR THE TIME REQUIRED ON THE JOB PLUS HAULING TO AND FROM THE PROJECT SITE, AS WELL AS ONE PLACEMENT AND REMOVAL FROM THE ROADWAY IN ACCORDANCE WITH SECTION 704 OF THE STANDARD SPECIFICATION. THIS SHALL BE PAID FOR AT THE CONTRACT UNIT PRICE PER FOOT FOR TEMPORARY CONCRETE BARRIER.
- RELOCATE TEMPORARY CONCRETE BARRIER WILL BE PAID FOR IN FEET ALONG THE CENTERLINE OF THE BARRIER, AND WILL BE PAID FOR EACH TIME THE BARRIER IS REQUIRED BY STAGING TO BE PICKED UP AND MOVED TO A DIFFERENT LOCATION ON THE PROJECT, WHETHER IT IS TO ANOTHER LOCATION ON THE ROADWAY OR TO A STORAGE/STAGING LOCATION FOR THE PROJECT AS PER PLAN. THIS SHALL BE PAID FOR AT THE CONTRACT UNIT PRICE PER FOOT FOR RELOCATE TEMPORARY CONCRETE BARRIER.

72. REMOVAL OF EXISTING RIPRAP SHALL BE PAID FOR AS EARTH EXCAVATION.
73. THE CHAIN LINK FENCE, 4' ATTACHED TO STRUCTURE SHALL BE INSTALLED IMMEDIATELY FOLLOWING THE CONSTRUCTION OF THE RETAINING WALL (S.N. 008-7001).
74. ALL SAW CUTS REQUIRED FOR ANY REMOVAL ITEMS, INCLUDING PARTIAL REMOVAL NECESSARY FOR STAGE CONSTRUCTION, SHALL NOT BE PAID FOR SEPARATELY, BUT SHALL BE INCLUDED IN THE COST OF THE REMOVAL ITEM.
75. 10' TRANSITIONS SHALL BE USED TO MATCH THE PROPOSED CURB AND GUTTER TO THE EXISTING CURB AND GUTTER, OR TO TERMINATE THE PROPOSED CURB AND GUTTER. THE TERMINATION OF ANY PROPOSED CURB AND GUTTER SHALL TRANSITION TO A ZERO INCH CURB HEIGHT. THE TRANSITION SECTION SHALL BE PAID FOR AS THE CURB & GUTTER ITEM BEING TRANSITIONED.
76. THE CONTRACTOR SHALL CONTACT THE SUPERINTENDENT OF PUBLIC WORKS MR. JOHN LINDEMAN AT 815-237-2251 PRIOR TO THE START OF ANY CONSTRUCTION TO FINALIZE WATER MAIN REQUIREMENTS AND 90 DAYS BEFORE ANY WORK BEGINS ON THE WATER MAIN TO ALLOW THE CITY ENOUGH TIME TO SECURE WATER MAIN EPA PERMITS.

FILE NAME: c:\pwworking\illinois\35361\enr\4105\2011\000_201.dwg

USER NAME = 35361	DESIGNED - JB	REVISED -
PL07 SCALE = 2.0000' / 1" =	DRAWN - SQ	REVISED -
PL07 DATE = 3/20/2015	CHECKED - JC	REVISED -
	DATE - 03-12-2015	REVISED -

**STATE OF ILLINOIS
DEPARTMENT OF TRANSPORTATION**

GENERAL NOTES 3

SCALE: N/A SHEET 3 OF 3 SHEETS STA. TO STA.

F.A.P. RTE.	SECTION	COUNTY	TOTAL SHEETS	SHEET NO.
17	104B-2	CARROLL/JACKSON	528	6
CONTRACT NO. 64659				
FED. ROAD DIST. NO. ILLINOIS FED. AID PROJECT				

CODE NO.	ITEM	UNIT	TOTAL QUANTITY	RURAL - CONSTRUCTION CODE - NHPP FUNDS									
				0920 IOWA 100% STATE			ILLINOIS MOIE 80% FED / 20% STATE			CITY OF SAVANNA 100%			
				ROADWAY 0004	BRIDGE 0011	BRIDGE LIGHTING 0021	ROADWAY 0004	BRIDGE 0011	BRIDGE LIGHTING 0021	RETAINING WALL 0040	ROADWAY LIGHTING 0021	UTILITIES 0043	
20100110	TREE REMOVAL (6 TO 15 UNITS DIAMETER)	UNIT	474	310			164						
20100210	TREE REMOVAL (OVER 15 UNITS DIAMETER)	UNIT	271				271						
20100500	TREE REMOVAL, ACRES	ACRE	3.25	2.50			0.75						
20101100	TREE TRUNK PROTECTION	EACH	10				10						
20101350	TREE PRUNING (OVER 10 INCH DIAMETER)	EACH	10				10						
20200100	EARTH EXCAVATION	CU YD	33,040	7,623			25,417						
* 20200200	ROCK EXCAVATION	CU YD	541				541						
20201200	REMOVAL AND DISPOSAL OF UNSUITABLE MATERIAL	CU YD	12,980	12,980									
20400800	FURNISHED EXCAVATION	CU YD	6,372	5,374			998						
20600110	GRANULAR EMBANKMENT, SPECIAL	TON	1,806	1,516			290						
20800150	TRENCH BACKFILL	CU YD	1,365				1,365						
21101615	TOPSOIL FURNISH AND PLACE, 4"	SO YD	23,025				23,025						
21301052	EXPLORATION TRENCH 52" DEPTH	FOOT	500				500						
21400100	GRADING AND SHAPING DITCHES	FOOT	95				95						

* = SPECIALTY ITEMS + = NON PARTICIPATING ITEMS

USER NAME = 35361	DESIGNED - JB	REVISED -
DRAWN - SD	REVISED -	
CHECKED - JC	REVISED -	
DATE - 03-12-2015	REVISED -	

STATE OF ILLINOIS
DEPARTMENT OF TRANSPORTATION

SUMMARY OF QUANTITIES 1

SCALE: N/A SHEET 1 OF 24 SHEETS STA. TO STA.

F.A.P. RTE.	SECTION	COUNTY	TOTAL SHEETS	SHEET NO.
17	104B-2	CARROLL/JACKSON	528	7
FED. ROAD DIST. NO.			ILLINOIS FED. AID PROJECT	
			CONTRACT NO. 64059	

FILE NAME = c:\pwworking\111\mst\136381\dms\84185\120111500_228.dgn

CODE NO.	ITEM	UNIT	TOTAL QUANTITY	RURAL - CONSTRUCTION CODE - NHPP FUNDS									
				IOWA 100% STATE			ILLINOIS 80% FED / 20% STATE				CITY OF SAVANNA 100%		
				ROADWAY 0004	BRIDGE 0011	BRIDGE LIGHTING 0021	ROADWAY 0004	BRIDGE 0011	BRIDGE LIGHTING 0021	RETAINING WALL 0040	ROADWAY LIGHTING 0021	UTILITIES 0043	
* 25000100	SEEDING, CLASS 1	ACRE	1.75				1.75						
* 25000312	SEEDING, CLASS 4A	ACRE	2.50				2.50						
* 25000400	NITROGEN FERTILIZER NUTRIENT	POUND	413				413						
* 25000500	PHOSPHORUS FERTILIZER NUTRIENT	POUND	413				413						
* 25000600	POTASSIUM FERTILIZER NUTRIENT	POUND	413				413						
+ 25000750	MOWING	ACRE	7.50				7.50						
25100125	MULCH, METHOD 3	ACRE	8.00				8.00						
25100630	EROSION CONTROL BLANKET	SQ YD	5,961				5,961						
25100900	TURF REINFORCEMENT MAT	SQ YD	11,653				11,653						
* 25200110	SODDING, SALT TOLERANT	SQ YD	2,457				2,457						
* 25200200	SUPPLEMENTAL WATERING	UNIT	22.1				22.1						
28000250	TEMPORARY EROSION CONTROL SEEDING	POUND	3,517				3,517						
28000305	TEMPORARY DITCH CHECKS	FOOT	30				30						
28000400	PERIMETER EROSION BARRIER	FOOT	4,843				4,843						

* = SPECIALTY ITEMS + = NON PARTICIPATING ITEMS (100% State)

FILE NAME: c:\pwworking\Illinois\36361\dms\84029\2011\300_202.dgn

USER NAME = 39361	DESIGNED - JB	REVISED -
PLOT SCALE = 2.0000' / 1" =	DRAWN - SD	REVISED -
PLOT DATE = 3/20/2015	CHECKED - JC	REVISED -
	DATE - 03-12-2015	REVISED -

**STATE OF ILLINOIS
DEPARTMENT OF TRANSPORTATION**

SUMMARY OF QUANTITIES 2

SCALE: N/A SHEET 2 OF 24 SHEETS STA. TO STA.

P.A.P. RTE.	SECTION	COUNTY	TOTAL SHEETS	SHEET NO.
17	104B-2	CARROLL/JACKSON	528	8
FED. ROAD DIST. NO.			ILLINOIS FED. AID PROJECT	
CONTRACT NO. 64059				

CODE NO.	ITEM	UNIT	TOTAL QUANTITY	RURAL - CONSTRUCTION CODE - NHPP FUNDS									
				IOWA 100% STATE			ILLINOIS 60% FED / 20% STATE			CITY OF SAVANNA 100%			
				ROADWAY	BRIDGE	BRIDGE LIGHTING	ROADWAY	BRIDGE	BRIDGE LIGHTING	RETAINING WALL	ROADWAY LIGHTING	UTILITIES	
				0004	0011	0021	0004	0011	0021	0040	0021	0043	
28000500	INLET AND PIPE PROTECTION	EACH	37	2			35						
28100107	STONE RIPRAP, CLASS A4	SQ YD	681		340.5			340.5					
28100109	STONE RIPRAP, CLASS A5	SQ YD	10,467	7,603	779		1,306	779					
28100201	STONE RIPRAP, CLASS A1	TON	2,403	2,403									
28100209	STONE RIPRAP, CLASS A5	TON	18,011	18,011									
28200200	FILTER FABRIC	SQ YD	14,668	10,990	1,119.5		1,439	1,119.5					
28500400	ARTICULATED BLOCK REVETMENT MAT	SQ YD	444				444						
30300112	AGGREGATE SUBGRADE IMPROVEMENT 12"	SQ YD	23,371	9,721			13,650						
30300124	AGGREGATE SUBGRADE IMPROVEMENT 24"	SQ YD	1,244				1,244						
31101900	SUBBASE GRANULAR MATERIAL, TYPE C	TON	367				367						
35102000	AGGREGATE BASE COURSE, TYPE B 8"	SQ YD	166				166						
40200800	AGGREGATE SURFACE COURSE, TYPE B	TON	374				374.0						
40201000	AGGREGATE FOR TEMPORARY ACCESS	TON	241				241.0						
40600275	BITUMINOUS MATERIALS (PRIME COAT)	POUND	106,523	37,085			69,438						

* = SPECIALTY ITEMS + = NON PARTICIPATING ITEMS

USER NAME * 35361	DESIGNED - JB	REVISED -
DRAWN - SD	CHECKED - JC	REVISED -
PLOT SCALE * 2.0000 "/ IN.	DATE - 03-12-2015	REVISED -
PLOT DATE * 3/20/2015		

STATE OF ILLINOIS
DEPARTMENT OF TRANSPORTATION

SUMMARY OF QUANTITIES 3

SCALE: N/A SHEET 3 OF 24 SHEETS STA. TO STA.

F.A.P. RATE	SECTION	COUNTY	TOTAL SHEETS	SHEET NO.
17	104B-2	CARROLL/JACKSON	528	9
FED. ROAD DIST. NO.			ILLINOIS FED. AID PROJECT	
			CONTRACT NO. 64059	

FILE NAME * c:\pwworking\illinois\35361\dmr\84185\2011500_203.dgn

CODE NO.	ITEM	UNIT	TOTAL QUANTITY	RURAL - CONSTRUCTION CODE - NHPP FUNDS								CITY OF SAVANNA 100% UTILITIES 0043
				IOWA 100% STATE			ILLINOIS 80% FED / 20% STATE					
				ROADWAY 0004	BRIDGE 0011	BRIDGE LIGHTING 0021	ROADWAY 0004	BRIDGE 0011	BRIDGE LIGHTING 0021	RETAINING WALL 0040	ROADWAY LIGHTING 0021	
40603310	HOT-MIX ASPHALT SURFACE COURSE, MIX "C", N50	TON	367				367					
40701871	HOT-MIX ASPHALT PAVEMENT (FULL-DEPTH), 9 1/2"	SQ YD	4,275	4,275								
40701876	HOT-MIX ASPHALT PAVEMENT (FULL-DEPTH), 9 3/4"	SQ YD	8,461				8,461					
40800050	INCIDENTAL HOT-MIX ASPHALT SURFACING	TON	19				19					
42001300	PROTECTIVE COAT	SQ YD	1,931	112			1,819					
42001430	BRIDGE APPROACH PAVEMENT CONNECTOR (FLEXIBLE)	SQ YD	777	240			537					
42300300	PORTLAND CEMENT CONCRETE DRIVEWAY PAVEMENT, 7 INCH	SQ YD	470				470					
42400200	PORTLAND CEMENT CONCRETE SIDEWALK 5 INCH	SQ FT	3,387				3,387					
42400800	DETECTABLE WARNINGS	SQ FT	57				57					
44000100	PAVEMENT REMOVAL	SQ YD	10,827	3,943			6,884					
44000200	DRIVEWAY PAVEMENT REMOVAL	SQ YD	2,333				2,333					
44000500	COMBINATION CURB AND GUTTER REMOVAL	FOOT	2,696				2,696					
44000600	SIDEWALK REMOVAL	SQ FT	3,078				3,078					
44004250	PAVED SHOULDER REMOVAL	SQ YD	3,131	2,080			1,051					

* = SPECIALTY ITEMS + = NON PARTICIPATING ITEMS

USER NAME : J35361	DESIGNED - JB	REVISED -
PLOT SCALE : 2,0000' / 1"	DRAWN - SQ	REVISED -
PLOT DATE : 3/20/2015	CHECKED - JC	REVISED -
	DATE - 03-12-2015	REVISED -

STATE OF ILLINOIS
DEPARTMENT OF TRANSPORTATION

SUMMARY OF QUANTITIES 4

F.A.P. RTE.	SECTION	COUNTY	TOTAL SHEETS	SHEET NO.
17	1D48-2	CARROLL/JACKSON	528	10
CONTRACT NO. 64C59				
SCALE: N/A		SHEET 4 OF 24 SHEETS		STA. TO STA.
FED. ROAD DIST. NO.		ILLINOIS FED. AID PROJECT		

FILE NAME : c:\pwworking\illinois\35361\m-e-6109\2011\500_284.dgn

CODE NO.	ITEM	UNIT	TOTAL QUANTITY	RURAL - CONSTRUCTION CODE - NHPP FUNDS									
				IOWA 100% STATE			ILLINOIS 80% FED / 20% STATE					CITY OF SAVANNA 100%	
				ROADWAY	BRIDGE	BRIDGE LIGHTING	ROADWAY	BRIDGE	BRIDGE LIGHTING	RETAINING WALL	ROADWAY LIGHTING	UTILITIES	
				0004	0011	0021	0004	0011	0021	0040	0021	0043	
50300225	CONCRETE STRUCTURES	CU YD	8,759.9		3,786.55			3,786.55			1,186.8		
50300255	CONCRETE SUPERSTRUCTURE	CU YD	3717		1832.75		51.5	1832.75					
50300260	BRIDGE DECK GROOVING	SQ YD	10,807		5,403.5			5,403.5					
50300265	SEAL COAT CONCRETE	CU YD	674.2		337.1			337.1					
50300280	CONCRETE ENCASEMENT	CU YD	8		4			4					
50300285	FORM LINER TEXTURED SURFACE	SQ FT	25,352								25,352		
50300300	PROTECTIVE COAT	SQ YD	16,487		6,774		122	6,774			2,817		
50500105	FURNISHING AND ERECTING STRUCTURAL STEEL	L SUM	1		0.5			0.5					
50500505	STUD SHEAR CONNECTORS	EACH	48,473		18,499.5			18,499.5			11,474		
50800105	REINFORCEMENT BARS	POUND	975,181		487,575		31	487,575					
50800205	REINFORCEMENT BARS, EPOXY COATED	POUND	2,105,460		938,465		7,360	938,465			221,170		
50800515	BAR SPLICERS	EACH	98		49			49					
50800530	MECHANICAL SPLICERS	EACH	1,696		848			848					
51200959	FURNISHING METAL SHELL PILES 14" X 0.312"	FOOT	9,318		4,659			4,659					

* = SPECIALTY ITEMS + = NON PARTICIPATING ITEMS

REV.

USER NAME = 35361	DESIGNED - JB	REVISED -
DRAWN - SO	CHECKED - JC	REVISED -
PLOT SCALE = 2.0000 "/>	DATE - 03-12-2015	REVISED -

STATE OF ILLINOIS
DEPARTMENT OF TRANSPORTATION

SUMMARY OF QUANTITIES 6

SCALE: N/A SHEET 6 OF 24 SHEETS STA. TO STA.

F.A.P. RTE.	SECTION	COUNTY	TOTAL SHEETS	SHEET NO.
17	104B-2	CARRROLL/JACKSON	528	12
FED. ROAD DIST. NO.			ILLINOIS FED. AID PROJECT	
CONTRACT NO. 64059				

FILE NAME = c:\p\working\illinois\35361\enr\84125\20111500_205.dgn

CODE NO.	ITEM	UNIT	TOTAL QUANTITY	RURAL - CONSTRUCTION CODE - NHPP FUNDS								
				IOWA 100% STATE			ILLINOIS 80% FED / 20% STATE				CITY OF SAVANNA 100%	
				ROADWAY 0004	BRIDGE 0011	BRIDGE LIGHTING 0021	ROADWAY 0004	BRIDGE 0011	BRIDGE LIGHTING 0021	RETAINING WALL 0040	ROADWAY LIGHTING 0021	UTILITIES 0043
51201600	FURNISHING STEEL PILES HP12X53	FOOT	441		220.5			220.5				
51202305	DRIVING PILES	FOOT	9,759		4,879.5			4,879.5				
51203200	TEST PILE METAL SHELLS	EACH	10		5			5				
51203600	TEST PILE STEEL HP12X53	EACH	2		1			1				
51204650	PILE SHOES	EACH	23		11.5			11.5				
51500100	NAME PLATES	EACH	2		0.5			0.5		1		
51602000	PERMANENT CASING	FOOT	2,191		1,095.5			1,095.5				
51603000	DRILLED SHAFT IN SOIL	CU YD	3959.7		1979.85			1979.85				
* 51604000	DRILLED SHAFT IN ROCK	CU YD	690.3		345.15			345.15				
52000110	PREFORMED JOINT STRIP SEAL	FOOT	99.5		49.75			49.75				
52100010	ELASTOMERIC BEARING ASSEMBLY, TYPE I	EACH	96		48			48				
52100020	ELASTOMERIC BEARING ASSEMBLY, TYPE II	EACH	14		7			7				
52100510	ANCHOR BOLTS, 3/4"	EACH	168		84			84				
52100530	ANCHOR BOLTS, 1 1/4"	EACH	52		26			26				

* = SPECIALTY ITEMS + = NON PARTICIPATING ITEMS

FILE NAME: c:\pwworking\illinois\35351\pwworking\35351\1500_207.dgn

USER NAME - 35361	DESIGNED - JB	REVISED -
PLOT SCALE - 2.0000" = 1'	DRAWN - SO	REVISED -
PLOT DATE - 3/20/2015	CHECKED - JC	REVISED -
	DATE - 03-12-2015	REVISED -

**STATE OF ILLINOIS
DEPARTMENT OF TRANSPORTATION**

SUMMARY OF QUANTITIES 7

SCALE: N/A SHEET 7 OF 24 SHEETS STA. TO STA.

F.A.P. RTE. 17	SECTION 104B-2	COUNTY CARROLL/JACKSON	TOTAL SHEETS 528	SHEET NO. 13
CONTRACT NO. 64059				
FED. ROAD DIST. NO. ILLINOIS FED. AID PROJECT				

REV.

CODE NO.	ITEM	UNIT	TOTAL QUANTITY	RURAL - CONSTRUCTION CODE - NHPP FUNDS								
				IOWA 100% STATE			ILLINOIS 80% FED / 20% STATE				CITY OF SAVANNAH 100%	
				ROADWAY 0004	BRIDGE 0011	BRIDGE LIGHTING 0021	ROADWAY 0004	BRIDGE 0011	BRIDGE LIGHTING 0021	RETAINING WALL 0040	ROADWAY LIGHTING 0021	UTILITIES 0043
52100540	ANCHOR BOLTS, 1 1/2"	EACH	48		24			24				
52100560	ANCHOR BOLTS, 2"	EACH	20		10			10				
54002070	EXPANSION BOLTS 3/4 INCH X 15 INCH	EACH	4				4					
54213447	END SECTIONS 12"	EACH	1	1								
54244405	FLUSH INLET BOX FOR MEDIAN, STANDARD 542546	EACH	1				1					
54248510	CONCRETE COLLAR	CU YD	1				1					
54260311	TRAVERSABLE PIPE GRATE	FOOT	62				62					
54261315	CONCRETE END SECTION, STANDARD 542001, 15", 1:3	EACH	1				1					
54261318	CONCRETE END SECTION, STANDARD 542001, 18", 1:3	EACH	1				1					
54261324	CONCRETE END SECTION, STANDARD 542001, 24", 1:3	EACH	1				1					
54261336	CONCRETE END SECTION, STANDARD 542001, 36", 1:3	EACH	2				2					
54261354	CONCRETE END SECTION, STANDARD 542001, 54", 1:3	EACH	1				1					
550A0050	STORM SEWERS, CLASS A, TYPE 1 12"	FOOT	30	30								
550A0070	STORM SEWERS, CLASS A, TYPE 1 15"	FOOT	95				95					

* = SPECIALTY ITEMS + = NON PARTICIPATING ITEMS

USER NAME : 35361	DESIGNED - JB	REVISED -
DRAWN - SD	CHECKED - JC	REVISED -
PLOT SCALE : 2.0000 "/ in.	DATE - 03-12-2015	REVISED -
PLOT DATE : 3/20/2015		

STATE OF ILLINOIS
DEPARTMENT OF TRANSPORTATION

SUMMARY OF QUANTITIES 8

SCALE: N/A SHEET 8 OF 24 SHEETS STA. TO STA.

F.A.P. RTE.	SECTION	COUNTY	TOTAL SHEETS	SHEET NO.
17	1048-2	CARROLL/JACKSON	528	14
CONTRACT NO. 64059				
FED. ROAD DIST. NO. ILLINOIS FED. AID PROJECT				

FILE NAME : c:\pwworking\111\road\35361\jms\84195_720111500_2015.dgn

CODE NO.	ITEM	UNIT	TOTAL QUANTITY	RURAL - CONSTRUCTION CODE - NHPP FUNDS								CITY OF SAVANNA 100% UTILITIES 0043
				IOWA 100% STATE			ILLINOIS 80% FED / 20% STATE					
				ROADWAY 0004	BRIDGE 0011	BRIDGE LIGHTING 0021	ROADWAY 0004	BRIDGE 0011	BRIDGE LIGHTING 0021	RETAINING WALL 0040	ROADWAY LIGHTING 0021	
550A0120	STORM SEWERS, CLASS A, TYPE 1 24"	FOOT	23				23					
550A0340	STORM SEWERS, CLASS A, TYPE 2 12"	FOOT	165				165					
550A0360	STORM SEWERS, CLASS A, TYPE 2 15"	FOOT	509				509					
550A0380	STORM SEWERS, CLASS A, TYPE 2 18"	FOOT	883				883					
550A0410	STORM SEWERS, CLASS A, TYPE 2 24"	FOOT	796				796					
550A0450	STORM SEWERS, CLASS A, TYPE 2 36"	FOOT	58				58					
550A0490	STORM SEWERS, CLASS A, TYPE 2 54"	FOOT	78				78					
55100500	STORM SEWER REMOVAL 12"	FOOT	28				28					
55100900	STORM SEWER REMOVAL 18"	FOOT	75				75					
55101900	STORM SEWER REMOVAL 48"	FOOT	236				236					
56100600	WATER MAIN 6"	FOOT	50									50
56100700	WATER MAIN 8"	FOOT	30									30
56200200	WATER SERVICE LINE 3/4"	FOOT	122									122
56400500	FIRE HYDRANTS TO BE REMOVED	EACH	1									1

* = SPECIALTY ITEMS + = NON PARTICIPATING ITEMS

FILE NAME: c:\pwworking\illinois\35351\dms\84185\28111500_283.dgn

USER NAME = J5351	DESIGNED - JB	REVISED -
DRAWN - SD	CHECKED - JC	REVISED -
PLOT SCALE = 2,0000' / 1" =	DATE - 03-12-2015	REVISED -
PLOT DATE = 3/20/2015		

STATE OF ILLINOIS
DEPARTMENT OF TRANSPORTATION

SUMMARY OF QUANTITIES 9			
SCALE: N/A	SHEET 9 OF 24 SHEETS	STA.	TO STA.

F.A.P. RTE.	SECTION	COUNTY	TOTAL SHEETS	SHEET NO.
17	104B-2	CARROLL/JACKSON	528	15
CONTRACT NO. 64059				
FED. ROAD DIST. NO. ILLINOIS FED. AID PROJECT				

CODE NO.	ITEM	UNIT	TOTAL QUANTITY	RURAL - CONSTRUCTION CODE - NHPP FUNDS											
				IOWA 100% STATE			ILLINOIS 80% FED / 20% STATE					CITY OF SAVANNA 100%			
				ROADWAY 0004	BRIDGE 0011	BRIDGE LIGHTING 0021	ROADWAY 0004	BRIDGE 0011	BRIDGE LIGHTING 0021	RETAINING WALL 0040	ROADWAY LIGHTING 0021	UTILITIES 0043			
56400600	FIRE HYDRANTS	EACH	1												1
58700300	CONCRETE SEALER	SQ FT	20,218		10,109			10,109							
59100100	GEOCOMPOSITE WALL DRAIN	SQ YD	1,564		89			89		1,386					
60100080	FRENCH DRAINS	CU YD	6				6								
60100945	PIPE DRAINS 12"	FOOT	11	11											
60107600	PIPE UNDERDRAINS 4"	FOOT	2,198				2,198								
60108100	PIPE UNDERDRAINS 4" (SPECIAL)	FOOT	174				174								
60218400	MANHOLES, TYPE A, 4' -DIAMETER, TYPE 1 FRAME, CLOSED LID	EACH	13				13								
60221100	MANHOLES, TYPE A, 5' -DIAMETER, TYPE 1 FRAME, CLOSED LID	EACH	1				1								
60224459	MANHOLES, TYPE A, 8' -DIAMETER, TYPE 1 FRAME, CLOSED LID	EACH	1				1								
60224469	MANHOLES, TYPE A, 9' -DIAMETER, TYPE 1 FRAME, CLOSED LID	EACH	2				2								
60266600	VALVE BOXES TO BE ADJUSTED	EACH	4				4								
60500060	REMOVING INLETS	EACH	4				4								
60605000	COMBINATION CONCRETE CURB AND GUTTER, TYPE B-6.24	FOOT	1,206.5				1,206.5								

* = SPECIALTY ITEMS + = NON PARTICIPATING ITEMS

FILE NAME : c:\pwworking\Illinois\38361\dms\8485\28411590_218.dgn

USER NAME : 39361	DESIGNED - JB	REVISED -
	DRAWN - SO	REVISED -
PLOT SCALE : 2.0000' / 1"	CHECKED - JC	REVISED -
PLOT DATE : 3/20/2015	DATE - 03-12-2015	REVISED -

**STATE OF ILLINOIS
DEPARTMENT OF TRANSPORTATION**

SUMMARY OF QUANTITIES 10

SCALE: N/A SHEET 10 OF 24 SHEETS STA. TO STA.

F.A.P. RTE.	SECTION	COUNTY	TOTAL SHEETS	SHEET NO.
17	104B-2	CARROLL/JACKSON	528	16
FED. ROAD DIST. NO. [ILLINOIS] FED. AID PROJECT			CONTRACT NO. 64059	

CODE NO.	ITEM	UNIT	TOTAL QUANTITY	RURAL - CONSTRUCTION CODE - NHPP FUNDS							CITY OF SAVANNA 100% UTILITIES 0043	
				IOWA 100% STATE			ILLINOIS 80% FED / 20% STATE					
				ROADWAY 0004	BRIDGE 0011	BRIDGE LIGHTING 0021	ROADWAY 0004	BRIDGE 0011	BRIDGE LIGHTING 0021	RETAINING WALL 0040		ROADWAY LIGHTING 0021
60608582	COMBINATION CONCRETE CURB AND GUTTER, TYPE M-4.24	FOOT	1,882.5				1,882.5					
60615400	PAVED DITCH, TYPE A-15	FOOT	47				47					
60622320	CONCRETE MEDIAN, TYPE SM-4.24	SO FT	1,008	1,008								
60900515	CONCRETE THRUST BLOCKS	EACH	12								12	
* 63000001	STEEL PLATE BEAM GUARDRAIL, TYPE A, 6 FOOT POSTS	FOOT	3,587.5	2,800.0			787.5					
* 63000009	STEEL PLATE BEAM GUARDRAIL, TYPE B, 9 FOOT POSTS	FOOT	250.0				250.0					
* 63000370	LONG-SPAN GUARDRAIL OVER CULVERT, 25 FT SPAN	FOOT	350	350								
* 63100045	TRAFFIC BARRIER TERMINAL, TYPE 2	EACH	1				1					
* 63100085	TRAFFIC BARRIER TERMINAL, TYPE 6	EACH	4	2			2					
* 63100167	TRAFFIC BARRIER TERMINAL, TYPE 1 (SPECIAL) TANGENT	EACH	2				2					
63200310	GUARDRAIL REMOVAL	FOOT	4,158	2,948			1,210					
66600105	FURNISHING AND ERECTING RIGHT OF WAY MARKERS	EACH	2				2					
66700305	PERMANENT SURVEY MARKERS, TYPE II	EACH	2	1			1					
* 66900200	NON-SPECIAL WASTE DISPOSAL	CU YD	7400				7400					

* = SPECIALTY ITEMS + = NON PARTICIPATING ITEMS

Rev.

USER NAME : J5361	DESIGNED - JB	REVISED -
PLOT SCALE : 2,0000 "/ in.	DRAWN - SD	REVISED -
PLOT DATE : 3/20/2015	CHECKED - JC	REVISED -
	DATE - 03-12-2015	REVISED -

STATE OF ILLINOIS
DEPARTMENT OF TRANSPORTATION

SUMMARY OF QUANTITIES 11

SCALE: N/A SHEET 11 OF 24 SHEETS STA. TO STA.

F.A.P RTEL 17	SECTION 104B-2	COUNTY CARROLL/JACKSON	TOTAL SHEETS 528	SHEET NO. 17
FED. ROAD DIST. NO.			ILLINOIS FED. AID PROJECT CONTRACT NO. 64059	

FILE NAME : c:\pwworking\Illinois\35361\Drawings\104B-2\104B-211.dgn

CODE NO.	ITEM	UNIT	TOTAL QUANTITY	RURAL - CONSTRUCTION CODE - NHPP FUNDS								CITY OF SAVANNA 100% UTILITIES 0043
				IOWA 100% STATE			ILLINOIS 80% FED / 20% STATE					
				ROADWAY 0004	BRIDGE 0011	BRIDGE LIGHTING 0021	ROADWAY 0004	BRIDGE 0011	BRIDGE LIGHTING 0021	RETAINING WALL 0040	ROADWAY LIGHTING 0021	
66900205	SPECIAL WASTE DISPOSAL	CU YD										
66900210	HAZARDOUS WASTE DISPOSAL	CU YD										
* 66900450	SPECIAL WASTE PLANS AND REPORTS	L SUM	1				1					
* 66900530	SOIL DISPOSAL ANALYSIS	EACH	6				6					
67000400	ENGINEER'S FIELD OFFICE, TYPE A	CAL MO	30				30					
67000600	ENGINEER'S FIELD LABORATORY	CAL MO	30				30					
67100100	MOBILIZATION	L SUM	1	0.5			0.5					
70100100	TRAFFIC CONTROL AND PROTECTION, STANDARD 701316	EACH	5	2.0			3.0					
70100200	TRAFFIC CONTROL AND PROTECTION, STANDARD 701331	EACH	5	1.0			4.0					
70100450	TRAFFIC CONTROL AND PROTECTION, STANDARD 701201	L SUM	1	0.5			0.5					
70100500	TRAFFIC CONTROL AND PROTECTION, STANDARD 701326	L SUM	1	0.5			0.5					
70102620	TRAFFIC CONTROL AND PROTECTION, STANDARD 701501	L SUM	1				1					
70102635	TRAFFIC CONTROL AND PROTECTION, STANDARD 701701	L SUM	1				1					
70102640	TRAFFIC CONTROL AND PROTECTION, STANDARD 701801	L SUM	1				1					

* = SPECIALTY ITEMS + = NON PARTICIPATING ITEMS

FILE NAME: c:\pwworking\illinois\2015\111500-212.dgn

USER NAME : 05361	DESIGNED - JB	REVISED -
PLOT SCALE : 2.0000' / 1"	DRAWN - SO	REVISED -
PLOT DATE : 3/20/2015	CHECKED - JC	REVISED -
	DATE - 03-12-2015	REVISED -

STATE OF ILLINOIS
DEPARTMENT OF TRANSPORTATION

SUMMARY OF QUANTITIES 12			
SCALE: N/A	SHEET 12	OF 24 SHEETS	STA. TO STA.

F.A.P. RTE. 17	SECTION 104B-2	COUNTY CARROLL/JACKSON	TOTAL SHEETS 528	SHEET NO. 18
CONTRACT NO. 64C59				
ILLINOIS FED. AID PROJECT				

Rev.

CODE NO.	ITEM	UNIT	TOTAL QUANTITY	RURAL - CONSTRUCTION CODE - NHPP FUNDS									
				IOWA 100% STATE			ILLINOIS 80% FED / 20% STATE				CITY OF SAVANNA 100%		
				ROADWAY 0004	BRIDGE 0011	BRIDGE LIGHTING 0021	ROADWAY 0004	BRIDGE 0011	BRIDGE LIGHTING 0021	RETAINING WALL 0040	ROADWAY LIGHTING 0021	UTILITIES 0043	
70103815	TRAFFIC CONTROL SURVEILLANCE	CAL DA	175	75			100						
70106500	TEMPORARY BRIDGE TRAFFIC SIGNALS	EACH	5	2			3						
70106700	TEMPORARY RUMBLE STRIPS	EACH	12	6			6						
70106800	CHANGEABLE MESSAGE SIGN	CAL MO	9	3			6						
70300100	SHORT TERM PAVEMENT MARKING	FOOT	1,464	248			1,216						
70300220	TEMPORARY PAVEMENT MARKING - LINE 4"	FOOT	52,208	16,678			35,530						
70300280	TEMPORARY PAVEMENT MARKING - LINE 24"	FOOT	287	79			208						
70301000	WORK ZONE PAVEMENT MARKING REMOVAL	SQ FT	17,781	5,664			12,117						
70400100	TEMPORARY CONCRETE BARRIER	FOOT	1,525	1,012.5			512.5						
70400200	RELOCATE TEMPORARY CONCRETE BARRIER	FOOT	612.5				612.5						
70500100	TEMPORARY STEEL PLATE BEAM GUARDRAIL, TYPE A	FOOT	337	337									
70500615	TEMPORARY TRAFFIC BARRIER TERMINAL, TYPE 1	EACH	3	3									
70500690	TEMPORARY TRAFFIC BARRIER TERMINAL, TYPE 11	EACH	3	3									
70600240	IMPACT ATTENUATORS, TEMPORARY (NON- REDIRECTIVE), TEST LEVEL 2	EACH	1				1						

* = SPECIALTY ITEMS + = NON PARTICIPATING ITEMS

FILE NAME : c:\p\work\king\illinois\35361\sum84195-128111590-213.dgn

USER NAME : 35361	DESIGNED - JB	REVISED -
PLOT SCALE : 2,0000' / 1" =	DRAWN - SO	REVISED -
PLOT DATE : 3/20/2015	CHECKED - JC	REVISED -
	DATE - 03-12-2015	REVISED -

**STATE OF ILLINOIS
DEPARTMENT OF TRANSPORTATION**

SUMMARY OF QUANTITIES 13			
SCALE: N/A	SHEET 13 OF 24 SHEETS	STA.	TO STA.

F.A.P. RTE. 17	SECTION 104B-2	COUNTY CARROLL/JACKSON	TOTAL SHEETS 528	SHEET NO. 19
FED. ROAD DIST. NO.		ILLINOIS FED. AID PROJECT CONTRACT NO. 64059		

CODE NO.	ITEM	UNIT	TOTAL QUANTITY	RURAL - CONSTRUCTION CODE - NHPP FUNDS									
				IOWA 100% STATE			ILLINOIS 80% FED / 20% STATE				CITY OF SAVANNAH 100%		
				ROADWAY 0004	BRIDGE 0011	BRIDGE LIGHTING 0021	ROADWAY 0004	BRIDGE 0011	BRIDGE LIGHTING 0021	RETAINING WALL 0040	ROADWAY LIGHTING 0021	UTILITIES 0043	
70600255	IMPACT ATTENUATORS, TEMPORARY (FULLY REDIRECTIVE, NARROW), TEST LEVEL 2	EACH	3				3						
70600260	IMPACT ATTENUATORS, TEMPORARY (FULLY REDIRECTIVE, NARROW), TEST LEVEL 3	EACH	1				1						
70600322	IMPACT ATTENUATORS, RELOCATE (FULLY REDIRECTIVE, NARROW), TEST LEVEL 2	EACH	4	1			3						
70600332	IMPACT ATTENUATORS, RELOCATE (FULLY REDIRECTIVE, NARROW), TEST LEVEL 3	EACH	3	1			2						
70600340	IMPACT ATTENUATORS, RELOCATE (NON- REDIRECTIVE), TEST LEVEL 2	EACH	1				1						
* 72000100	SIGN PANEL - TYPE 1	SO FT	506	138			368						
* 72000200	SIGN PANEL - TYPE 2	SO FT	148	61			87						
* 72400100	REMOVE SIGN PANEL ASSEMBLY - TYPE A	EACH	45	28			17						
* 72400200	REMOVE SIGN PANEL ASSEMBLY - TYPE B	EACH	17	1			16						
* 72800100	TELESCOPING STEEL SIGN SUPPORT	FOOT	784	266			518						
* 73000100	WOOD SIGN SUPPORT	FOOT	210	70			140						
* 73100100	BASE FOR TELESCOPING STEEL SIGN SUPPORT	EACH	2	2									
* 78008200	POLYUREA PAVEMENT MARKING TYPE I - LETTERS AND SYMBOLS	SO FT	117	5			112						
* 78008210	POLYUREA PAVEMENT MARKING TYPE I - LINE 4"	FOOT	25,910	5,729			20,181						

* = SPECIALTY ITEMS + = NON PARTICIPATING ITEMS

FILE NAME: c:\pwworking\illinois\35361\dms\8185\28011800_214.dgn

USER NAME = 35361	DESIGNED - JB	REVISED -
DRAWN - SO	CHECKED - JC	REVISED -
PLOT SCALE = 2.0000 "/>		
PLOT DATE = 3/20/2015	DATE - 03-12-2015	REVISED -

STATE OF ILLINOIS
DEPARTMENT OF TRANSPORTATION

SUMMARY OF QUANTITIES 14

SCALE: N/A SHEET 14 OF 24 SHEETS STA. TO STA.

F.A.P. RTE.	SECTION	COUNTY	TOTAL SHEETS	SHEET NO.
17	104B-2	CARROLL/JACKSON	528	20
FED. ROAD DIST. NO.		ILLINOIS FED. AID PROJECT		
		CONTRACT NO. 64059		

CODE NO.	ITEM	UNIT	TOTAL QUANTITY	RURAL - CONSTRUCTION CODE - NHPP FUNDS									
				IOWA 100% STATE			ILLINOIS 80% FED / 20% STATE				CITY OF SAVANNA 100%		
				ROADWAY 0004	BRIDGE 0011	BRIDGE LIGHTING 0021	ROADWAY 0004	BRIDGE 0011	BRIDGE LIGHTING 0021	RETAINING WALL 0040	ROADWAY LIGHTING 0021	UTILITIES 0043	
78008240	POLYUREA PAVEMENT MARKING TYPE I - LINE 8"	FOOT	251				251						
78008250	POLYUREA PAVEMENT MARKING TYPE I - LINE 12"	FOOT	677				677						
78008270	POLYUREA PAVEMENT MARKING TYPE I - LINE 24"	FOOT	129				129						
78100100	RAISED REFLECTIVE PAVEMENT MARKER	EACH	85				85						
78200300	PRISMATIC CURB REFLECTOR	EACH	16	16									
78200420	GUARDRAIL MARKERS, TYPE B	EACH	65	50			15						
78200520	BARRIER WALL MARKERS, TYPE B	EACH	62		31			31					
78201000	TERMINAL MARKER - DIRECT APPLIED	EACH	5	3			2						
78300100	PAVEMENT MARKING REMOVAL	SQ FT	3,412	419			2,993						
80400100	ELECTRIC SERVICE INSTALLATION	EACH	1			0.5			0.5				
81028770	UNDERGROUND CONDUIT, COILABLE NONMETALLIC CONDUIT, 3" DIA.	FOOT	240			120			120				
81100500	CONDUIT ATTACHED TO STRUCTURE, 1 1/2" DIA., GALVANIZED STEEL	FOOT	3,330			1,665			1,665				
81200230	CONDUIT EMBEDDED IN STRUCTURE, 2" DIA., PVC	FOOT	3,835			1,917.5			1,917.5				
81300520	JUNCTION BOX, STAINLESS STEEL, ATTACHED TO STRUCTURE, 12" X 8" X 6"	EACH	26			13			13				

* = SPECIALTY ITEMS + = NON PARTICIPATING ITEMS

FILE NAME = c:\pwworking\illinois\35381\dms\04185\20011500_215.dgn

USER NAME = 35361	DESIGNED - JB	REVISED -
	DRAWN - SO	REVISED -
PLOT SCALE = 2,0000' / 1" =	CHECKED - JC	REVISED -
PLOT DATE = 3/20/2015	DATE - 03-12-2015	REVISED -

**STATE OF ILLINOIS
DEPARTMENT OF TRANSPORTATION**

SUMMARY OF QUANTITIES 15

SCALE: N/A SHEET 15 OF 24 SHEETS STA. TO STA.

F.A.P. RTE. 17	SECTION 104B-2	COUNTY CARROLL/JACKSON	TOTAL SHEETS 528	SHEET NO. 21
FED. ROAD DIST. NO. ILLINOIS FED. AID PROJECT			CONTRACT NO. 64059	

CODE NO.	ITEM	UNIT	TOTAL QUANTITY	RURAL - CONSTRUCTION CODE - NHPP FUNDS								
				IOWA 100% STATE			ILLINOIS 80% FED / 20% STATE				CITY OF SAVANNAH 100%	
				ROADWAY 0004	BRIDGE 0011	BRIDGE LIGHTING 0021	ROADWAY 0004	BRIDGE 0011	BRIDGE LIGHTING 0021	RETAINING WALL 0040	ROADWAY LIGHTING 0021	UTILITIES 0043
81300530	JUNCTION BOX, STAINLESS STEEL, ATTACHED TO STRUCTURE, 12" X 10" X 6"	EACH	10			5			5			
81300555	JUNCTION BOX, STAINLESS STEEL, ATTACHED TO STRUCTURE, 12" X 12" X 8"	EACH	9			4.5			4.5			
81300720	JUNCTION BOX, STAINLESS STEEL, ATTACHED TO STRUCTURE, 16" X 12" X 8"	EACH	2			1			1			
81603000	UNIT DUCT, 600V, 2-1C NO.8, 1/C NO.8 GROUND, (XLP-TYPE USE), 3/4" DIA. POLYETHYLENE	FOOT	1,500								1,500	
81603040	UNIT DUCT, 600V, 2-1C NO.6, 1/C NO.8 GROUND, (XLP-TYPE USE), 1" DIA. POLYETHYLENE	FOOT	70			35			35			
81603080	UNIT DUCT, 600V, 3-1C NO.2, 1/C NO.4 GROUND, (XLP-TYPE USE), 1 1/4" DIA. POLYETHYLENE	FOOT	250			125			125			
81702120	ELECTRIC CABLE IN CONDUIT, 600V (XLP-TYPE USE) 1/C NO. 8	FOOT	7,580								7,580	
81702130	ELECTRIC CABLE IN CONDUIT, 600V (XLP-TYPE USE) 1/C NO. 6	FOOT	7,720			3,860			3,860			
81702140	ELECTRIC CABLE IN CONDUIT, 600V (XLP-TYPE USE) 1/C NO. 4	FOOT	5,820			2,910			2,910			
81702150	ELECTRIC CABLE IN CONDUIT, 600V (XLP-TYPE USE) 1/C NO. 2	FOOT	3,060			1,530			1,530			
82200605	WATERWAY OBSTRUCTION WARNING LUMINAIRE, LED	EACH	6			3			3			
82500390	LIGHTING CONTROLLER, BASE MOUNTED, 240VOLT, 100AMP (DUAL)	EACH	1			0.5			0.5			
83001200	LIGHT POLE, ALUMINUM, 35 FT. M.H., 6 FT. DAVIT ARM	EACH	14			7			7			
83003600	LIGHT POLE, ALUMINUM, 45 FT. M.H., 15 FT. DAVIT ARM	EACH	9			1			1		7	

* = SPECIALTY ITEMS + = NON PARTICIPATING ITEMS

FILE NAME: c:\pwworking\illinois\35361\dm84195\20011500_216.dgn

USER NAME : 35361	DESIGNED - JB	REVISED -
PLOT SCALE : 2.0000' / 1"	DRAWN - SQ	REVISED -
PLOT DATE : 3/20/2015	CHECKED - JC	REVISED -
	DATE - 03-12-2015	REVISED -

**STATE OF ILLINOIS
DEPARTMENT OF TRANSPORTATION**

SUMMARY OF QUANTITIES 16

SCALE: N/A SHEET 16 OF 24 SHEETS STA. TO STA.

F.A.P. RATE	SECTION	COUNTY	TOTAL SHEETS	SHEET NO.
17	1048-2	CARROLL/JACKSON	528	22
FED. ROAD DIST. NO.		ILLINOIS FED. AID PROJECT		
		CONTRACT NO. 64059		

CODE NO.	ITEM	UNIT	TOTAL QUANTITY	RURAL - CONSTRUCTION CODE - NHPP FUNDS								
				IOWA 100% STATE			ILLINOIS 80% FED / 20% STATE					CITY OF SAVANNA 100%
				ROADWAY 0004	BRIDGE 0011	BRIDGE LIGHTING 0021	ROADWAY 0004	BRIDGE 0011	BRIDGE LIGHTING 0021	RETAINING WALL 0040	ROADWAY LIGHTING 0021	UTILITIES 0043
83600355	LIGHT POLE FOUNDATION, METAL, 15" BOLT CIRCLE, 8" X 6'	EACH	9			4.5			4.5			
83800650	BREAKAWAY DEVICE, COUPLING WITH STAINLESS STEEL SCREEN	EACH	8			4			4			
84200600	REMOVAL OF LIGHTING UNIT, NO SALVAGE	EACH	13			6.5			6.5			
84200804	REMOVAL OF POLE FOUNDATION	EACH	1			0.5			0.5			
84301100	REMOVAL OF NAVIGATION OBSTRUCTION WARNING LIGHTING UNIT	EACH	6			3			3			
84500110	REMOVAL OF LIGHTING CONTROLLER	EACH	1			0.5			0.5			
84500120	REMOVAL OF ELECTRIC SERVICE INSTALLATION	EACH	2	1		0.5			0.5			
A2002314	TREE, BETULA NIGRA (RIVER BIRCH), 1-3/4" CALIPER, BALLED AND BURLAPPED	EACH	27						27			
A2006514	TREE, QUERCUS BICOLOR (SWAMP WHITE OAK), 1-3/4" CALIPER, BALLED AND BURLAPPED	EACH	27						27			
A2006914	TREE, QUERCUS PALUSTRIS (PIN OAK), 1-3/4" CALIPER, BALLED AND BURLAPPED	EACH	27						27			
A2007814	TREE, TILIA AMERICANA (AMERICAN LINDEN/ BASSWOOD), 1-3/4" CALIPER, BALLED AND BURLAPPED	EACH	26						26			
A2C015G3	TREE, BETULA NIGRA (RIVER BIRCH), CONTAINER GROWN, 3-GALLON	EACH	166	166								
A2C040G3	TREE, PLATANUS OCCIDENTALIS (SYCAMORE), CONTAINER GROWN, 3-GALLON	EACH	166	166								
A2C050G3	TREE, QUERCUS BICOLOR (SWAMP WHITE OAK), CONTAINER GROWN, 3-GALLON	EACH	166	166								

* = SPECIALTY ITEMS + = NON PARTICIPATING ITEMS

USER NAME = 35361	DESIGNED - JB	REVISED -
PLOT SCALE = 2,000' / 1" =	DRAWN - SD	REVISED -
PLOT DATE = 3/20/2015	CHECKED - JC	REVISED -
	DATE - 03-12-2015	REVISED -

STATE OF ILLINOIS
DEPARTMENT OF TRANSPORTATION

SUMMARY OF QUANTITIES 17

SCALE: N/A	SHEET 17 OF 24 SHEETS	STA. TO STA.	F.A.P. RTE. 17	SECTION 104B-2	COUNTY CARROLL/JACKSON	TOTAL SHEETS 52B	SHEET NO. 23
			FED. ROAD DIST. NO. [ILLINOIS] FED. AID PROJECT CONTRACT NO. 64059				

FILE NAME = c:\pwworking\illinois\35361\enr\84195\201111300_217.dgn

CODE NO.	ITEM	UNIT	TOTAL QUANTITY	RURAL - CONSTRUCTION CODE - NHPP FUNDS									
				IOWA 100% STATE			ILLINOIS 80% FED / 20% STATE				CITY OF SAVANNAH 100%		
				ROADWAY 0004	BRIDGE 0011	BRIDGE LIGHTING 0021	ROADWAY 0004	BRIDGE 0011	BRIDGE LIGHTING 0021	RETAINING WALL 0040	ROADWAY LIGHTING 0021	UTILITIES 0043	
• C2C01120	SHRUB, CEPHALANTHUS OCCIDENTALIS (BUTTON BUSH), 2' HEIGHT, CONTAINER	EACH	166	166									
• C2C09624	SHRUB, SAMBUCUS CANADENSIS (AMERICAN ELDER), 2' HEIGHT, CONTAINER	EACH	166	166									
X0300864	MAINTENANCE OF NAVIGATION	L SUM	1		0.5			0.5					
X0301847	WATER TRANSPORTATION FOR ENGINEER	CAL MO	30				30						
X0321809	PERMANENT GROUND ANCHOR	EACH	268							268			
X0322024	TRENCH DRAIN	EACH	1				1						
• X0322227	CLOSED CIRCUIT TELEVISION CAMERA SYSTEM	EACH	2				2						
• X0324455	DRILLING AND SETTING SOLDIER PILES (IN SOIL)	CU FT	34,256							34,256			
• X0324456	DRILLING AND SETTING SOLDIER PILES (IN ROCK)	CU FT	24,003							24,003			
X0325366	STORM SEWER REPAIR	FOOT	3				3						
• X0326498	GFCI 20 AMP DUPLEX RECEPTACLE	EACH	26			13				13			
* X0326805	FOUNDATION REMOVAL	SQ FT	4,644				4,644						
• X0326935	CROSSHOLE SONIC LOGGING	EACH	32		16			16					
• X0327357	CONSTRUCTION VIBRATION MONITORING	L SUM	1				1						

* = SPECIALTY ITEMS + = NON PARTICIPATING ITEMS

USER NAME = 35361	DESIGNED - JB	REVISED -
DRAWN - SD	CHECKED - JC	REVISED -
PLOT SCALE = 2:0000' / 1" =	DATE - 03-12-2015	REVISED -
PLOT DATE = 3/20/2015		

STATE OF ILLINOIS
DEPARTMENT OF TRANSPORTATION

SUMMARY OF QUANTITIES 18

SCALE: N/A SHEET 18 OF 24 SHEETS STA. TO STA.

F.A.P. RTE.	SECTION	COUNTY	TOTAL SHEETS	SHEET NO.
17	104B-2	CARROLL/JACKSON	528	24
FED. ROAD DIST. NO.		ILLINOIS FED. AID PROJECT		
		CONTRACT NO. 64059		

FILE NAME : c:\pwworking\illinois\35361\dms\031215\104B-2\18011950_218.dgn

CODE NO.	ITEM	UNIT	TOTAL QUANTITY	RURAL - CONSTRUCTION CODE - NHPP FUNDS							CITY OF SAVANNA 100%
				IOWA 100% STATE			ILLINOIS 80% FED / 20% STATE				
				ROADWAY 0004	BRIDGE 0011	BRIDGE LIGHTING 0021	ROADWAY 0004	BRIDGE 0011	BRIDGE LIGHTING 0021	RETAINING WALL 0040	
X0327778	HANGER ASSEMBLIES FOR TIED ARCH SPAN	L SUM	1		0.5			0.5			
X0488100	REMOVING EXISTING SEPTIC TANK	EACH	2	1			1				
X2010505	CLEARING, SPECIAL	L SUM	1				1				
* X2501845	SEEDING, CLASS 7 (SPECIAL)	ACRE	2.50	2.50							
X4060310	HOT-MIX ASPHALT SURFACE COURSE, MIX "C", N50, SPECIAL	TON	101				101				
X4400110	TEMPORARY PAVEMENT REMOVAL	SQ YD	3,879	881			2,998				
X4823029	HOT-MIX ASPHALT SHOULDERS, 8", SPECIAL	SQ YD	2,226	2,226							
X5121800	PERMANENT STEEL SHEET PILING	SQ FT	7,114		3,557			3,557			
X5210110	HIGH LOAD MULTI-ROTATIONAL BEARINGS, GUIDED EXPANSION, 200K	EACH	6		3			3			
X5210120	HIGH LOAD MULTI-ROTATIONAL BEARINGS, GUIDED EXPANSION, 250K	EACH	6		3			3			
X5210160	HIGH LOAD MULTI-ROTATIONAL BEARINGS, GUIDED EXPANSION, 450K	EACH	24		12			12			
X5210345	HIGH LOAD MULTI-ROTATIONAL BEARINGS, FIXED - 550K	EACH	6		3			3			
X5210355	HIGH LOAD MULTI-ROTATIONAL BEARINGS, FIXED - 650K	EACH	12		6			6			
X550A576	TEMPORARY STORM SEWERS, CLASS A, TYPE 2 24"	FOOT	124				124				

* = SPECIALTY ITEMS + = NON PARTICIPATING ITEMS

FILE NAME: c:\pwworking\illinois\253361\253361.dwg

USER NAME * 35361	DESIGNED - JB	REVISED -
DRAWN - SQ	CHECKED - JC	REVISED -
PLT SCALE = 2.0000" / 1"	DATE - 03-12-2015	REVISED -
PLT DATE = 3/20/2015		

**STATE OF ILLINOIS
DEPARTMENT OF TRANSPORTATION**

SUMMARY OF QUANTITIES 19	
SCALE: N/A	SHEET 19 OF 24 SHEETS STA. TO STA.

F.A.P. RTE. 17	SECTION 104B-2	COUNTY CARROLL/JACKSON	TOTAL SHEETS 528	SHEET NO. 25
CONTRACT NO. 64059				
FED. ROAD DIST. NO. [ILLINOIS] FED. AID PROJECT				

CODE NO.	ITEM	UNIT	TOTAL QUANTITY	RURAL - CONSTRUCTION CODE - NHPP FUNDS									
				IOWA 100% STATE			ILLINOIS 80% FED / 20% STATE			CITY OF SAVANNA 100%			
				ROADWAY 0004	BRIDGE 0011	BRIDGE LIGHTING 0021	ROADWAY 0004	BRIDGE 0011	BRIDGE LIGHTING 0021	RETAINING WALL 0040	ROADWAY LIGHTING 0021	UTILITIES 0043	
X5860110	GRANULAR BACKFILL FOR STRUCTURES	CU YD	265		132.5			132.5					
X6024240	INLETS, SPECIAL	EACH	4				4						
X6024248	INLETS, SPECIAL, NO. 4	EACH	1				1						
X6024250	INLETS, SPECIAL, NO. 5	EACH	24				24						
X6026050	SANITARY MANHOLES TO BE ADJUSTED	EACH	2										2
X6028050	TEMPORARY MANHOLE	EACH	1				1						
X6028404	TEMPORARY INLETS, TYPE A, TYPE 1 FRAME, OPEN LID	EACH	1				1						
X6062400	CONCRETE GUTTER (SPECIAL)	FOOT	1,386				1,386						
X6100120	TYPE E INLET BOX, STANDARD 610001 (SPECIAL)	EACH	4	2			2						
X6330725	STEEL PLATE BEAM GUARDRAIL (SHORT RADIUS)	FOOT	100	100									
X6640525	CHAIN LINK FENCE, 4' ATTACHED TO STRUCTURE	FOOT	1,565							1,565			
X7040125	PINNING TEMPORARY CONCRETE BARRIER	EACH	486	234			252						
X7230203	INSTALL SIGN PANEL - TYPE 3	SQ FT	32				32						
X7330064	SIGN SUPPORT SPECIAL	EACH	5	2			3						

* = SPECIALTY ITEMS + = NON PARTICIPATING ITEMS

USER NAME = J5361	DESIGNED - JB	REVISED -
DRAWN - SD	CHECKED - JC	REVISED -
PLOT SCALE = 2,0000' / 1" =	DATE - 03-12-2015	REVISED -
PLOT DATE = 3/20/2015		

STATE OF ILLINOIS
DEPARTMENT OF TRANSPORTATION

SUMMARY OF QUANTITIES 20

SCALE: N/A SHEET 20 OF 24 SHEETS STA. TO STA.

F.A.P. RTE.	SECTION	COUNTY	TOTAL SHEETS	SHEET NO.
17	104B-2	CARROLL/JACKSON	528	26
FED. ROAD DIST. NO.		ILLINOIS FED. AID PROJECT		
		CONTRACT NO. 64059		

FILE NAME = c:\pwworking\illinois\35361\48484848\20111030_228.dgn

CODE NO.	ITEM	UNIT	TOTAL QUANTITY	RURAL - CONSTRUCTION CODE - NHPP FUNDS								CITY OF SAVANNA 100% UTILITIES 0043
				IOWA 100% STATE			ILLINOIS 80% FED / 20% STATE					
				ROADWAY 0004	BRIDGE 0011	BRIDGE LIGHTING 0021	ROADWAY 0004	BRIDGE 0011	BRIDGE LIGHTING 0021	RETAINING WALL 0040	ROADWAY LIGHTING 0021	
* X7830060	GROOVING FOR RECESSED PAVEMENT MARKING, LETTERS AND SYMBOLS	SO FT	117	5				112				
* X7830070	GROOVING FOR RECESSED PAVEMENT MARKING 5"	FOOT	25,910	5,729				20,181				
* X7830076	GROOVING FOR RECESSED PAVEMENT MARKING 9"	FOOT	251					251				
* X7830078	GROOVING FOR RECESSED PAVEMENT MARKING 13"	FOOT	677					677				
* X7830090	GROOVING FOR RECESSED PAVEMENT MARKING 25"	FOOT	129					129				
* X8110456	CONDUIT ATTACHED TO STRUCTURE, 1 1/2" DIA., STAINLESS STEEL	FOOT	80			40				40		
+ Z0005300	BOX CULVERTS TO BE CLEANED	EACH	1					1				
* Z0007118	UNTREATED TIMBER LAGGING	SO FT	18,611							18,611		
Z0007601	BUILDING REMOVAL NO. 1	L SUM	1					1				
Z0013300	CONCRETE REMOVAL (SPECIAL)	SO YD	178					178				
Z0013797	STABILIZED CONSTRUCTION ENTRANCE	SO YD	500	250				250				
Z0013798	CONSTRUCTION LAYOUT	L SUM	1					1				
Z0015500	DEBRIS REMOVAL	L SUM	1					1				
Z0018002	DRAINAGE SCUPPERS, DS-11	EACH	32		16				16			

* = SPECIALTY ITEMS + = NON PARTICIPATING ITEMS

USER NAME : 35361	DESIGNED - JB	REVISED -
DRAWN - SD	CHECKED - JC	REVISED -
PLOT SCALE : 2.0000' / 1" =	DATE - 03-12-2015	REVISED -
PLOT DATE : 3/20/2015		

STATE OF ILLINOIS
DEPARTMENT OF TRANSPORTATION

SUMMARY OF QUANTITIES 21

SCALE: N/A SHEET 21 OF 24 SHEETS STA. TO STA.

F.A.P. RTE.	SECTION	COUNTY	TOTAL SHEETS	SHEET NO.
17	104B-2	CARROLL/JACKSON	528	27
FED. ROAD DIST. NO.		ILLINOIS FED. AID PROJECT		
		CONTRACT NO. 64059		

FILE NAME : c:\pwworking\illinois\35361\031215\031215\20111500_221.dgn

CODE NO.	ITEM	UNIT	TOTAL QUANTITY	RURAL - CONSTRUCTION CODE - NHPP FUNDS								
				IOWA 100% STATE			ILLINOIS 80% FED / 20% STATE				CITY OF SAVANNAH 100%	
				ROADWAY 0004	BRIDGE 0011	BRIDGE LIGHTING 0021	ROADWAY 0004	BRIDGE 0011	BRIDGE LIGHTING 0021	RETAINING WALL 0040	ROADWAY LIGHTING 0021	UTILITIES 0043
Z0023201	SEDIMENT CONTROL, SILT CURTAIN	EACH	6	6								
Z0025505	PROPERTY MARKERS	EACH	19				19					
Z0026403	FURNISHING SOLDIER PILES (BUILT-UP SECTION)	FOOT	4,427							4,427		
Z0026404	FURNISHING SOLDIER PILES (W SECTION)	FOOT	3,275							3,275		
Z0027800	GEOTECHNICAL FABRIC	SQ YD	4,471	4,471								
Z0028415	GEOTECHNICAL REINFORCEMENT	SQ YD	9,560	9,560								
Z0034398	MODULAR EXPANSION JOINT 15"	FOOT	40		20			20				
Z0034500	MODULAR EXPANSION JOINT 18"	FOOT	40		20			20				
Z0046304	PIPE UNDERDRAINS FOR STRUCTURES 4"	FOOT	1,723		79			79		1,565		
Z0048665	RAILROAD PROTECTIVE LIABILITY INSURANCE	L SUM	1				1					
* Z0049901	REMOVAL AND DISPOSAL OF NON-FRIABLE ASBESTOS, BUILDING NO. 1	L SUM	1				1					
* Z0054400	ROCK FILL	CU YD	7,284	7,284								
Z0056610	STORM SEWER (WATER MAIN REQUIREMENTS) 15 INCH	FOOT	117				117					
Z0056628	STORM SEWER (WATER MAIN REQUIREMENTS) 54 INCH	FOOT	47				47					

* = SPECIALTY ITEMS + = NON PARTICIPATING ITEMS

FILE NAME: c:\pwworking\illinois\193351\moss\105120011900_222.dgn

USER NAME = 35361	DESIGNED - JB	REVISED -
DRAWN - SO	CHECKED - JC	REVISED -
DATE - 03-12-2015		

**STATE OF ILLINOIS
DEPARTMENT OF TRANSPORTATION**

SUMMARY OF QUANTITIES 22

SCALE: N/A SHEET 22 OF 24 SHEETS STA. TO STA.

F.A.P. RTE. 17	SECTION 104B-2	COUNTY CARROLL/JACKSON	TOTAL SHEETS 528	SHEET NO. 28
FED. ROAD DIST. NO. ILLINOIS FED. AID PROJECT			CONTRACT NO. 64059	

CODE NO.	ITEM	UNIT	TOTAL QUANTITY	RURAL - CONSTRUCTION CODE - NHPP FUNDS								
				IOWA 100% STATE			ILLINOIS 80% FED / 20% STATE					CITY OF SAVANNA 100%
				ROADWAY 0004	BRIDGE 0011	BRIDGE LIGHTING 0021	ROADWAY 0004	BRIDGE 0011	BRIDGE LIGHTING 0021	RETAINING WALL 0040	ROADWAY LIGHTING 0021	UTILITIES 0043
Z0062456	TEMPORARY PAVEMENT	SQ YD	3,879	881			2,998					
Z0062458	TEMPORARY PAVEMENT (VARIABLE DEPTH)	TON	245	8			237					
Z0073002	TEMPORARY SOIL RETENTION SYSTEM	SQ FT	14,512	14,320	96			96				
Z0075496	CONCRETE RETAINING WALL REMOVAL	FOOT	799				799					
Z0076600	TRAINEES	HOUR	4000				4000					
Z0076604	TRAINEES- TRAINING PROGRAM GRADUATE	HOUR	4000				4000					
X2300006	BICYCLE RAILING (PARAPET MOUNTED)	FOOT	4,974		2,487			2,487				
X0325658	HIGH LOAD MULTI-ROTATIONAL BEARINGS, GUIDED EXPANSION, 2500K	EACH	2		1			1				
X0325634	HIGH LOAD MULTI-ROTATIONAL BEARINGS, FIXED - 2500K	EACH	2		1			1				
X0900015	COFFERCELL (LOCATION -6)	EACH	1		0.5			0.5				
X0900016	COFFERCELL (LOCATION -7)	EACH	1		0.5			0.5				
X0900017	COFFERCELL (LOCATION -8)	EACH	1		0.5			0.5				
X0900018	COFFERCELL (LOCATION -9)	EACH	1		0.5			0.5				
X0900019	COFFERCELL (LOCATION -10)	EACH	1		0.5			0.5				
X1400094	LUMINAIRE, LED, HORIZONTAL MOUNT, LOW WATTAGE	EACH	14			7			7			

* = SPECIALTY ITEMS + = NON PARTICIPATING ITEMS

Rev.

FILE NAME: c:\pwworking\illinois\135361\dms\81195\2011\1300-222.dwg

USER NAME = 35361	DESIGNED - JB	REVISED -
DRAWN - SO	RECHECKED - JC	REVISIONS -
PLOT SCALE = 2,0000' / 1" =	DATE - 03-12-2015	
PLOT DATE = 3/20/2015		

STATE OF ILLINOIS
DEPARTMENT OF TRANSPORTATION

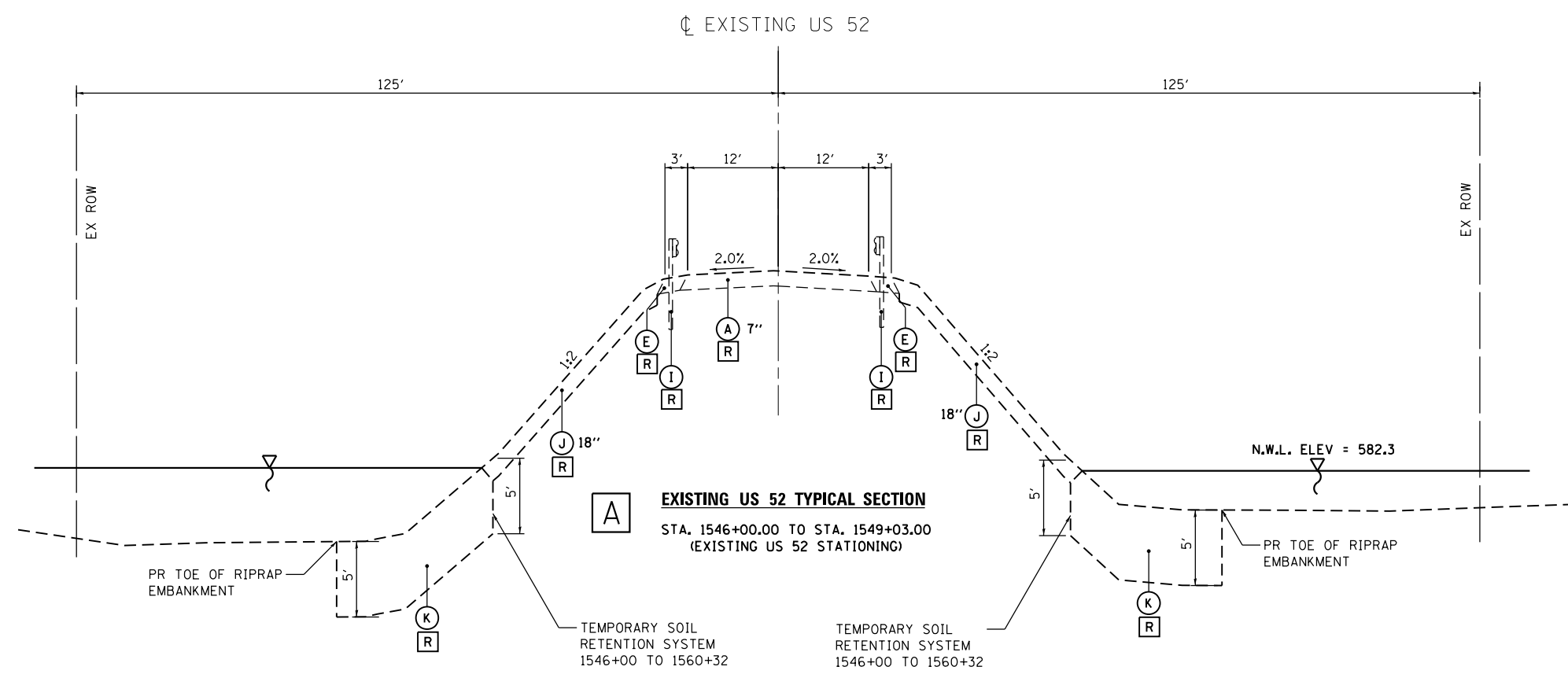
SUMMARY OF QUANTITIES 23

SCALE: N/A SHEET 23 OF 24 SHEETS STA. TO STA.

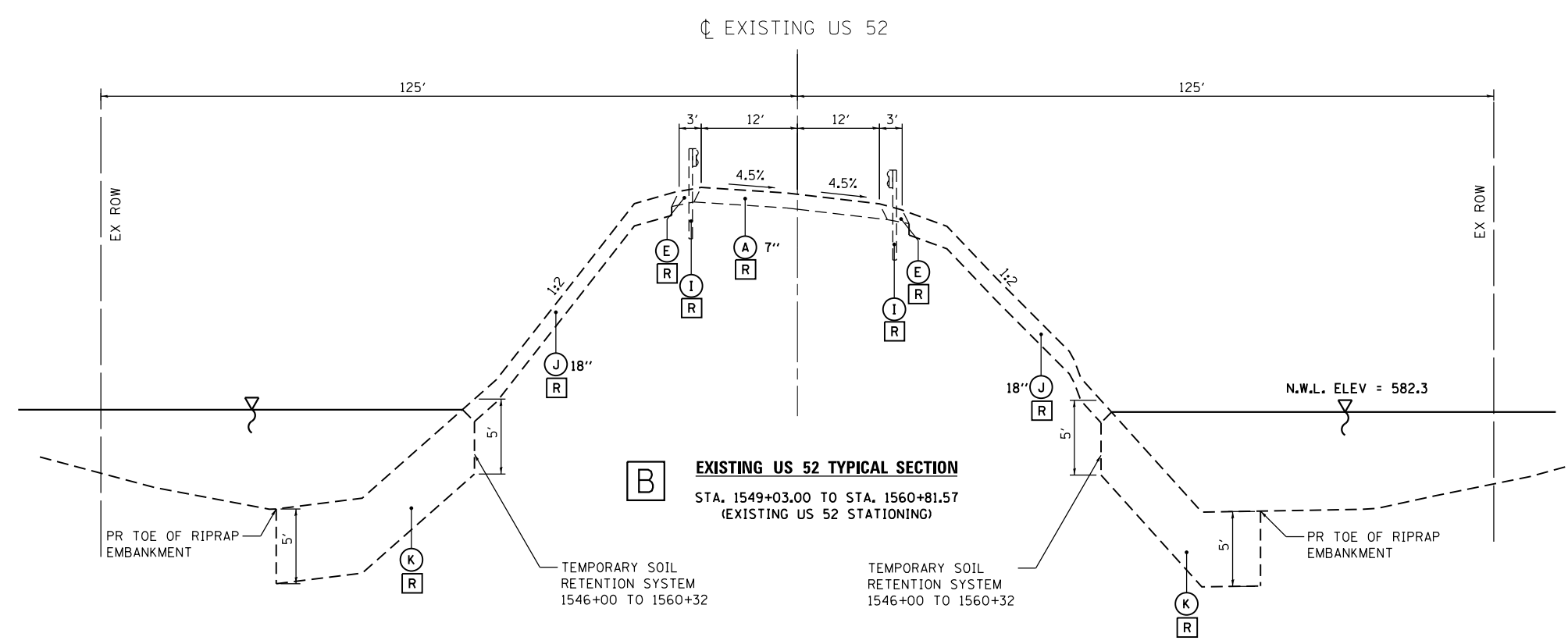
F.A.P. RTE. 17	SECTION 1048-2	COUNTY CARROLL/JACKSON	TOTAL SHEETS 528	SHEET NO. 29
FED. ROAD DIST. NO.		ILLINOIS FED. AID PROJECT		
CONTRACT NO. 64659				

EXISTING LEGEND

- (A) BITUMINOUS PAVEMENT
- (B) TOPSOIL
- (C) AGGREGATE SHOULDER
- (D) CURB AND GUTTER
- (E) BITUMINOUS SHOULDER
- (F) TEMPORARY PAVEMENT
- (G) AGGREGATE SUBGRADE
- (H) SIDEWALK
- (I) GUARDRAIL
- (J) RIPRAP
- (K) UNSUITABLE MATERIAL
- (L) PCC PAVEMENT
- [R] = REMOVAL



NOTES:
 EXISTING MATERIAL THICKNESS IS FOR INFORMATION ONLY. ACTUAL THICKNESS TO BE DETERMINED IN THE FIELD.
 REMOVAL DEPTH OF UNSUITABLE MATERIAL BELOW THE N.W.L. SHOWN IS FOR ESTIMATION PURPOSES ONLY. THE ACTUAL DEPTH SHALL BE DETERMINED BY THE ENGINEER IN THE FIELD.



FILE NAME = c:\p\work\king\illinois\35361\dm04105\200111YP_201.dgn

USER NAME = 35361	DESIGNED - JB	REVISED -
	DRAWN - JB	REVISED -
PLOT SCALE = 20.00' / in.	CHECKED - FZ	REVISED -
PLOT DATE = 3/20/2015	DATE - 03-12-2015	REVISED -

**STATE OF ILLINOIS
 DEPARTMENT OF TRANSPORTATION**

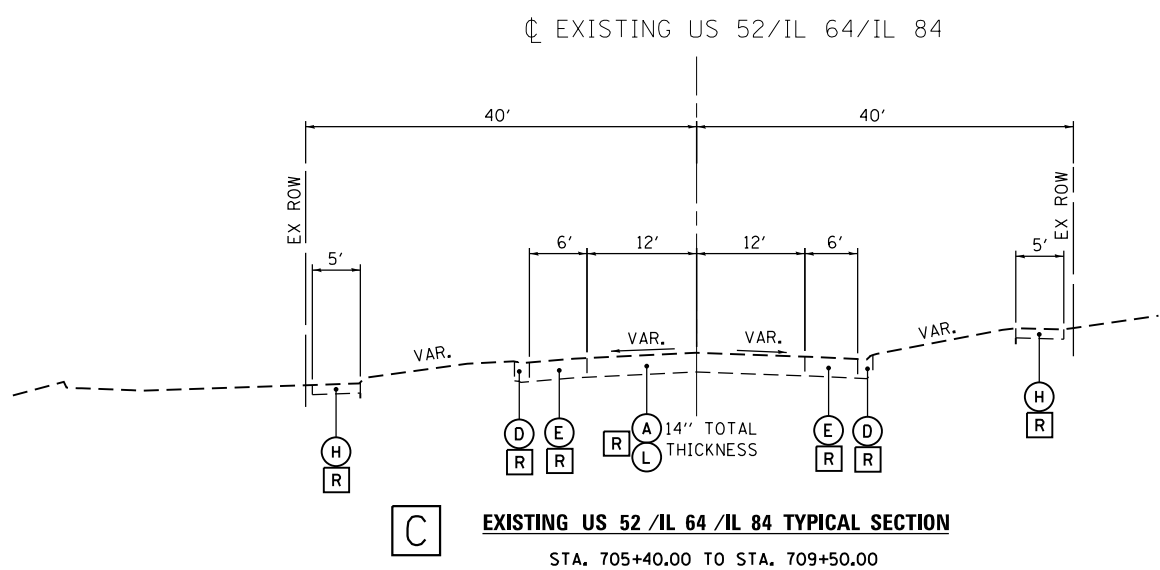
EXISTING TYPICAL SECTIONS

SCALE: N/A SHEET 1 OF 7 SHEETS STA. TO STA.

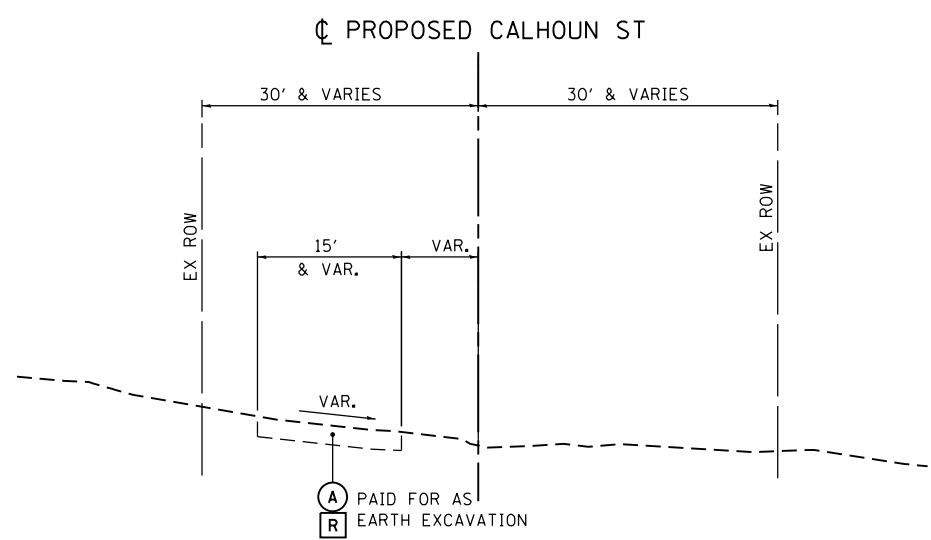
F.A.P. RTE.	SECTION	COUNTY	TOTAL SHEETS	SHEET NO.
17	104B-2	CARROLL/JACKSON	528	31
CONTRACT NO. 64G59				
FED. ROAD DIST. NO. ILLINOIS FED. AID PROJECT				

EXISTING LEGEND

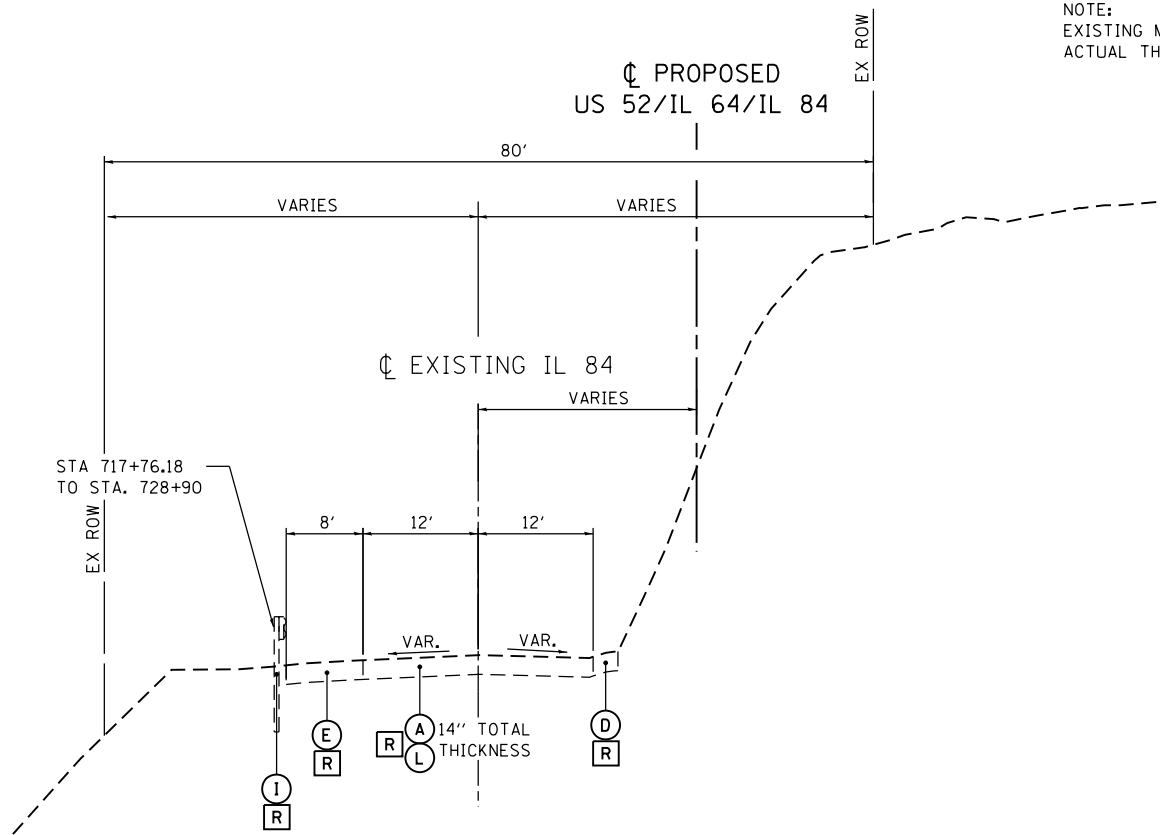
- (A) BITUMINOUS PAVEMENT
- (B) TOPSOIL
- (C) AGGREGATE SHOULDER
- (D) CURB AND GUTTER
- (E) BITUMINOUS SHOULDER
- (F) TEMPORARY PAVEMENT
- (G) AGGREGATE SUBGRADE
- (H) SIDEWALK
- (I) GUARDRAIL
- (J) RIPRAP
- (K) UNSUITABLE MATERIAL
- (L) PCC PAVEMENT
- [R] = REMOVAL



C **EXISTING US 52 /IL 64 /IL 84 TYPICAL SECTION**
STA. 705+40.00 TO STA. 709+50.00

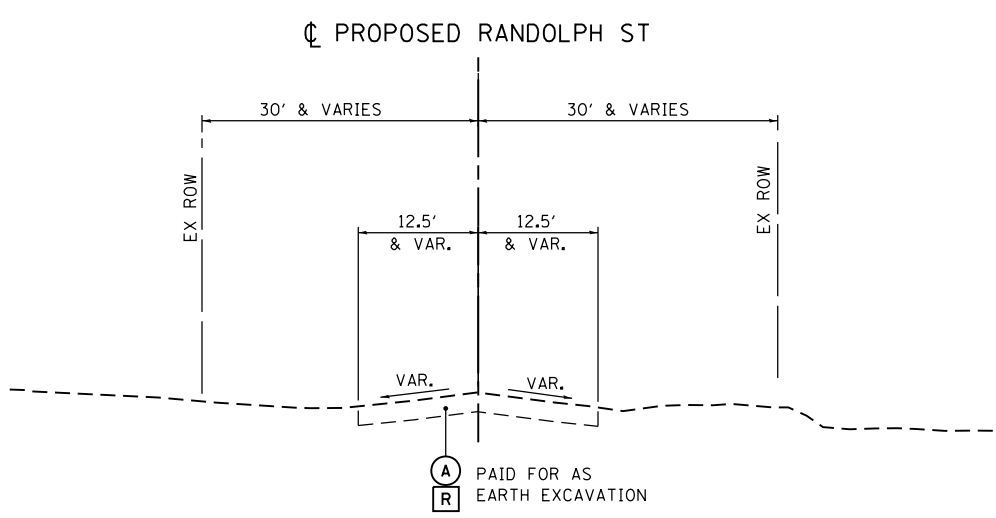


E **EXISTING CALHOUN STREET TYPICAL SECTION**
STA. 97+84.00 TO STA. 100+00.00



D **EXISTING IL 84 TYPICAL SECTION**
STA. 709+50.00 TO STA. 728+90.00

NOTE:
EXISTING MATERIAL THICKNESS IS FOR INFORMATION ONLY.
ACTUAL THICKNESS TO BE DETERMINED IN THE FIELD.



F **EXISTING RANDOLPH STREET TYPICAL SECTION**
STA. 197+49.00 TO STA. 200+00.00

FILE NAME = c:\p\work\king\illinois\35361\dm04105\200111YP_202.dgn

USER NAME = 35361	DESIGNED - JB	REVISED -
DRAWN - JB	REVISIONS -	
PLOT SCALE = 20.00' / in.	CHECKED - FZ	REVISIONS -
PLOT DATE = 3/20/2015	DATE - 03-12-2015	REVISIONS -

**STATE OF ILLINOIS
DEPARTMENT OF TRANSPORTATION**

EXISTING TYPICAL SECTIONS

SCALE: N/A SHEET 2 OF 7 SHEETS STA. TO STA.

F.A.P. RTE.	SECTION	COUNTY	TOTAL SHEETS	SHEET NO.
17	104B-2	CARROLL/JACKSON	528	32
CONTRACT NO. 64G59				
FED. ROAD DIST. NO. ILLINOIS FED. AID PROJECT				

PROPOSED LEGEND

- ① HOT-MIX ASPHALT PAVEMENT (FULL-DEPTH), 9 3/4" •
- ② HOT-MIX ASPHALT PAVEMENT (FULL-DEPTH), 9 1/2" •
- ③ HMA SHOULDERS 6" & HMA SC "C" N50 (2") •
- ④ HOT-MIX ASPHALT SHOULDERS, 8", SPECIAL •
- ⑤ COMBINATION CONCRETE CURB AND GUTTER, TYPE M-4.24
- ⑥ COMBINATION CONCRETE CURB AND GUTTER, TYPE B-6.24
- ⑦ PORTLAND CEMENT CONCRETE DRIVEWAY PAVEMENT, 7"
- ⑧ AGGREGATE SUBGRADE IMPROVEMENT, 12"
- ⑨ PORTLAND CEMENT CONCRETE SIDEWALK 5 INCH
- ⑩ STEEL PLATE BEAM GUARDRAIL, TYPE A, 6 FOOT POSTS
- ⑪ STORM SEWER (SEE DRAINAGE PLANS)
- ⑫ AGGREGATE SHOULDERS, TYPE B 8"
- ⑬ CONCRETE GUTTER (SPECIAL)
- ⑭ SUBBASE GRANULAR MATERIAL, TYPE C
- ⑮ TOPSOIL F & P 4 & SEEDING (SEE LANDSCAPING PLANS)
- ⑯ EMBANKMENT
- ⑰ CHAIN LINK FENCE, 4' ATTACHED TO STRUCTURE
- ⑱ GEOTECHNICAL REINFORCEMENT
- ⑲ GEOTECHNICAL FABRIC
- ⑳ STONE RIPRAP, CLASS A5
- ㉑ GRANULAR EMBANKMENT, SPECIAL
- ㉒ PIPE UNDERDRAINS 4"
- ㉓ BEDDING (INCLUDED IN ITEM 20)
- ㉔ FILTER FABRIC
- ㉕ CONCRETE MEDIAN, TYPE SM-4.24
- ㉖ STONE RIPRAP, CLASS A2 (INCLUDED IN ITEM 20)
- ㉗ STONE RIPRAP, CLASS A1
- ㉘ ROCK FILL
- ㉙ RETAINING WALL

• SEE GENERAL NOTES FOR MIXTURE REQUIREMENTS

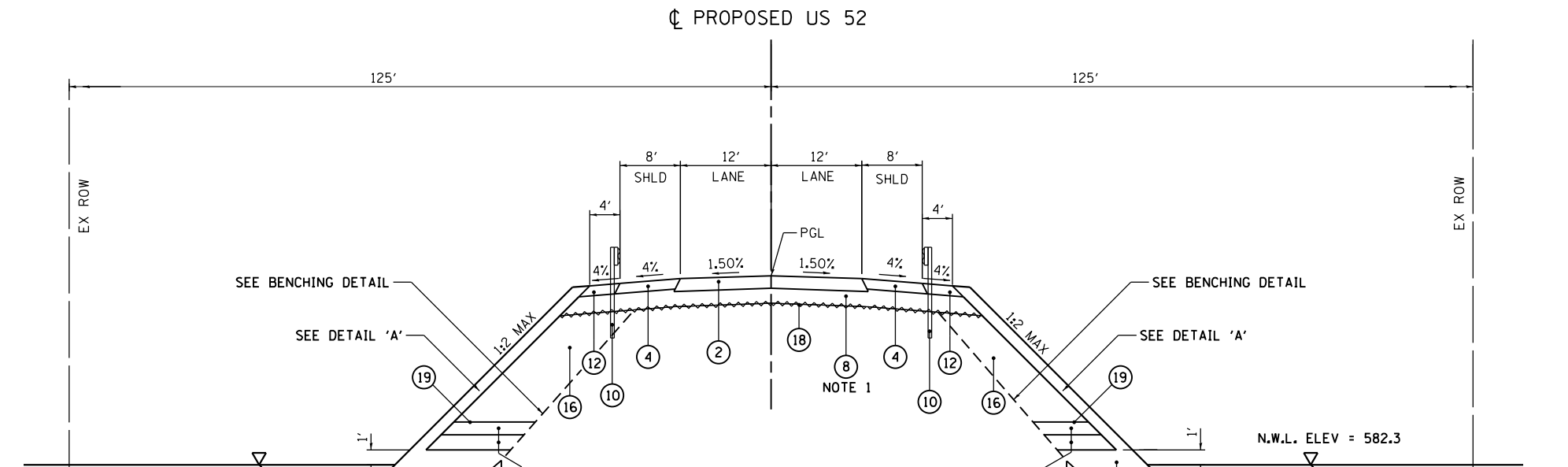
2" SURFACE	2" SURFACE	2" TOP LIFT
3.75" TOP LIFT BINDER	3.50" TOP LIFT BINDER	
4" ALL OTHER LIFTS	4" ALL OTHER LIFTS	LOWER LIFTS

HOT-MIX ASPHALT PAVEMENT (FULL-DEPTH), 9 3/4" HOT-MIX ASPHALT PAVEMENT (FULL-DEPTH), 9 1/2" SHOULDERS

NOTE: THE COST OF THE ADDITIONAL THICKNESS OF AGGREGATE SUBGRADE IMPROVEMENT 12" REQUIRED BENEATH THE SHOULDERS SHALL BE INCLUDED IN THE CONTRACT UNIT PRICE PER SQ YD FOR AGGREGATE SUBGRADE IMPROVEMENT 12".

US 52 / IL 64

STRUCTURAL DESIGN TRAFFIC:		YEAR <u>2025</u>
PV = <u>2,060</u>	SU = <u>220</u>	MU = <u>20</u>
ROAD/STREET CLASSIFICATION:		CLASS <u>2</u>
PERCENT OF STRUCTURAL DESIGN TRAFFIC IN DESIGN LANE:		
P = <u>50%</u>	S = <u>50%</u>	M = <u>50%</u>
TRAFFIC FACTOR	ACTUAL TF = <u>0.33</u>	AC TYPE = <u>20</u>
	MINIMUM TF = <u>3.17</u>	
PG GRADE:	BINDER = <u>64-22</u>	SURFACE = <u>NA</u>
SUBGRADE SUPPORT RATING:		
SSR = <u>POOR</u>		

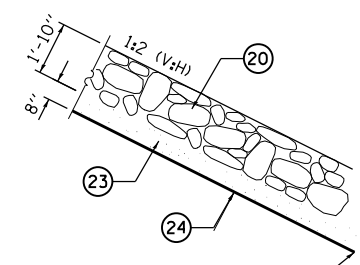


G PROPOSED US 52 TYPICAL SECTION

STA. 1546+00.00 TO STA. 1548+69.00

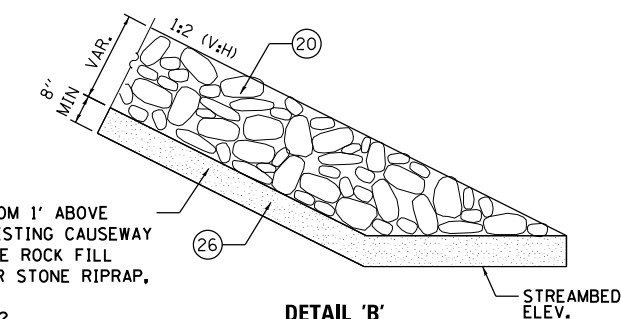
- NOTES:
1. SUBGRADE SLOPE SHALL BE PARALLEL TO THE PAVEMENT/SHOULDER SURFACE CROSS SLOPE.
 2. THE UPPER LIMITS OF DETAIL 'B' SHALL BE 1' ABOVE THE N.W.L. OR 1' ABOVE THE ACTUAL WATER LEVEL AT THE TIME OF CONSTRUCTION, WHICHEVER IS HIGHER.
 3. CONDUIT FOR MOTION DETECTOR SHALL BE INSTALLED PRIOR TO GEOTECHNICAL REINFORCEMENT.
 4. AFTER REMOVAL OF SURFACE VEGETATION AND DEBRIS, THE EXISTING SLOPE SHALL BE ROUGHENED BY DISKING OR SCARIFICATION BEFORE PLACEMENT OF RIPRAP. THE RIPRAP MATERIAL SHALL BE PLACED IN LAYERS AND COMPACTED IN A MANNER APPROVED BY THE ENGINEER.
 5. SEE EXISTING TYPICAL SECTIONS FOR LOCATIONS OF TEMPORARY SOIL RETENTION SYSTEM.

USE ITEM 26 FROM 1' ABOVE N.W.L. ALONG EXISTING CAUSEWAY SLOPE AND ABOVE ROCK FILL TO LIMITS OF PR STONE RIPRAP, CLASS A5. SEE ALSO NOTE 2.

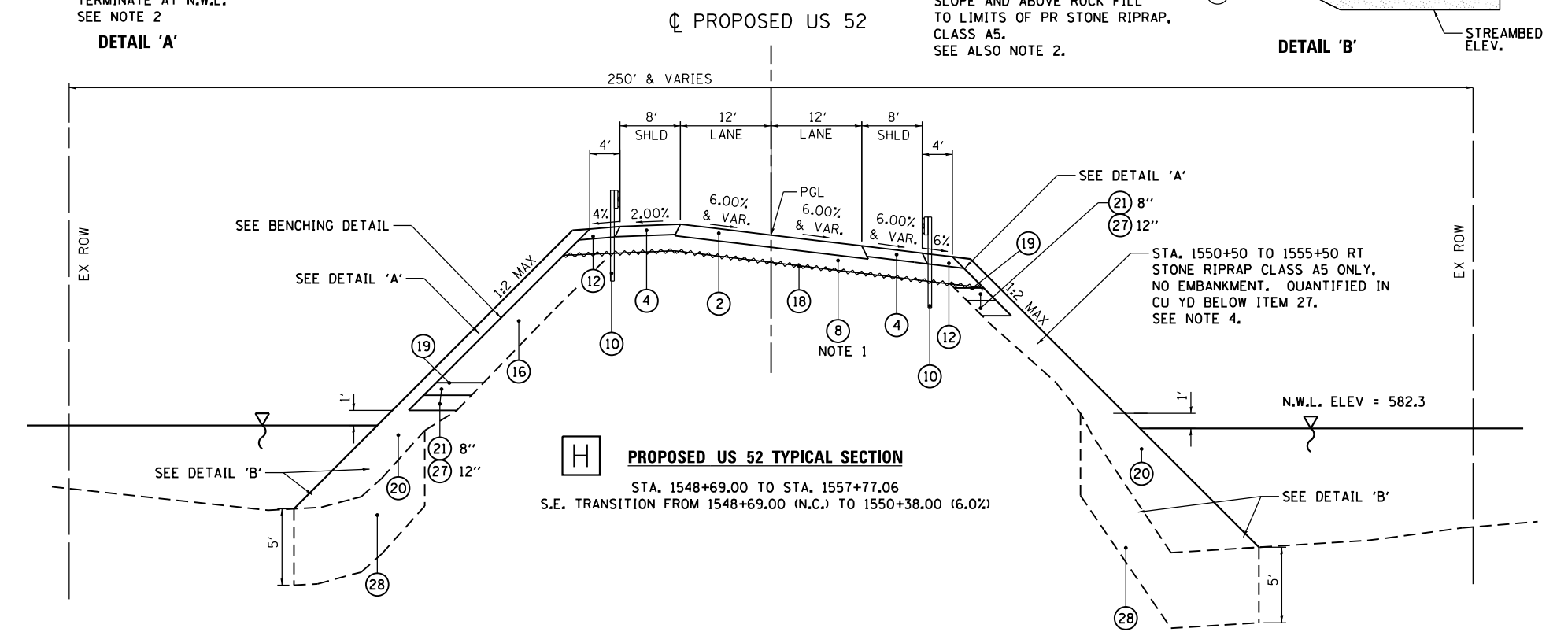


FILTER FABRIC TO TERMINATE AT N.W.L. SEE NOTE 2

DETAIL 'A'



DETAIL 'B'



H PROPOSED US 52 TYPICAL SECTION

STA. 1548+69.00 TO STA. 1557+77.06
S.E. TRANSITION FROM 1548+69.00 (N.C.) TO 1550+38.00 (6.0%)

FILE NAME = c:\pwworking\illinois\35361\dm04105\200111\TP_203.dgn

USER NAME = 35361	DESIGNED - JB	REVISED -
	DRAWN - JB	REVISED -
PLOT SCALE = 20.00' / in.	CHECKED - FZ	REVISED -
PLOT DATE = 3/20/2015	DATE - 03-12-2015	REVISED -

**STATE OF ILLINOIS
DEPARTMENT OF TRANSPORTATION**

PROPOSED TYPICAL SECTIONS

SCALE: N/A SHEET 3 OF 7 SHEETS STA. TO STA.

F.A.P. RTE.	SECTION	COUNTY	TOTAL SHEETS	SHEET NO.
17	104B-2	CARROLL/JACKSON	528	33
FED. ROAD DIST. NO. ILLINOIS FED. AID PROJECT			CONTRACT NO. 64G59	

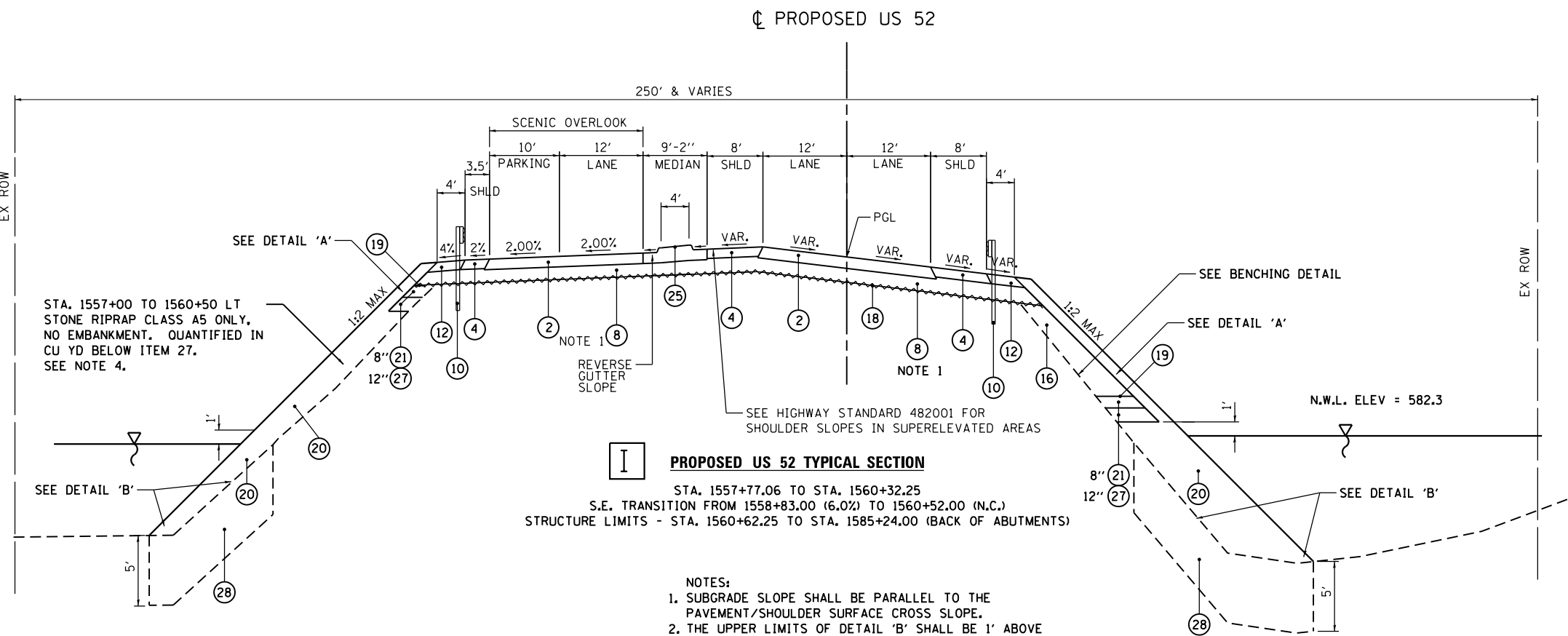
PROPOSED LEGEND

- ① HOT-MIX ASPHALT PAVEMENT (FULL-DEPTH), 9 3/4" •
 - ② HOT-MIX ASPHALT PAVEMENT (FULL-DEPTH), 9 1/2" •
 - ③ HMA SHOULDERS 6" & HMA SC "C" N50 (2") •
 - ④ HOT-MIX ASPHALT SHOULDERS, 8", SPECIAL •
 - ⑤ COMBINATION CONCRETE CURB AND GUTTER, TYPE M-4.24
 - ⑥ COMBINATION CONCRETE CURB AND GUTTER, TYPE B-6.24
 - ⑦ PORTLAND CEMENT CONCRETE DRIVEWAY PAVEMENT, 7"
 - ⑧ AGGREGATE SUBGRADE IMPROVEMENT, 12"
 - ⑨ PORTLAND CEMENT CONCRETE SIDEWALK 5 INCH
 - ⑩ STEEL PLATE BEAM GUARDRAIL, TYPE A, 6 FOOT POSTS
 - ⑪ STORM SEWER (SEE DRAINAGE PLANS)
 - ⑫ AGGREGATE SHOULDERS, TYPE B 8"
 - ⑬ CONCRETE GUTTER (SPECIAL)
 - ⑭ SUBBASE GRANULAR MATERIAL, TYPE C
 - ⑮ TOPSOIL F & P 4 & SEEDING (SEE LANDSCAPING PLANS)
 - ⑯ EMBANKMENT
 - ⑰ CHAIN LINK FENCE, 4' ATTACHED TO STRUCTURE
 - ⑱ GEOTECHNICAL REINFORCEMENT
 - ⑲ GEOTECHNICAL FABRIC
 - ⑳ STONE RIPRAP, CLASS A5
 - ㉑ GRANULAR EMBANKMENT, SPECIAL
 - ㉒ PIPE UNDERDRAINS 4"
 - ㉓ BEDDING (INCLUDED IN ITEM 20)
 - ㉔ FILTER FABRIC
 - ㉕ CONCRETE MEDIAN, TYPE SM-4.24
 - ㉖ STONE RIPRAP, CLASS A2 (INCLUDED IN ITEM 20)
 - ㉗ STONE RIPRAP, CLASS A1
 - ㉘ ROCK FILL
 - ㉙ RETAINING WALL
- SEE GENERAL NOTES FOR MIXTURE REQUIREMENTS

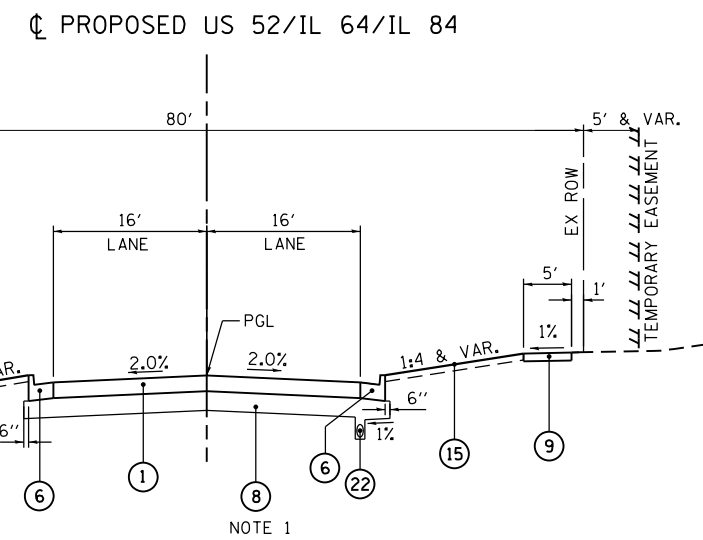
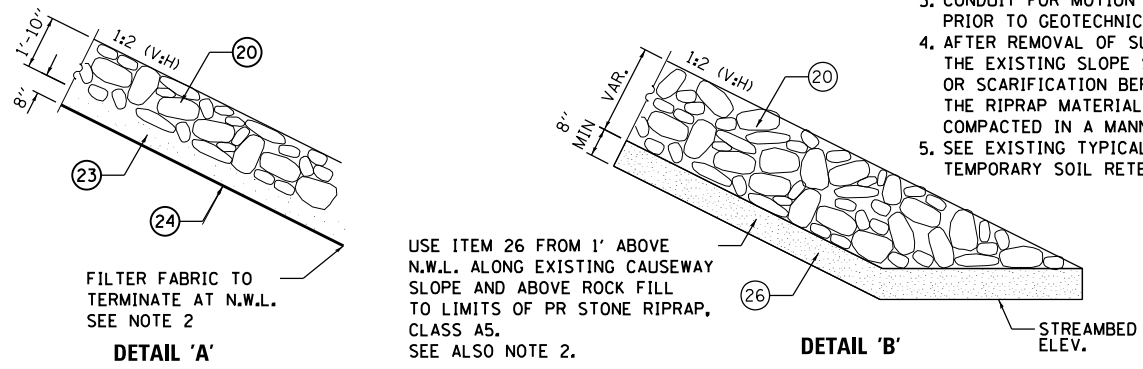
2" SURFACE	2" SURFACE	2" TOP LIFT
3.75" TOP LIFT BINDER	3.50" TOP LIFT BINDER	
4" ALL OTHER LIFTS	4" ALL OTHER LIFTS	LOWER LIFTS

HOT-MIX ASPHALT PAVEMENT (FULL-DEPTH), 9 3/4" HOT-MIX ASPHALT PAVEMENT (FULL-DEPTH), 9 1/2" SHOULDERS

NOTE: THE COST OF THE ADDITIONAL THICKNESS OF AGGREGATE SUBGRADE IMPROVEMENT 12" REQUIRED BENEATH THE SHOULDERS SHALL BE INCLUDED IN THE CONTRACT UNIT PRICE PER SQ YD FOR AGGREGATE SUBGRADE IMPROVEMENT 12".



- NOTES:**
1. SUBGRADE SLOPE SHALL BE PARALLEL TO THE PAVEMENT/SHOULDER SURFACE CROSS SLOPE.
 2. THE UPPER LIMITS OF DETAIL 'B' SHALL BE 1' ABOVE THE N.W.L. OR 1' ABOVE THE ACTUAL WATER LEVEL AT THE TIME OF CONSTRUCTION, WHICHEVER IS HIGHER.
 3. CONDUIT FOR MOTION DETECTOR SHALL BE INSTALLED PRIOR TO GEOTECHNICAL REINFORCEMENT.
 4. AFTER REMOVAL OF SURFACE VEGETATION AND DEBRIS, THE EXISTING SLOPE SHALL BE ROUGHENED BY DISKING OR SCARIFICATION BEFORE PLACEMENT OF RIPRAP. THE RIPRAP MATERIAL SHALL BE PLACED IN LAYERS AND COMPACTED IN A MANNER APPROVED BY THE ENGINEER.
 5. SEE EXISTING TYPICAL SECTIONS FOR LOCATIONS OF TEMPORARY SOIL RETENTION SYSTEM.



MIXTURE REQUIREMENTS

MIXTURE USE	FULL DEPTH PAVEMENT			HMA SHOULDERS	
	SURFACE (2")	TOP LIFT BINDER (3.75") ILLINOIS TOP LIFT BINDER (3.50") IOWA	ALL OTHER LIFTS (4")	TOP HMA SHOULDER LIFT 2"	HMA SHOULDER LOWER LIFTS
PG	SBS PG 64-28	SBS PG 64-28	PG 64-22	PG 64-22	PG 64-22
DESIGN AIR VOIDS	4.0% @ N50	4.0% @ N50	4.0% @ N50	3.0% @ N50	2.0% @ N50
MIX COMPOSITION (GRADATION MIXTURE)	IL 9.5	IL 19.0	IL 19.0	IL 9.5 OR 9.5FG	IL 19.0 OR 19.0 FG
FRICTION AGGREGATE	C	N/A	N/A	MIX C	N/A
20 YEAR ESAL	0.9	0.9	0.9	N/A	N/A
MIX UNIT WEIGHT	112 LBS/SY/IN	112 LBS/SY/IN	112 LBS/SY/IN	112 LBS/SY/IN	112 LBS/SY/IN
QUALITY MANAGEMENT	OCP	OCP	OCP	OCP	OCP
SUBLOT TONNAGE	750	750	750	750	750

US 52 / IL 64 / IL 84

STRUCTURAL DESIGN TRAFFIC:	YEAR <u>2025</u>	
PV = <u>3,805</u>	SU = <u>190</u>	MU = <u>155</u>
ROAD/STREET CLASSIFICATION:	CLASS <u>II</u>	
PERCENT OF STRUCTURAL DESIGN TRAFFIC IN DESIGN LANE:		
P = <u>50%</u>	S = <u>50%</u>	M = <u>50%</u>
TRAFFIC FACTOR	ACTUAL TF = <u>0.82</u>	
	MINIMUM TF = <u>3.17</u>	
PG GRADE:	BINDER = <u>64-22</u>	
SUBGRADE SUPPORT RATING:	SSR = <u>POOR</u>	

**STATE OF ILLINOIS
DEPARTMENT OF TRANSPORTATION**

PROPOSED TYPICAL SECTIONS

SCALE: N/A SHEET 4 OF 7 SHEETS STA. TO STA.

F.A.P. RTE.	SECTION	COUNTY	TOTAL SHEETS	SHEET NO.
17	104B-2	CARROLL/JACKSON	528	34
CONTRACT NO. 64G59				
FED. ROAD DIST. NO. ILLINOIS FED. AID PROJECT				

FILE NAME = c:\p\work\king\illinois\35361\dm\04105\200111\TP_204.dgn

PROPOSED LEGEND

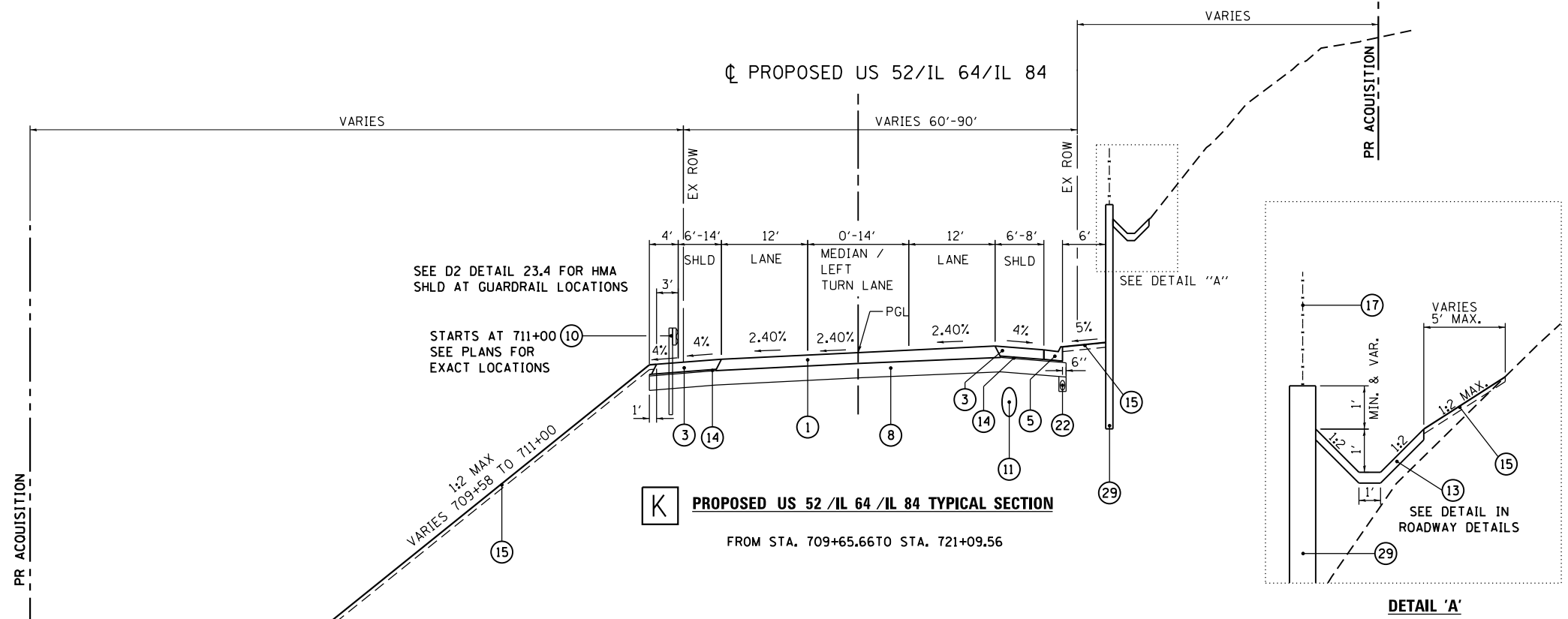
- ① HOT-MIX ASPHALT PAVEMENT (FULL-DEPTH), 9 3/4" •
- ② HOT-MIX ASPHALT PAVEMENT (FULL-DEPTH), 9 1/2" •
- ③ HMA SHOULDERS 6" & HMA SC "C" N50 (2") •
- ④ HOT-MIX ASPHALT SHOULDERS, 8", SPECIAL •
- ⑤ COMBINATION CONCRETE CURB AND GUTTER, TYPE M-4.24
- ⑥ COMBINATION CONCRETE CURB AND GUTTER, TYPE B-6.24
- ⑦ PORTLAND CEMENT CONCRETE DRIVEWAY PAVEMENT, 7"
- ⑧ AGGREGATE SUBGRADE IMPROVEMENT, 12"
- ⑨ PORTLAND CEMENT CONCRETE SIDEWALK 5 INCH
- ⑩ STEEL PLATE BEAM GUARDRAIL, TYPE A, 6 FOOT POSTS
- ⑪ STORM SEWER (SEE DRAINAGE PLANS)
- ⑫ AGGREGATE SHOULDERS, TYPE B 8"
- ⑬ CONCRETE GUTTER (SPECIAL)
- ⑭ SUBBASE GRANULAR MATERIAL, TYPE C
- ⑮ TOPSOIL F & P 4 & SEEDING (SEE LANDSCAPING PLANS)
- ⑯ EMBANKMENT
- ⑰ CHAIN LINK FENCE, 4' ATTACHED TO STRUCTURE
- ⑱ GEOTECHNICAL REINFORCEMENT
- ⑲ GEOTECHNICAL FABRIC
- ⑳ STONE RIPRAP, CLASS A5
- ㉑ GRANULAR EMBANKMENT, SPECIAL
- ㉒ PIPE UNDERDRAINS 4"
- ㉓ BEDDING (INCLUDED IN ITEM 20)
- ㉔ FILTER FABRIC
- ㉕ CONCRETE MEDIAN, TYPE SM-4.24
- ㉖ STONE RIPRAP, CLASS A2 (INCLUDED IN ITEM 20)
- ㉗ STONE RIPRAP, CLASS A1
- ㉘ ROCK FILL
- ㉙ RETAINING WALL

• SEE GENERAL NOTES FOR MIXTURE REQUIREMENTS

2" SURFACE	2" SURFACE	2" TOP LIFT
3.75" TOP LIFT BINDER	3.50" TOP LIFT BINDER	
4" ALL OTHER LIFTS	4" ALL OTHER LIFTS	LOWER LIFTS

HOT-MIX ASPHALT PAVEMENT (FULL-DEPTH), 9 3/4"	HOT-MIX ASPHALT PAVEMENT (FULL-DEPTH), 9 1/2"	SHOULDERS
---	---	-----------

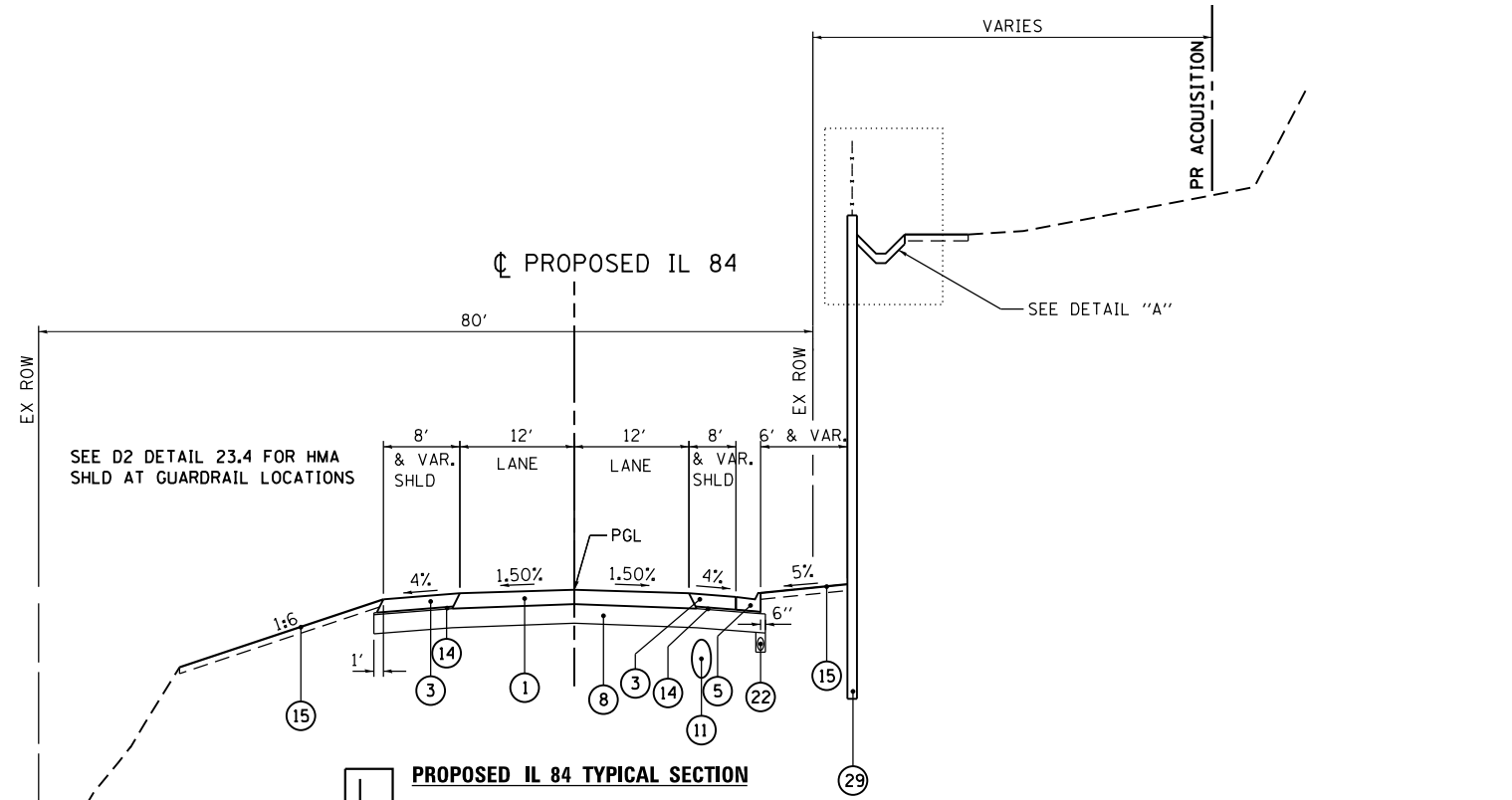
PROPOSED US 52/IL 64/IL 84



K PROPOSED US 52 /IL 64 /IL 84 TYPICAL SECTION

FROM STA. 709+65.66 TO STA. 721+09.56

PROPOSED IL 84



L PROPOSED IL 84 TYPICAL SECTION

STA. 721+09.86 TO STA. 725+08.27
S.E. TRANSITION FROM 721+52.00 (2.4%) TO 722+91.00 (N.C.)

IL 84

STRUCTURAL DESIGN TRAFFIC:		YEAR <u>2025</u>
PV = <u>2,085</u>	SU = <u>75</u>	MU = <u>190</u>
ROAD/STREET CLASSIFICATION:		CLASS <u>II</u>
PERCENT OF STRUCTURAL DESIGN TRAFFIC IN DESIGN LANE:		
P = <u>50%</u>	S = <u>50%</u>	M = <u>50%</u>
TRAFFIC FACTOR	ACTUAL TF = <u>0.82</u>	MINIMUM TF = <u>3.17</u>
PG GRADE: BINDER = <u>64-22</u>		
SUBGRADE SUPPORT RATING: SSR = <u>POOR</u>		

FILE NAME = c:\p\work\king\illinois\35361\dm\04105\200111YP_205.dgn

USER NAME = 35361	DESIGNED - JB	REVISED -
	DRAWN - JB	REVISED -
PLOT SCALE = 20.00' / in.	CHECKED - FZ	REVISED -
PLOT DATE = 3/20/2015	DATE - 03-12-2015	REVISED -

**STATE OF ILLINOIS
DEPARTMENT OF TRANSPORTATION**

PROPOSED TYPICAL SECTIONS

SCALE: N/A SHEET 5 OF 7 SHEETS STA. TO STA.

F.A.P. RTE.	SECTION	COUNTY	TOTAL SHEETS	SHEET NO.
17	104B-2	CARROLL/JACKSON	528	35
CONTRACT NO. 64G59				
FED. ROAD DIST. NO. ILLINOIS FED. AID PROJECT				

PROPOSED LEGEND

- ① HOT-MIX ASPHALT PAVEMENT (FULL-DEPTH), 9 3/4" •
- ② HOT-MIX ASPHALT PAVEMENT (FULL-DEPTH), 9 1/2" •
- ③ HMA SHOULDERS 6" & HMA SC "C" N50 (2") •
- ④ HOT-MIX ASPHALT SHOULDERS, 8", SPECIAL •
- ⑤ COMBINATION CONCRETE CURB AND GUTTER, TYPE M-4.24
- ⑥ COMBINATION CONCRETE CURB AND GUTTER, TYPE B-6.24
- ⑦ PORTLAND CEMENT CONCRETE DRIVEWAY PAVEMENT, 7"
- ⑧ AGGREGATE SUBGRADE IMPROVEMENT, 12"
- ⑨ PORTLAND CEMENT CONCRETE SIDEWALK 5 INCH
- ⑩ STEEL PLATE BEAM GUARDRAIL, TYPE A, 6 FOOT POSTS
- ⑪ STORM SEWER (SEE DRAINAGE PLANS)
- ⑫ AGGREGATE SHOULDERS, TYPE B 8"
- ⑬ CONCRETE GUTTER (SPECIAL)
- ⑭ SUBBASE GRANULAR MATERIAL, TYPE C
- ⑮ TOPSOIL F & P 4 & SEEDING (SEE LANDSCAPING PLANS)
- ⑯ EMBANKMENT
- ⑰ CHAIN LINK FENCE, 4' ATTACHED TO STRUCTURE
- ⑱ GEOTECHNICAL REINFORCEMENT
- ⑲ GEOTECHNICAL FABRIC
- ⑳ STONE RIPRAP, CLASS A5
- ㉑ GRANULAR EMBANKMENT, SPECIAL
- ㉒ PIPE UNDERDRAINS 4"
- ㉓ BEDDING (INCLUDED IN ITEM 20)
- ㉔ FILTER FABRIC
- ㉕ CONCRETE MEDIAN, TYPE SM-4.24
- ㉖ STONE RIPRAP, CLASS A2 (INCLUDED IN ITEM 20)
- ㉗ STONE RIPRAP, CLASS A1
- ㉘ ROCK FILL
- ㉙ RETAINING WALL

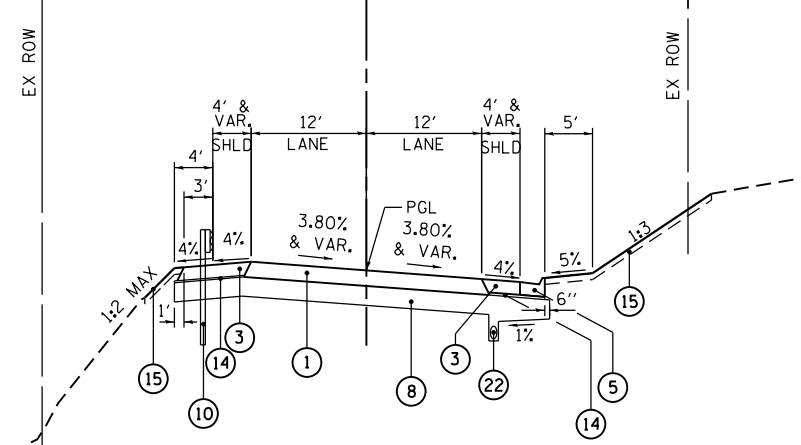
• SEE GENERAL NOTES FOR MIXTURE REQUIREMENTS

2" SURFACE	2" SURFACE	2" TOP LIFT
3.75" TOP LIFT BINDER	3.50" TOP LIFT BINDER	
4" ALL OTHER LIFTS	4" ALL OTHER LIFTS	LOWER LIFTS

HOT-MIX ASPHALT PAVEMENT (FULL-DEPTH), 9 3/4"	HOT-MIX ASPHALT PAVEMENT (FULL-DEPTH), 9 1/2"	SHOULDERS
---	---	-----------

☐ PROPOSED IL 84
60' - 80' & VARIES

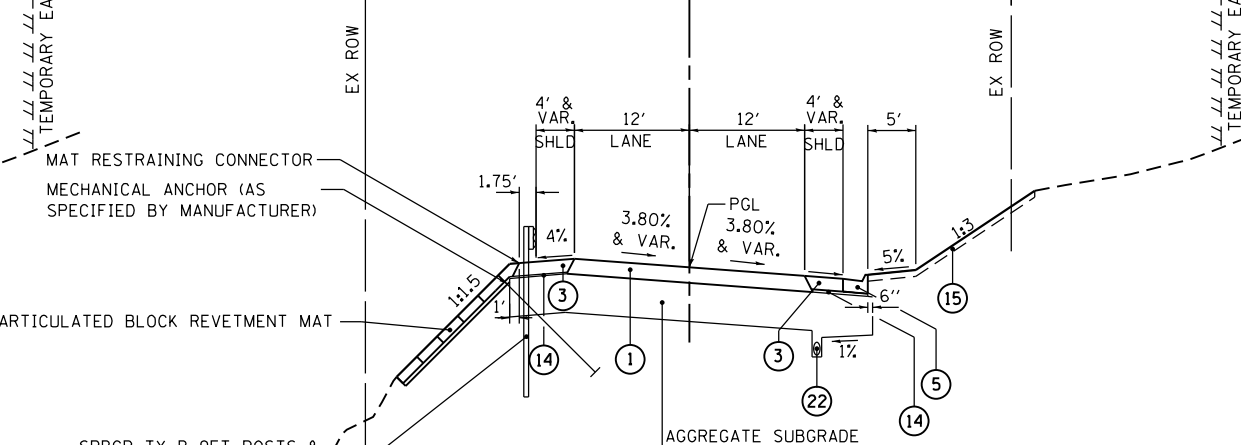
SEE D2 DETAIL 23.4 FOR HMA SHLD AT GUARDRAIL LOCATIONS



M PROPOSED IL 84 TYPICAL SECTION
STA. 725+08.27 TO STA. 727+00.00
S.E. TRANSITION FROM 724+62.00 (N.C.) TO 726+02.00 (3.80%)

☐ PROPOSED IL 84
60' - 80' & VARIES

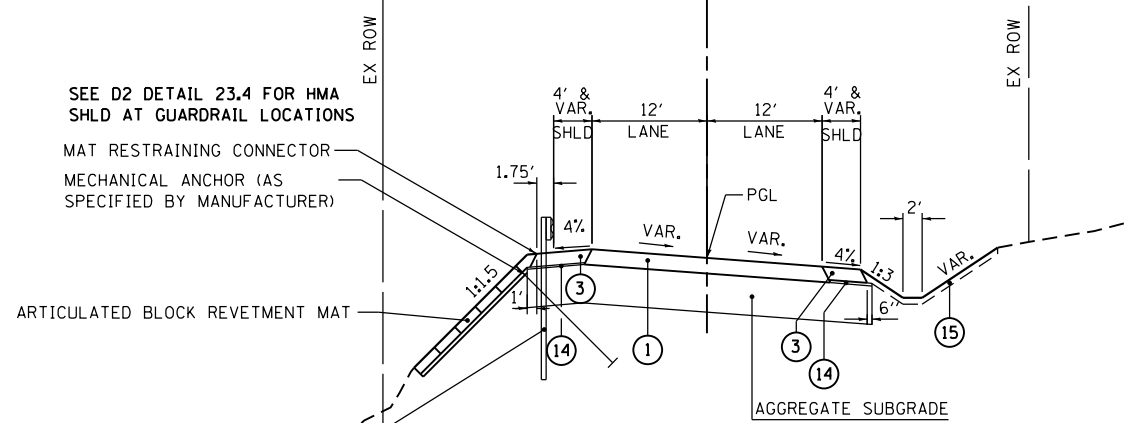
SEE D2 DETAIL 23.4 FOR HMA SHLD AT GUARDRAIL LOCATIONS



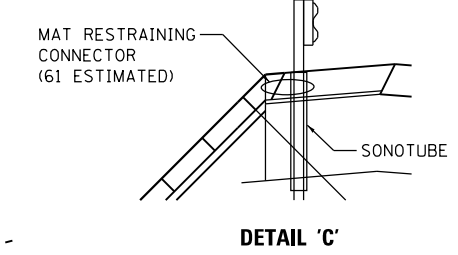
N PROPOSED IL 84 TYPICAL SECTION
STA. 727+00.00 TO STA. 728+09.00
S.E. TRANSITION FROM 727+47.00 (3.80%) TO 728+87.00 (N.C.)

☐ PROPOSED IL 84
60' - 80' & VARIES

SEE D2 DETAIL 23.4 FOR HMA SHLD AT GUARDRAIL LOCATIONS



O PROPOSED IL 84 TYPICAL SECTION
STA. 728+09.00 TO STA. 728+90.00
S.E. TRANSITION FROM 727+47.00 (3.80%) TO 728+87.00 (N.C.)



FILE NAME = c:\p\work\king\illinois\35361\dm\04105\200111\TP_205.dgn

USER NAME = 35361	DESIGNED - JB	REVISED -	
	DRAWN - JB	REVISED -	
PLOT SCALE = 20.00' / in.	CHECKED - FZ	REVISED -	
PLOT DATE = 3/20/2015	DATE - 03-12-2015	REVISED -	

**STATE OF ILLINOIS
DEPARTMENT OF TRANSPORTATION**

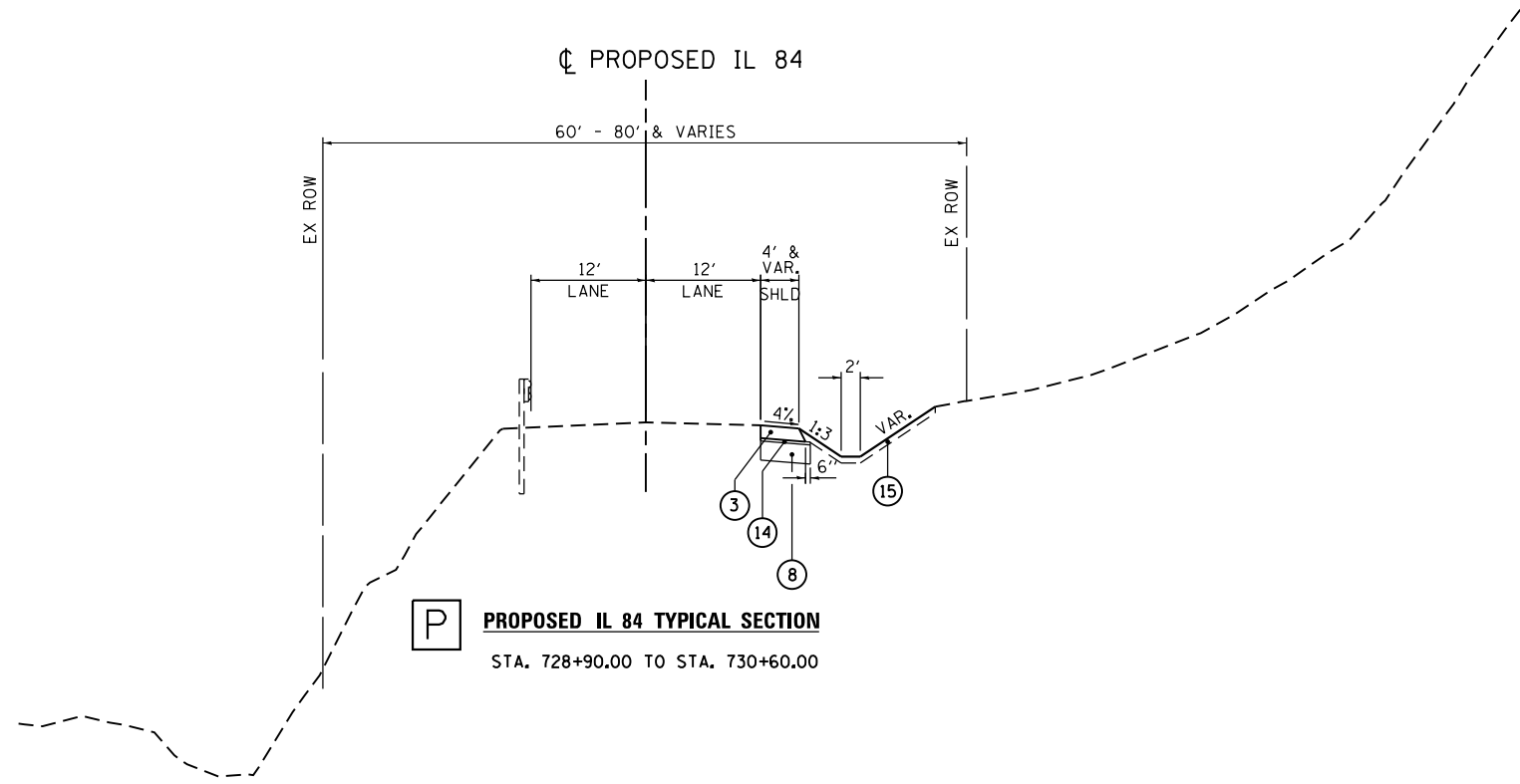
PROPOSED TYPICAL SECTIONS

SCALE: N/A SHEET 6 OF 7 SHEETS STA. TO STA.

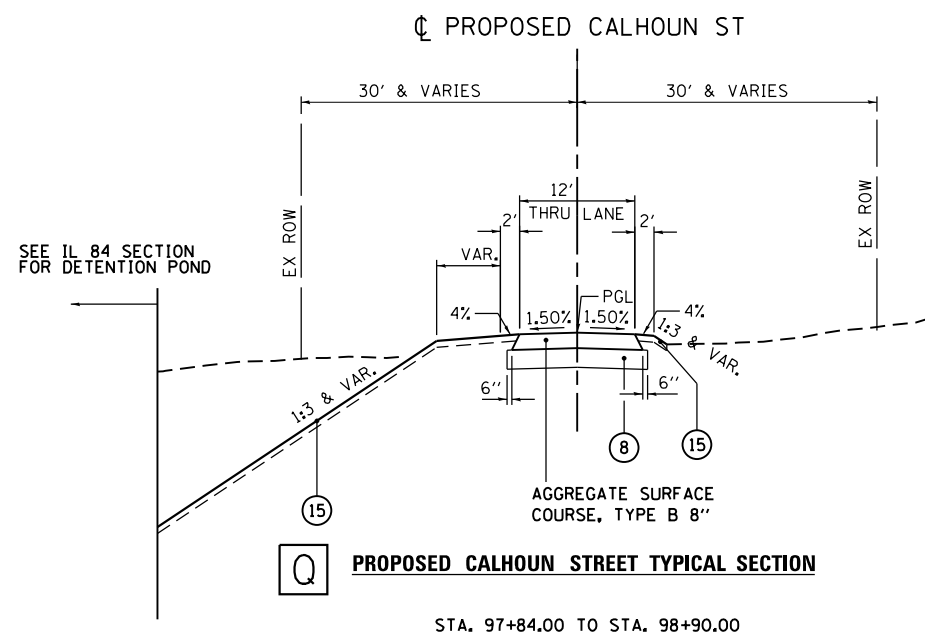
F.A.P. RTE.	SECTION	COUNTY	TOTAL SHEETS	SHEET NO.
17	104B-2	CARROLL/JACKSON	528	36
CONTRACT NO. 64G59				
FED. ROAD DIST. NO. ILLINOIS FED. AID PROJECT				

PROPOSED LEGEND

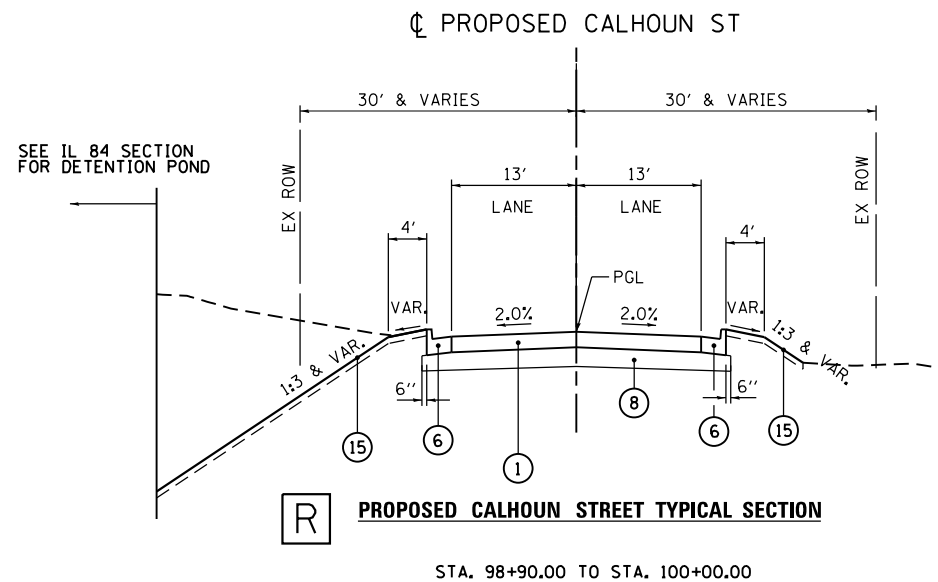
- ① HOT-MIX ASPHALT PAVEMENT (FULL-DEPTH), 9 3/4" •
 - ② HOT-MIX ASPHALT PAVEMENT (FULL-DEPTH), 9 1/2" •
 - ③ HMA SHOULDERS 6" & HMA SC "C" N50 (2") •
 - ④ HOT-MIX ASPHALT SHOULDERS, 8", SPECIAL •
 - ⑤ COMBINATION CONCRETE CURB AND GUTTER, TYPE M-4.24
 - ⑥ COMBINATION CONCRETE CURB AND GUTTER, TYPE B-6.24
 - ⑦ PORTLAND CEMENT CONCRETE DRIVEWAY PAVEMENT, 7"
 - ⑧ AGGREGATE SUBGRADE IMPROVEMENT, 12"
 - ⑨ PORTLAND CEMENT CONCRETE SIDEWALK 5 INCH
 - ⑩ STEEL PLATE BEAM GUARDRAIL, TYPE A, 6 FOOT POSTS
 - ⑪ STORM SEWER (SEE DRAINAGE PLANS)
 - ⑫ AGGREGATE SHOULDERS, TYPE B 8"
 - ⑬ CONCRETE GUTTER (SPECIAL)
 - ⑭ SUBBASE GRANULAR MATERIAL, TYPE C
 - ⑮ TOPSOIL F & P 4 & SEEDING (SEE LANDSCAPING PLANS)
 - ⑯ EMBANKMENT
 - ⑰ CHAIN LINK FENCE, 4' ATTACHED TO STRUCTURE
 - ⑱ GEOTECHNICAL REINFORCEMENT
 - ⑲ GEOTECHNICAL FABRIC
 - ⑳ STONE RIPRAP, CLASS A5
 - ㉑ GRANULAR EMBANKMENT, SPECIAL
 - ㉒ PIPE UNDERDRAINS 4"
 - ㉓ BEDDING (INCLUDED IN ITEM 20)
 - ㉔ FILTER FABRIC
 - ㉕ CONCRETE MEDIAN, TYPE SM-4.24
 - ㉖ STONE RIPRAP, CLASS A2 (INCLUDED IN ITEM 20)
 - ㉗ STONE RIPRAP, CLASS A1
 - ㉘ ROCK FILL
 - ㉙ RETAINING WALL
- SEE GENERAL NOTES FOR MIXTURE REQUIREMENTS



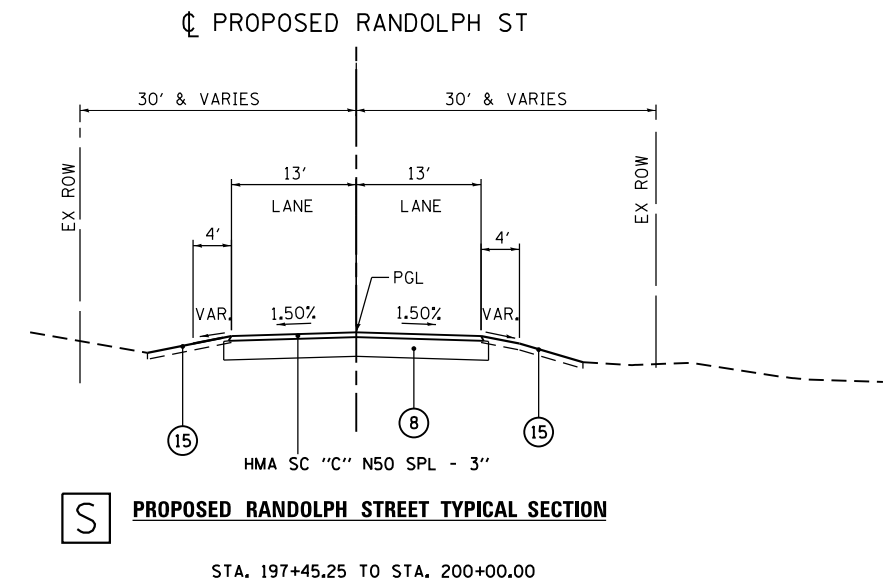
P PROPOSED IL 84 TYPICAL SECTION
STA. 728+90.00 TO STA. 730+60.00



Q PROPOSED CALHOUN STREET TYPICAL SECTION
STA. 97+84.00 TO STA. 98+90.00



R PROPOSED CALHOUN STREET TYPICAL SECTION
STA. 98+90.00 TO STA. 100+00.00



S PROPOSED RANDOLPH STREET TYPICAL SECTION
STA. 197+45.25 TO STA. 200+00.00

FILE NAME = c:\p\sect\king\illinois\35361\dm04105\200111YP_207.dgn

USER NAME = 35361	DESIGNED - JB	REVISED -
	DRAWN - JB	REVISED -
PLOT SCALE = 20.00' / in.	CHECKED - FZ	REVISED -
PLOT DATE = 3/20/2015	DATE - 03-12-2015	REVISED -

**STATE OF ILLINOIS
DEPARTMENT OF TRANSPORTATION**

PROPOSED TYPICAL SECTIONS

SCALE: N/A SHEET 7 OF 7 SHEETS STA. TO STA.

F.A.P. RTE.	SECTION	COUNTY	TOTAL SHEETS	SHEET NO.
17	104B-2	CARROLL/JACKSON	528	37
FED. ROAD DIST. NO. ILLINOIS FED. AID PROJECT			CONTRACT NO. 64G59	

CROSS SECTION EARTHWORK

PRE-STAGE

LOCATION STA. TO STA.		EARTH EXCAVATION (INCLUDES RIPRAP REMOVAL)	SUITABLE EARTH EXC. TO BE USED IN ROCK FILL (15% SHRINKAGE)	REMOVAL & DISPOSAL OF UNSUITABLE MATERIAL	ROCK FILL	EMBANKMENT REQUIRED	EARTHWORK BALANCE SEE NOTE 3	GRANULAR EMBANKMENT, SPECIAL	STONE RIPRAP, CLASS A1	STONE RIPRAP, CLASS A5	STONE RIPRAP, CLASS A5
US 52		(CU YD)	(CU YD)	(CU YD)	(CU YD)	(CU YD)	(CU YD)	(CU YD)	(CU YD)	(CU YD)	(SQ YD)
1546+00.00	1546+50.00	0.0	0.0	0.0	0.0	0.0	0.0	0.0	0.0	0.0	0.0
1546+50.00	1547+00.00	46.4	39.5	61.8	22.3	80.6	-80.6	6.1	9.3	28.2	73.3
1547+00.00	1547+50.00	92.9	78.9	138.2	59.2	195.1	-195.1	14.3	21.6	59.3	147.8
1547+50.00	1548+00.00	91.9	78.1	156.8	78.7	236.2	-236.2	16.3	24.6	62.3	150.0
1548+00.00	1548+50.00	91.2	77.5	161.8	84.2	248.3	-248.3	16.5	25.0	62.2	152.1
1548+50.00	1549+00.00	91.4	77.6	162.6	85.0	259.8	-259.8	17.3	26.1	60.9	154.2
1549+00.00	1549+50.00	91.9	78.1	161.6	83.4	272.4	-272.4	18.0	27.1	59.3	156.2
1549+50.00	1550+00.00	92.6	78.7	162.6	83.9	281.6	-281.6	18.4	27.6	60.6	157.7
1550+00.00	1550+50.00	93.3	79.3	144.9	65.6	250.8	-250.8	16.0	23.9	55.4	155.2
1550+50.00	1551+00.00	94.9	80.6	103.4	22.8	108.5	-108.5	12.2	17.4	151.6	160.1
1551+00.00	1551+50.00	93.6	79.5	76.2	-3.3	0.0	0.0	10.1	12.8	235.3	95.8
1551+50.00	1552+00.00	484.3	411.6	35.3	-376.3	0.0	0.0	4.6	5.6	167.9	24.3
1552+00.00	1552+50.00	488.1	414.9	35.5	-379.4	0.0	0.0	1.5	1.6	138.0	24.3
1552+50.00	1553+00.00	105.1	89.3	35.5	-53.8	0.0	0.0	2.3	2.3	150.3	23.7
1553+00.00	1553+50.00	103.6	88.0	59.4	-28.6	0.2	-0.2	0.8	0.9	154.0	14.9
1553+50.00	1554+00.00	94.0	79.9	148.8	68.9	0.8	-0.8	1.2	1.5	184.9	14.9
1554+00.00	1554+50.00	90.7	77.1	190.7	113.6	0.6	-0.6	4.0	5.1	232.2	23.7
1554+50.00	1555+00.00	88.4	75.1	224.1	148.9	0.0	0.0	6.3	7.7	292.0	23.7
1555+00.00	1555+50.00	88.4	75.2	240.4	165.2	0.0	0.0	7.4	10.0	340.4	23.7
1555+50.00	1556+00.00	91.0	77.3	245.4	168.1	0.0	0.0	7.8	12.0	369.6	23.7
1556+00.00	1556+50.00	93.0	79.1	267.0	188.0	82.4	-82.4	10.9	16.9	291.0	77.8
1556+50.00	1557+00.00	91.9	78.1	302.6	224.5	211.4	-211.4	17.5	26.8	225.6	130.9
1557+00.00	1557+50.00	98.7	83.9	353.9	269.9	286.8	-286.8	23.6	35.8	294.2	128.7
1557+50.00	1558+00.00	104.4	88.8	386.8	298.1	326.4	-326.4	26.5	40.2	329.7	127.6
1558+00.00	1558+50.00	102.2	86.8	390.7	303.9	315.7	-315.7	25.3	38.3	330.0	128.1
1558+50.00	1559+00.00	108.9	92.5	343.1	250.5	235.9	-235.9	19.1	29.0	273.5	131.6
1559+00.00	1559+50.00	115.0	97.7	277.7	179.9	169.9	-169.9	13.7	20.9	194.2	140.6
1559+50.00	1560+00.00	118.3	100.5	296.6	196.0	334.9	-334.9	21.1	32.0	223.0	157.1
1560+00.00	1560+50.00	113.4	96.4	433.1	336.7	808.4	-808.4	42.1	63.4	390.3	178.5
1560+50.00	END	106.5	90.5	541.5	451.0	666.8	-666.8	57.0	85.8	547.0	215.8
SUBTOTAL		3,565.8	3,030.9	6,137.9	3,106.9	5,373.5	-5,373.5	437.7	651.4	5,962.9	3,015.8

- NOTES:
- EARTH EXCAVATION, STOCKPILE (IF REQUIRED) AND SUBSEQUENT PLACEMENT (WHEN APPLICABLE) SHALL ONLY BE MEASURED AND PAID FOR ONCE, AND NOT FOR EACH TRANSPORT. EARTH EXCAVATION TO BE STOCKPILED, REQUIRES APPROVAL BY THE ENGINEER. ALL STOCKPILES MUST BE REMOVED BY THE END OF PROJECT CONSTRUCTION.
 - SUITABLE EARTH EXCAVATION SHALL REMAIN ON SITE WITHIN THE PROJECT LIMITS AND BE PLACED AT THE DIRECTION OF THE ENGINEER.
 - (-) INDICATES SHORTAGE. FURNISHED EXCAVATION OR EARTH EXCAVATION IS REQUIRED.
(+) INDICATES SURPLUS. EARTH EXCAVATION TO BE USED ELSEWHERE WITHIN THE PROJECT LIMITS.
 - IF THE EXISTING TOPSOIL TO BE STRIPPED FROM IL 84, CALHOUN AND RANDOLPH IS SUITABLE FOR USE AS PROPOSED TOPSOIL, THE PROPOSED TOPSOIL 4" CAN BE OBTAINED FROM WITHIN THE JOBSITE. THE PROPOSED TOPSOIL PLACEMENT SHALL BE PAID FOR AS TOPSOIL FURNISH AND PLACE, 4". EXCESS TOPSOIL STRIPPED SHALL BE REMOVED AND PAID FOR AS EARTH EXCAVATION.
 - EXCAVATED RIPRAP MATERIALS FREE OF MISCELLANEOUS DEBRIS CAN BE REUSED AS ROCK FILL BELOW RIVER LEVEL. REUSE OF EXISTING RIPRAP SHALL BE APPROVED BY THE ENGINEER.
 - THE CONVERSION RATE FOR STONE RIPRAP, CLASS A1 FROM CU YD TO TONS IS 1.75 TONS/CU YD. THE CONVERSION RATE FOR STONE RIPRAP, CLASS A5 FROM CU YD TO TONS IS 1.65 TONS/CU YD.

LOCATION STA. TO STA.		ROCK EXCAVATION	EARTH EXCAVATION	STRUCTURE EXCAVATION	SUITABLE ROCK, EARTH, STRUCTURE EXCAVATION TO BE USED IN EMBANKMENT (15% SHRINKAGE)	EMBANKMENT REQUIRED	EARTHWORK BALANCE SEE NOTE 3
IL 84		(CU YD)	(CU YD)	(CU YD)	(CU YD)	(CU YD)	(CU YD)
705+40.00	705+50.00						
705+50.00	706+00.00						
706+00.00	706+50.00						
706+50.00	707+00.00						
707+00.00	707+50.00						
707+50.00	708+00.00						
708+00.00	708+50.00						
708+50.00	709+00.00						
709+00.00	709+50.00		16.6		14.1	0.2	13.9
709+50.00	710+00.00		36.6		31.1	0.2	30.9
710+00.00	710+50.00		40.8		34.7	0.0	34.7
710+50.00	711+00.00		33.2		28.3	67.0	-38.7
711+00.00	711+50.00		21.4		18.2	258.0	-239.8
711+50.00	712+00.00		18.1		15.3	425.2	-409.8
712+00.00	712+50.00		38.4		32.7	234.2	-201.5
712+50.00	713+00.00		54.0		45.9	30.9	15.0
713+00.00	713+50.00		37.7		32.0	183.2	-151.2
713+50.00	714+00.00		22.7		19.3	375.4	-356.1
714+00.00	714+50.00		41.9		35.6	447.7	-412.1
714+50.00	715+00.00		64.6		54.9	262.0	-207.1
715+00.00	715+50.00		54.5		46.4	37.5	8.9
715+50.00	716+00.00		33.8		28.7	0.2	28.5
716+00.00	716+50.00		11.7		9.9	0.1	9.8
716+50.00	717+00.00		0.0		0.0	0.0	0.0
717+00.00	717+50.00		0.0		0.0	0.0	0.0
717+50.00	718+00.00		7.4		6.3	0.0	6.3
718+00.00	718+50.00		10.6		9.0	0.0	9.0
718+50.00	719+00.00		7.8		6.6	0.0	6.6
719+00.00	719+50.00		11.1		9.4	0.0	9.4
719+50.00	720+00.00		14.9		12.7	0.0	12.7
720+00.00	720+50.00		16.9		14.4	0.0	14.4
720+50.00	721+00.00		16.4		13.9	0.0	13.9
721+00.00	721+50.00		14.5		12.4	0.0	12.4
721+50.00	722+00.00		15.0		12.8	0.0	12.8
722+00.00	722+50.00		16.3		13.9	0.0	13.9
722+50.00	723+00.00		14.2		12.0	0.0	12.0
723+00.00	723+50.00		12.6		10.7	0.0	10.7
723+50.00	724+00.00		12.8		10.9	0.0	10.9
724+00.00	724+50.00		12.9		10.9	0.0	10.9
724+50.00	725+00.00		12.7		10.8	0.0	10.8
725+00.00	725+50.00		11.5		9.8	0.0	9.8
725+50.00	726+00.00		10.6		9.0	0.0	9.0
726+00.00	726+50.00		10.3		8.7	0.0	8.7
726+50.00	727+00.00		10.6		9.1	0.0	9.1
727+00.00	727+50.00		10.9		9.3	0.0	9.3
727+50.00	728+00.00		10.3		8.7	0.0	8.7
728+00.00	728+50.00		9.4		7.9	0.0	7.9
728+50.00	728+90.00		6.4		5.4	0.0	5.4
728+90.00	729+00.00		1.4		1.2	0.0	1.2
729+00.00	729+50.00		6.6		5.6	0.4	5.2
729+50.00	730+00.00		5.7		4.9	1.0	3.9
730+00.00	730+50.00		11.8		10.0	0.9	9.1
730+50.00	731+00.00		9.1		7.7	0.4	7.3
SUBTOTAL		0.0	836.4	0.0	711.0	2,324.5	-1,613.5
RANDOLPH ST							
197+49.00	197+50.00		0.0		0.0	0.0	0.0
197+50.00	198+00.00		1.3		1.1	0.0	1.1
198+00.00	198+50.00		58.1		49.4	2.0	47.4
198+50.00	199+00.00		58.5		49.7	1.7	48.1
199+00.00	199+50.00		57.0		48.5	2.7	45.8
199+50.00	END		54.3		46.1	3.1	43.1
SUBTOTAL		0.0	229.2	0.0	194.8	9.5	185.4
CALHOUN ST							
94+78.16	95+00.00		25.5		21.7	1.2	20.4
95+00.00	95+50.00		65.4		55.6	1.2	54.4
95+50.00	96+00.00		70.5		59.9	0.4	59.5
96+00.00	96+50.00		68.7		58.4	1.6	56.8
96+50.00	97+00.00		72.0		61.2	11.2	50.0
97+00.00	97+50.00		68.2		58.0	26.3	31.7
97+50.00	98+00.00		52.9		44.9	16.7	28.3
98+00.00	98+50.00		57.8		49.1	6.1	43.0
98+50.00	99+00.00		50.7		43.1	21.6	21.6
99+00.00	99+50.00		99.1		84.2	20.1	64.1
SUBTOTAL		0.0	630.8	0.0	536.1	106.3	429.8

FILE NAME = c:\p\work\king\illinois\35361\dm04105\2011\SCH. 201.dgn

USER NAME = 35361	DESIGNED - JB	REVISED -
	DRAWN - SQ	REVISED -
PLOT SCALE = 2.0000' / in.	CHECKED - JC	REVISED -
PLOT DATE = 3/20/2015	DATE - 03-12-2015	REVISED -

STATE OF ILLINOIS DEPARTMENT OF TRANSPORTATION

SCHEDULE OF QUANTITIES 1				
SCALE: N/A	SHEET 1	OF 20	SHEETS	STA. TO STA.

F.A.P. RTE.	SECTION	COUNTY	TOTAL SHEETS	SHEET NO.
17	104B-2	CARROLL/JACKSON	528	38
CONTRACT NO. 64G59				
FED. ROAD DIST. NO. ILLINOIS FED. AID PROJECT				

CROSS SECTION EARTHWORK

STAGE 1

LOCATION STA. TO STA.	EARTH EXCAVATION (INCLUDES RIPRAP REMOVAL)	SUTIABLE EARTH EXC. TO BE USED IN ROCK FILL (15% SHRINKAGE)	REMOVAL & DISPOSAL OF UNSUITABLE MATERIAL	ROCK FILL	EMBANKMENT REQUIRED	EARTHWORK BALANCE SEE NOTE 3	GRANULAR EMBANKMENT, SPECIAL	STONE RIPRAP, CLASS A1	STONE RIPRAP, CLASS A5	STONE RIPRAP, CLASS A5	
US 52	(CU YD)	(CU YD)	(CU YD)	(CU YD)	(CU YD)	(CU YD)	(CU YD)	(CU YD)	(CU YD)	(SQ YD)	
1546+00.00	1546+50.00	0.0	0.0	0.0	0.0	0.0	0.0	0.0	0.0	0.0	
1546+50.00	1547+00.00	47.2	40.1	86.2	46.1	91.9	-91.9	6.9	10.3	45.8	
1547+00.00	1547+50.00	93.6	79.6	189.1	109.5	215.5	-215.5	15.6	23.3	105.3	
1547+50.00	1548+00.00	92.1	78.3	213.5	135.2	248.6	-248.6	17.2	25.8	125.6	
1548+00.00	1548+50.00	94.0	79.9	207.0	127.2	261.6	-261.6	17.7	26.2	118.0	
1548+50.00	1549+00.00	99.3	84.4	185.9	101.6	279.5	-279.5	18.8	27.2	93.3	
1549+00.00	1549+50.00	100.4	85.3	180.7	95.4	283.9	-283.9	18.7	27.1	91.8	
1549+50.00	1550+00.00	98.1	83.3	198.1	114.8	299.4	-299.4	18.7	27.7	115.1	
1550+00.00	1550+50.00	96.4	81.9	243.5	161.6	359.0	-359.0	21.4	32.1	157.3	
1550+50.00	1551+00.00	96.7	82.2	281.7	199.5	443.3	-443.3	25.1	37.9	189.0	
1551+00.00	1551+50.00	99.4	84.5	287.8	203.3	493.5	-493.5	26.9	40.4	190.3	
1551+50.00	1552+00.00	101.6	86.3	289.7	203.4	510.6	-510.6	27.2	40.9	192.3	
1552+00.00	1552+50.00	100.3	85.2	309.4	224.2	545.1	-545.1	29.5	44.5	203.1	
1552+50.00	1553+00.00	98.4	83.7	320.6	237.0	576.1	-576.1	32.3	48.5	202.2	
1553+00.00	1553+50.00	101.9	86.6	299.4	212.9	571.6	-571.6	32.0	48.0	181.1	
1553+50.00	1554+00.00	100.6	85.6	301.3	215.7	552.7	-552.7	31.6	47.5	178.4	
1554+00.00	1554+50.00	96.7	82.2	307.2	225.1	796.5	-796.5	30.5	46.2	181.0	
1554+50.00	1555+00.00	97.6	83.0	281.9	198.9	747.1	-747.1	27.8	42.1	165.0	
1555+00.00	1555+50.00	99.2	84.3	258.9	174.6	406.2	-406.2	24.7	37.5	151.2	
1555+50.00	1556+00.00	101.6	86.3	252.7	166.3	322.3	-322.3	21.1	32.0	154.7	
1556+00.00	1556+50.00	101.1	85.9	262.2	176.3	247.3	-247.3	17.6	26.5	170.1	
1556+50.00	1557+00.00	95.9	81.5	255.8	174.3	231.7	-231.7	13.9	21.0	165.0	
1557+00.00	1557+50.00	93.9	79.8	208.5	128.7	123.2	-123.2	5.9	9.2	181.9	
1557+50.00	1558+00.00	92.2	78.4	125.7	47.4	0.0	0.0	0.0	0.0	216.7	
1558+00.00	1558+50.00	91.9	78.2	140.7	62.6	0.0	0.0	0.0	0.0	206.6	
1558+50.00	1559+00.00	87.7	74.5	234.4	159.9	0.0	0.0	0.0	0.0	296.7	
1559+00.00	1559+50.00	88.1	74.9	203.5	128.6	0.0	0.0	0.0	0.0	309.3	
1559+50.00	1560+00.00	97.1	82.6	134.3	51.7	0.0	0.0	0.0	0.0	210.4	
1560+00.00	1560+50.00	101.5	86.3	144.9	58.6	0.0	0.0	0.0	0.0	229.5	
1560+50.00	END	52.2	44.4	81.1	36.7	0.0	0.0	0.0	0.0	126.0	
SUBTOTAL		2,716.7	2,309.2	6,486.1	4,176.9	8,606.7	-8,606.7	481.3	722.0	4,952.6	3,464.4

LOCATION STA. TO STA.	ROCK EXCAVATION	EARTH EXCAVATION	STRUCTURE EXCAVATION, ROCK EXCAVATION FOR STRUCTURES	SUTIABLE ROCK, EARTH, STRUCTURE EXCAVATION TO BE USED IN EMBANKMENT (15% SHRINKAGE)	EMBANKMENT REQUIRED	EARTHWORK BALANCE SEE NOTE 3	GRANULAR EMBANKMENT, SPECIAL	
IL 84	(CU YD)	(CU YD)	(CU YD)	(CU YD)	(CU YD)	(CU YD)	(CU YD)	
703+10.00	703+50.00		5.0					
703+50.00	704+00.00		9.4					
704+00.00	704+50.00		13.1					
704+50.00	705+00.00		18.8					
705+00.00	705+40.00		21.3					
705+40.00	705+50.00		6.2	5.3	0.0	5.3		
705+50.00	706+00.00		28.7	24.4	0.0	24.4		
706+00.00	706+50.00		25.0	21.3	0.0	21.3		
706+50.00	707+00.00		24.7	21.0	0.0	21.0		
707+00.00	707+50.00		26.4	22.4	0.0	22.4		
707+50.00	708+00.00		28.7	24.4	0.0	24.4		
708+00.00	708+50.00		28.6	24.3	0.0	24.3		
708+50.00	709+00.00		24.3	20.6	0.0	20.6		
709+00.00	709+50.00		44.9	38.2	0.0	38.2		
709+50.00	710+00.00	0.0	140.6	36.4	5.5	145.0	1.2	
710+00.00	710+50.00	0.0	236.0	87.2	10.9	263.8	2.8	
710+50.00	711+00.00	0.0	210.5	87.4	10.9	242.2	12.2	
711+00.00	711+50.00	0.0	156.3	72.9	10.9	183.9	12.3	
711+50.00	712+00.00	0.0	135.6	69.1	10.9	163.1	3.3	
712+00.00	712+50.00	0.0	92.5	59.8	10.9	118.5	4.4	
712+50.00	713+00.00	0.0	54.2	51.3	10.9	78.8	5.4	
713+00.00	713+50.00	0.0	35.7	45.8	10.9	58.4	9.7	
713+50.00	714+00.00	0.0	28.7	44.6	10.9	51.4	12.5	
714+00.00	714+50.00	0.0	31.9	46.2	10.9	55.5	11.9	
714+50.00	715+00.00	0.0	36.5	44.6	10.9	58.0	14.9	
715+00.00	715+50.00	0.0	53.4	46.3	10.9	73.8	13.8	
715+50.00	716+00.00	0.0	85.4	55.5	10.9	108.9	7.1	
716+00.00	716+50.00	0.0	171.6	68.1	10.9	192.8	5.1	
716+50.00	717+00.00	55.9	258.2	98.9	10.9	340.1	4.0	
717+00.00	717+50.00	95.9	340.1	133.5	10.9	473.2	2.3	
717+50.00	718+00.00	40.0	487.9	151.9	10.9	566.9	7.7	
718+00.00	718+50.00	174.6	432.1	158.3	10.9	639.4	7.9	
718+50.00	719+00.00	174.6	478.8	157.2	10.9	678.1	3.8	
719+00.00	719+50.00	0.0	740.3	150.9	10.9	746.5	14.4	
719+50.00	720+00.00	0.0	1,008.1	158.3	10.9	980.5	12.8	
720+00.00	720+50.00	0.0	1,077.3	163.6	10.9	1,043.8	0.3	
720+50.00	721+00.00	0.0	913.9	150.0	10.9	893.4	0.0	
721+00.00	721+50.00	0.0	901.3	145.2	10.9	878.6	0.0	
721+50.00	722+00.00	0.0	910.6	147.5	10.9	888.4	0.0	
722+00.00	722+50.00	0.0	754.0	143.4	10.9	751.9	0.0	
722+50.00	723+00.00	0.0	625.4	123.1	10.9	625.3	0.9	
723+00.00	723+50.00	0.0	633.8	114.8	10.9	625.3	1.9	
723+50.00	724+00.00	0.0	708.2	136.2	10.9	706.8	0.9	
724+00.00	724+50.00	0.0	636.6	129.3	10.9	640.0	0.5	
724+50.00	725+00.00	0.0	391.4	95.3	10.9	402.8	1.0	
725+00.00	725+50.00	0.0	257.2	32.6	5.5	240.9	0.6	
725+50.00	726+00.00		164.6	139.9	0.0	139.9		
726+00.00	726+50.00		122.5	104.1	0.0	104.1		
726+50.00	727+00.00		94.1	80.0	0.0	80.0		
727+00.00	727+50.00		66.9	56.8	0.0	56.8		
727+50.00	728+00.00		69.3	58.9	0.0	58.9		
728+00.00	728+50.00		42.6	36.2	0.0	36.2		
728+50.00	728+90.00		43.0	36.5	0.0	36.5		
728+90.00	729+00.00		13.6	11.6	0.0	11.6		
729+00.00	729+50.00		35.6	30.3	3.4	26.9		
729+50.00	730+00.00		11.9	10.1	9.3	0.8		
730+00.00	730+50.00		11.6	9.8	5.8	4.0		
730+50.00	731+00.00		6.2	5.3	0.0	5.3		
SUBTOTAL		541.1	14,010.9	3,205.0	15,035.9	357.2	14,678.7	175.6

FILE NAME = p:\tsp\lab2\parc01\lupersons.com\illinois State\Documents\US52IL64 - 647512\Design\CADD\Roadway\Sheet_Brldge-P2_200111SCH_1202.dgn

USER NAME = p005313a	DESIGNED - JB	REVISED -
	DRAWN - SO	REVISED -
PLOT SCALE = 2.0000 ' / in.	CHECKED - JC	REVISED -
PLOT DATE = 3/23/2015	DATE - 03-12-2015	REVISED -

**STATE OF ILLINOIS
DEPARTMENT OF TRANSPORTATION**

SCHEDULE OF QUANTITIES 2

SCALE: N/A SHEET 2 OF 20 SHEETS STA. TO STA.

F.A.P. RTE.	SECTION	COUNTY	TOTAL SHEETS	SHEET NO.
17	104B-2	CARROLL/JACKSON	528	39
CONTRACT NO. 64G59				
FED. ROAD DIST. NO. ILLINOIS FED. AID PROJECT				

CROSS SECTION EARTHWORK

STAGE 2A

LOCATION STA. TO STA.	EARTH EXCAVATION (INCLUDES RIPRAP REMOVAL) (CU YD)	SUTIABLE EARTH EXC. TO BE USED IN EMBANKMENT (15% SHRINKAGE) (CU YD)	REMOVAL & DISPOSAL OF UNSUITABLE MATERIAL (CU YD)	ROCK FILL (CU YD)	EMBANKMENT REQUIRED (CU YD)	EARTHWORK BALANCE SEE NOTE 3 (CU YD)	GRANULAR EMBANKMENT, SPECIAL (CU YD)	STONE RIPRAP, CLASS A1 (CU YD)	STONE RIPRAP, CLASS A5 (CU YD)	STONE RIPRAP, CLASS A5 (SQ YD)
US 52										
1546+00.00	1546+50.00	44.4	37.8		0.0	37.8				10.2
1546+50.00	1547+00.00	39.8	33.8		0.0	33.8				20.4
1547+00.00	1547+50.00	32.9	28.0		0.0	28.0				20.2
1547+50.00	1548+00.00	26.9	22.9		0.0	22.9				20.3
1548+00.00	1548+50.00	23.2	19.7		0.0	19.7				20.7
1548+50.00	1549+00.00	20.6	17.5		0.0	17.5				20.8
1549+00.00	1549+50.00	16.7	14.2		0.8	13.4				20.6
1549+50.00	1550+00.00	13.0	11.0		3.8	7.2				20.4
1550+00.00	1550+50.00	10.2	8.7		6.1	2.6				20.3
1550+50.00	1551+00.00	5.3	4.5		3.1	1.4				20.6
1551+00.00	1551+50.00	2.0	1.7		0.0	1.7				20.9
1551+50.00	1552+00.00	2.2	1.9		0.0	1.9				20.6
1552+00.00	1552+50.00	2.7	2.3		0.0	2.3				20.7
1552+50.00	1553+00.00	2.3	2.0		0.0	2.0				19.2
1553+00.00	1553+50.00	3.4	2.9		0.0	2.9				18.8
1553+50.00	1554+00.00	5.3	4.5		0.0	4.5				20.4
1554+00.00	1554+50.00	9.4	8.0		0.0	8.0				20.5
1554+50.00	1555+00.00	18.9	16.1		0.0	16.1				20.7
1555+00.00	1555+50.00	31.6	26.8		0.0	26.8				20.8
1555+50.00	1556+00.00									
1556+00.00	1556+50.00									
1556+50.00	1557+00.00									
1557+00.00	1557+50.00									
1557+50.00	1558+00.00									
1558+00.00	1558+50.00									
1558+50.00	1559+00.00									
1559+00.00	1559+50.00									
1559+50.00	1560+00.00									
1560+00.00	1560+50.00									
1560+50.00	END									
SUBTOTAL		311.0	264.4		13.9	250.5				377.0

LOCATION STA. TO STA.	ROCK EXCAVATION (CU YD)	EARTH EXCAVATION (CU YD)	STRUCTURE EXCAVATION (CU YD)	SUTIABLE ROCK, EARTH, STRUCTURE EXCAVATION TO BE USED IN EMBANKMENT (15% SHRINKAGE) (CU YD)	EMBANKMENT REQUIRED (CU YD)	EARTHWORK BALANCE SEE NOTE 3 (CU YD)	GRANULAR EMBANKMENT, SPECIAL (CU YD)
IL 84							
703+10.00							
703+50.00							
704+00.00							
704+50.00							
705+00.00							
705+40.00							
705+50.00		8.6		7.3	0.0	7.3	
706+00.00		56.1		47.7	0.0	47.7	
706+50.00		52.3		44.5	0.0	44.5	
707+00.00		44.2		37.5	0.0	37.5	
707+50.00		42.3		36.0	0.0	36.0	
708+00.00		50.9		43.3	0.0	43.3	
708+50.00		51.7		43.9	0.0	43.9	
709+00.00		27.4		23.3	0.0	23.3	
709+50.00		6.2		5.3	3.9	1.4	
710+00.00		0.0		0.0	8.4	-8.4	
710+50.00		0.0		0.0	13.8	-13.8	
711+00.00		0.0		0.0	25.5	-25.5	
711+50.00		0.0		0.0	41.1	-41.1	
712+00.00		0.0		0.0	63.3	-63.3	
712+50.00		0.0		0.0	98.3	-98.3	
713+00.00		0.0		0.0	123.6	-123.6	
713+50.00		0.0		0.0	131.1	-131.1	
714+00.00		0.0		0.0	130.7	-130.7	
714+50.00		0.0		0.0	113.9	-113.9	
715+00.00		0.0		0.0	83.5	-83.5	
715+50.00		0.0		0.0	45.2	-45.2	
716+00.00		0.0		0.0	12.7	-12.7	
716+50.00		5.8		5.0	0.5	4.5	
717+00.00		8.5		7.2	0.0	7.2	
717+50.00							
718+00.00							
718+50.00							
719+00.00							
719+50.00							
720+00.00							
720+50.00							
721+00.00							
721+50.00							
722+00.00							
722+50.00							
723+00.00							
723+50.00							
724+00.00							
724+50.00							
725+00.00							
725+50.00							
726+00.00							
726+50.00							
727+00.00							
727+50.00							
728+00.00							
728+50.00							
728+90.00							
729+00.00							
729+50.00							
730+00.00							
730+50.00							
SUBTOTAL		354.0		300.9	895.6	-594.6	

FILE NAME = c:\p\work\king\illinois\35361\dm04105\20011SCH_203.dgn

USER NAME = 35361	DESIGNED - JB	REVISED -
	DRAWN - SQ	REVISED -
PLOT SCALE = 2.0000' / in.	CHECKED - JC	REVISED -
PLOT DATE = 3/20/2015	DATE - 03-12-2015	REVISED -

STATE OF ILLINOIS
DEPARTMENT OF TRANSPORTATION

SCHEDULE OF QUANTITIES 3

SCALE: N/A SHEET 3 OF 20 SHEETS STA. TO STA.

F.A.P. RTE.	SECTION	COUNTY	TOTAL SHEETS	SHEET NO.
17	104B-2	CARROLL/JACKSON	528	40
CONTRACT NO. 64G59				
FED. ROAD DIST. NO. ILLINOIS FED. AID PROJECT				

CROSS SECTION EARTHWORK

STAGE 2B

LOCATION STA. TO STA.	EARTH EXCAVATION (INCLUDES RIPRAP REMOVAL) (CU YD)	SUITABLE EARTH EXC. TO BE USED IN EMBANKMENT (15% SHRINKAGE) (CU YD)	REMOVAL & DISPOSAL OF UNSUITABLE MATERIAL (CU YD)	ROCK FILL (CU YD)	EMBANKMENT REQUIRED (CU YD)	EARTHWORK BALANCE SEE NOTE 3 (CU YD)	GRANULAR EMBANKMENT, SPECIAL (CU YD)	STONE RIPRAP, CLASS A1 (CU YD)	STONE RIPRAP, CLASS A5 (CU YD)	STONE RIPRAP, CLASS A5 (SQ YD)
US 52										
1546+00.00	1546+50.00	33.1	28.1		0.0	28.1				10.2
1546+50.00	1547+00.00	23.3	19.8		0.0	19.8				20.8
1547+00.00	1547+50.00	16.8	14.2		0.0	14.2				20.7
1547+50.00	1548+00.00	11.9	10.1		0.0	10.1				20.6
1548+00.00	1548+50.00	8.6	7.3		0.0	7.3				20.4
1548+50.00	1549+00.00	4.3	3.6		0.0	3.6				20.1
1549+00.00	1549+50.00	0.6	0.6		2.5	-1.9				20.4
1549+50.00	1550+00.00	0.0	0.0		3.0	-3.0				20.7
1550+00.00	1550+50.00	0.8	0.7		2.0	-1.4				20.8
1550+50.00	1551+00.00	5.1	4.4		1.5	2.9				20.6
1551+00.00	1551+50.00	15.2	12.9		0.0	12.9				20.3
1551+50.00	1552+00.00	26.2	22.3		0.0	22.3				20.2
1552+00.00	1552+50.00	34.5	29.3		0.0	29.3				20.3
1552+50.00	1553+00.00	38.1	32.3		0.0	32.3				20.6
1553+00.00	1553+50.00	39.8	33.8		0.0	33.8				20.7
1553+50.00	1554+00.00	38.4	32.7		0.0	32.7				20.6
1554+00.00	1554+50.00	35.5	30.1		0.0	30.1				20.4
1554+50.00	1555+00.00	39.8	33.8		0.0	33.8				20.8
1555+00.00	1555+50.00	40.7	34.6		0.0	34.6				20.8
1555+50.00	1556+00.00									
1556+00.00	1556+50.00									
1556+50.00	1557+00.00									
1557+00.00	1557+50.00									
1557+50.00	1558+00.00									
1558+00.00	1558+50.00									
1558+50.00	1559+00.00									
1559+00.00	1559+50.00									
1559+50.00	1560+00.00									
1560+00.00	1560+50.00									
1560+50.00	END									
SUBTOTAL		412.6	350.7		9.0	341.7				379.9

LOCATION STA. TO STA.	ROCK EXCAVATION (CU YD)	EARTH EXCAVATION (CU YD)	STRUCTURE EXCAVATION (CU YD)	SUITABLE ROCK, EARTH, STRUCTURE EXCAVATION TO BE USED IN EMBANKMENT (15% SHRINKAGE) (CU YD)	EMBANKMENT REQUIRED (CU YD)	EARTHWORK BALANCE SEE NOTE 3 (CU YD)	GRANULAR EMBANKMENT, SPECIAL (CU YD)
IL 84							
703+10.00	704+00.00	2.3		2.0	0.0	2.0	
703+50.00	704+50.00	1.9		1.6	0.6	1.0	
704+00.00	705+00.00	1.2		1.0	1.5	-0.5	
704+50.00	705+40.00	0.9		0.8	2.5	-1.7	
705+00.00	705+50.00	12.4		10.6	3.8	6.8	
705+40.00	705+50.00	5.9		5.0	1.2	3.9	
705+50.00	706+00.00	55.5		47.1	2.7	44.5	
706+00.00	706+50.00	56.6		48.1	8.6	39.5	
706+50.00	707+00.00	29.7		25.3	11.5	13.8	
707+00.00	707+50.00	30.2		25.7	5.5	20.2	
707+50.00	708+00.00	33.2		28.3	4.5	23.7	
708+00.00	708+50.00	30.8		26.2	5.5	20.7	
708+50.00	709+00.00	41.9		35.6	7.0	28.5	
709+00.00	709+50.00	0.0		0.0	3.5	-3.5	
709+50.00	710+00.00	0.0		0.0	1.4	-1.4	
710+00.00	710+50.00	17.3		14.7	13.1	1.6	
710+50.00	711+00.00	0.0		0.0	39.1	-39.1	
711+00.00	711+50.00	0.0		0.0	64.4	-64.4	
711+50.00	712+00.00	0.0		0.0	99.0	-99.0	
712+00.00	712+50.00	0.0		0.0	131.8	-131.8	
712+50.00	713+00.00	0.0		0.0	147.4	-147.4	
713+00.00	713+50.00	0.0		0.0	149.7	-149.7	
713+50.00	714+00.00	0.0		0.0	135.7	-135.7	
714+00.00	714+50.00	0.0		0.0	113.1	-113.1	
714+50.00	715+00.00	0.0		0.0	82.2	-82.2	
715+00.00	715+50.00	3.1		2.6	47.0	-44.4	
715+50.00	716+00.00	7.2		6.1	19.4	-13.2	
716+00.00	716+50.00	11.7		9.9	5.1	4.8	
716+50.00	717+00.00	7.5		6.4	0.0	6.4	
717+00.00	717+50.00	0.0		0.0	0.0	0.0	
717+50.00	718+00.00	0.0		0.0	0.0	0.0	
718+00.00	718+50.00	0.0		0.0	0.0	0.0	
718+50.00	719+00.00	0.0		0.0	0.0	0.0	
719+00.00	719+50.00	0.0		0.0	0.0	0.0	
719+50.00	720+00.00	0.0		0.0	0.0	0.0	
720+00.00	720+50.00	0.0		0.0	0.0	0.0	
720+50.00	721+00.00	0.0		0.0	0.0	0.0	
721+00.00	721+50.00	0.0		0.0	0.0	0.0	
721+50.00	722+00.00	0.0		0.0	0.0	0.0	
722+00.00	722+50.00	0.0		0.0	0.0	0.0	
722+50.00	723+00.00	0.0		0.0	0.0	0.0	
723+00.00	723+50.00	0.0		0.0	0.0	0.0	
723+50.00	724+00.00	0.0		0.0	0.0	0.0	
724+00.00	724+50.00	0.0		0.0	0.0	0.0	
724+50.00	725+00.00	0.0		0.0	0.0	0.0	
725+00.00	725+50.00	0.0		0.0	1.5	-1.5	
725+50.00	726+00.00	0.0		0.0	4.1	-4.1	
726+00.00	726+50.00	0.0		0.0	4.3	-4.3	
726+50.00	727+00.00	11.8		10.0	1.7	8.3	
727+00.00	727+50.00	0.0		0.0	0.0	0.0	
727+50.00	728+00.00	0.0		0.0	0.0	0.0	
728+00.00	728+50.00	0.0		0.0	0.0	0.0	
728+50.00	728+90.00	0.0		0.0	0.0	0.0	
728+90.00	729+00.00	0.0		0.0	0.0	0.0	
729+00.00	729+50.00	0.0		0.0	0.0	0.0	
729+50.00	730+00.00	0.0		0.0	0.0	0.0	
730+00.00	730+50.00	0.0		0.0	0.0	0.0	
730+50.00	731+00.00	0.0		0.0	0.0	0.0	
SUBTOTAL		361.0		306.9	1,118.1	-811.2	

FILE NAME = c:\p\work\king\illinois\35361\dm04105\20011SCH_204.dgn

USER NAME = 35361	DESIGNED - JB	REVISED -
	DRAWN - SQ	REVISED -
PLOT SCALE = 2.0000' / in.	CHECKED - JC	REVISED -
PLOT DATE = 3/20/2015	DATE - 03-12-2015	REVISED -

STATE OF ILLINOIS
DEPARTMENT OF TRANSPORTATION

SCHEDULE OF QUANTITIES 4

SCALE: N/A SHEET 4 OF 20 SHEETS STA. TO STA.

F.A.P. RTE.	SECTION	COUNTY	TOTAL SHEETS	SHEET NO.
17	104B-2	CARROLL/JACKSON	528	41
CONTRACT NO. 64G59				
FED. ROAD DIST. NO. ILLINOIS FED. AID PROJECT				

CROSS SECTION EARTHWORK

STAGE 3A

LOCATION STA. TO STA.	EARTH EXCAVATION (INCLUDES RIPRAP REMOVAL)	SUITABLE EARTH EXC. TO BE USED IN EMBANKMENT (15% SHRINKAGE)	REMOVAL & DISPOSAL OF UNSUITABLE MATERIAL	ROCK FILL	EMBANKMENT REQUIRED	EARTHWORK BALANCE SEE NOTE 3	GRANULAR EMBANKMENT, SPECIAL	STONE RIPRAP, CLASS A1	STONE RIPRAP, CLASS A5	STONE RIPRAP, CLASS A5
US 52	(CU YD)	(CU YD)	(CU YD)	(CU YD)	(CU YD)	(CU YD)	(CU YD)	(CU YD)	(CU YD)	(SQ YD)
1546+00.00	1546+50.00									
1546+50.00	1547+00.00									
1547+00.00	1547+50.00									
1547+50.00	1548+00.00									
1548+00.00	1548+50.00									
1548+50.00	1549+00.00									
1549+00.00	1549+50.00									
1549+50.00	1550+00.00									
1550+00.00	1550+50.00									
1550+50.00	1551+00.00									
1551+00.00	1551+50.00									
1551+50.00	1552+00.00									
1552+00.00	1552+50.00									
1552+50.00	1553+00.00									
1553+00.00	1553+50.00									
1553+50.00	1554+00.00									
1554+00.00	1554+50.00									
1554+50.00	1555+00.00									
1555+00.00	1555+50.00									
1555+50.00	1556+00.00									
1556+00.00	1556+50.00	24.1	20.5		0.0	20.5				20.4
1556+50.00	1557+00.00	14.8	12.6		0.0	12.6				20.4
1557+00.00	1557+50.00	11.6	9.9		0.0	9.9				20.1
1557+50.00	1558+00.00	12.9	11.0		0.0	11.0				19.9
1558+00.00	1558+50.00	22.0	18.7		0.0	18.7				20.1
1558+50.00	1559+00.00	25.1	21.4		0.0	21.4				20.4
1559+00.00	1559+50.00	9.6	8.1		3.3	4.8				20.3
1559+50.00	1560+00.00	0.0	0.0		3.3	-3.3				19.8
1560+00.00	1560+50.00	0.0	0.0		0.0	0.0				19.8
1560+50.00	END									
SUBTOTAL		120.2	102.2		6.7	95.5				181.1

LOCATION STA. TO STA.	ROCK EXCAVATION	EARTH EXCAVATION	STRUCTURE EXCAVATION	SUITABLE ROCK, EARTH, STRUCTURE EXCAVATION TO BE USED IN EMBANKMENT (15% SHRINKAGE)	EMBANKMENT REQUIRED	EARTHWORK BALANCE SEE NOTE 3	GRANULAR EMBANKMENT, SPECIAL
IL 84	(CU YD)	(CU YD)	(CU YD)	(CU YD)	(CU YD)	(CU YD)	(CU YD)
703+10.00	704+00.00						
703+50.00	704+50.00						
704+00.00	705+00.00						
704+50.00	705+40.00						
705+00.00	705+50.00						
705+40.00	705+50.00						
705+50.00	706+00.00						
706+00.00	706+50.00						
706+50.00	707+00.00						
707+00.00	707+50.00						
707+50.00	708+00.00						
708+00.00	708+50.00						
708+50.00	709+00.00						
709+00.00	709+50.00						
709+50.00	710+00.00						
710+00.00	710+50.00						
710+50.00	711+00.00						
711+00.00	711+50.00						
711+50.00	712+00.00						
712+00.00	712+50.00						
712+50.00	713+00.00						
713+00.00	713+50.00						
713+50.00	714+00.00						
714+00.00	714+50.00						
714+50.00	715+00.00						
715+00.00	715+50.00						
715+50.00	716+00.00						
716+00.00	716+50.00						
716+50.00	717+00.00						
717+00.00	717+50.00						
717+50.00	718+00.00	0.6		0.6	138.0	-137.4	
718+00.00	718+50.00	1.1		0.9	149.3	-148.3	
718+50.00	719+00.00	6.8		5.8	11.3	-5.5	
719+00.00	719+50.00	22.6		19.2	1.9	17.3	
719+50.00	720+00.00	50.8		43.2	4.8	38.4	
720+00.00	720+50.00	111.9		95.1	4.0	91.1	
720+50.00	721+00.00	136.8		116.2	2.5	113.7	
721+00.00	721+50.00	106.3		90.4	2.9	87.5	
721+50.00	722+00.00	100.7		85.6	3.6	82.0	
722+00.00	722+50.00	98.5		83.7	4.0	79.8	
722+50.00	723+00.00	71.3		60.6	3.5	57.1	
723+00.00	723+50.00	47.9		40.7	3.9	36.8	
723+50.00	724+00.00	37.2		31.6	5.0	26.6	
724+00.00	724+50.00	21.5		18.3	7.9	10.4	
724+50.00	725+00.00	5.5		4.6	18.7	-14.1	
725+00.00	725+50.00	0.0		0.0	29.3	-29.3	
725+50.00	726+00.00	0.0		0.0	34.1	-34.1	
726+00.00	726+50.00	0.0		0.0	38.0	-38.0	
726+50.00	727+00.00	6.2		5.3	21.5	-16.2	
727+00.00	727+50.00	0.0		0.0	2.4	-2.4	
727+50.00	728+00.00	0.0		0.0	0.5	-0.5	
728+00.00	728+50.00	0.0		0.0	0.0	0.0	
728+50.00	728+90.00	0.0		0.0	0.0	0.0	
728+90.00	729+00.00	0.0		0.0	0.0	0.0	
729+00.00	729+50.00						
729+50.00	730+00.00						
730+00.00	730+50.00						
730+50.00	731+00.00						
SUBTOTAL			825.7		701.8	486.9	215.0

FILE NAME = c:\p\work\king\illinois\35361\dm04105\2011\SCH_205.dgn

USER NAME = 35361	DESIGNED - JB	REVISED -
DRAWN - SQ	REVISIONS -	
PLOT SCALE = 2.0000' / in.	CHECKED - JC	REVISED -
PLOT DATE = 3/20/2015	DATE - 03-12-2015	REVISED -

STATE OF ILLINOIS
DEPARTMENT OF TRANSPORTATION

SCHEDULE OF QUANTITIES 5

SCALE: N/A SHEET 5 OF 20 SHEETS STA. TO STA.

F.A.P. RTE.	SECTION	COUNTY	TOTAL SHEETS	SHEET NO.
17	104B-2	CARROLL/JACKSON	528	42
CONTRACT NO. 64G59				
FED. ROAD DIST. NO. ILLINOIS FED. AID PROJECT				

CROSS SECTION EARTHWORK

STAGE 3B

LOCATION STA. TO STA.	EARTH EXCAVATION (INCLUDES RIPRAP REMOVAL) (CU YD)	SUITABLE EARTH EXC. TO BE USED IN EMBANKMENT (15% SHRINKAGE) (CU YD)	REMOVAL & DISPOSAL OF UNSUITABLE MATERIAL (CU YD)	ROCK FILL (CU YD)	EMBANKMENT REQUIRED (CU YD)	EARTHWORK BALANCE SEE NOTE 3 (CU YD)	GRANULAR EMBANKMENT, SPECIAL (CU YD)	STONE RIPRAP, CLASS A1 (CU YD)	STONE RIPRAP, CLASS A5 (CU YD)	STONE RIPRAP, CLASS A5 (SQ YD)
US 52										
1546+00.00 1546+50.00										
1546+50.00 1547+00.00										
1547+00.00 1547+50.00										
1547+50.00 1548+00.00										
1548+00.00 1548+50.00										
1548+50.00 1549+00.00										
1549+00.00 1549+50.00										
1549+50.00 1550+00.00										
1550+00.00 1550+50.00										
1550+50.00 1551+00.00										
1551+00.00 1551+50.00										
1551+50.00 1552+00.00										
1552+00.00 1552+50.00										
1552+50.00 1553+00.00										
1553+00.00 1553+50.00										
1553+50.00 1554+00.00										
1554+00.00 1554+50.00										
1554+50.00 1555+00.00										
1555+00.00 1555+50.00										
1555+50.00 1556+00.00										
1556+00.00 1556+50.00	60.5	51.4			0.0	51.4				20.8
1556+50.00 1557+00.00	72.8	61.9			0.0	61.9				20.8
1557+00.00 1557+50.00	90.6	77.0			0.0	77.0				20.5
1557+50.00 1558+00.00	96.5	82.0			0.0	82.0				20.2
1558+00.00 1558+50.00	83.8	71.2			0.0	71.2				20.1
1558+50.00 1559+00.00	65.0	55.2			0.0	55.2				19.9
1559+00.00 1559+50.00	27.6	23.5			18.8	4.7				20.4
1559+50.00 1560+00.00	0.0	0.0			72.6	-72.6				21.0
1560+00.00 1560+50.00	0.0	0.0			53.8	-53.8				21.0
1560+50.00 END										
SUBTOTAL	496.7	422.2			145.3	276.9				184.7

LOCATION STA. TO STA.	ROCK EXCAVATION (CU YD)	EARTH EXCAVATION (CU YD)	STRUCTURE EXCAVATION (CU YD)	SUITABLE ROCK, EARTH, STRUCTURE EXCAVATION TO BE USED IN EMBANKMENT (15% SHRINKAGE) (CU YD)	EMBANKMENT REQUIRED (CU YD)	EARTHWORK BALANCE SEE NOTE 3 (CU YD)	GRANULAR EMBANKMENT, SPECIAL (CU YD)
IL 84							
703+10.00 704+00.00							
703+50.00 704+50.00							
704+00.00 705+00.00							
704+50.00 705+40.00							
705+00.00 705+50.00							
705+40.00 705+50.00							
705+50.00 706+00.00							
706+00.00 706+50.00							
706+50.00 707+00.00							
707+00.00 707+50.00							
707+50.00 708+00.00							
708+00.00 708+50.00							
708+50.00 709+00.00							
709+00.00 709+50.00							
709+50.00 710+00.00		1,303.0		1,107.5	0.0	1,107.5	
710+00.00 710+50.00		2,241.5		1,905.3	0.0	1,905.3	
710+50.00 711+00.00		1,327.5		1,128.3	0.0	1,128.3	
711+00.00 711+50.00		841.7		715.4	0.0	715.4	
711+50.00 712+00.00		830.9		706.3	0.0	706.3	
712+00.00 712+50.00		973.0		827.0	26.0	801.0	
712+50.00 713+00.00		594.8		505.6	26.0	479.6	
713+00.00 713+50.00		0.0		0.0	0.0	0.0	
713+50.00 714+00.00		0.0		0.0	0.0	0.0	
714+00.00 714+50.00		0.0		0.0	0.0	0.0	
714+50.00 715+00.00		0.0		0.0	0.0	0.0	
715+00.00 715+50.00		0.0		0.0	0.0	0.0	
715+50.00 716+00.00		0.0		0.0	0.0	0.0	
716+00.00 716+50.00		0.0		0.0	0.0	0.0	
716+50.00 717+00.00		17.4		14.8	143.1	-128.3	
717+00.00 717+50.00		27.0		23.0	288.1	-265.1	
717+50.00 718+00.00		9.6		8.2	280.4	-272.2	
718+00.00 718+50.00		0.0		0.0	145.1	-145.1	
718+50.00 719+00.00		0.0		0.0	9.7	-9.7	
719+00.00 719+50.00							
719+50.00 720+00.00							
720+00.00 720+50.00							
720+50.00 721+00.00							
721+00.00 721+50.00							
721+50.00 722+00.00							
722+00.00 722+50.00							
722+50.00 723+00.00							
723+00.00 723+50.00							
723+50.00 724+00.00							
724+00.00 724+50.00							
724+50.00 725+00.00							
725+00.00 725+50.00							
725+50.00 726+00.00							
726+00.00 726+50.00							
726+50.00 727+00.00							
727+00.00 727+50.00							
727+50.00 728+00.00							
728+00.00 728+50.00							
728+50.00 728+90.00							
728+90.00 729+00.00							
729+00.00 729+50.00							
729+50.00 730+00.00							
730+00.00 730+50.00							
730+50.00 731+00.00							
SUBTOTAL		8,166.4		6,941.4	918.3	6,023.1	

FILE NAME = c:\p\work\king\illinois\35361\dm04105\2011\SCH_205.dgn

USER NAME = 35361	DESIGNED - JB	REVISED -
	DRAWN - SQ	REVISED -
PLOT SCALE = 2.0000' / in.	CHECKED - JC	REVISED -
PLOT DATE = 3/20/2015	DATE - 03-12-2015	REVISED -

STATE OF ILLINOIS
DEPARTMENT OF TRANSPORTATION

SCHEDULE OF QUANTITIES 6

SCALE: N/A SHEET 6 OF 20 SHEETS STA. TO STA.

F.A.P. RTE.	SECTION	COUNTY	TOTAL SHEETS	SHEET NO.
17	104B-2	CARROLL/JACKSON	528	43
CONTRACT NO. 64G59				
FED. ROAD DIST. NO. ILLINOIS FED. AID PROJECT				

CROSS SECTION EARTHWORK

US 52 TOTALS

IL 84, RANDOLPH, CALHOUN TOTALS

LOCATION AND STAGE	EARTH EXCAVATION (INCLUDES RIPRAP REMOVAL) (CU YD)	SUITABLE EARTH EXC. TO BE USED IN ROCK FILL OR EMBANKMENT (15% SHRINKAGE) (CU YD)	REMOVAL & DISPOSAL OF UNSUITABLE MATERIAL (CU YD)	ROCK FILL (CU YD)	EMBANKMENT REQUIRED (CU YD)	EARTHWORK BALANCE (CU YD)	GRANULAR EMBANKMENT, SPECIAL (CU YD)	STONE RIPRAP, CLASS A1 (CU YD)	STONE RIPRAP, CLASS A5 (CU YD)	STONE RIPRAP, CLASS A5 (SQ YD)
US 52 PRESTAGE	3,565.8	3,030.9	6,137.9	3,106.9	5,373.5	-5,373.5	437.7	651.4	5,962.9	3015.8
STAGE 1	2,716.7	2,309.2	6,486.1	4,176.9	8,606.7	-8,606.7	481.3	722.0	4,952.6	3464.4
STAGE 2A	311.0	264.4			13.9	250.5				377.0
STAGE 2B	412.6	350.7			9.0	341.7				379.9
STAGE 3A	120.2	102.2			6.7	95.5				181.1
STAGE 3B	496.7	422.2			145.3	276.9				184.7
TOTALS	7,622.9	6,479.5	12,624.0	7,283.9	14,155.0	-13,015.6	919.0	1,373.4	10,915.5	7,602.9

LOCATION AND STAGE	ROCK EXCAVATION (CU YD)	EARTH EXCAVATION (CU YD)	STRUCTURE EXCAVATION & ROCK EXCAVATION FOR STRUCTURES (CU YD)	SUITABLE ROCK, EARTH, STRUCTURE EXCAVATION TO BE USED IN EMBANKMENT (15% SHRINKAGE) (CU YD)	EMBANKMENT REQUIRED (CU YD)	EARTHWORK BALANCE (CU YD)	GRANULAR EMBANKMENT, SPECIAL (CU YD)
IL 84 PRESTAGE		836.4		711.0	2,324.5	-1,613.5	
STAGE 1	541.1	14,010.9	3,205.0	15,093.4	357.2	14,678.7	175.6
STAGE 2A		354.0		300.9	895.6	-594.6	
STAGE 2B		361.0		306.9	1,118.1	-811.2	
STAGE 3A		825.7		701.8	486.9	215.0	
STAGE 3B		8,166.4		6,941.4	918.3	6,023.1	
TOTAL	541.1	24,554.5	3,205.0	24,055.5	6,100.5	17,897.5	175.6
RANDOLPH ST PRESTAGE		229.2		194.8	9.5	185.4	
TOTAL	0.0	229.2	0.0	194.8	9.5	185.4	0.0
CALHOUN ST PRESTAGE		630.8		536.1	106.3	429.8	
TOTAL	0.0	630.8	0.0	536.1	106.3	429.8	0.0

EARTHWORK TOTALS BY PAY ITEM

CODE NO.	ITEM NAME	US 52	IL 84	RANDOLPH	CALHOUN	TOTAL	UNIT	TOTAL	UNIT	CONVERSION
20200100	EARTH EXCAVATION	7,622.9	24,554.5	229.2	630.8	33,037	CU YD			
20200200	ROCK EXCAVATION		541.1			541	CU YD			
20201200	REMOVAL AND DISPOSAL OF UNSUITABLE MATERIAL •	12,624.0	358.1			12,982	CU YD			
20400800	FURNISHED EXCAVATION ••	-5,373.5	-1,613.5	185.4	429.8	-6,372	CU YD			
20600110	GRANULAR EMBANKMENT, SPECIAL	919.0	175.6			1,095	CU YD	1,806.0	TONS	1.65 TONS/CU YD
20800150	TRENCH BACKFILL		1,365			1,365	CU YD			
28100109	STONE RIPRAP, CLASS A5	7,602.9				7,603	SQ YD			
28100201	STONE RIPRAP, CLASS A1	1,373.4				1,373	CU YD	2,403.4	TONS	1.75 TONS/CU YD
28100209	STONE RIPRAP, CLASS A5	10,915.5				10,916	CU YD	18,010.6	TONS	1.65 TONS/CU YD
	STRUCTURE EXCAVATION, ROCK EXCAVATION FOR STRUCTURES		3,205.0			3,205	CU YD			
Z0054400	ROCK FILL	7,283.9				7,284	CU YD			
	• POTENTIAL UNDERCUTS FOR IL 84 •• REQUIRED FOR SHORTAGE IN PRESTAGE. REMAINDER OF EMBANKMENT REQUIRED CAN BE OBTAINED WITHIN THE WORKSITE DURING STAGE 1 AND LATER STAGES.									

FILE NAME = p:\top\02\purch\Illinois State Documents\US52IL84 - 647512\Design\CADD\Roadway\Sheet\Bridge\F2_Z0011SCH_207.dgn

USER NAME = p005313a	DESIGNED - JB	REVISED -
DRAWN - SQ	REVISIONS -	
PLOT SCALE = 2.0000' / in.	CHECKED - JC	REVISED -
PLOT DATE = 3/23/2015	DATE - 03-12-2015	REVISED -

STATE OF ILLINOIS
DEPARTMENT OF TRANSPORTATION

SCHEDULE OF QUANTITIES 7

SCALE: N/A SHEET 7 OF 20 SHEETS STA. TO STA.

F.A.P. RTE.	SECTION	COUNTY	TOTAL SHEETS	SHEET NO.
17	104B-2	CARROLL/JACKSON	528	44
CONTRACT NO. 64G59				
FED. ROAD DIST. NO. ILLINOIS FED. AID PROJECT				

20100110 TREE REMOVAL (6 TO 15 UNITS DIAMETER)				TOTAL	474	UNIT
ALIGNMENT	STA.	OFF.	SIZE (IN)	SUBTOTALS		
US 52	1546+00	RT	6	6		
US 52	1546+54	RT	10	10		
US 52	1547+78	RT	15	15		
US 52	1547+90	RT	8	8		
US 52	1547+94	RT	13	13		
US 52	1548+53	RT	15	15		
US 52	1550+16	RT	15	15		
US 52	1550+49	RT	8	8		
US 52	1551+21	RT	12	12		
US 52	1553+32	RT	10	10		
US 52	1553+59	RT	15	15		
US 52	1553+94	RT	10	10		
US 52	1555+61	RT	6	6		
US 52	1555+99	LT	10	10		
US 52	1556+83	RT	12	12		
US 52	1556+89	RT	10	10		
US 52	1557+00	RT	15	15		
US 52	1557+11	LT	6	6		
US 52	1557+89	RT	8	8		
US 52	1558+15	RT	10	10		
US 52	1558+24	RT	6	6		
US 52	1558+26	RT	8	8		
US 52	1558+30	RT	13	13		
US 52	1558+39	RT	7	7		
US 52	1559+23	RT	7	7		
US 52	1559+44	RT	6	6		
US 52	1559+60	RT	15	15		
US 52	1559+98	RT	6	6		
US 52	1560+26	RT	13	13		
US 52	1560+85	RT	15	15		
IL 84	713+20	LT	15	15		
IL 84	713+38	LT	12	12		
IL 84	714+26	LT	15	15		
IL 84	714+37	LT	15	15		
IL 84	714+38	LT	6	6		
IL 84	721+90	RT	15	15		
IL 84	721+90	RT	10	10		
IL 84	721+90	RT	12	12		
IL 84	721+90	RT	12	12		
IL 84	722+45	RT	10	10		
IL 84	722+50	RT	12	12		
IL 84	722+60	RT	12	12		
IL 84	722+66	RT	6	6		
IL 84	722+70	RT	12	12		

20100210 TREE REMOVAL (OVER 15 UNITS DIAMETER)				TOTAL	271	UNIT
ALIGNMENT	STATION	OFFSET	SIZE (IN)	SUBTOTALS		
IL 84	705+25	LT	32	32		
IL 84	706+17	RT	32	32		
IL 84	706+33	LT	30	26		
IL 84	706+63	LT	20	20		
IL 84	706+92	LT	30	26		
IL 84	709+11	LT	16	16		
IL 84	709+11	LT	16	16		
IL 84	709+11	LT	16	16		
IL 84	710+14	RT	23	23		
IL 84	710+63	RT	24	24		
IL 84	710+63	RT	24	24		
IL 84	721+80	RT	16	16		

20100500 TREE REMOVAL, ACRES					TOTAL	3.25	ACRE
ALIGNMENT	STA.	TO STA.	OFF.	AREA ACRE	SUBTOTALS		
US 52	1558+27	1560+46	RT	0.17	0.17		
US 52	1564+59	1569+05	LT	0.87	0.87		
US 52	1565+22	1569+30	RT	1.43	1.43		
US 52	1584+56	1585+93	RT	0.37	0.37		
US 52	1584+60	1585+18	LT	0.11	0.11		
IL 84	711+25	712+86	RT	0.03	0.03		
IL 84	716+00	718+50	RT	0.06	0.06		
IL 84	718+50	718+56	LT	0.01	0.01		
IL 84	718+50	720+22	RT	0.05	0.05		
IL 84	720+28	723+28	RT	0.1	0.10		

20101100 TREE TRUNK PROTECTION			TOTAL	10	EACH
LOCATION	STATION	OFFSET	SUBTOTALS		
IL 84	710+14	40' RT	1		
ADDITIONAL LOCATIONS TO BE DETERMINED BY THE ENGINEER			9		

20101350 TREE PRUNING (OVER 10 INCH DIAMETER)			TOTAL	10	EACH
LOCATIONS TO BE DETERMINED BY THE ENGINEER					

21101615 TOPSOIL FURNISH AND PLACE, 4"			TOTAL	23,025	SO YD
LOCATION	AREA SQ YD	SUBTOTALS			
SEEDING, CLASS 1	8,470	8,470			
SEEDING, CLASS 4A	12,100	12,100			
SODDING, SALT TOLERANT	2,457	2,457			

21301052 EXPLORATION TRENCH 52" DEPTH			TOTAL	500	FOOT
LOCATIONS TO BE DETERMINED BY THE ENGINEER					

21400100 GRADING AND SHAPING DITCHES			TOTAL	95	FOOT
ALIGNMENT	STA	OFFSET	SUBTOTALS		
RANDOLPH	197+59.50	RT	70		
RANDOLPH	197+62.00	RT	25		

25000100 SEEDING, CLASS 1						TOTAL	1.75	ACRE
ALIGNMENT	STA.	OFF.	STA.	OFF.	AREA (SF)	SUBTOTALS		
IL 84	709+52.00	RT	715+50.00	RT	5,239	0.12		
IL 84	709+20.45	LT	713+00.00	LT	59,067	1.36		
IL 84	714+50.00	RT	718+50.00	RT	2,489	0.06		
IL 84	718+50.00	RT	730+60.00	RT	12,389	0.28		

25000312 SEEDING, CLASS 4A						TOTAL	2.5	ACRE
ALIGNMENT	STA.	OFF.	STA.	OFF.	AREA (SF)	SUBTOTALS		
IL 84	711+29.92	RT	714+50.00	RT	15,603	0.36		
IL 84	713+00.00	LT	714+50.00	LT	12,590	0.29		
IL 84	714+50.00	RT	718+50.00	RT	13,187	0.30		
IL 84	714+50.00	LT	718+50.00	LT	24,941	0.57		
IL 84	718+50.00	RT	725+07.27	RT	15,532	0.36		
IL 84	718+50.00	LT	728+90.00	LT	20,769	0.48		
5% SLOPE CORRECTION FACTOR						0.25		

25000400 NITROGEN FERTILIZER NUTRIENT		TOTAL	413	POUND
25000500 PHOSPHORUS FERTILIZER NUTRIENT		TOTAL	413	POUND
25000600 POTASSIUM FERTILIZER NUTRIENT		TOTAL	413	POUND
		AREA (ACRE)	RATE	SUBTOTALS
			LB / ACRE	
SEEDING, CLASS 1		1.75	90	158
SEEDING, CLASS 7 (SPECIAL)		2.50	90	225
SODDING, SALT TOLERANT		0.51	60	30

25000750 MOWING			TOTAL	7.50	ARCE
ASSUME 3 MOWINGS REQUIRED PER SEASON 2 FULL SEASONS (6 MOWINGS TOTAL)					
SEEDING, CLASS 1 (EXCEPT DETENTION POND)			1.25	7.50	
SEEDING, CLASS 4A (MOWING NOT REQUIRED)			N/A		
SODDING, SALT TOLERANT (MOWING NOT REQUIRED)					
SEEDING, CLASS 7 (SPECIAL) - MOWING			N/A		
NOT REQUIRED ON ISLAND					

FILE NAME = c:\p\work\king\illinois\35361\dm\04105\20011SCH.208.dgn

USER NAME = 35361	DESIGNED - JB	REVISED -
	DRAWN - SO	REVISED -
PLOT SCALE = 2.0000' / in.	CHECKED - JC	REVISED -
PLOT DATE = 3/20/2015	DATE - 03-12-2015	REVISED -

**STATE OF ILLINOIS
DEPARTMENT OF TRANSPORTATION**

SCHEDULE OF QUANTITIES 8

SCALE: N/A SHEET 8 OF 20 SHEETS STA. TO STA.

F.A.P. RTE.	SECTION	COUNTY	TOTAL SHEETS	SHEET NO.
17	104B-2	CARROLL/JACKSON	528	45
CONTRACT NO. 64G59				
FED. ROAD DIST. NO. ILLINOIS FED. AID PROJECT				

Table 25100125: MULCH, METHOD 3. Columns: LOCATION, STA., OFF., STA., OFF., AREA (SF), SUBTOTALS. Includes subtotals for area and 5% slope correction factor.

Table 25100630: EROSION CONTROL BLANKET. Columns: ALIGNMENT, STA., OFF., STA., OFF., AREA (SF), SUBTOTALS. Includes 5% slope correction factor.

Table 25100900: TURF REINFORCEMENT MAT. Columns: ALIGNMENT, STA., OFF., STA., OFF., AREA (SF), SUBTOTALS. Includes 5% slope correction factor.

Table 25200110: SODDING, SALT TOLERANT. Columns: ALIGNMENT, STA., OFF., STA., OFF., AREA (SF), SUBTOTALS. Includes 5% slope correction factor.

Table 25200200: SUPPLEMENTAL WATERING. Columns: LOCATION, STA., OFF., STA., OFF., AREA (SQ YD), SUBTOTALS. Includes sodding details and 5% slope correction factor.

Table 28000250: TEMPORARY EROSION CONTROL SEEDING. Columns: LOCATION, STA., OFF., STA., OFF., AREA (SQ FT), APPL, LB/ACRE, SUBTOTALS. Includes seeding details and 5% slope correction factor.

Table 28000305: TEMPORARY DITCH CHECKS. Columns: LOCATION, STATION, OFFSET, SUBTOTALS. Includes ditch check locations.

Table 28000400: PERIMETER EROSION BARRIER. Columns: ALIGNMENT, STATION, OFFSET, STATION, OFFSET, SUBTOTALS. Includes barrier locations.

Table 28100109: STONE RIPRAP, CLASS A5. Columns: LOCATION, STA, OFF, SUBTOTALS. Includes riprap locations.

Table 28200200: FILTER FABRIC. Columns: LOCATION, STA, OFF, STA, OFF, AREA (SQ YD), SUBTOTALS. Includes filter fabric locations.

Table 28000500: INLET AND PIPE PROTECTION. Columns: STR. NO., ALIGNMENT, STA., OFF., RT/LT, SUBTOTALS. Includes inlet and pipe protection details.

Table 28500400: ARTICULATED BLOCK REVETMENT MAT. Columns: ALIGNMENT, STA, STA, AREA (SQ FT), SUBTOTALS. Includes revetment mat details.

FILE NAME = c:\p\working\illinois\35361\dom04105\20011SCH.209.dgn

Metadata table with columns: USER NAME, DESIGNED, DRAWN, PLOT SCALE, PLOT DATE, and their corresponding values.

Metadata table with columns: REVISIONS (REVISED, REVISION), and their corresponding values.

STATE OF ILLINOIS DEPARTMENT OF TRANSPORTATION

SCHEDULE OF QUANTITIES 9

SCALE: N/A SHEET 9 OF 20 SHEETS STA. TO STA.

Table with columns: F.A.P. RTE., SECTION, COUNTY, TOTAL SHEETS, SHEET NO., CONTRACT NO., and project details.

30300112	AGGREGATE SUBGRADE IMPROVEMENT 12"				TOTAL	23,371	SO YD
ALIGNMENT	STATION	STATION	AREA (SQ FT)	SUBTOTALS			
US 52 CAUSEWAY	1546+00.00	1558+00.00	67,704	7,523			
US 52 CAUSEWAY	1558+00.00	1560+32.25	19,782	2,198			
US 52/IL 64/IL 84	705+40.00	709+00.00	15,714	1,746			
US 52/IL 64/IL 84	709+00.00	715+00.00	30,941	3,438			
IL 84	715+00.00	718+50.00	24,167	2,685			
IL 84	718+50.00	727+00.00	38,877	4,320			
IL 84	728+90.00	730+60.00	766	85			
CALHOUN ST	94+78.16	99+50.00	7,529	837			
RANDOLPH ST	197+45.25	199+45.00	4,853	539			

30300124	AGGREGATE SUBGRADE IMPROVEMENT 24"				TOTAL	1,244	SO YD
USED FOR SUBGRADE UNDER CUT STA				SUBTOTALS			
709+00	710+00	3,514	390				
727+00	728+90	7,684	854				

31101900	SUBBASE GRANULAR MATERIAL, TYPE C						TOTAL	367	TON
STATION	OFFSET LT/RT (FT)	STATION	OFFSET LT/RT (FT)	AREA (SQ FT)	VOLUME (CU YD)	SUBTOTALS			
THICKNESS:	1.75 INCH	CONVERSION:	1.80	TON/CUYD					
709+52.99	50.50 RT	715+00.00	28.08 RT	4,587	24.8	44.6			
709+77.91	22.63 LT	715+00.00	33.95 LT	4,537	24.5	44.1			
715+00.00	28.08 RT	718+50.00	28.28 RT	3,546	19.2	34.6			
715+00.00	33.95 LT	715+80.30	56.11 LT	904	4.9	8.8			
716+65.78	46.15 LT	718+50.00	34.63 LT	3,217	17.4	31.3			
718+50.00	28.28 RT	731+05.12	12.93 RT	11,457	61.9	111.4			
718+50.00	34.63 LT	728+90.00	20.00 LT	9,490	51.3	92.3			

35102000	AGGREGATE BASE COURSE, TYPE B 8"				TOTAL	166	SO YD
STATION	OFFSET	LT/RT	AREA (SQ FT)	SUBTOTALS			
725+89.17	18.58	RT	52	6			
726+90.60	18.66	RT	1025	114			
727+50.00	18.65	RT	419	47			

40600275	BITUMINOUS MATERIALS (PRIME COAT)										TOTAL	106,523	POUND
PAY ITEM	DESCRIPTION	STATION	STATION	AREA SQ FT	AREA SQ YD	GRAVEL WEIGHT TONS	PAVEMENT WEIGHT TONS	TOTAL WEIGHT TONS	SUBTOTALS				
APPLIED TO:	APPLICATION RATE (ON GRAVEL)	0.001430		TON/ SQ YD									
	RATE (ON PAVEMENT ASSUMES 2 APPLICATIONS)	0.000572		TON/SQ YD									
40701871	US 52 (ML)	1546+00.00	1558+00.00	29,029	3,225	4.61	3.69	8.30	17,435				
X4823029	SHOULDER (RT)	1546+00.00	1558+00.00	9,178	1,020	1.46	1.17	2.62	5,512				
X4823029	SHOULDER (LT)	1546+00.00	1558+00.00	9,043	1,005	1.44	1.15	2.59	5,431				
40701871	US 52 (ML)*	1558+00.00	1560+32.25	11,923	1,325	1.89	1.52	3.41	7,161				
X4823029	SHOULDER (RT)	1558+00.00	1560+32.25	1,833	204	0.29	0.23	0.52	1,101				
X4823029	SHOULDER (LT)	1558+00.00	1560+32.25	742	82	0.12	0.09	0.21	446				
40701876	US 52/IL 64/IL 84 (ML)	705+40.00	709+00.00	12,714	1,413	2.02	1.62	3.64	7,636				
40603310	RANDOLPH ST	199+25.00	199+53.47	740	82	0.12		0.12	247				
40701876	US 52/IL 64/IL 84 (ML)	709+00.00	715+00.00	24,275	2,697	3.86	3.09	6.94	14,580				
48203021	SHOULDER (RT)	709+65.85	715+00.00	3,282	365	0.52	0.42	0.94	1,971				
48203021	SHOULDER (LT)	709+77.92	715+00.00	4,471	497	0.71	0.57	1.28	2,685				
40701876	IL 84 (ML)*	715+00.00	718+50.00	16,140	1,793	2.56	2.05	4.62	9,694				
48203021	SHOULDER (RT)	715+00.00	718+50.00	2,763	307	0.44	0.35	0.79	1,659				
48203021	SHOULDER (LT)	715+00.00	718+50.00	3,211	357	0.51	0.41	0.92	1,929				
40701876	IL 84 (ML)	718+50.00	728+90.00	26,456	2,940	4.20	3.36	7.57	15,890				
48203021	SHOULDER (RT)	718+50.00	730+60.00	7,454	828	1.18	0.95	2.13	4,477				
48203021	SHOULDER (LT)	718+50.00	728+90.00	9,371	1,041	1.49	1.19	2.68	5,628				
40701876	CALHOUN ST	98+90.00	99+45.00	1,430	159	0.23	0.18	0.41	859				
40603310	RANDOLPH ST	197+45.25	199+25.00	4,674	519	0.74		0.74	1,560				
40603310	RANDOLPH ST	197+45.25	199+25.00	4,674	519		0.30	0.30	624				
ML = MAINLINE PAVEMENT													
* INCLUDES BRIDGE APPROACH PAVEMENT CONNECTOR (FLEXIBLE)													

40200800	AGGREGATE SURFACE COURSE, TYPE B								TOTAL	374	TON
ALIGNMENT	STA	STA	AREA (SQ FT)	THICKNESS (INCHES)	VOL CU FT	VOL CU YD	TON/ CU YD	SUBTOTALS			
CALHOUN	94+78.16	98+90.00	5,187	8	3,458	128	1.80	231			
CAHOUN	94+78.16	R.R. SIGNAL	4,300	6	2,150	80	1.80	143			

40201000	AGGREGATE FOR TEMPORARY ACCESS							TOTAL	241	TON
ALIGNMENT	STA	OFF	AREA (SQ FT)	THICKNESS (INCHES)	TON/ CU YD	SUBTOTALS				
IL 84	704+52.45	LT	56	6	1.80	1.9				
IL 84	705+58.52	RT	417	6	1.80	13.9				
IL 84	706+66.71	RT	417	6	1.80	13.9				
IL 84	706+77.11	LT	366	6	1.80	12.2				
IL 84	707+34.63	RT	417	6	1.80	13.9				
IL 84	707+67.80	RT	417	6	1.80	13.9				
IL 84	708+24.01	LT	366	6	1.80	12.2				
IL 84	708+89.77	RT	710	6	1.80	23.7				
IL 84	725+89.17	RT	58	6	1.80	1.9				
IL 84	726+90.60	RT	1025	6	1.80	34.2				
IL 84	727+50.00	RT	419	6	1.80	14.0				
RANDOLPH	198+01.56	LT	52	6	1.80	1.7				
RANDOLPH	198+32.32	RT	165	6	1.80	5.5				
RANDOLPH	198+70.46	LT	81	6	1.80	2.7				
RANDOLPH	199+00.00	RT	1724	6	1.80	57.5				
CALHOUN	99+29.32	RT	552	6	1.80	18.4				

40603310	HOT-MIX ASPHALT SURFACE COURSE, MIX "C", N50						TOTAL	367	TON
STA	OFF	LT/RT	STA	OFF	LT/RT	SUBTOTALS			
709+77.92	21.63	LT	715+00.00	32.94	LT	54.3			
709+65.85	20.22	RT	715+00.00	25.00	RT	39.8			
715+00.00	32.94	LT	715+48.17	43.05	LT	6.4			
716+94.39	36.00	LT	718+50.00	33.63	LT	32.6			
715+00.00	25.00	RT	718+50.00	25.20	RT	33.5			
718+50.00	33.63	LT	728+90.00	18.13	LT	110.0			
715+00.00	25.20	RT	730+60.00	13.88	RT	90.5			

40701871	HOT-MIX ASPHALT PAVEMENT (FULL-DEPTH), 9 1/2"				TOTAL	4,275	SO YD
STA	STA	AREA (SQ FT)	SUBTOTALS				
1546+00.00	1558+00.00	29,029	3,225				
1558+00.00	1560+32.25	9,445	1,049				

40701876	HOT-MIX ASPHALT PAVEMENT (FULL-DEPTH), 9 3/4"				TOTAL	8,461	SO YD
STA	STA	AREA (SQ FT)	SUBTOTALS				
705+40.00	709+00.00	12,714	1,413				
709+00.00	715+00.00	24,275	2,697				
715+00.00	715+81.71	4,093	455				
716+60.88	718+50.00	7,182	798				
718+50.00	728+90.00	26,456	2,940				
98+90.00	99+45.00	1,430	159				

FILE NAME = c:\p\work\king\illinois\35361\dm04105\20011SCH.210.dgn

USER NAME = 35361	DESIGNED - JB	REVISED -
	DRAWN - SO	REVISED -
PLOT SCALE = 2.0000' / in.	CHECKED - JC	REVISED -
PLOT DATE = 3/20/2015	DATE - 03-12-2015	REVISED -

STATE OF ILLINOIS
DEPARTMENT OF TRANSPORTATION

SCHEDULE OF QUANTITIES 10

SCALE: N/A SHEET 10 OF 20 SHEETS STA. TO STA.

F.A.P. RTE.	SECTION	COUNTY	TOTAL SHEETS	SHEET NO.
17	104B-2	CARROLL/JACKSON	528	47
CONTRACT NO. 64G59			FED. ROAD DIST. NO. ILLINOIS FED. AID PROJECT	

55100500 STORM SEWER REMOVAL 12"					TOTAL	28	FOOT
ALIGNMENT	STA FROM	OFFSET FROM	STA TO	OFFSET TO	SUBTOTALS		
IL 84	709+23	RT	709+34	RT	11		
IL 84	709+34	RT	709+51	RT	17		

56200200 WATER SERVICE LINE 3/4"					TOTAL	122	FOOT
ALIGNMENT	STA	OFFSET	STA	OFFSET	SUBTOTALS		
IL 84	710+14.40	LT	710+14.77	RT	61		
IL 84	710+79.76	LT	710+79.30	RT	61		

60107600 PIPE UNDERDRAINS 4"					TOTAL	2,198	FOOT
ALIGNMENT	STA	OFFSET	STA	OFFSET	SUBTOTALS		
IL 84	705+40.00	RT	706+30.34	RT	90		
IL 84	706+30.34	RT	706+41.24	RT	11		
IL 84	706+41.27	RT	706+92.38	RT	51		
IL 84	706+92.38	RT	707+95.13	RT	103		
IL 84	707+95.13	RT	708+61.41	RT	66		
IL 84	708+64.91	RT	709+21.23	RT	69		
IL 84	709+52.49	RT	709+58.12	RT	24		
IL 84	709+63.57	RT	709+91.46	RT	28		
IL 84	709+98.43	RT	711+33.82	RT	136		
IL 84	711+40.78	RT	713+12.48	RT	173		
IL 84	713+19.45	RT	714+98.90	RT	180		
IL 84	715+05.86	RT	717+91.97	RT	288		
IL 84	717+98.93	RT	719+46.39	RT	148		
IL 84	719+53.36	RT	721+12.45	RT	160		
IL 84	721+19.42	RT	722+97.27	RT	178		
IL 84	723+04.27	RT	724+99.52	RT	192		
IL 84	724+99.35	RT	726+37.17	RT	138		
IL 84	726+37.17	RT	726+53.73	RT	17		
IL 84	726+53.73	RT	727+18.93	RT	65		
IL 84	727+18.93	RT	727+82.04	RT	63		
IL 84	727+82.03	RT	728+00.00	RT	18		

55100900 STORM SEWER REMOVAL 18"					TOTAL	75	FOOT
ALIGNMENT	STA FROM	OFFSET FROM	STA TO	OFFSET TO	SUBTOTALS		
IL 84	709+21.82	RT	709+52.33	RT	31		
RANDOLPH	197+62.47	LT	197+61.69	RT	44		

56400500 FIRE HYDRANTS TO BE REMOVED			TOTAL	1	EACH
ALIGNMENT	STA	OFFSET	SUBTOTALS		
IL 84	709+09.52	LT	1		

55101900 STORM SEWER REMOVAL 48"					TOTAL	236	FOOT
ALIGNMENT	STA FROM	OFFSET FROM	STA TO	OFFSET TO	SUBTOTALS		
CALHOUN	98+00.69	RT	100+15.50	LT	236		

56400600 FIRE HYDRANTS			TOTAL	1	EACH
ALIGNMENT	STA	OFFSET	SUBTOTALS		
IL 84	709+01.08	LT	1		

60108100 PIPE UNDERDRAINS 4" (SPECIAL)					TOTAL	174	FOOT
ALIGNMENT	STA	OFFSET	SUBTOTALS				
IL 84	706+30.34	RT	6				
IL 84	706+41.27	RT	6				
IL 84	706+92.38	RT	6				
IL 84	707+95.13	RT	6				
IL 84	708+61.41	RT	6				
IL 84	709+61.52	RT	6				
IL 84	709+94.92	RT	12				
IL 84	711+37.27	RT	12				
IL 84	713+15.97	RT	12				
IL 84	715+02.36	RT	12				
IL 84	717+95.47	RT	12				
IL 84	719+49.90	RT	12				
IL 84	721+15.93	RT	12				
IL 84	723+00.77	RT	12				
IL 84	724+99.56	RT	12				
IL 84	726+37.17	RT	6				
IL 84	726+53.73	RT	6				
IL 84	727+18.93	RT	6				
IL 84	727+82.03	RT	6				
IL 84	728+00.00	RT	6				

56100600 WATER MAIN 6"					TOTAL	50	FOOT
ALIGNMENT	STA	OFFSET	STA	OFFSET	SUBTOTALS		
IL 84	706+24.60	LT	706+49.60	LT	25		
IL 84	707+82.60	LT	708+07.60	LT	25		

60100080 FRENCH DRAINS			TOTAL	6	CU YD
ALIGNMENT	STA.	OFF	SUBTOTALS		
IL 84	711+50	LT	0.56		
IL 84	714+00	LT	0.56		
IL 84	719+00	LT	1.00		
IL 84	721+50	LT	1.89		
IL 84	724+00	LT	1.89		
IL 84	726+50	LT	0.33		

56100700 WATER MAIN 8"					TOTAL	30	FOOT
ALIGNMENT	STA	OFFSET	STA	OFFSET	SUBTOTALS		
IL 84	706+15.26	LT	706+45.26	LT	30		

FILE NAME = c:\p\work\king\illinois\35361\dm\04105\20011SCH.212.dgn

USER NAME = 35361	DESIGNED - JB	REVISED -
DRAWN - SO	REVISIONS -	
PLOT SCALE = 2.0000' / in.	CHECKED - JC	REVISED -
PLOT DATE = 3/20/2015	DATE - 03-12-2015	REVISED -

**STATE OF ILLINOIS
DEPARTMENT OF TRANSPORTATION**

SCHEDULE OF QUANTITIES 12

SCALE: N/A SHEET 12 OF 20 SHEETS STA. TO STA.

F.A.P. RTE.	SECTION	COUNTY	TOTAL SHEETS	SHEET NO.
17	104B-2	CARROLL/JACKSON	528	49
FED. ROAD DIST. NO.			ILLINOIS FED. AID PROJECT	
			CONTRACT NO. 64G59	

60266600 VALVE BOXES TO BE ADJUSTED			TOTAL	4	EACH
ALIGNMENT	STATION	OFFSET	SUBTOTALS		
IL 84	705+78.53	LT	1		
IL 84	706+19.47	LT	1		
IL 84	706+48.35	LT	1		
IL 84	706+95.32	LT	1		

60500060 REMOVING INLETS			TOTAL	4	EACH
ALIGNMENT	STATION	OFFSET	SUBTOTALS		
ILI 84	706+11.81	RT	1		
ILI 84	709+21.82	RT	1		
ILI 84	709+52.41	RT	1		
ILI 84	709+65.16	RT	1		

60605000 COMBINATION CONCRETE CURB AND GUTTER, TYPE B-6.24							TOTAL	1,206.5	FOOT
STA	OFF	LT/RT	STA	OFF	LT/RT	SUBTOTALS			
703+00.97	16.34	LT	705+75.18	46.71	LT	290.6			
706+05.18	46.34	LT	709+00.00	18.83	LT	311.2			
705+40.00	17.76	RT	709+00.00	18.62	RT	360.0			
99+45.00	15.00	RT	99+87.53	39.41	RT	52.0			
99+45.00	15.00	LT	99+71.62	36.66	LT	40.1			
709+00.00	18.62	RT	709+22.23	50.66	RT	42.7			
98+90.00	15.00	LT	99+45.00	15.00	LT	56.5			
98+90.00	15.00	RT	99+45.00	15.00	RT	53.5			

60608582 COMBINATION CONCRETE CURB AND GUTTER, TYPE M-4.24							TOTAL	1,882.5	FOOT
STA	OFF	LT/RT	STA	OFF	LT/RT	SUBTOTALS			
709+51.72	50.52	RT	715+00.00	27.00	RT	571.4			
715+00.00	27.00	RT	718+50.00	27.20	RT	351.8			
718+50.00	27.20	RT	728+09.00	18.00	RT	959.2			

60615400 PAVED DITCH, TYPE A-15			TOTAL	47	FOOT
LOCATION	SUBTOTALS				
DETENTION POND	47				

60622320 CONCRETE MEDIAN, TYPE SM-4.24						TOTAL	1,008	SO FT
STA	OFF	LT/RT	STA	OFF	LT/RT	SUBTOTALS		
1558+33.71	24.59	LT	1559+41.96	24.59	LT	1,008		

60900515 CONCRETE THRUST BLOCKS							TOTAL	12	EACH
ALIGNMENT	STA	OFF	STA	OFF	ITEM	SUBTOTALS			
IL 84	706+24.60	LT	706+49.60	LT	WATER MAIN 6"	4			
IL 84	707+82.60	LT	708+07.60	LT	WATER MAIN 8"	4			
IL 84	706+15.26	LT	706+45.26	LT	WATER MAIN 8"	4			

63000001 STEEL PLATE BEAM GUARDRAIL, TYPE A, 6 FOOT POSTS							TOTAL	3,587.5	FOOT
STA	OFF	LT/RT	STA	OFF	LT/RT	SUBTOTALS			
1546+00.00	13.83	RT	1558+00.00	20.00	RT	1,177.0			
1546+00.00	13.41	LT	1557+77.06	30.62	LT	1,226.0			
1558+00.00	20.00	RT	1560+05.35	20.00	RT	201.5			
1558+00.00	30.62	LT	1559+75.35	56.17	LT	193.3			
711+00.00	23.19	LT	715+00.00	29.90	LT	398.5			
715+00.00	29.90	LT	715+05.70	30.82	LT	5.7			
717+37.70	33.00	LT	718+50.00	30.63	LT	111.7			
718+50.00	30.63	LT	719+76.32	24.83	LT	125.8			
725+00.00	16.00	LT	726+50.00	16.00	LT	150.0			

63000009 STEEL PLATE BEAM GUARDRAIL, TYPE B, 9 FOOT POSTS							TOTAL	250	FOOT
STA	OFF	LT/RT	STA	OFF	LT/RT	SUBTOTALS			
726+50.00	16.00	LT	728+90.00	16.00	LT	250.0			

63000370 LONG-SPAN GUARDRAIL OVER CULVERT, 25 FT SPAN								TOTAL	350	FOOT
STAGE	STA	OFFSET	LT/RT	STA	OFFSET	LT/RT	SUBTOTALS			
STAGE 1	1555+14.22	9.84	LT	1556+84.49	25.69	LT	175			
	1546+12.50	13.41	LT	1547+87.50	13.37	LT	175			

63100045 TRAFFIC BARRIER TERMINAL, TYPE 2			TOTAL	1	EACH
STA	OFF	SUBTOTALS			
710+87.45	LT	1			

63100085 TRAFFIC BARRIER TERMINAL, TYPE 6			TOTAL	4	EACH
STA	OFF	SUBTOTALS			
1560+05.35	RT	1			
1560+05.35	LT	1			
715+05.70	LT	1			
717+37.70	LT	1			

63100167 TRAFFIC BARRIER TERMINAL, TYPE 1 (SPECIAL) TANGENT			TOTAL	2	EACH
STA	OFF	SUBTOTALS			
720+26.50	LT	1			
724+50.00	LT	1			

63200310 GUARDRAIL REMOVAL					TOTAL	4,158	FOOT
STA	OFF	STA	OFF	SUBTOTALS			
1546+00.00	RT	1558+00.00	RT	1,181			
1546+00.00	LT	1558+00.00	LT	1,218			
1558+00.00	RT	1560+66.24	LT	277			
1558+00.00	LT	1560+64.89	LT	272			
717+80.27	LT	718+50.00	LT	70			
718+50.00	LT	728+90.00	LT	1,040			
729+06.54	RT	730+07.10	RT	100			

66600105 FURNISHING AND ERECTING RIGHT OF WAY MARKERS				TOTAL	2	EACH	
ALIGNMENT	STA	OFF	SUBTOTALS				
IL 84	710+75.18	41.64	RT	1			
IL 84	711+00.24	54.18	RT	1			

66700305 PERMANENT SURVEY MARKERS, TYPE II			TOTAL	2	EACH
SUBTOTALS				LOCATIONS TO BE DETERMINED BY THE ENGINEER	
				1	
				1	

70100100 TRAFFIC CONTROL AND PROTECTION, STANDARD 701316				TOTAL	5	EACH
STAGE	STA	STA	SUBTOTALS			
STAGE 2A	713+90.00	718+29.00	1			
STAGE 2A/2B	1543+17.00	1559+18.73	1			
STAGE 2B	702+96.84	712+14.19	1			
STAGE 2B/3A	720+43.00	732+85.00	1			
STAGE 3A/3B	1553+50.00	1560+35.00	1			

70100200 TRAFFIC CONTROL AND PROTECTION, STANDARD 701331				TOTAL	5	EACH
STAGE	SUBTOTALS					
STAGE 1	1					
STAGE 1	1					
STAGE 2A	1					
STAGE 3A	1					
STAGE 3B	1					

FILE NAME = c:\p\work\king\illinois\35361\dm04105\20011SCH.213.dgn

USER NAME = 35361	DESIGNED - JB	REVISED -
	DRAWN - SO	REVISED -
PLOT SCALE = 2.0000' / in.	CHECKED - JC	REVISED -
PLOT DATE = 3/20/2015	DATE - 03-12-2015	REVISED -

STATE OF ILLINOIS
DEPARTMENT OF TRANSPORTATION

SCHEDULE OF QUANTITIES 13

SCALE: N/A SHEET 13 OF 20 SHEETS STA. TO STA.

F.A.P. RTE.	SECTION	COUNTY	TOTAL SHEETS	SHEET NO.
17	104B-2	CARROLL/JACKSON	528	50
CONTRACT NO. 64G59				
FED. ROAD DIST. NO. ILLINOIS FED. AID PROJECT				

70106800 CHANGEABLE MESSAGE SIGN				TOTAL	9	CAL	MO
LOCATION				SUBTOTALS			
PRE STAGE	US 52 WB	IL 84 SB	IL 84/IL 64/US 52 NB	2.5	IOWA		
	0.5	0.5	0.5	6.0	ILLINOIS		
STAGE 1		0.5	0.5				
STAGE 2A	0.5	0.5	0.5				
STAGE 2B	0.5	0.5	0.5				
STAGE 3A	0.5	0.5	0.5				
STAGE 3B	0.5	0.5	0.5				

70300220 TEMPORARY PAVEMENT MARKING - LINE 4"								TOTAL	52,208	FOOT
STAGE	TYPE	STA	OFF	LT/RT	STA	OFF	LT/RT	SUBTOTALS		
PRE STAGE	EDGE LINE	1555+94.25	11.94	RT	1560+83.81	33.13	LT	497		
	DBL CENTER	1555+93.43	0.00		1560+83.58	43.12	LT	1,005		
	EDGE LINE	1555+92.63	12.01	LT	1560+83.35	53.12	LT	509		
STAGE 1	EDGE LINE	706+25.21	12.00	RT	709+26.78	50.58	RT	335		
	DBL CENTER	706+50.21	0.00		734+52.09	0.00		5,686		
	EDGE LINE	706+25.21	12.00	LT	717+11.57	100.40	LT	1,133		
	EDGE LINE	709+46.60	50.52	RT	731+03.00	12.00	RT	2,196		
	EDGE LINE	717+31.73	97.56	LT	730+48.40	12.00	LT	1,366		
STAGE 2A	EDGE LINE	1543+00.00	12.00	RT	1557+00.95	2.57	RT	1,387		
	DBL CENTER	1543+00.00	0.00		1543+17.00	0.00		34		
	EDGE LINE	1543+00.00	12.00	LT	1559+60.71	52.25	LT	1,675		
	EDGE LINE	700+00.00	12.00	RT	701+95.75	40.63	RT	216		
	DBL CENTER	700+00.00	0.00		713+90.00	20.00	LT	2,778		
	EDGE LINE	700+00.00	12.00	LT	701+96.91	50.51	LT	225		
	EDGE LINE	702+19.75	40.63	RT	718+30.33	7.42	LT	1,633		
	EDGE LINE	702+20.91	50.51	LT	705+78.56	77.69	LT	423		
	EDGE LINE	706+02.56	77.40	LT	717+10.39	92.16	LT	1,192		
	SKIP DASH	716+35.51	15.00	LT	717+95.95	27.14	LT	28		
STAGE 2B	EDGE LINE	1543+33.00	12.00	RT	1558+06.62	14.70	LT	1,608		
	DBL CENTER	1558+63.53	33.73	RT	1559+19.33	38.43	LT	118		
	EDGE LINE	1543+77.00	12.00	LT	1559+50.89	52.01	LT	1,484		
	EDGE LINE	702+19.75	40.63	RT	711+41.85	24.13	RT	941		
	EDGE LINE	702+20.91	50.51	LT	717+05.74	59.53	LT	1,554		
	DBL CENTER	712+14.19	15.00	RT	722+83.17	1.06	RT	2,144		
	EDGE LINE	715+60.85	26.00	RT	718+14.23	25.91	RT	255		
	EDGE LINE	717+29.66	83.49	LT	732+85.06	12.00	LT	1,629		
	EDGE LINE	720+99.18	20.00	RT	732+84.94	12.00	RT	1,188		
STAGE 3A	EDGE LINE	1547+89.39	12.00	LT	1560+62.10	52.62	LT	1,316		
	DBL CENTER	1547+53.28	0.00		1553+99.93	8.00	LT	1,303		
	EDGE LINE	1547+26.16	12.00	RT	1555+42.47	8.00	LT	816		
	EDGE LINE	1556+39.84	8.00	LT	1560+62.57	32.63	LT	432		
	EDGE LINE	711+00.00	12.00	RT	717+75.16	25.98	RT	678		
	DBL CENTER	711+00.00	0.00		718+19.97	14.89	RT	1,442		
	EDGE LINE	711+00.00	12.00	LT	717+05.74	59.53	LT	644		
	EDGE LINE	720+34.18	0.16	RT	731+57.63	12.00	LT	1,125		
	EDGE LINE	721+80.27	20.00	RT	731+25.50	12.00	RT	944		
STAGE 3B	EDGE LINE	1547+49.69	12.00	LT	1562+59.79	12.00	LT	1,509		
	DBL CENTER	1547+76.99	0.00		1553+83.29	8.00	RT	1,205		
	EDGE LINE	1548+04.29	12.00	RT	1562+09.88	12.00	RT	1,380		
	DBL CENTER	1560+34.83	8.00	RT	1562+34.83	0.00		400		
	EDGE LINE	709+86.79	12.00	LT	716+01.94	106.20	LT	675		
	DBL CENTER	710+25.00	0.00		723+39.91	0.00		2,635		
	EDGE LINE	710+02.16	14.97	RT	714+16.99	25.00	RT	316		
	EDGE LINE	715+60.85	26.00	RT	718+09.87	26.00	RT	250		
	EDGE LINE	716+24.86	106.71	LT	723+95.86	12.00	LT	872		
	EDGE LINE	719+30.27	23.59	RT	722+83.96	12.00	RT	355		
	EDGE LINE	1582+99.22	12.00	LT	1584+90.13	4.36	LT	191		
	DBL CENTER	1583+24.00	0.00		1584+92.01	6.72	RT	336		
	EDGE LINE	1583+48.78	12.00	RT	1584+93.90	17.80	RT	145		

70106500 TEMPORARY BRIDGE TRAFFIC SIGNALS					TOTAL	5	EACH
ROADWAY	STAGE	STA	STA	SUBTOTALS			
US-52	STAGE 2A	1543+67.00	1558+71.70	1			
	STAGE 2B	1543+67.00	1558+10.62				
	STAGE 3A	1554+58.74	1559+64.94	1			
	STAGE 3B	1554+51.29	1559+44.20				
IL-84	STAGE 2A	714+40.19	717+78.69	1			
	STAGE 2B	703+46.68	711+66.48	1			
	STAGE 3A	723+39.97	732+34.39	1			
IL 84 STAGE 3A RELOCATION INCLUDED IN STAGE 2B	STAGE 3A	720+95.03	731+35.38				

70300100 SHORT TERM PAVEMENT MARKING								TOTAL	1,464	FOOT
STA	STA	OFF	DESCRIPTION	FACTOR	LENGTH	TOTAL	SUBTOTALS			
PERMANENT PAVEMENT MARKINGS QUANTITIES										
1546+00.00	1560+32.25	LT/RT	WHITE EDGE	2.00	1,432	2,865	116			
1546+00.00	1560+32.25	CL	DOUBLE YELLOW	2.00	1,432	2,865	132			
1560+32.25	1585+54.00	LT/RT	WHITE EDGE	2.00	2,522	5,053	204			
1560+32.25	1585+65.33	CL	DOUBLE YELLOW	2.00	2,533	5,066	232			
705+40.00	708+92.83	CL	YELLOW - DASH	1.00	370	370	36			
705+40.00	705+65.70	LT	WHITE EDGE	1.00	51	51	4			
706+20.03	709+31.91	LT	WHITE EDGE	1.00	354	354	16			
705+40.00	709+24.08	RT	WHITE EDGE	1.00	400	400	16			
709+58.35	715+87.65	LT	WHITE EDGE	1.00	635	635	28			
709+49.74	728+90.00	RT	WHITE EDGE	1.00	1,966	1,966	80			
716+55.13	728+90.00	LT	WHITE EDGE	1.00	1,240	1,240	52			
709+77.31	713+60.08	LT/RT	DOUBLE YELLOW	4.00	383	1,531	72			
713+60.08	715+67.68	CL	DOUBLE YELLOW	2.00	208	415	20			
716+55.58	721+09.86	LT/RT	DOUBLE YELLOW	4.00	454	1,817	84			
721+09.86	728+90.00	CL	DOUBLE YELLOW	2.00	780	1,560	72			
			STOP BARS	3.00	100	300	300			
EDGE LINE = 4 FT STRIPES ON 100 FT CENTERS										
DOUBLE YELLOW = 4 FT SINGLE STRIPE 40 FT SPACING										

70106700 TEMPORARY RUMBLE STRIPS					TOTAL	12	EACH
ROADWAY	STAGE				SUBTOTALS		
US-52	STAGE 2A	WESTBOUND			3		
US-52	STAGE 3A	WESTBOUND			3		
IL-84	STAGE 2A	SOUTHBOUND			3		
IL-84	STAGE 2B	SOUTHBOUND			3		

FILE NAME = c:\p\work\king\illinois\35361\dm\04105\20011SCH_214.dgn

USER NAME = 35361	DESIGNED - JB	REVISED -
DRAWN - SQ	REVISED -	
PLOT SCALE = 2.0000' / in.	CHECKED - JC	REVISED -
PLOT DATE = 3/20/2015	DATE - 03-12-2015	REVISED -

STATE OF ILLINOIS
DEPARTMENT OF TRANSPORTATION

SCHEDULE OF QUANTITIES 14

SCALE: N/A SHEET 14 OF 20 SHEETS STA. TO STA.

F.A.P. RTE.	SECTION	COUNTY	TOTAL SHEETS	SHEET NO.
17	104B-2	CARROLL/JACKSON	528	51
CONTRACT NO. 64G59				
FED. ROAD DIST. NO. ILLINOIS FED. AID PROJECT				

70300280 TEMPORARY PAVEMENT MARKING - LINE 24"				TOTAL	287	FOOT
STAGE	STA	OFFSET	LT/RT	SUBTOTALS		
STAGE 1	705+90.23	50.55	LT	12		
	709+46.02	30.37	RT	10		
	716+84.34	37.97	LT	28		
STAGE 2A	1543+17.00	0.00		12		
	1559+19.38	38.44	LT	11		
	702+19.75	28.63	RT	12		
	713+90.00	20.00	LT	11		
	718+29.62	18.40	LT	11		
STAGE 2B	1558+63.53	33.73	LT	12		
	702+96.89	0.00		12		
	712+11.80	15.00	RT	11		
	716+95.84	19.88	LT	14		
	722+83.17	1.06	RT	11		
STAGE 3A	732+85.00	0.00		12		
	1553+99.93	8.00	LT	11		
	1560+20.18	41.63	LT	11		
	720+43.94	10.87	RT	10		
STAGE 3B	731+85.26	12.00	LT	12		
	1553+83.29	8.00	RT	11		
	1560+34.83	8.00	RT	11		
	715+95.53	11.58	LT	42		

70400200 RELOCATE TEMPORARY CONCRETE BARRIER							TOTAL	612.50	FOOT
STAGE	STA	OFFSET	STA	OFFSET	LT/RT	SUBTOTALS			
STAGE 2B	710+09.03	2.06	716+16.96	2.06	RT	608.16			

70500100 TEMPORARY STEEL PLATE BEAM GUARDRAIL, TYPE A								TOTAL	337	FOOT
STAGE	STA	OFFSET	LT/RT	STA	OFFSET	LT/RT	SUBTOTALS			
STAGE 2A	1545+75.34	13.83	RT	1546+26.83	16.94	RT	52			
STAGE 2A	1555+68.57	20.00	LT	1556+78.44	24.63	LT	113			
STAGE 2A	1556+52.93	11.95	RT	1557+36.76	4.48	RT	84			
STAGE 3A	1559+78.28	27.92	LT	1560+66.34	31.75	LT	88			

70600240					TOTAL	1	EACH
IMPACT ATTENUATORS, TEMPORARY (NON- REDIRECTIVE), TEST LEVEL 2							
STAGE	STA	OFFSET	LT/RT	SUBTOTALS			
STAGE 1	710+05.94	31.61	LT	1			

70600255					TOTAL	3	EACH
IMPACT ATTENUATORS, TEMPORARY (FULLY REDIRECTIVE, NARROW), TEST LEVEL 2							
STAGE	STA	OFFSET	LT/RT	SUBTOTALS			
STAGE 1	714+13.80	32.94	LT	1			
	716+36.17	18.00	LT	1			
STAGE 2B	724+71.78	3.67	LT	1			

70301000 WORK ZONE PAVEMENT MARKING REMOVAL				TOTAL	17,781	SO FT
STAGE	LENGTH	WIDTH	SUBTOTALS			
	FT	FT				
PRE STAGE	2,011	0.33	664			
STAGE 1	10,716	0.33	3,536			
	50	2.00	100			
STAGE 2A	3,096	0.33	1,022			
	6,495	0.33	2,143			
	23	2.00	46			
STAGE 2B	34	2.00	68			
	3,210	0.33	1,059			
	7,711	0.33	2,545			
	12	2.00	24			
STAGE 3A	60	2.00	120			
	3,867	0.33	1,276			
	4,833	0.33	1,595			
STAGE 3B	22	2.00	44			
	10	2.00	20			
	4,500	0.33	1,485			
	5,775	0.33	1,906			
	22	2.00	44			
	42	2.00	84			

70500615 TEMPORARY TRAFFIC BARRIER TERMINAL, TYPE 1					TOTAL	3	EACH
STAGE	STA	OFF	LT/RT	SUBTOTALS			
PRE STAGE	1558+12.43	7.22	RT	1			
	1559+70.45	3.60	LT	1			
STAGE 3A	1559+28.62	26.60	LT	1			

70500690 TEMPORARY TRAFFIC BARRIER TERMINAL, TYPE 11					TOTAL	3	EACH
STAGE	STA	OFF	LT/RT	SUBTOTALS			
STAGE 2A	1546+26.83	16.94	RT	1			
	1556+52.93	11.95	RT	1			
STAGE 3A	1560+66.34	31.75	LT	1			

70600260					TOTAL	1	EACH
IMPACT ATTENUATORS, TEMPORARY (FULLY REDIRECTIVE, NARROW), TEST LEVEL 3							
STAGE	STA	OFFSET	LT/RT	SUBTOTALS			
STAGE 2B	729+15.00	2.06	LT	1			

70600322					TOTAL	4	EACH
IMPACT ATTENUATORS, RELOCATE (FULLY REDIRECTIVE, NARROW), TEST LEVEL 2							
STAGE	STA	OFFSET	LT/RT	SUBTOTALS			
STAGE 2B	710+09.03	2.06	RT	1			
	716+16.96	2.00	RT	1			
STAGE 3A	722+75.00	7.06	RT	1			
STAGE 3B	1558+02.14	2.06	RT	1			

70400100 TEMPORARY CONCRETE BARRIER							TOTAL	1,525.0	FOOT
STAGE	STA	OFFSET	STA	OFFSET	LT/RT	SUBTOTALS			
STAGE 1	710+09.86	31.72	715+19.50	29.79	LT	506.80			
STAGE 2A	1546+26.83	16.94	1556+52.93	11.95	RT	1,013.60			

FILE NAME = c:\p\work\king\illinois\35361\dm0405\20011SCH.215.dgn

USER NAME = 35361	DESIGNED - JB	REVISED -
	DRAWN - SO	REVISED -
PLOT SCALE = 2.0000' / in.	CHECKED - JC	REVISED -
PLOT DATE = 3/20/2015	DATE - 03-12-2015	REVISED -

STATE OF ILLINOIS
DEPARTMENT OF TRANSPORTATION

SCHEDULE OF QUANTITIES 15

SCALE: N/A SHEET 15 OF 20 SHEETS STA. TO STA.

F.A.P. RTE.	SECTION	COUNTY	TOTAL SHEETS	SHEET NO.
17	104B-2	CARROLL/JACKSON	528	52
CONTRACT NO. 64G59				
FED. ROAD DIST. NO. ILLINOIS FED. AID PROJECT				

ALIGNMENT	STA	OFF	DESCRIPTION	SUBTOTALS
US52	1559+55.35	LT	HANDICAPPED SYMBOL	4.8
IL 84	713+86.90	CL	LARGE ARROW	15.6
IL 84	714+68.91	CL	LARGE ARROW	15.6
IL 84	715+50.27	CL	LARGE ARROW	15.6
RANDOLPH	199+08.64	LT	RAILROAD CROSSING	64.7

ALIGNMENT	STA	STA	OFF	DESCRIPTION	FACTOR	LENGTH	SUBTOTALS
US 52	1546+00.00	1560+32.25	LT/RT	WHITE EDGE	2.00	1,432	2,865
US 52	1546+00.00	1560+32.25	CL	DOUBLE YELLOW	2.00	1,432	2,865
US 52	1560+32.25	1585+54.00	LT/RT	WHITE EDGE	2.00	2,522	5,053
US 52	1560+32.25	1585+65.33	CL	DOUBLE YELLOW	2.00	2,533	5,066
IL 84	705+40.00	708+92.83	CL	YELLOW - DASH	0.25	370	93
IL 84	705+40.00	705+65.70	LT	WHITE EDGE	1.00	51	51
IL 84	706+20.03	709+31.91	LT	WHITE EDGE	1.00	354	354
IL 84	705+40.00	709+24.08	RT	WHITE EDGE	1.00	400	400
IL 84	709+58.35	715+87.65	LT	WHITE EDGE	1.00	635	635
IL 84	709+49.74	728+90.00	RT	WHITE EDGE	1.00	1,966	1,966
IL 84	716+55.13	728+90.00	LT	WHITE EDGE	1.00	1,240	1,240
IL 84	709+77.31	713+60.08	LT/RT	DOUBLE YELLOW	4.00	383	1,531
IL 84	713+60.08	715+67.68	CL	DOUBLE YELLOW	2.00	208	415
IL 84	716+55.58	721+09.86	LT/RT	DOUBLE YELLOW	4.00	454	1,817
IL 84	721+09.86	728+90.00	CL	DOUBLE YELLOW	2.00	780	1,560

ALIGNMENT	STA	STA	OFF	DESCRIPTION	FACTOR	LENGTH	SUBTOTALS
IL 84	711+81.41	713+81.34	RT	WHITE - DASH	0.33	200.19	66
IL 84	713+81.62	715+66.68	RT	WHITE	1.00	185.29	185

ALIGNMENT	STA	STA	OFF	DESCRIPTION	SUBTOTALS
IL 84	709+94.08	713+37.79	LT/RT	DIAGONAL YELLOW	237
IL 84	716+73.68	720+22.26	LT/RT	DIAGONAL YELLOW	237
IL 84	705+68.56	706+11.56	LT	CROSSWALK	112
IL 84	706+16.53	N/A	CL	CROSSWALK	91

ALIGNMENT	STA	OFF	DESCRIPTION	SUBTOTALS
US52	1585+65.33	RT	WHITE STOP BAR	36
RANDOLPH STREET	197+57.06	RT	WHITE STOP BAR	15
RANDOLPH STREET	198+83.64	RT	RR CROSSING	12
RANDOLPH STREET	199+33.64	RT	RR CROSSING	12
RANDOLPH STREET	199+68.39	RT	WHITE STOP BAR	15
CALHOUN STREET	99+53.23	RT	WHITE STOP BAR	16
IL 84/CALHOUN STREET	709+48.21	RT	WHITE STOP BAR	23

ALIGNMENT	STA	STA	OFF	TYPE	C-C FT	COLOR	LENGTH	SUBTOTALS
IL 84	705+40.00	709+77.31	CL	2 WAY	80	AMBER	437	5
IL 84	709+77.31	715+67.68	LT	2 WAY	40	AMBER	590	15
IL 84	709+77.31	711+64.46	RT	2 WAY	40	AMBER	187	5
IL 84	711+64.46	715+67.68	RT	2 WAY	20	AMBER	403	20
IL 84	713+81.54	715+67.68	RT	1 WAY	20	CRYSTAL	186	9
IL 84	716+55.58	720+60.00	LT	2 WAY	40	AMBER	404	10
IL 84	716+55.58	720+60.00	RT	2 WAY	40	AMBER	404	10
IL 84	720+60.00	728+90.00	CL	2 WAY	80	AMBER	830	10

ALIGNMENT	STA	STA	SPACING FT	COLOR	LOCATION	SUBTOTALS
US 52	1558+33.71	1558+38.14	2	CRYSTAL	RADIUS	3
US 52	1558+38.14	1559+37.38	20	CRYSTAL	MEDIAN	10
US 52	1559+37.38	1559+41.96	2	CRYSTAL	RADIUS	3

ALIGNMENT	STA	RT/LT	STA	RT/LT	C-C FT	SUBTOTALS
US 52	1546+00.00	RT	1558+00.00	RT	80	15
US 52	1546+00.00	LT	1557+77.06	LT	80	15
US 52	1558+00.00	RT	1560+05.35	RT	80	3
US 52	1558+00.00	LT	1559+75.35	LT	80	3
IL 84	711+00.00	LT	715+00.00	LT	80	5
IL 84	715+00.00	LT	715+05.70	LT	80	1
IL 84	717+37.70	LT	718+50.00	LT	80	2
IL 84	718+50.00	LT	719+76.32	LT	80	2
IL 84	725+00.00	LT	728+90.00	LT	80	5
TEMPORARY STEEL PLATE BEAM GUARDRAIL, TYPE A						
STAGE 2A	1555+68.57	LT	1556+78.44	LT	25	5
STAGE 2A	1545+61.77	RT	1546+00.00	RT	25	2
STAGE 2A	1556+52.93	RT	1557+23.54	RT	25	3
STAGE 3A	1559+78.28	LT	1560+66.34	LT	25	4

ALIGNMENT	STA	OFF	DESCRIPTION	SUBTOTALS
SPACING EVERY 80' ON STR. 008-0052				
1560+61.75 TO 1585+24.50				31
				31

LOCATION	STATION	OFFSET	LT/RT	SUBTOTALS
TRAFFIC BARRIER TERMINAL, TYPE 1 (SPECIAL) TANGENT				
	720+26.50	LT	LT	1
	724+50.00	LT	LT	1
TEMPORARY TRAFFIC BARRIER TERMINAL, TYPE 1				
STAGE 2A	1546+00.00	16	RT	1
	1556+52.93	11.95	RT	1
STAGE 3A	1560+66.34	31.75	LT	1

STAGE	STA	STA	LENGTH FT	WIDTH FT	SUBTOTALS
START	1542+50	1558+00	385	0.33	128
	1558+00	1573+00	873	0.33	291
PRE-STAGE	700+00	714+50	3984	0.33	1,328
	714+50	718+50	1239	0.33	413
	718+50	734+25	3755	0.33	1,252

ITEM	SUBTOTALS
LIGHTING	0.5
LIGHTING	0.5
WEIGH-IN-MOTION	1

ALIGNMENT	STA	OFF	STA	OFF	SUBTOTALS
IL 84	709+20.95	RT	709+52.36	RT	1

FILE NAME = c:\pwork\king\illinois\35361\dm04105\20011SCH.218.dgn

USER NAME = 35361	DESIGNED - JB	REVISED -
	DRAWN - SO	REVISED -
PLOT SCALE = 2.0000' / in.	CHECKED - JC	REVISED -
PLOT DATE = 3/20/2015	DATE - 03-12-2015	REVISED -

STATE OF ILLINOIS
DEPARTMENT OF TRANSPORTATION

SCHEDULE OF QUANTITIES 18

SCALE: N/A SHEET 18 OF 20 SHEETS STA. TO STA.

F.A.P. RTE.	SECTION	COUNTY	TOTAL SHEETS	SHEET NO.
17	104B-2	CARROLL/JACKSON	528	55
CONTRACT NO. 64G59				
FED. ROAD DIST. NO. ILLINOIS FED. AID PROJECT				

X2501845 SEEDING, CLASS 7 (SPECIAL) TOTAL 2.50 ACRE						
ALIGNMENT	STA	OFF	STA	OFF	AREA (SF)	SUBTOTALS
US 52	1564+59.41	LT	1569+30.36	RT	110,542	2.54

X6026050 SANITARY MANHOLES TO BE ADJUSTED TOTAL 2 EACH				
ALIGNMENT	STATION	OFFSET	SUBTOTALS	
IL 84	705+89.57	LT	1	
IL 84	707+79.00	LT	1	

X0325366 STORM SEWER REPAIR TOTAL 3 FOOT				
ALIGNMENT	STA	OFF	SUBTOTALS	
CALHOUN	97+90.30	RT	3	

X4060310 TOTAL 101 TON						
HOT-MIX ASPHALT SURFACE COURSE, MIX "C", N50, SPECIAL						
STA	STA	AREA (SQ FT)	AREA (SQ YD)	WEIGHT (TONS)	SUBTOTALS	
THICKNESS: 3 INCHES						
UNIT WEIGHT 112 LBS/SY/IN						
199+25.00	199+53.47	740	82	13.82	13.8	
197+45.25	199+25.00	4673	519	87.23	87.2	

X6062400 CONCRETE GUTTER (SPECIAL) TOTAL 1,386 FOOT						
STA	OFF (FT)	LT/RT	STA	OFF (FT)	LT/RT	SUBTOTALS
711+29.92	38.44	RT	715+00.00	40.71	RT	373
715+00.00	40.71	RT	718+50.00	40.21	RT	353
718+50.00	40.21	RT	725+07.27	34.58	RT	660

X0326805 FOUNDATION REMOVAL TOTAL 4,644 SQ FT					
STA	OFF	STA	OFF	SUBTOTALS	
712+94.66	66.18 LT	713+14.84	30.15 LT	762	
713+40.25	72.93 RT	713+64.82	103.90 RT	490	
713+98.49	48.58 LT	714+32.36	20.10 LT	939	
714+13.52	66.24 RT	714+34.34	80.57 RT	302	
714+50.27	45.65 LT	714+81.82	20.76 LT	779	
720+36.57	20.16 RT	720+83.41	58.26 RT	1,372	

X4400110 TEMPORARY PAVEMENT REMOVAL TOTAL 3,879 SQ YD								
STAGE	STA	OFF (FT)	LT/RT	STA	OFF (FT)	LT/RT	AREA (SQ FT)	SUBTOTALS
TEMPORARY PAVEMENT	709+11.39	19.56	LT	716+36.33	9.77	LT	16,134	1,793
PRE STAGE	717+87.06	22.53	LT	730+50.00	12.59	LT	6,281	698
	1556+61.21	18.44	LT	1560+00.00	52.63	LT	2,563	285
STAGE 1	703+00.97	18.44	LT	709+11.39	19.56	LT	4,564	507
STAGE 2A	1546+00.00	12.15	RT	1551+30.39	19.50	RT	3,321	369
	1554+40.40	19.50	RT	1557+27.42	0.62	LT	1,558	173
	1555+78.42	11.13	LT	1556+61.21	18.50	LT	488	54

X6330725 STEEL PLATE BEAM GUARDRAIL (SHORT RADIUS) TOTAL 100 FOOT					
STA	OFF (FT)	STA	OFF (FT)	SUBTOTALS	
1557+77.06	20.00 LT	1557+94.44	26.12 LT	25.0	
1558+19.94	47.61 LT	1558+38.14	54.67 LT	25.0	
1559+75.35	50.00 LT	1560+05.35	20.00 LT	50.0	

X0488100 REMOVING EXISTING SEPTIC TANK TOTAL 2 EACH				
ALIGNMENT	STA	OFF	SUBTOTALS	
US 52	1559+00	LT	1	
IL 84	721+00	RT	1	
LOCATIONS ARE APPROXIMATE				

X4823029 HOT-MIX ASPHALT SHOULDERS, 8", SPECIAL TOTAL 2,226 SQ YD							
STA	OFF (FT)	LT/RT	STA	OFF (FT)	LT/RT	AREA (SQ FT)	SUBTOTALS
1546+00.00	13.83	RT	1558+00.00	20.00	RT	9,206	1,023
1546+00.00	13.41	LT	1557+77.06	20.00	LT	8,995	999
1558+00.00	20.00	RT	1560+32.25	20.00	RT	1,833	204

X7040125 PINNING TEMPORARY CONCRETE BARRIER TOTAL 486 EACH					
3 PINS PER TCB SEGMENT					
STAGE	STA	STA	LENGTH	TCB SEGMENTS EACH	SUBTOTALS
NEW TCB					
STAGE 1	710+09.86	715+19.50	506.82	40	114
STAGE 2A	1546+26.83	1556+52.93	101.61	80	234
RELOCATE TCB					
STAGE 2B	710+09.03	716+16.96	608.16	48	138

FILE NAME = c:\p\work\king\illinois\35361\dm04105\20011SCH-219.dgn

USER NAME = 35361	DESIGNED - JB	REVISED -
	DRAWN - SQ	REVISED -
PLOT SCALE = 2.0000' / in.	CHECKED - JC	REVISED -
PLOT DATE = 3/20/2015	DATE - 03-12-2015	REVISED -

STATE OF ILLINOIS
DEPARTMENT OF TRANSPORTATION

SCHEDULE OF QUANTITIES 19

SCALE: N/A SHEET 19 OF 20 SHEETS STA. TO STA.

F.A.P. RTE.	SECTION	COUNTY	TOTAL SHEETS	SHEET NO.
17	104B-2	CARROLL/JACKSON	528	56
CONTRACT NO. 64G59				
FED. ROAD DIST. NO. ILLINOIS FED. AID PROJECT				

X7230203	INSTALL SIGN PANEL - TYPE 3	TOTAL	32	SO FT
SUBTOTALS				
WELCOME TO ILLINOIS SIGN AT US 52 / IL 84 INTERSECTION			32	

X7330064	SIGN SUPPORT SPECIAL	TOTAL	5	EACH
SUBTOTALS				
STA	OFF	SIGN DESCRIPTION		SUBTOTALS
1566+48.81	LT	ADVANCE TURN ARROW	1	
1572+94.32	LT	SCENIC AREA 1/4 MILES	1	
1580+55.04	RT	STOP SIGN AHEAD	1	
1583+47.37	LT	SPEED LIMIT 40	1	
1584+25.00	LT	US/IL ROUTE SIGNS	1	

Z0013300	CONCRETE REMOVAL (SPECIAL)	TOTAL	178	SO YD		
LOCATION	STA	OFF	STA	OFF	AREA SQ FT	SUBTOTALS
IL 84	712+85.22	89.92 RT	712+87.77	97.27 RT	21	2
IL 84	713+08.09	105.21 RT	713+19.80	101.46 RT	39	4
IL 84	714+32.54	83.87 LT	714+41.54	98.30 LT	118	13
IL 84	715+06.77	68.96 RT	715+26.92	59.08 RT	142	16
IL 84	715+09.75	85.07 RT	715+47.11	78.52 RT	314	35
IL 84	715+43.89	58.30 RT	715+96.18	26.32 RT	212	24
IL 84	715+50.19	25.91 LT	715+56.98	31.05 LT	36	4
IL 84	715+53.80	48.61 LT	715+60.62	53.75 LT	36	4
IL 84	715+85.66	53.79 RT	715+99.97	48.33 RT	83	9
IL 84	716+61.00	79.86 RT	717+09.33	82.40 RT	179	20
IL 84	719+48.37	60.09 RT	719+53.88	45.05 RT	62	7
IL 84	720+39.78	20.09 RT	720+45.08	15.56 RT	20	2
IL 84	721+61.46	25.62 RT	721+98.61	18.97 RT	341	38

Z0013797	STABILIZED CONSTRUCTION ENTRANCE	TOTAL	500	SO YD
SUBTOTALS				
ENTRANCE TO PR BRIDGE WORK ZONE IOWA SIDE			250	
ENTRANCE TO PR BRIDGE WORK ZONE ILLINOIS SIDE			250	

Z0023201	SEDIMENT CONTROL, SILT CURTAIN	TOTAL	6	EACH
SUBTOTALS				
IOWA CAUSEWAY DURING EMBANKMENT CONSTRUCTION. LOCATIONS TO BE ADJUSTED PER ACTIVE EXCAVATION.			6	

Z0025505	PROPERTY MARKERS	TOTAL	19	EACH
ALIGNMENT	STA	OFF	LT/RT	SUBTOTALS
IL 84	709+81.62	194.44	LT	1
IL 84	710+85.83	189.71	LT	1
IL 84	712+90.35	128.10	LT	1
IL 84	712+93.28	171.07	LT	1
IL 84	713+41.36	119.76	LT	1
IL 84	713+41.72	124.41	LT	1
IL 84	715+70.56	92.81	LT	1
IL 84	715+71.11	97.44	LT	1
IL 84	716+81.36	78.59	LT	1
IL 84	716+87.64	123.17	LT	1
IL 84	717+78.93	47.18	LT	1
IL 84	717+88.64	108.23	LT	1
IL 84	711+28.60	49.07	RT	1
IL 84	711+25.22	143.31	RT	1
IL 84	715+36.73	175.50	RT	1
IL 84	715+39.48	150.06	RT	1
IL 84	718+34.42	124.91	RT	1
IL 84	725+26.81	118.20	RT	1
IL 84	725+27.47	29.46	RT	1

Z0027800	GEOTECHNICAL FABRIC	TOTAL	4,471	SO YD				
LOCATION	STA	LENGTH	LT	AREA SQ FT	LENGTH	RT	AREA SQ FT	SUBTOTALS
US 52	1546+00.00	0.00		0.00			0	0
US 52	1546+50.00	11.78		295	10.57		264	62
US 52	1547+00.00	14.69		662	13.92		612	142
US 52	1547+50.00	14.42		728	13.84		694	158
US 52	1548+00.00	15.57		750	14.34		705	162
US 52	1548+50.00	16.25		796	15.05		735	170
US 52	1549+00.00	15.29		789	15.46		763	172
US 52	1549+50.00	16.25		789	15.73		780	174
US 52	1550+00.00	19.76		900	11.64		684	176
US 52	1550+50.00	22.27		1051	7.88		488	171
US 52	1551+00.00	22.72		1125	7.02		372	166
US 52	1551+50.00	22.85		1139	0.00		175	146
US 52	1552+00.00	26.47		1233	3.55		89	147
US 52	1552+50.00	27.09		1339	2.63		155	166
US 52	1553+00.00	26.13		1331	2.71		134	163
US 52	1553+50.00	26.46		1315	4.77		187	167
US 52	1554+00.00	24.17		1266	5.69		261	170
US 52	1554+50.00	22.15		1158	7.82		338	166
US 52	1555+00.00	19.27		1036	8.79		415	161
US 52	1555+50.00	16.09		884	8.14		423	145
US 52	1556+00.00	13.35		736	11.48		491	136
US 52	1556+50.00	10.16		588	17.66		729	146
US 52	1557+00.00	3.48		341	21.67		983	147
US 52	1557+50.00	5.48		224	22.48		1104	148
US 52	1558+00.00	4.26		243	19.75		1056	144
US 52	1558+50.00	9.02		332	12.43		804	126
US 52	1559+00.00	4.20		331	10.99		586	102
US 52	1559+50.00	3.22		185	24.54		888	119
US 52	1560+00.00	5.29		213	45.11		1741	217
US 52	1560+50.00	0.00		132	22.02		1678	201

Z0028415	GEOTECHNICAL REINFORCEMENT	TOTAL	9,560	SO YD
STA	STA	AREA SQ FT	SUBTOTALS	
1546+00.00	1558+00.00	66,512	7,390	
1558+00.00	1560+32.25	19,530	2,170	

Z0062456	TEMPORARY PAVEMENT	TOTAL	3,879	SO YD				
STAGE	STA	OFF (FT)	LT/RT	STA	OFF (FT)	LT/RT	AREA SO FT	SUBTOTALS
PRE STAGE	709+11.39	19.56	LT	716+36.33	9.77	LT	16,134	1,793
	717+87.06	22.53	LT	730+50.00	12.59	LT	6,281	698
	1556+61.21	18.44	LT	1560+00.00	52.63	LT	2,563	285
STAGE 1	703+00.97	18.44	LT	709+11.39	19.56	LT	4,564	507
STAGE 2A	1546+00.00	12.15	RT	1551+30.39	19.50	RT	3,321	369
	1554+40.40	19.50	RT	1557+27.42	0.62	LT	1,558	173
	1555+78.42	11.13	LT	1556+61.21	18.50	LT	488	54

Z0062458	TEMPORARY PAVEMENT (VARIABLE DEPTH)	TOTAL	244.9	TON				
STAGE	STA	OFF (FT)	LT/RT	STA	OFF (FT)	LT/RT	AREA SQ FT	SUBTOTALS
PRE STAGE	705+77.60	40.90	LT	706+03.07	41.36	LT	128	4.8
STAGE 1	705+56.05	27.17	LT	706+27.24	27.00	LT	736	27.5
STAGE 2A	716+53.08	0		717+75.32	0		2,025	75.6
	723+00.00	0		725+00.00	0		3,470	129.5
	1555+68.57	0		1555+78.57	0		200	7.5

6" AVERAGE DEPTH ASSUMED.

Z0073002	TEMPORARY SOIL RETENTION SYSTEM	TOTAL	14,512	SO FT
SUBTOTALS				
BRIDGE CONSTRUCTION IOWA				96
BRIDGE CONSTRUCTION ILLINOIS				96
	STA	STA	SIDES	AVG HEIGHT FT
CAUSEWAY EMBANKMENT CONSTRUCTION	1546+00.00	1560+32.00	2	5
				14,320

Z0075496	CONCRETE RETAINING WALL REMOVAL	TOTAL	799	FOOT			
ALIGNMENT	STA	OFF	STA	OFF	SUBTOTALS		
IL 84	711+56.10	80.66	RT	711+71.34	81.08	RT	16
IL 84	712+51.20	98.93	RT	712+72.94	99.86	RT	22
IL 84	713+65.33	55.03	LT	714+42.40	59.69	LT	83
IL 84	714+42.33	54.81	RT	714+44.63	67.38	RT	13
IL 84	715+11.60	86.65	RT	715+63.01	76.94	RT	68
IL 84	720+24.81	17.29	RT	720+58.84	59.86	RT	79
IL 84	720+29.84	13.35	RT	721+02.84	25.23	RT	78
IL 84	720+82.54	59.36	RT	721+34.60	59.61	RT	53
IL 84	721+15.40	7.89	RT	722+08.49	16.52	RT	94
IL 84	721+25.13	59.63	RT	722+09.68	46.52	RT	104
IL 84	721+27.50	59.20	RT	721+38.51	54.16	RT	14
IL 84	721+77.27	53.13	RT	722+09.31	46.53	RT	35
IL 84	722+16.01	38.88	RT	723+16.77	45.98	RT	108
IL 84	728+90.58	24.71	RT	729+10.18	25.72	RT	32

FILE NAME = c:\p\work\king\illinois\35361\dm04105\Z0011SCH.220.dgn

USER NAME = 35361	DESIGNED - JB	REVISED -
DRAWN - SO	REVISED -	
PLOT SCALE = 2.0000' / in.	CHECKED - JC	REVISED -
PLOT DATE = 3/20/2015	DATE - 03-12-2015	REVISED -

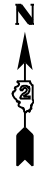
STATE OF ILLINOIS
DEPARTMENT OF TRANSPORTATION

SCHEDULE OF QUANTITIES 20

SCALE: N/A	SHEET 20	OF 20	SHEETS	STA.	TO STA.
------------	----------	-------	--------	------	---------

F.A.P. RFE.	SECTION	COUNTY	TOTAL SHEETS	SHEET NO.
17	104B-2	CARROLL/JACKSON	528	57
FED. ROAD DIST. NO.		ILLINOIS	FED. AID PROJECT	
		CONTRACT NO. 64G59		

PROPOSED HORIZONTAL CONTROL



PROPOSED US52-IL64

Chain PR_US52-IL64 contains:
70300 CUR 200 70301

Beginning chain PR_US52-IL64 description
Description: Current Pr US 52 alignment 2014

Point 70300 N 1,979,136.0493 E 2,295,479.5841 Sta 1542+00.00

Course from 70300 to PC 200 13° 16' 18.78" Dist 796.7871

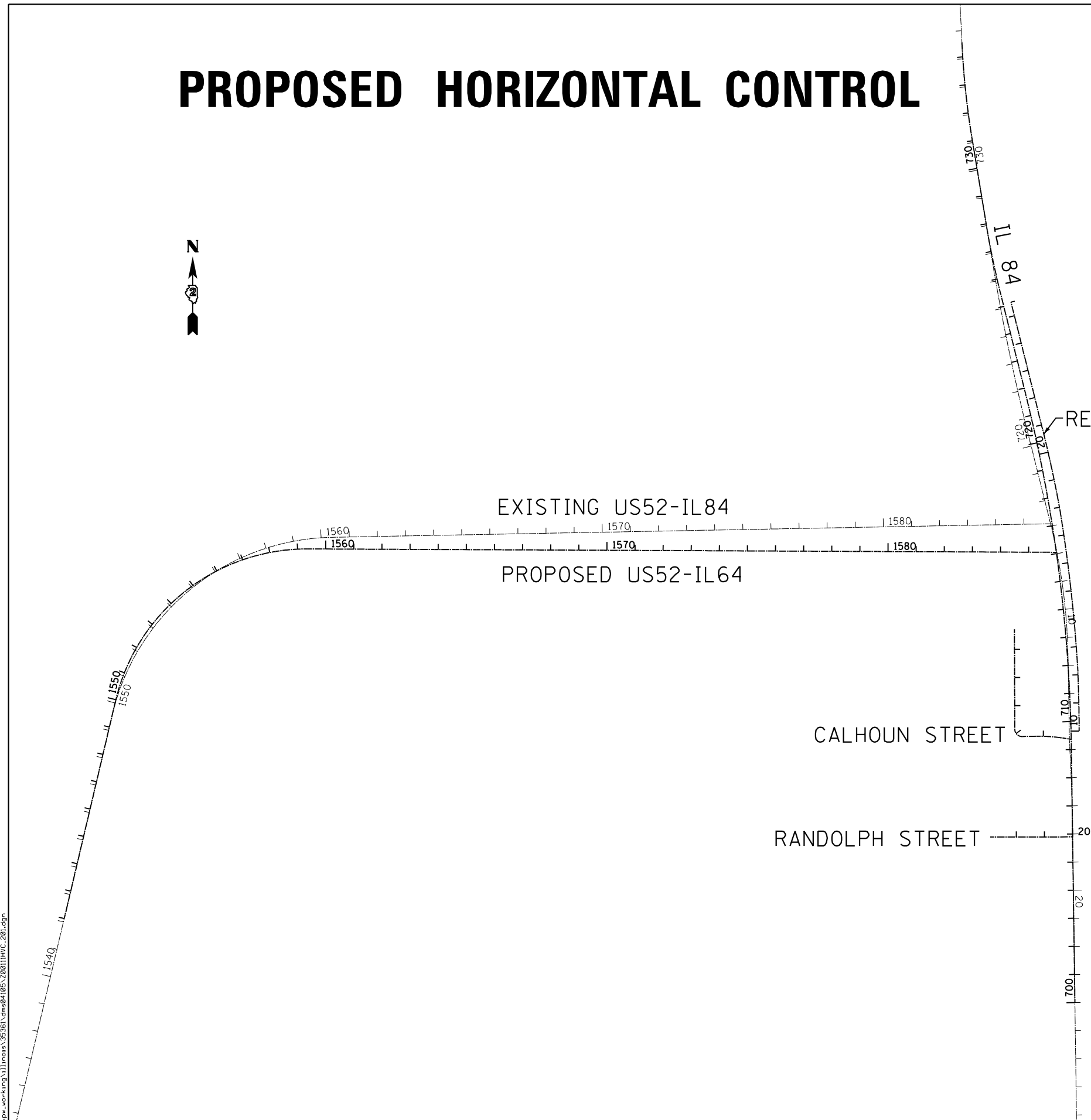
Curve Data

Curve 200
P.L. Station 1555+53.48 N 1,980,453.3789 E 2,295,790.3051
Delta = 76° 59' 19.09" (RT)
Degree = 8° 11' 06.40"
Tangent = 556.6918
Length = 940.5936
Radius = 700.0000
External = 194.3745
Long Chord = 871.4118
Mid. Ord. = 152.1311
P.C. Station 1549+96.79 N 1,979,911.5555 E 2,295,662.5042
P.T. Station 1559+37.38 N 1,980,450.8477 E 2,296,346.9912
C.C. = N 1,979,750.8550 E 2,296,343.8083
Back = 13° 16' 18.78"
Ahead = 90° 15' 37.87"
Chord Bear = 51° 45' 58.33"

Course from PT 200 to 70301 90° 15' 37.87" Dist 2,661.2444

Point 70301 N 1,980,438.7473 E 2,299,008.2080 Sta 1585+98.63

Ending chain PR_US52-IL64 description



FILE NAME = c:\p\work\king\illinois\35361\dm\04105\20011HVC_201.dgn

USER NAME = 35361	DESIGNED - SQ	REVISED -
DRAWN - SQ	REVISOR -	
PLOT SCALE = 400.0000' / in.	CHECKED - FZ	REVISED -
PLOT DATE = 3/20/2015	DATE - 03-12-2015	REVISED -

**STATE OF ILLINOIS
DEPARTMENT OF TRANSPORTATION**

HORIZONTAL AND VERTICAL CONTROL

SCALE: N/A SHEET 1 OF 4 SHEETS STA. TO STA.

F.A.P. RTE.	SECTION	COUNTY	TOTAL SHEETS	SHEET NO.
17	104B-2	CARROLL/JACKSON	528	58
CONTRACT NO. 64G59				
FED. ROAD DIST. NO. ILLINOIS FED. AID PROJECT				

PROPOSED HORIZONTAL CONTROL

PROPOSED IL84

Chain PR_IL84(BR) contains:
70310 CUR 210 CUR 220 CUR 230

Beginning chain PR_IL84(BR) description
Description: Current Pr IL 84 alignment 2014

Point 70310 N 1,978,836.7922 E 2,299,074.1731 Sta 700+00.00

Course from 70310 to PC 210 359° 12' 05.94" Dist 910.0000

Curve Data

Curve 210
P.I. Station 715+47.95 N 1,980,384.5962 E 2,299,052.6048
Delta = 13° 11' 06.05" (LT)
Degree = 1° 02' 16.68"
Tangent = 637.9543
Length = 1,270.2729
Radius = 5,520.0000
External = 36.7424
Long Chord = 1,267.4719
Mid. Ord. = 36.4994
P.C. Station 709+10.00 N 1,979,746.7039 E 2,299,061.4937
P.T. Station 721+80.27 N 1,981,003.6453 E 2,298,898.4495
C.C. = 1,979,669.7915 E 2,293,542.0296
Back = 359° 12' 05.94"
Ahead = 346° 00' 59.89"
Chord Bear = 352° 36' 32.91"

Course from PT 210 to PC 220 346° 00' 59.89" Dist 371.0422

Curve Data

Curve 220
P.I. Station 726+74.38 N 1,981,483.1062 E 2,298,779.0543
Delta = 4° 35' 00.56" (RT)
Degree = 1° 51' 47.80"
Tangent = 123.0610
Length = 245.9907
Radius = 3,075.0000
External = 2.4615
Long Chord = 245.9251
Mid. Ord. = 2.4595
P.C. Station 725+51.32 N 1,981,363.6920 E 2,298,808.7908
P.T. Station 727+97.31 N 1,981,604.5148 E 2,298,758.9555
C.C. = 1,982,106.7356 E 2,301,792.6660
Back = 346° 00' 59.89"
Ahead = 350° 36' 00.44"
Chord Bear = 348° 18' 30.17"

Course from PT 220 to PC 230 350° 36' 00.44" Dist 304.9386

Curve Data

Curve 230 (CURVE IS BEYOND RECONSTRUCTION LIMITS)
P.I. Station 732+77.37 N 1,982,078.1305 E 2,298,680.5500
Delta = 6° 42' 12.82" (RT)
Degree = 1° 54' 58.11"
Tangent = 175.1233
Length = 349.8469
Radius = 2,990.1647
External = 5.1238
Long Chord = 349.6474
Mid. Ord. = 5.1150
P.C. Station 731+02.24 N 1,981,905.3588 E 2,298,709.1518
P.T. Station 734+52.09 N 1,982,253.0599 E 2,298,672.3118
C.C. = 1,982,393.7239 E 2,301,659.1660
Back = 350° 36' 00.44"
Ahead = 357° 18' 13.26"
Chord Bear = 353° 57' 06.85"

Ending chain PR_IL84(BR) description

PROPOSED CALHOUN STREET

Chain PCALHOUN contains:
70320 CUR 240 CUR 250 70321

Beginning chain PCALHOUN description

Point 70320 N 1,980,165.3229 E 2,298,859.1321 Sta 94+28.00

Course from 70320 to PC 240 179° 47' 06.48" Dist 356.0000

Curve Data

Curve 240
P.I. Station 98+10.34 N 1,979,782.9859 E 2,298,860.5659
Delta = 90° 44' 37.06" (LT)
Degree = 220° 22' 06.18"
Tangent = 26.3397
Length = 41.1782
Radius = 26.0000
External = 11.0105
Long Chord = 37.0074
Mid. Ord. = 7.7349
P.C. Station 97+84.00 N 1,979,809.3254 E 2,298,860.4671
P.T. Station 98+25.18 N 1,979,783.4265 E 2,298,886.9019
C.C. = 1,979,809.4229 E 2,298,886.4669
Back = 179° 47' 06.48"
Ahead = 89° 02' 29.42"
Chord Bear = 134° 24' 47.95"

Course from PT 240 to PC 250 89° 02' 29.42" Dist 52.0521

Curve Data

Curve 250
P.I. Station 99+23.43 N 1,979,785.0700 E 2,298,985.1363
Delta = 9° 36' 08.37" (RT)
Degree = 10° 25' 02.69"
Tangent = 46.1960
Length = 92.1757
Radius = 550.0000
External = 1.9367
Long Chord = 92.0679
Mid. Ord. = 1.9299
P.C. Station 98+77.23 N 1,979,784.2973 E 2,298,938.9467
P.T. Station 99+69.41 N 1,979,778.1272 E 2,299,030.8076
C.C. = 1,979,234.3742 E 2,298,948.1472
Back = 89° 02' 29.42"
Ahead = 98° 38' 37.79"
Chord Bear = 93° 50' 33.60"

Course from PT 250 to 70321 98° 38' 37.79" Dist 30.5940

Point 70321 N 1,979,773.5291 E 2,299,061.0541 Sta 100+00.00

Ending chain PCALHOUN description

PROPOSED RANDOLPH STREET

Chain PR_RANDOLPH contains:
70330 70331

Beginning chain PR_RANDOLPH description
Description: Prop. Hor. Alignment

Point 70330 N 1,979,425.8416 E 2,298,772.9580 Sta 197+07.00

Course from 24178 to 24179 89° 54' 02.55" Dist 293.0002

Point 70331 N 1,979,426.3494 E 2,299,065.9578 Sta 200+00.00

Ending chain PR_RANDOLPH description

RETAINING WALL

Chain PR_IL84_RW1 contains:
CUR 260 CUR 270 CUR 280 CUR 290 RW002 RW003

Beginning chain PR_IL84_RW1 description
Description: Pr Retaining Wall alignment 2014

Curve Data

Curve 260
P.I. Station 11+08.44 N 1,979,911.4791 E 2,299,089.0211
Delta = 2° 14' 49.20" (LT)
Degree = 1° 02' 10.45"
Tangent = 108.4352
Length = 216.8427
Radius = 5,529.2249
External = 1.0632
Long Chord = 216.8288
Mid. Ord. = 1.0630
P.C. Station 10+00.00 N 1,979,803.0440 E 2,299,089.2235
P.T. Station 12+16.84 N 1,980,019.8228 E 2,299,084.5674
C.C. = 1,979,792.7219 E 2,293,560.0083
Back = 359° 53' 34.94"
Ahead = 357° 38' 45.74"
Chord Bear = 358° 46' 10.34"

Curve Data

Curve 270
P.I. Station 15+08.31 N 1,980,310.7771 E 2,299,067.2499
Delta = 6° 01' 45.11" (LT)
Degree = 1° 02' 06.84"
Tangent = 291.4692
Length = 582.4003
Radius = 5,534.5800
External = 7.6695
Long Chord = 582.1316
Mid. Ord. = 7.6589
P.C. Station 12+16.84 N 1,980,019.8228 E 2,299,084.5674
P.T. Station 17+99.24 N 1,980,598.3030 E 2,299,019.4678
C.C. = 1,979,690.9898 E 2,293,559.7647
Back = 356° 35' 37.70"
Ahead = 350° 33' 52.59"
Chord Bear = 353° 34' 45.15"

Curve Data

Curve 280
P.I. Station 19+68.66 N 1,980,764.9529 E 2,298,988.9635
Delta = 4° 21' 30.06" (LT)
Degree = 1° 17' 12.79"
Tangent = 169.4187
Length = 338.6740
Radius = 4,452.2800
External = 3.2222
Long Chord = 338.5924
Mid. Ord. = 3.2199
P.C. Station 17+99.24 N 1,980,598.3030 E 2,299,019.4678
P.T. Station 21+37.92 N 1,980,928.8027 E 2,298,945.8829
C.C. = 1,979,796.6564 E 2,294,639.9519
Back = 349° 37' 37.74"
Ahead = 345° 16' 07.68"
Chord Bear = 347° 26' 52.71"

Curve Data

Curve 290
P.I. Station 21+79.96 N 1,980,969.7517 E 2,298,936.3424
Delta = 0° 52' 05.98" (LT)
Degree = 1° 01' 57.43"
Tangent = 42.0457
Length = 84.0898
Radius = 5,548.5827
External = 0.1593
Long Chord = 84.0890
Mid. Ord. = 0.1593
P.C. Station 21+37.92 N 1,980,928.8027 E 2,298,945.8829
P.T. Station 22+22.01 N 1,981,010.5514 E 2,298,926.1825
C.C. = 1,979,669.7909 E 2,293,542.0269
Back = 346° 53' 05.87"
Ahead = 346° 00' 59.89"
Chord Bear = 346° 27' 02.88"

Course from PT 290 to RW002 346° 00' 59.89" Dist 327.9932

Point RW002 N 1,981,328.8248 E 2,298,846.9262 Sta 25+50.00

Course from RW002 to RW003 76° 00' 59.89" Dist 15.0000

Point RW003 N 1,981,332.4494 E 2,298,861.4817 Sta 25+65.00

Ending chain PR_IL84_RW1 description

FILE NAME = c:\pwworking\illinois\35361\dm04105\200111\HC_2002.dgn

USER NAME = 35361	DESIGNED - SQ	REVISED -	STATE OF ILLINOIS DEPARTMENT OF TRANSPORTATION	HORIZONTAL AND VERTICAL CONTROL		F.A.P. RTE.	SECTION	COUNTY	TOTAL SHEETS	SHEET NO.
	DRAWN - SQ	REVISED -		17	104B-2	CARRROLL/JACKSON	528	59		
PLOT SCALE = 200.0000' / in.	CHECKED - FZ	REVISED -		CONTRACT NO. 64G59						
PLOT DATE = 3/20/2015	DATE - 03-12-2015	REVISED -		SCALE: N/A	SHEET 2 OF 4 SHEETS	STA. TO STA.	FED. ROAD DIST. NO.	ILLINOIS FED. AID PROJECT		

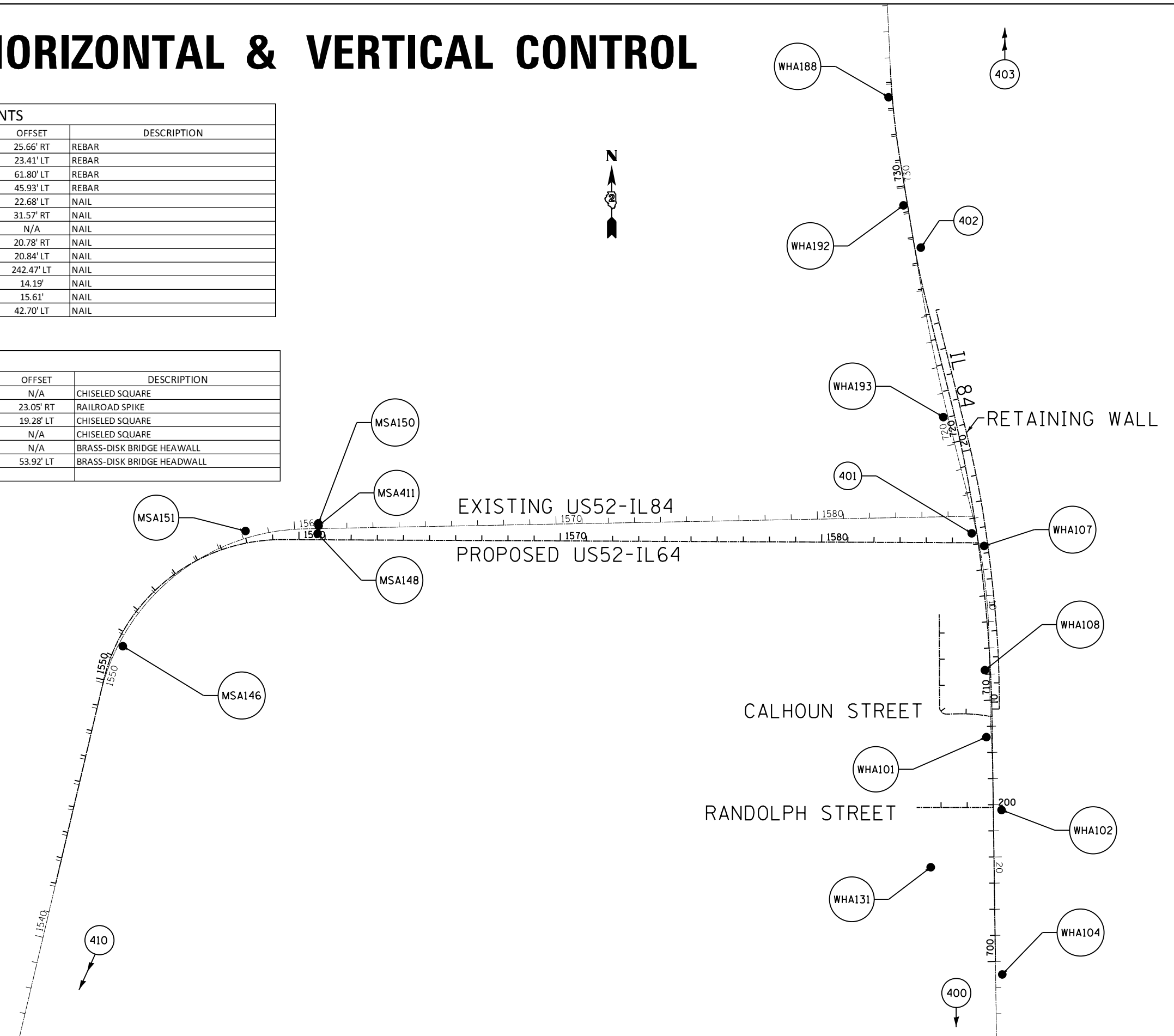
HORIZONTAL & VERTICAL CONTROL

HORIZONTAL CONTROL POINTS

POINT	NORTH	EAST	ELEVATION	CHAIN	STATION	OFFSET	DESCRIPTION
MSA146	1980043.3180	2295736.1850	596.4560	PR_US52-IL64	1551+48.66	25.66' RT	REBAR
MSA148	1980473.6440	2296481.0610	597.8540	PR_US52-IL64	1560+71.35	23.41' LT	REBAR
MSA150	1980512.0280	2296483.6120	597.7170	PR_US52-IL64	1560+73.72	61.80' LT	REBAR
MSA151	1980483.8320	2296205.3970	597.1520	PR_US52-IL64	1558+03.55	45.93' LT	REBAR
WHA101	1979695.1230	2299039.5310	609.9490	PR_IL84(BR)	708+58.73	22.68' LT	NAIL
WHA102	1979416.4050	2299097.6660	605.7760	PR_IL84(BR)	705+79.23	31.57' RT	NAIL
WHA104	1978787.2956	2299100.1777	600.7645	PR_IL84(BR)	N/A	N/A	NAIL
WHA107	1980426.6465	2299030.8786	632.4244	PR_IL84(BR)	715+89.47	20.78' RT	NAIL
WHA108	1979951.4528	2299033.9750	617.1404	PR_IL84(BR)	711+15.94	20.84' LT	NAIL
WHA131	1979197.2313	2298826.6610	593.2826	PR_IL84(BR)	703+63.85	242.47' LT	NAIL
WHA188	1982143.4160	2298665.2550	614.6940	PR_IL84(BR)	733+43.39	14.19'	NAIL
WHA192	1981729.6402	2298722.4191	611.8493	PR_IL84(BR)	729+26.72	15.61'	NAIL
WHA193	1980919.7233	2298874.8077	625.1938	PR_IL84(BR)	721+03.96	42.70' LT	NAIL

BENCH MARKS

POINT	NORTH	EAST	ELEVATION	CHAIN	STATION	OFFSET	DESCRIPTION
403	1983030.2411	2298688.4104	604.2110	PR_IL84(BR)	N/A	N/A	CHISELED SQUARE
402	1981568.0477	2298788.6363	616.0100	PR_IL84(BR)	727+56.17	23.05' RT	RAILROAD SPIKE
401	1980474.9103	2298983.5144	634.8192	PR_IL84(BR)	716+43.94	19.28' LT	CHISELED SQUARE
400	1977992.9799	2299044.2789	596.7927	PR_IL84(BR)	N/A	N/A	CHISELED SQUARE
410	1970157.5580	2294045.9430	600.1000	PR_US52-IL64	N/A	N/A	BRASS-DISK BRIDGE HEAWALL
MSA411	1980504.1370	2296484.9660	601.2400	PR_US52-IL64	1560+75.11	53.92' LT	BRASS-DISK BRIDGE HEADWALL



NOTE:
THE HORIZONTAL DATUM USED IS STATE PLANE COORDINATES.
THE VERTICAL DATUM USED IS NAVD 1988.

FILE NAME = c:\p\work\king\illinois\35361\dm04105\20011HVC_203.dgn

USER NAME = 35361	DESIGNED - SQ	REVISED -
	DRAWN - SQ	REVISED -
PLOT SCALE = 400.0000' / in.	CHECKED - FZ	REVISED -
PLOT DATE = 3/20/2015	DATE - 03-12-2015	REVISED -

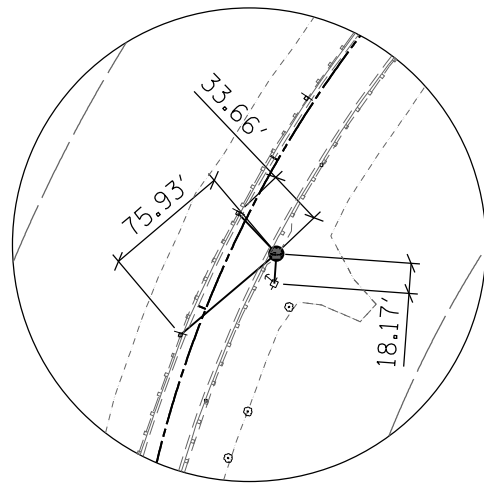
STATE OF ILLINOIS
DEPARTMENT OF TRANSPORTATION

HORIZONTAL AND VERTICAL CONTROL

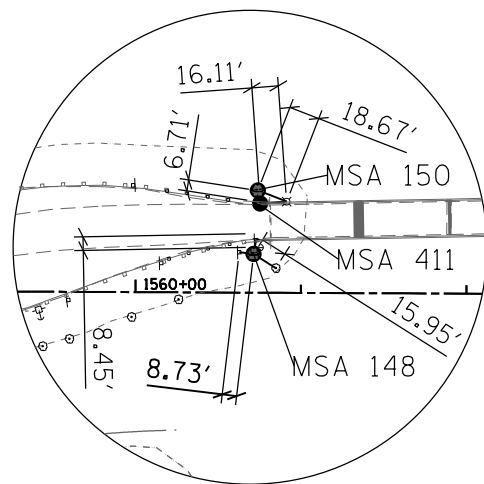
SCALE: N/A SHEET 3 OF 4 SHEETS STA. TO STA.

F.A.P. RTE.	SECTION	COUNTY	TOTAL SHEETS	SHEET NO.
17	104B-2	CARROLL/JACKSON	528	60
CONTRACT NO. 64G59				
FED. ROAD DIST. NO. ILLINOIS FED. AID PROJECT				

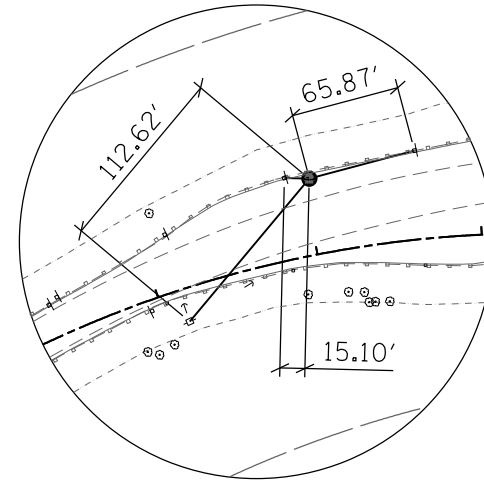
HORIZONTAL & VERTICAL CONTROL



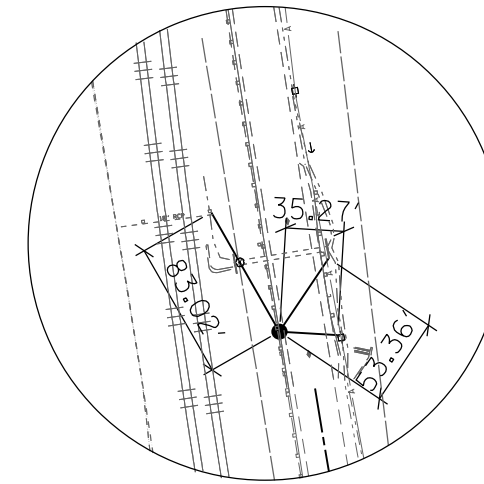
HORIZONTAL CONTROL
POINT MSA 146



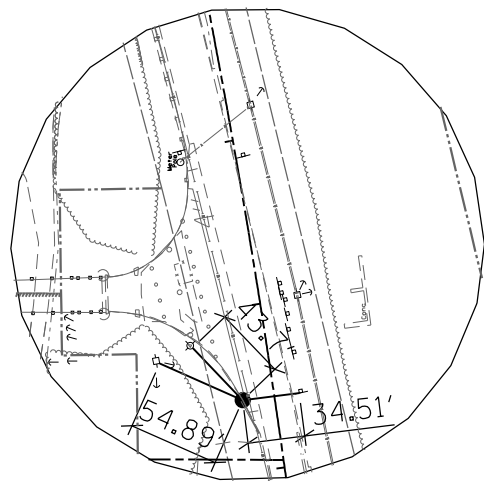
HORIZONTAL CONTROL
POINT MSA 150, 411, 148



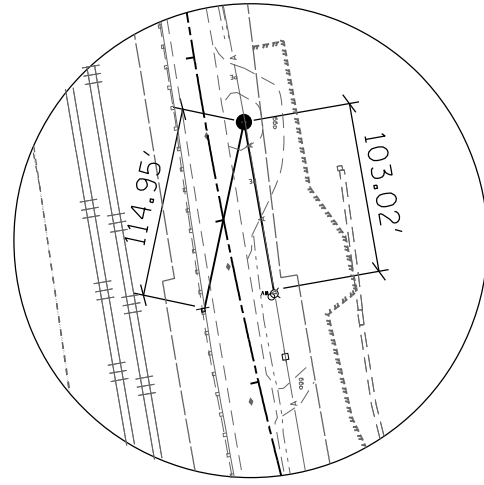
HORIZONTAL CONTROL
POINT MSA 151



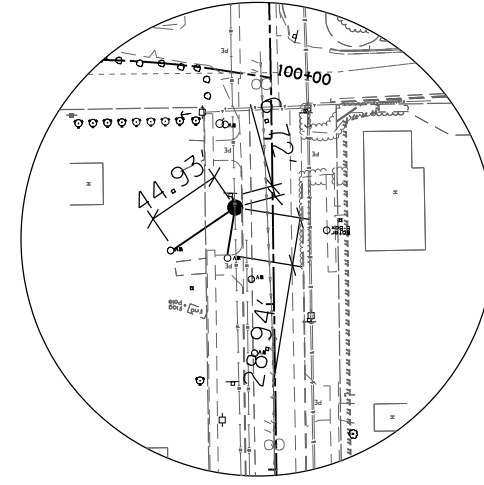
HORIZONTAL CONTROL
POINT WHA 192



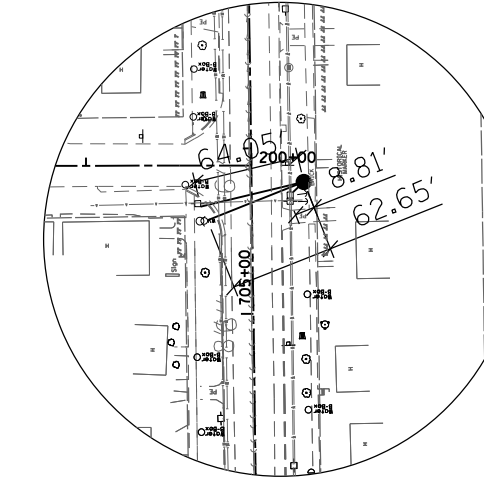
HORIZONTAL CONTROL
POINT BM 401



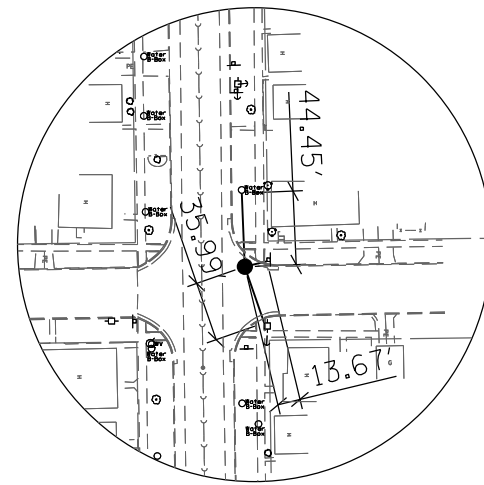
HORIZONTAL CONTROL
POINT BM 402



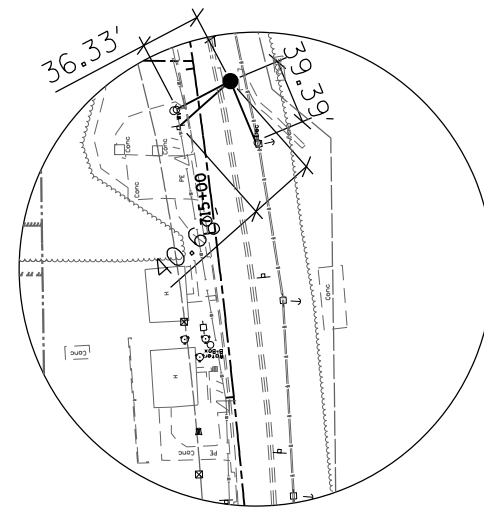
HORIZONTAL CONTROL
POINT WHA101



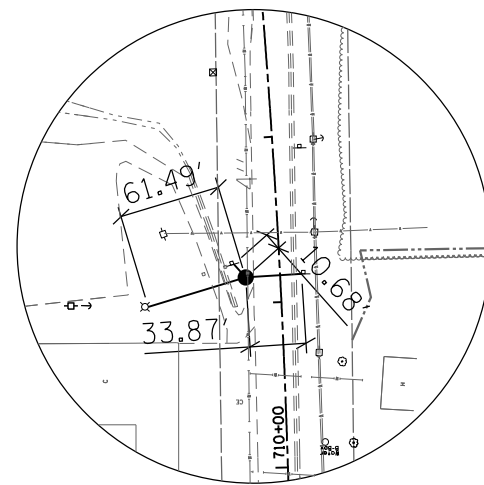
HORIZONTAL CONTROL
POINT WHA102



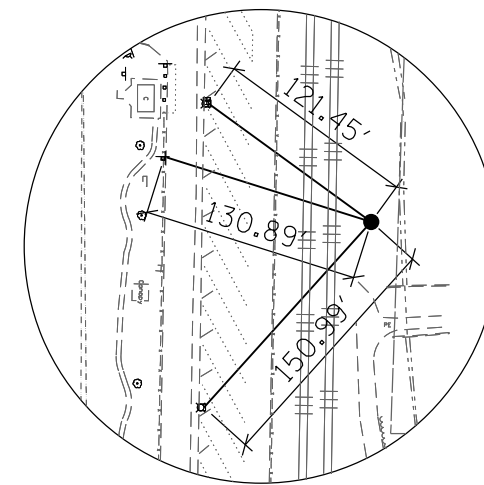
HORIZONTAL CONTROL
POINT WHA104



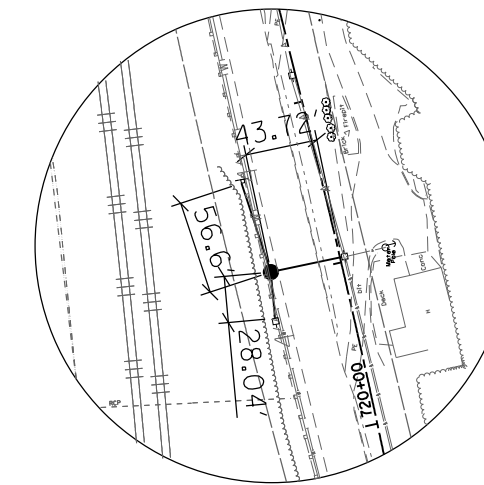
HORIZONTAL CONTROL
POINT WHA107



HORIZONTAL CONTROL
POINT WHA108



HORIZONTAL CONTROL
POINT WHA131



HORIZONTAL CONTROL
POINT WHA193

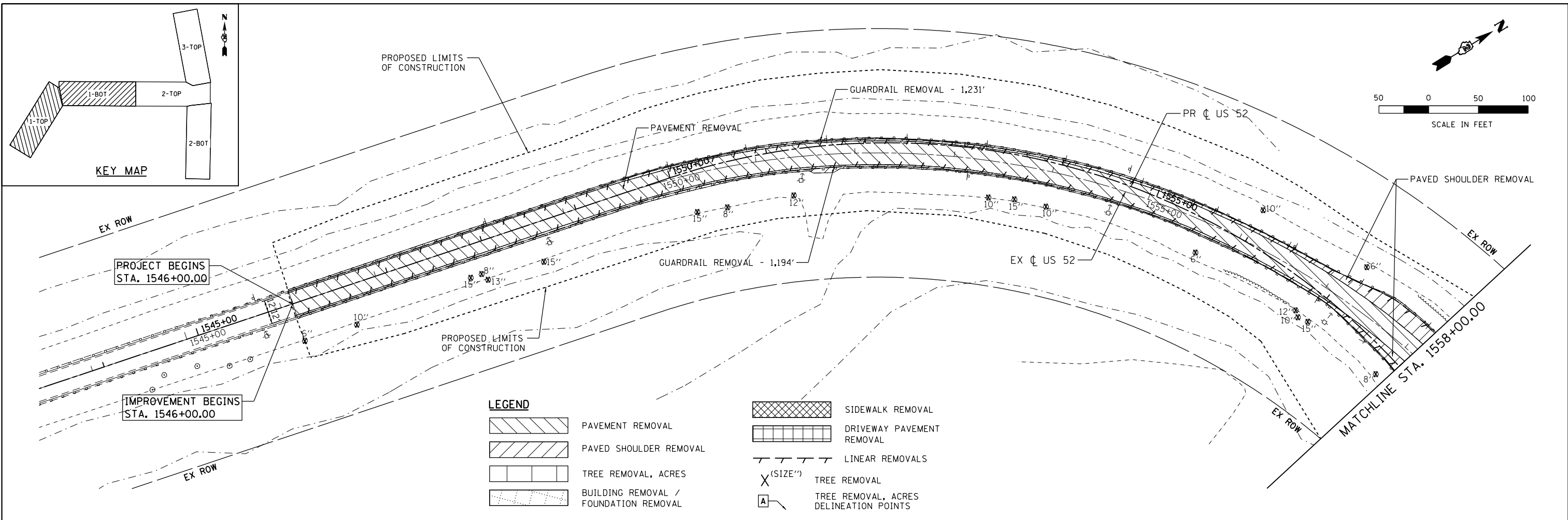
FILE NAME = c:\p\work\king\illinois\35361\dm04105\20011HVC_204.dgn

USER NAME = 35361	DESIGNED - SQ	REVISED -
	DRAWN - SQ	REVISED -
PLOT SCALE = 116.0000' / in.	CHECKED - FZ	REVISED -
PLOT DATE = 3/20/2015	DATE - 03-12-2015	REVISED -

STATE OF ILLINOIS
DEPARTMENT OF TRANSPORTATION

HORIZONTAL AND VERTICAL CONTROL			
SCALE: N/A	SHEET 4	OF 4 SHEETS	STA. TO STA.

F.A.P. RTE.	SECTION	COUNTY	TOTAL SHEETS	SHEET NO.
17	104B-2	CARROLL/JACKSON	528	61
CONTRACT NO. 64G59				
FED. ROAD DIST. NO. ILLINOIS FED. AID PROJECT				



LEGEND

	PAVEMENT REMOVAL		SIDEWALK REMOVAL
	PAVED SHOULDER REMOVAL		DRIVEWAY PAVEMENT REMOVAL
	TREE REMOVAL, ACRES		LINEAR REMOVALS
	BUILDING REMOVAL / FOUNDATION REMOVAL		TREE REMOVAL (SIZE)"
			TREE REMOVAL, ACRES DELINEATION POINTS

TREE REMOVAL, ACRES

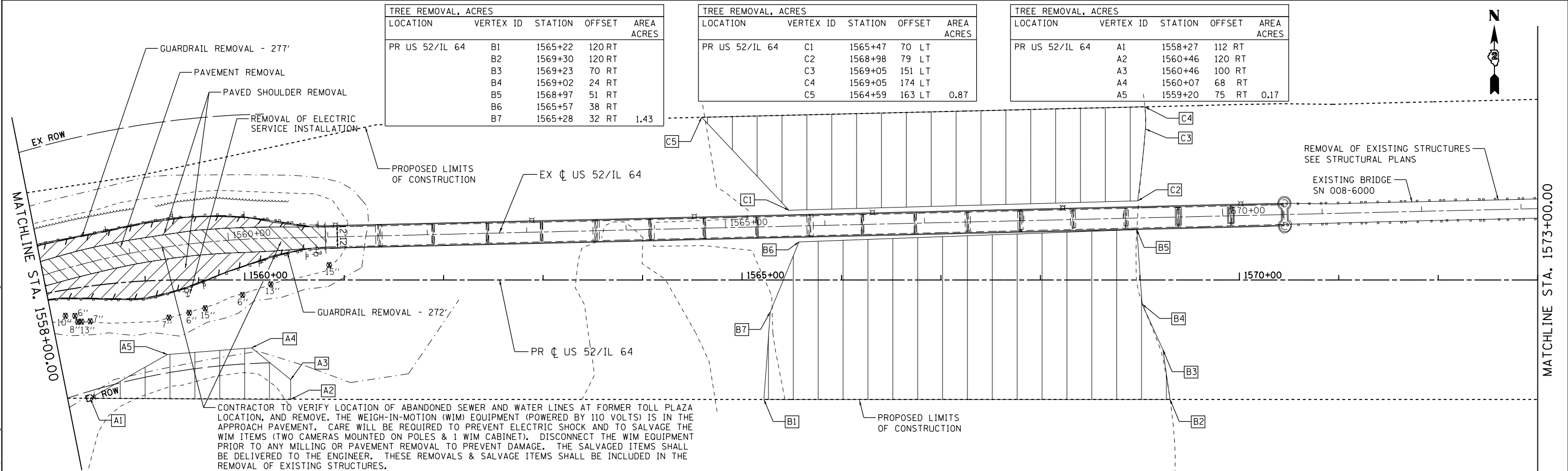
LOCATION	VERTEX ID	STATION	OFFSET	AREA ACRES
PR US 52/IL 64	B1	1565+22	120 RT	
	B2	1569+30	120 RT	
	B3	1569+23	70 RT	
	B4	1569+02	24 RT	
	B5	1568+97	51 RT	
	B6	1565+57	38 RT	
	B7	1565+28	32 RT	1.43

TREE REMOVAL, ACRES

LOCATION	VERTEX ID	STATION	OFFSET	AREA ACRES
PR US 52/IL 64	C1	1565+47	70 LT	
	C2	1568+98	79 LT	
	C3	1569+05	151 LT	
	C4	1569+05	174 LT	
	C5	1564+59	163 LT	0.87

TREE REMOVAL, ACRES

LOCATION	VERTEX ID	STATION	OFFSET	AREA ACRES
PR US 52/IL 64	A1	1558+27	112 RT	
	A2	1560+46	120 RT	
	A3	1560+46	100 RT	
	A4	1560+07	68 RT	
	A5	1559+20	75 RT	0.17



USER NAME = 35361	DESIGNED - JB	REVISED -
DRAWN - JB	REVISIONS -	
PLOT SCALE = 100.0000' / 1" =	CHECKED - FZ	REVISED -
PLOT DATE = 3/20/2015	DATE - 03-12-2015	REVISED -

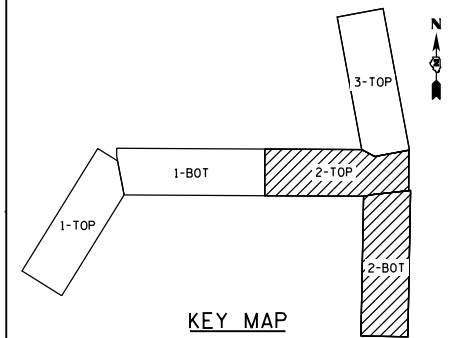
**STATE OF ILLINOIS
DEPARTMENT OF TRANSPORTATION**

**EXISTING PLAN AND REMOVALS
US 52 /IL 64**

SCALE: 1" = 50' SHEET 1 OF 3 SHEETS STA. 1544+00 TO STA. 1573+00

F.A.P. RTE.	SECTION	COUNTY	TOTAL SHEETS	SHEET NO.
17	104B-2	CARROLL/JACKSON	528	62
CONTRACT NO. 64G59				
FED. ROAD DIST. NO. ILLINOIS FED. AID PROJECT				

FILE NAME = c:\p\work\king\illinois\35361\dm\04105\20011REM_2201.dgn



TREE REMOVAL, ACRES				
LOCATION	VERTEX ID	STATION	OFFSET	AREA ACRES
PR US 52/IL 64	D1	1584+63	120 RT	
	D2	1585+93	118 RT	
	D3	1585+90	106 RT	
	D4	1585+38	71 RT	
	D5	1585+30	50 RT	
	D6	1585+52	24 RT	
	D7	1585+34	57 RT	
	D8	1585+14	81 RT	
	D9	1584+87	61 RT	
	D10	1584+56	64 RT	
	D11	1584+64	30 RT	0.37

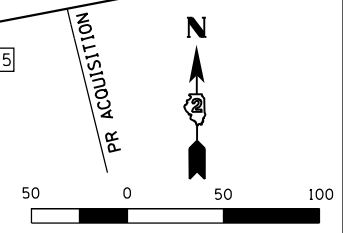
TREE REMOVAL, ACRES				
LOCATION	VERTEX ID	STATION	OFFSET	AREA ACRES
PR US 52/IL 64	E1	1584+81	133 LT	
	E2	1585+18	123 LT	
	E3	1585+22	185 LT	
	E4	1585+12	233 LT	
	E5	1584+72	226 LT	
	E6	1584+80	173 LT	
	E7	1584+60	172 LT	
	E8	1584+60	163 LT	0.11

TREE REMOVAL, ACRES				
LOCATION	VERTEX ID	STATION	OFFSET	AREA ACRES
PR US 52/IL 64/IL 84	F1	716+00	50 RT	
	F2	716+53	46 RT	
	F3	717+50	44 RT	
	F4	718+50	36 RT	
	F5	718+50	52 RT	
	F6	716+00	53 RT	0.06

LEGEND

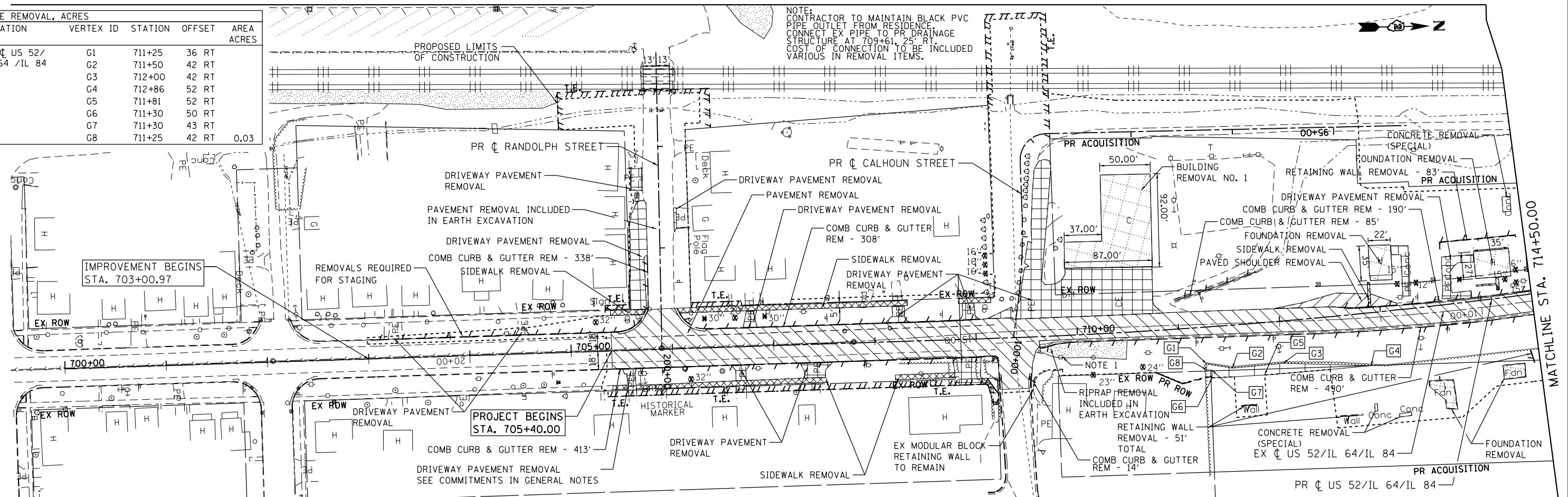
- PAVEMENT REMOVAL
- PAVED SHOULDER REMOVAL
- TREE REMOVAL, ACRES
- BUILDING REMOVAL / FOUNDATION REMOVAL
- SIDEWALK REMOVAL
- DRIVEWAY PAVEMENT REMOVAL
- LINEAR REMOVALS
- TREE REMOVAL (SIZE")
- TREE REMOVAL, ACRES DELINEATION POINTS

MATCHLINE STA. 1573+00.00



TREE REMOVAL, ACRES				
LOCATION	VERTEX ID	STATION	OFFSET	AREA ACRES
PR US 52/IL 64 /IL 84	G1	711+25	36 RT	
	G2	711+50	42 RT	
	G3	712+00	42 RT	
	G4	712+86	52 RT	
	G5	711+81	52 RT	
	G6	711+30	50 RT	
	G7	711+30	43 RT	
	G8	711+25	42 RT	0.03

NOTE: CONTRACTOR TO MAINTAIN BLACK PVC PIPE OUTLET FROM RESIDENCE. CONNECT EX PIPE TO PR DRAINAGE STRUCTURE AT 709+61.25' RT. COST OF CONNECTION TO BE INCLUDED VARIOUS IN REMOVAL ITEMS.



MATCHLINE STA. 714+50.00

USER NAME = 35361	DESIGNED - JB	REVISED -
	DRAWN - JB	REVISED -
PLOT SCALE = 100.0000' / in.	CHECKED - FZ	REVISED -
PLOT DATE = 3/20/2015	DATE - 03-12-2015	REVISED -

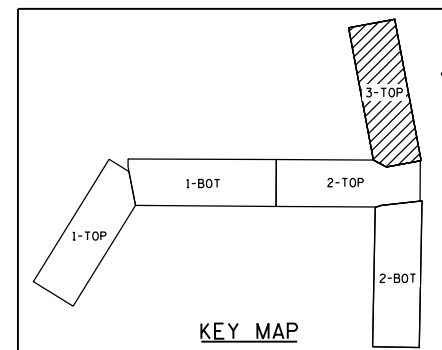
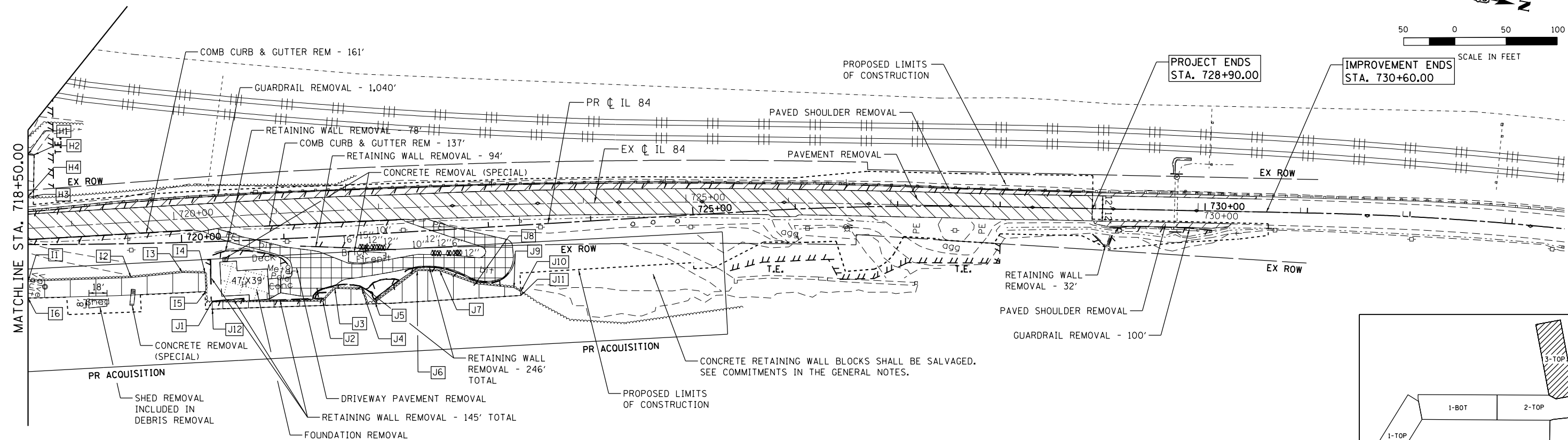
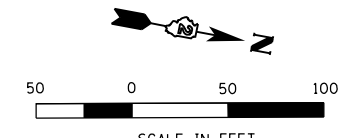
**STATE OF ILLINOIS
DEPARTMENT OF TRANSPORTATION**

**EXISTING PLAN AND REMOVALS
US 52 /IL 64 AND IL 84**

SCALE: 1" = 50' SHEET 2 OF 3 SHEETS STA. 705+00 TO STA. 718+50

F.A.P. RTE. 17	SECTION 104B-2	COUNTY CARROLL/JACKSON	TOTAL SHEETS 528	SHEET NO. 63
FED. ROAD DIST. NO. ILLINOIS FED. AID PROJECT			CONTRACT NO. 64G59	

FILE NAME = c:\pwork\king\illinois\35361\cma04105\20011REM_2012.dgn



TREE REMOVAL, ACRES				
LOCATION	VERTEX ID	STATION	OFFSET	AREA ACRES
PR \odot IL 84	J1	720+28	59 RT	0.10
	J2	721+35	63 RT	
	J3	721+47	51 RT	
	J4	721+73	53 RT	
	J5	721+85	67 RT	
	J6	722+28	38 RT	
	J7	722+50	40 RT	
	J8	722+84	54 RT	
	J9	723+21	60 RT	
	J10	723+28	65 RT	
	J11	723+28	68 RT	
	J12	720+28	66 RT	

TREE REMOVAL, ACRES				
LOCATION	VERTEX ID	STATION	OFFSET	AREA ACRES
PR \odot IL 84	H1	718+50	88 LT	0.005
	H2	718+56	88 LT	
	H3	718+56	47 LT	
	H4	718+50	47 LT	
PR \odot IL 84	I1	718+50	36 RT	0.07
	I2	719+50	33 RT	
	I3	720+00	29 RT	
	I4	720+22	30 RT	
	I5	720+22	49 RT	
	I6	718+50	52 RT	
	I16	718+50	52 RT	

LEGEND	
	PAVEMENT REMOVAL
	PAVED SHOULDER REMOVAL
	TREE REMOVAL, ACRES
	BUILDING REMOVAL / FOUNDATION REMOVAL
	SIDWALK REMOVAL
	DRIVEWAY PAVEMENT REMOVAL
	LINEAR REMOVALS
	(SIZE") TREE REMOVAL
	TREE REMOVAL, ACRES DELINEATION POINTS

USER NAME = 35361	DESIGNED - JB	REVISED -
PLOT SCALE = 100.0000' / 1"	DRAWN - JB	REVISED -
PLOT DATE = 3/20/2015	CHECKED - FZ	REVISED -
	DATE - 03-12-2015	REVISED -

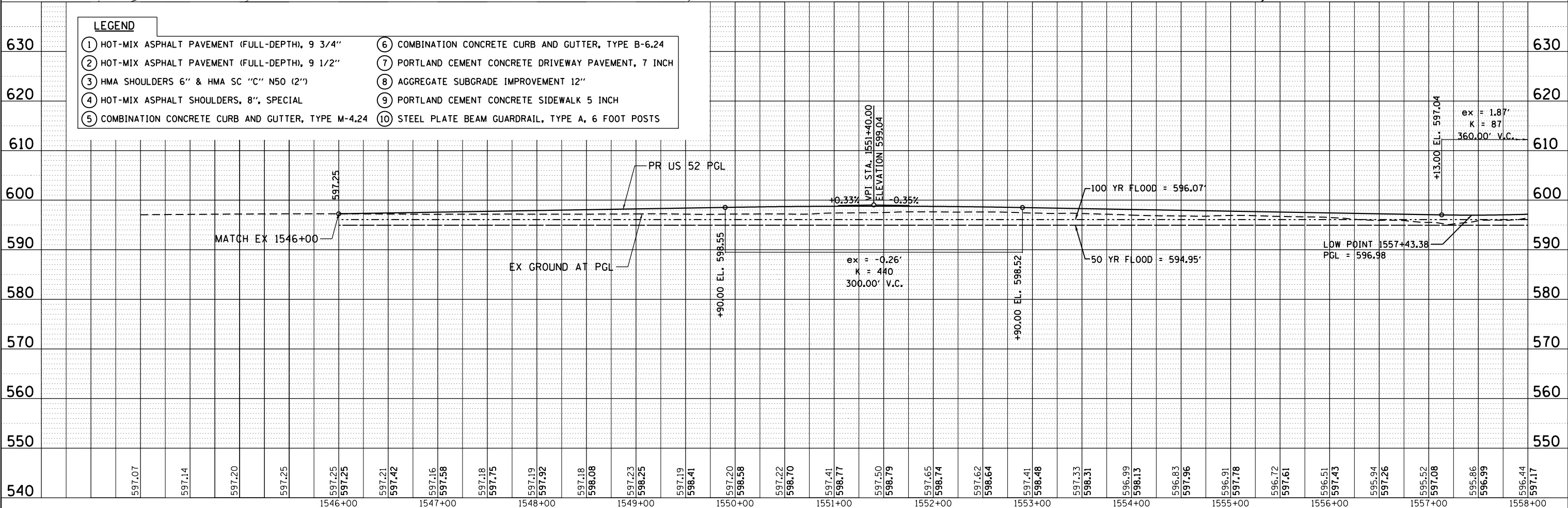
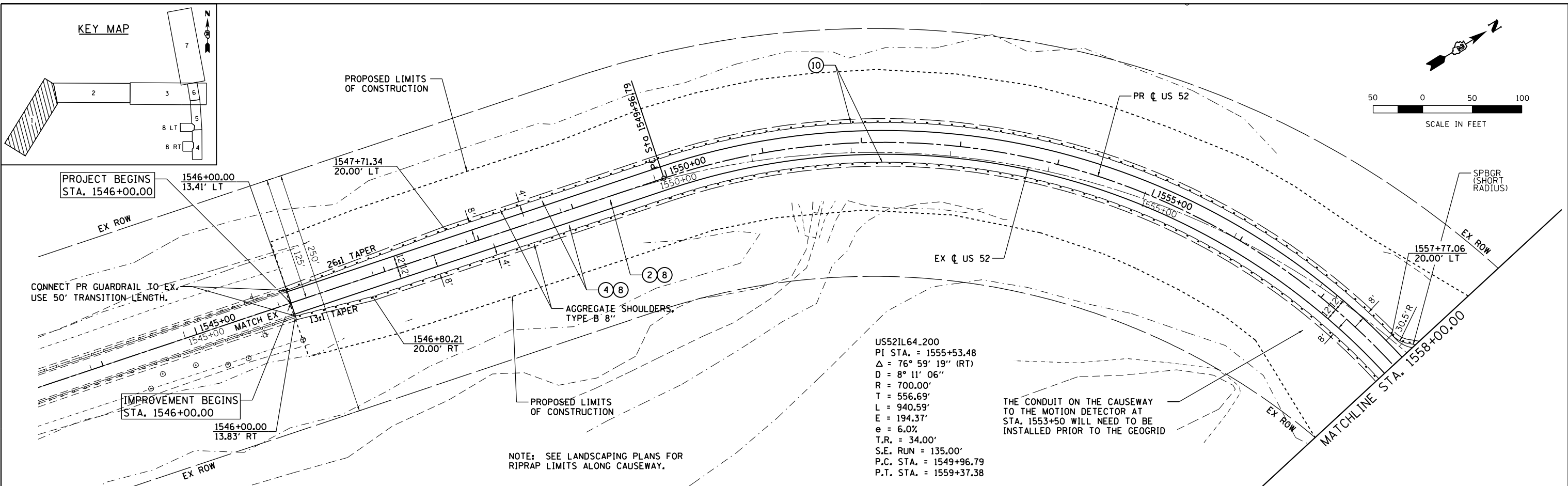
**STATE OF ILLINOIS
DEPARTMENT OF TRANSPORTATION**

**EXISTING PLAN AND REMOVALS
IL 84**

SCALE: 1" = 50' SHEET 3 OF 3 SHEETS STA. 718+50 TO STA. 730+00

F.A.P. RTE.	SECTION	COUNTY	TOTAL SHEETS	SHEET NO.
17	104B-2	CARROLL/JACKSON	528	64
CONTRACT NO. 64G59				
FED. ROAD DIST. NO. ILLINOIS FED. AID PROJECT				

FILE NAME = c:\p\work\king\illinois\35361\dm\04105\20011REM_203.dgn



- LEGEND**
- ① HOT-MIX ASPHALT PAVEMENT (FULL-DEPTH), 9 3/4"
 - ② HOT-MIX ASPHALT PAVEMENT (FULL-DEPTH), 9 1/2"
 - ③ HMA SHOULDERS 6" & HMA SC "C" N50 (2")
 - ④ HOT-MIX ASPHALT SHOULDERS, 8", SPECIAL
 - ⑤ COMBINATION CONCRETE CURB AND GUTTER, TYPE M-4.24
 - ⑥ COMBINATION CONCRETE CURB AND GUTTER, TYPE B-6.24
 - ⑦ PORTLAND CEMENT CONCRETE DRIVEWAY PAVEMENT, 7 INCH
 - ⑧ AGGREGATE SUBGRADE IMPROVEMENT 12"
 - ⑨ PORTLAND CEMENT CONCRETE SIDEWALK 5 INCH
 - ⑩ STEEL PLATE BEAM GUARDRAIL, TYPE A, 6 FOOT POSTS

PLAN

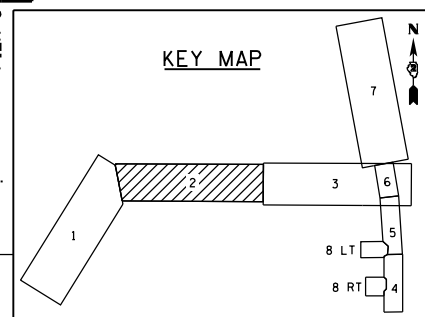
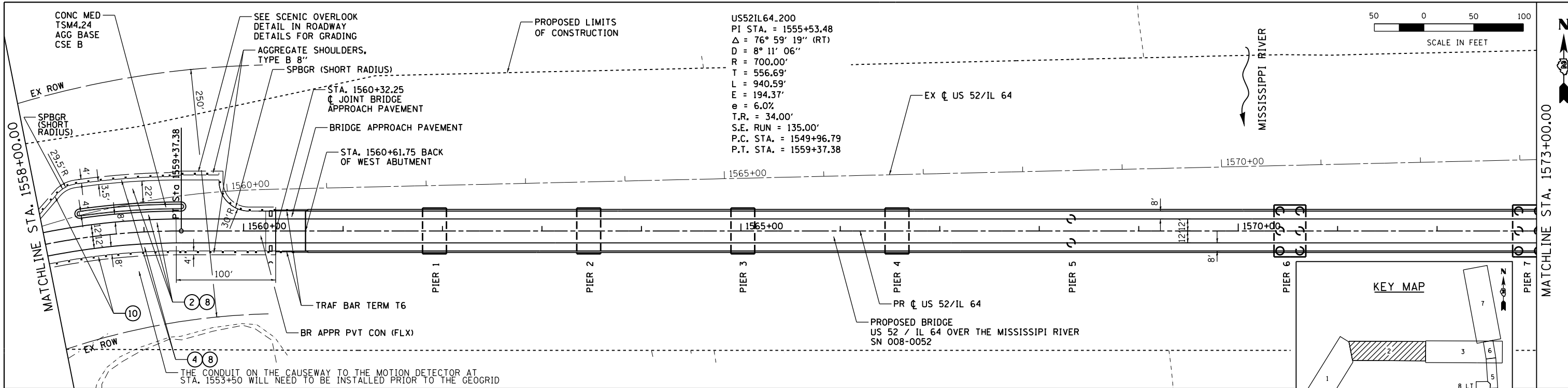
DATE	
BY	
SURVEYED	
PLOTTED	
ALIGNMENT CHECKED	
AS BUILT FILE NAME	
NOTE BOOK NO.	

PROFILE

DATE	
BY	
SURVEYED	
PLOTTED	
GRADES CHECKED	
STRUCTURE NOTATIONS CHECKED	
NOTE BOOK NO.	

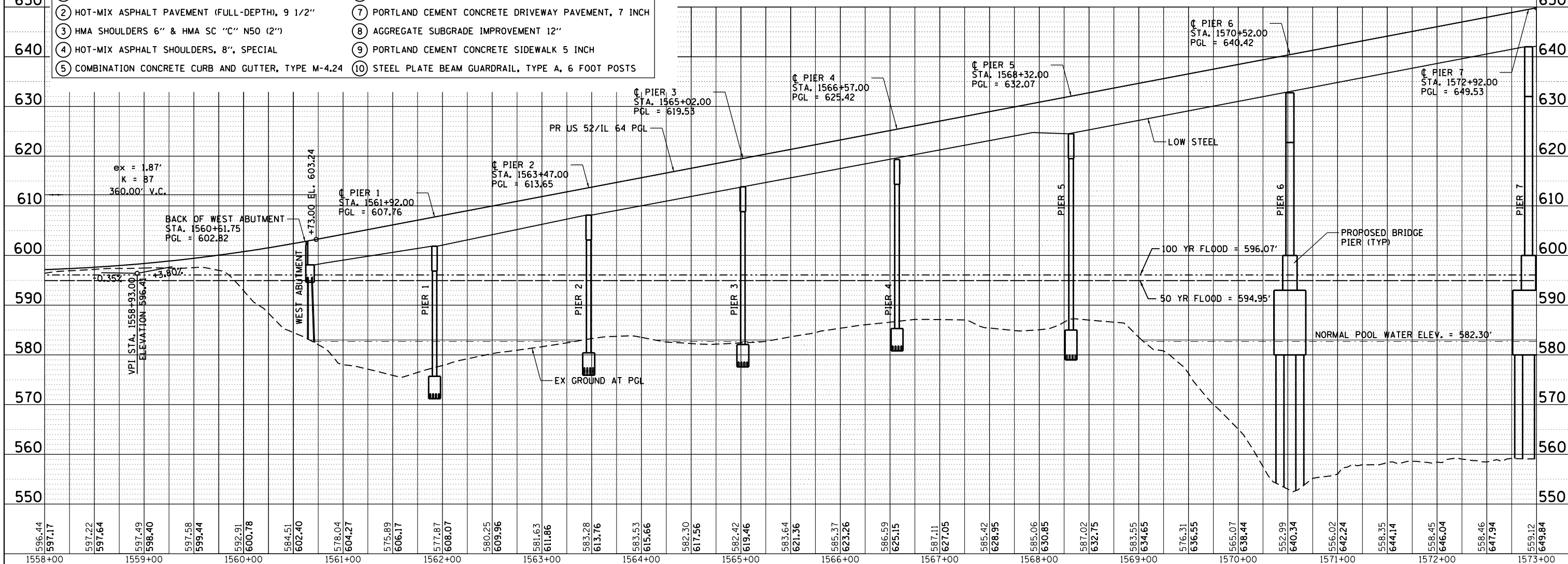
PLAN	SURVEYED	BY	DATE
	PLOTTED		
	ALIGNED		
	CHECKED		
	FILED		
	NO.		

PROFILE	SURVEYED	BY	DATE
	PLOTTED		
	GRADES		
	CHECKED		
	STRUCTURE		
	NOTATIONS		
	CPAD		
	NO.		



LEGEND

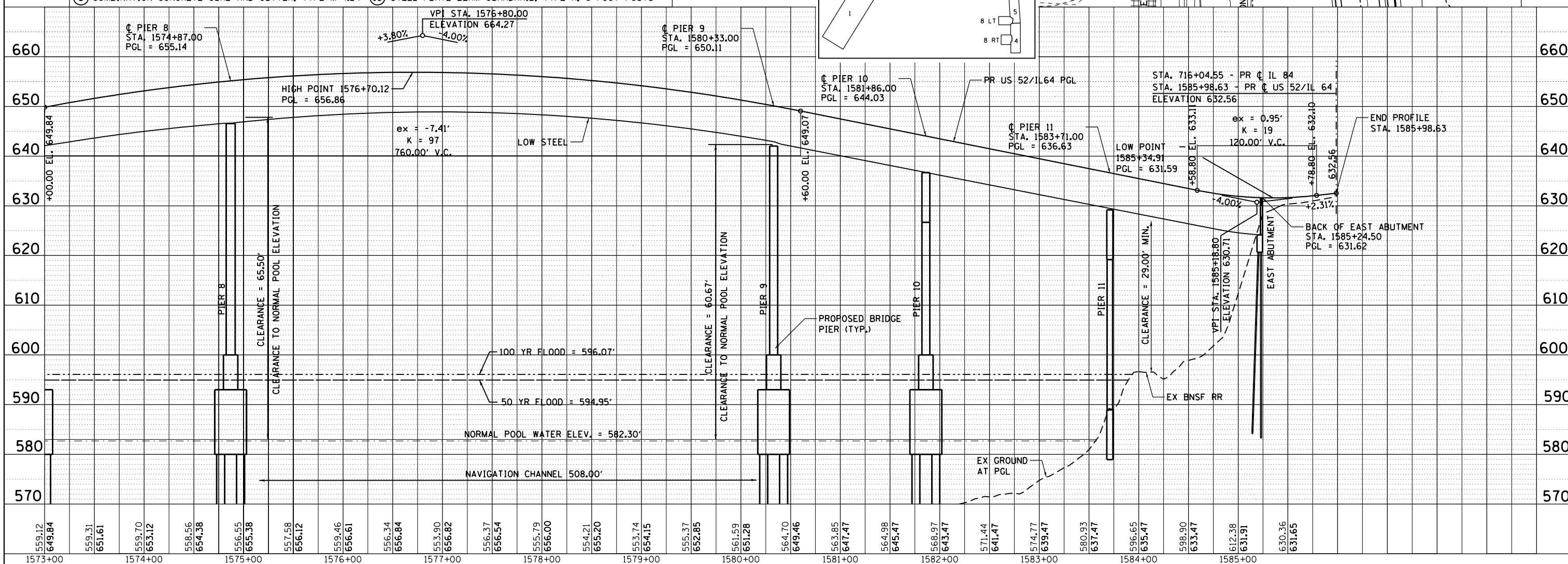
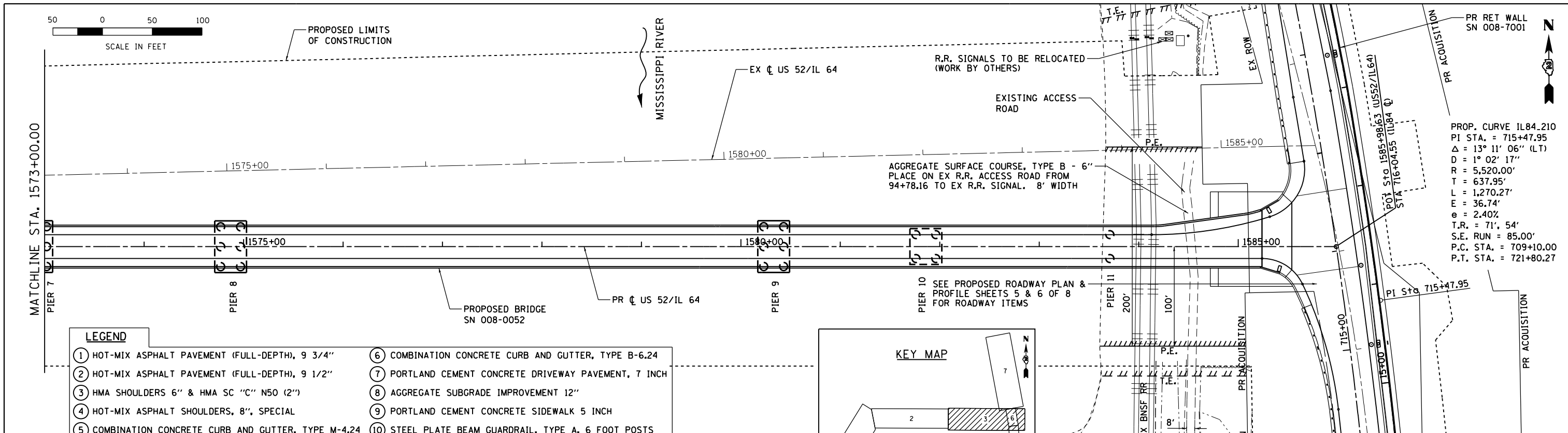
① HOT-MIX ASPHALT PAVEMENT (FULL-DEPTH), 9 3/4"	⑥ COMBINATION CONCRETE CURB AND GUTTER, TYPE B-6.24
② HOT-MIX ASPHALT PAVEMENT (FULL-DEPTH), 9 1/2"	⑦ PORTLAND CEMENT CONCRETE DRIVEWAY PAVEMENT, 7 INCH
③ HMA SHOULDERS 6" & HMA SC "C" N50 (2")	⑧ AGGREGATE SUBGRADE IMPROVEMENT 12"
④ HOT-MIX ASPHALT SHOULDERS, 8", SPECIAL	⑨ PORTLAND CEMENT CONCRETE SIDEWALK 5 INCH
⑤ COMBINATION CONCRETE CURB AND GUTTER, TYPE M-4.24	⑩ STEEL PLATE BEAM GUARDRAIL, TYPE A, 6 FOOT POSTS



FILE NAME = 200111PLN.202.dgn	USER NAME = 35361	DESIGNED - JB	REVISED -	STATE OF ILLINOIS DEPARTMENT OF TRANSPORTATION	PROPOSED ROADWAY PLAN AND PROFILE US 52 / IL 64	F.A.P. RTE. = 17	SECTION = 104B-2	COUNTY = CARROLL/JACKSON	TOTAL SHEETS = 528	SHEET NO. = 66	
Default	PLOT SCALE = 100.0000' / 1"	CHECKED - JC	REVISED -			SCALE: 1" = 50'	SHEET 2 OF 8 SHEETS	STA. 1558+00 TO STA. 1573+00	CONTRACT NO. 64G59		
	PLOT DATE = 3/20/2015	DATE = 03-12-2015	REVISED -			FED. ROAD DIST. NO. ILLINOIS FED. AID PROJECT					

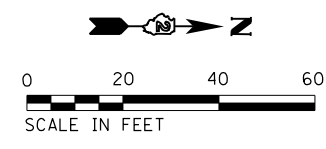
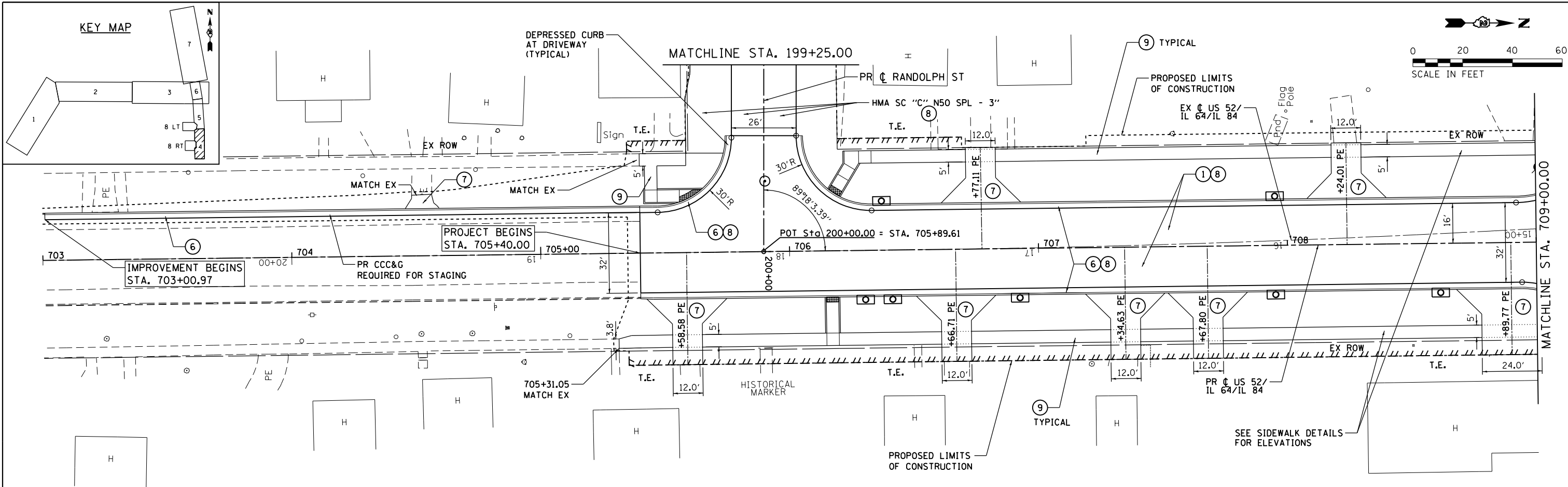
PLAN	SURVEYED	BY	DATE
	PLOTTED		
	ALIGNED		
	CHECKED		
	FILED		
	NO.		

PROFILE	SURVEYED	BY	DATE
	PLOTTED		
	GRADES		
	CHECKED		
	STRUCTURE		
	NOTATIONS		
	CHKD		
	NO.		



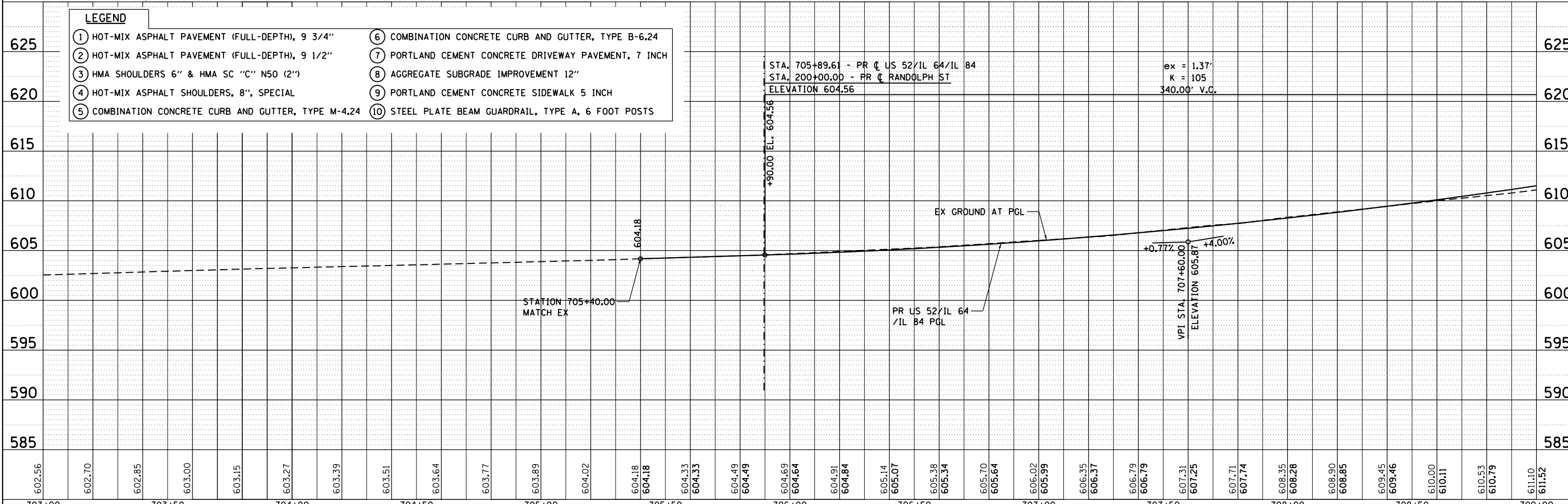
PLAN	SURVEYED	BY	DATE
	PLOTTED		
	ALIGNED		
	CHECKED		
	FILED		
	NO.		

PROFILE	SURVEYED	BY	DATE
	PLOTTED		
	GRADES		
	CHECKED		
	STRUCTURE		
	NOTATIONS		
	CPAD		
	NO.		



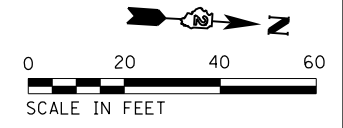
LEGEND

- ① HOT-MIX ASPHALT PAVEMENT (FULL-DEPTH), 9 3/4"
- ② HOT-MIX ASPHALT PAVEMENT (FULL-DEPTH), 9 1/2"
- ③ HMA SHOULDERS 6" & HMA SC "C" N50 (2")
- ④ HOT-MIX ASPHALT SHOULDERS, 8", SPECIAL
- ⑤ COMBINATION CONCRETE CURB AND GUTTER, TYPE M-4.24
- ⑥ COMBINATION CONCRETE CURB AND GUTTER, TYPE B-6.24
- ⑦ PORTLAND CEMENT CONCRETE DRIVEWAY PAVEMENT, 7 INCH
- ⑧ AGGREGATE SUBGRADE IMPROVEMENT 12"
- ⑨ PORTLAND CEMENT CONCRETE SIDEWALK 5 INCH
- ⑩ STEEL PLATE BEAM GUARDRAIL, TYPE A, 6 FOOT POSTS

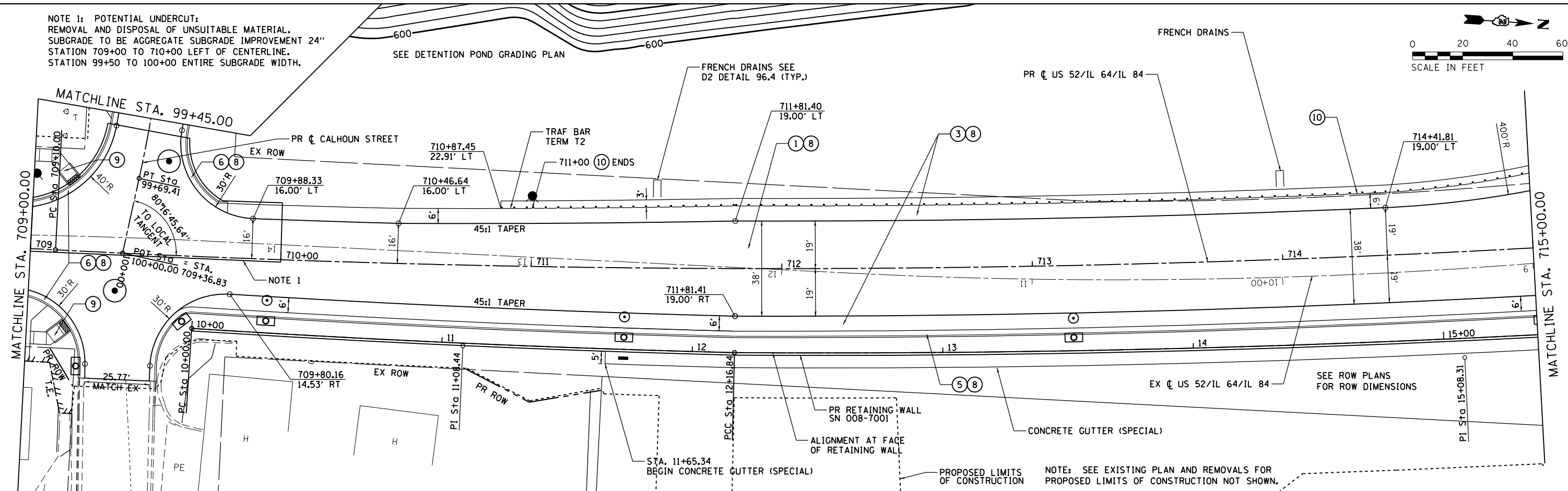


FILE NAME = 200111PLN.204.dgn	USER NAME = 35361	DESIGNED - JB	REVISD -	STATE OF ILLINOIS DEPARTMENT OF TRANSPORTATION	PROPOSED ROADWAY PLAN AND PROFILE US 52 /IL 64/IL 84			F.A.P. RTE. 17	SECTION 104B-2	COUNTY CARROLL/JACKSON	TOTAL SHEETS 528	SHEET NO. 68
Default	PLOT SCALE = 48.0000' / in.	CHECKED - JC	REVISD -		SCALE: 1" = 20'	SHEET 4	OF 8 SHEETS	STA. 705+40	TO STA. 709+00	CONTRACT NO. 64G59		
	PLOT DATE = 3/20/2015	DATE - 03-12-2015	REVISD -		FED. ROAD DIST. NO. ILLINOIS FED. AID PROJECT							

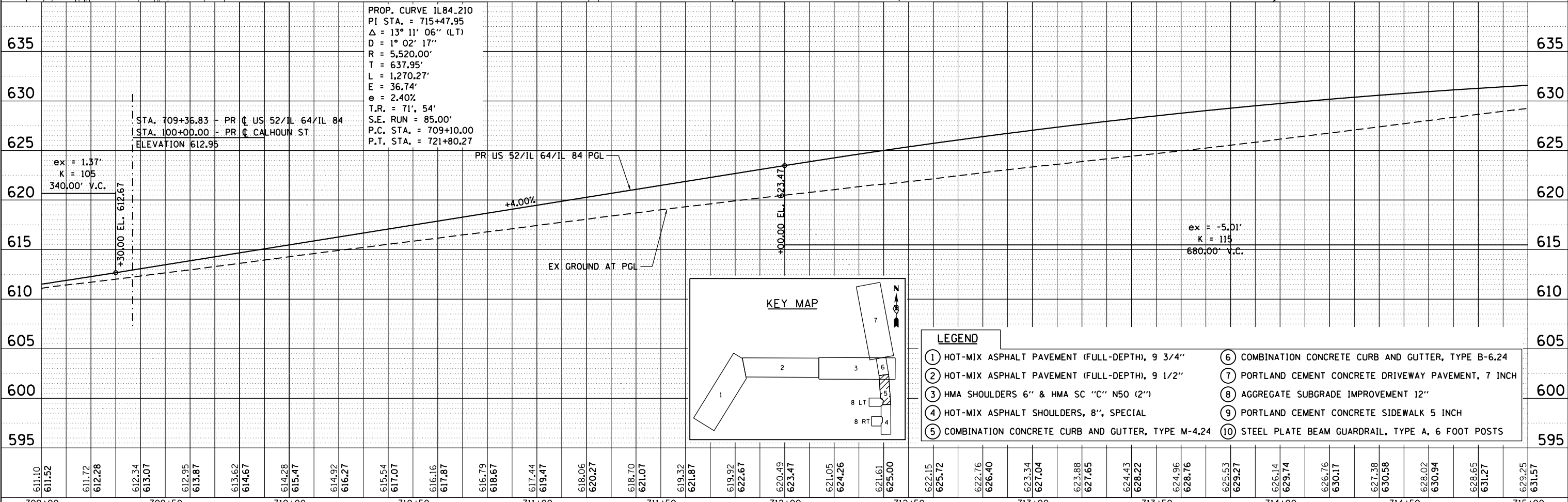
NOTE 1: POTENTIAL UNDERCUT;
REMOVAL AND DISPOSAL OF UNSUITABLE MATERIAL.
SUBGRADE TO BE AGGREGATE SUBGRADE IMPROVEMENT 24"
STATION 709+00 TO 710+00 LEFT OF CENTERLINE.
STATION 99+50 TO 100+00 ENTIRE SUBGRADE WIDTH.



PLAN	SURVEYED	DATE
	PLOTTED	BY
	ALIGNED	
	CHECKED	
	FILED	
	NO.	

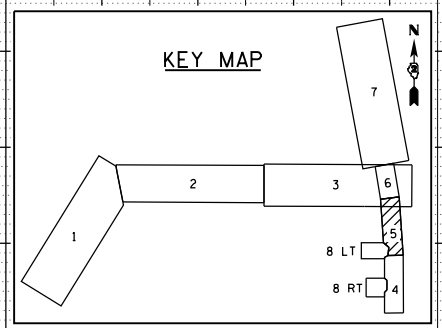


PROFILE	SURVEYED	DATE
	PLOTTED	BY
	GRADES	
	CHECKED	
	STRUCTURE	
	NOTATIONS	
	CHFD	
	NO.	



PROP. CURVE 1L84.210
PI STA. = 715+47.95
Δ = 13° 11' 06" (LT)
D = 1° 02' 17"
R = 5,520.00'
T = 637.95'
L = 1,270.27'
E = 36.74'
e = 2.40%
T.R. = 71', 54'
S.E. RUN = 85.00'
P.C. STA. = 709+10.00
P.T. STA. = 721+80.27

STA. 709+36.83 - PR C US 52/IL 64/IL 84
STA. 100+00.00 - PR C CALHOUN ST
ELEVATION 612.95

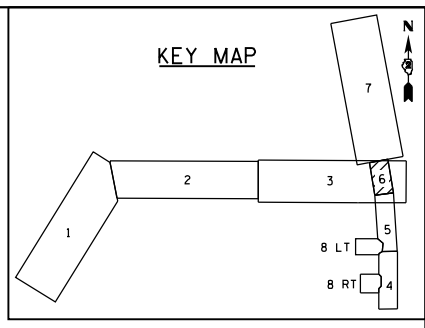
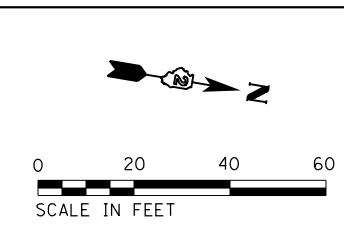
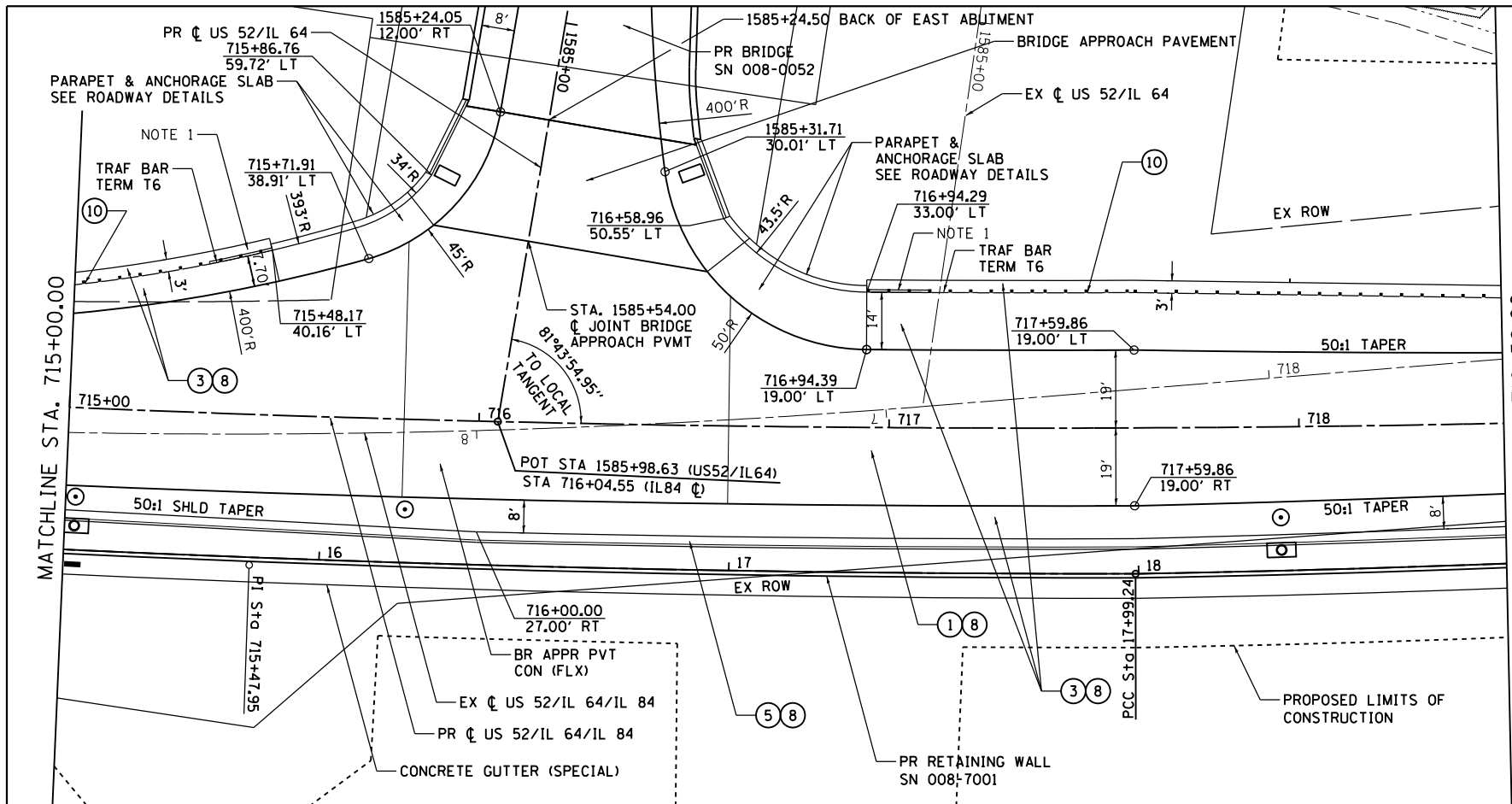


- LEGEND**
- ① HOT-MIX ASPHALT PAVEMENT (FULL-DEPTH), 9 3/4"
 - ② HOT-MIX ASPHALT PAVEMENT (FULL-DEPTH), 9 1/2"
 - ③ HMA SHOULDERS 6" & HMA SC "C" N50 (2")
 - ④ HOT-MIX ASPHALT SHOULDERS, 8", SPECIAL
 - ⑤ COMBINATION CONCRETE CURB AND GUTTER, TYPE M-4.24
 - ⑥ COMBINATION CONCRETE CURB AND GUTTER, TYPE B-6.24
 - ⑦ PORTLAND CEMENT CONCRETE DRIVEWAY PAVEMENT, 7 INCH
 - ⑧ AGGREGATE SUBGRADE IMPROVEMENT 12"
 - ⑨ PORTLAND CEMENT CONCRETE SIDEWALK 5 INCH
 - ⑩ STEEL PLATE BEAM GUARDRAIL, TYPE A, 6 FOOT POSTS

FILE NAME = 200111PLN.205.dgn	USER NAME = 35361	DESIGNED - JB	REVISED -	STATE OF ILLINOIS DEPARTMENT OF TRANSPORTATION	PROPOSED ROADWAY PLAN AND PROFILE US 52 /IL 64/IL 84				F.A.P. RTE. 17	SECTION 104B-2	COUNTY CARROLL/JACKSON	TOTAL SHEETS 528	SHEET NO. 69
Default	PLOT SCALE = 40.0000' / in.	CHECKED - JC	REVISED -		SCALE: 1" = 20'	SHEET 5	OF 8 SHEETS	STA. 709+00	TO STA. 715+00	CONTRACT NO. 64G59			
	PLOT DATE = 3/20/2015	DATE - 03-12-2015	REVISED -		FED. ROAD DIST. NO. ILLINOIS FED. AID PROJECT								

PLAN	SURVEYED	BY	DATE
	PLOTTED		
	ALIGNED		
	CHECKED		
	FILED		
	NO.		

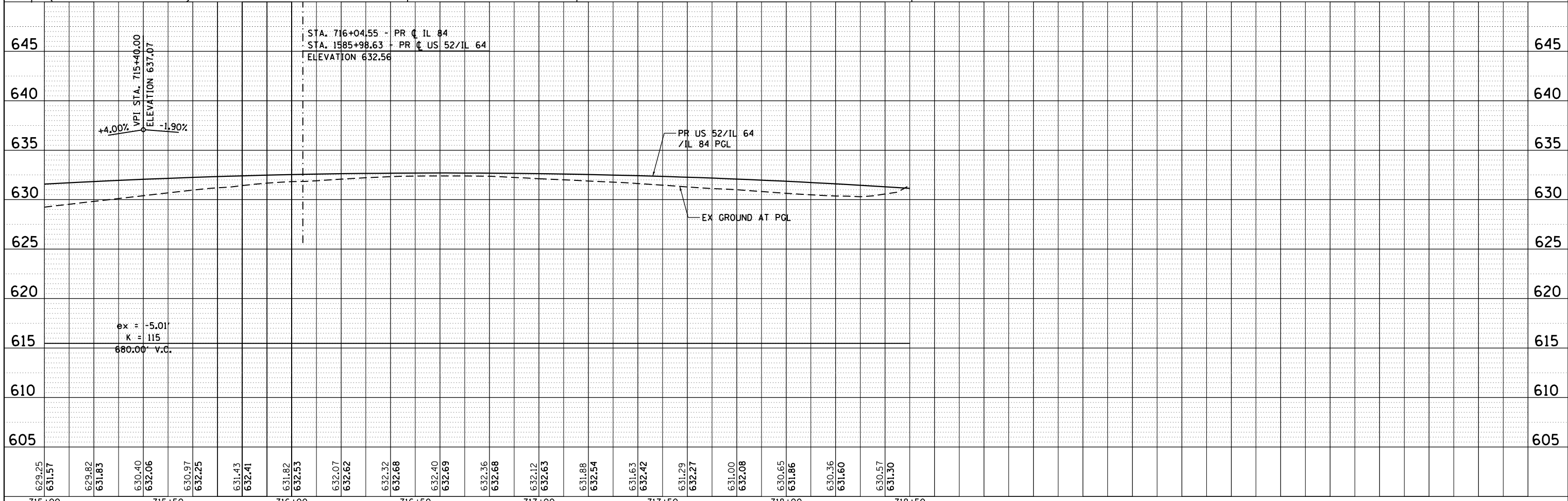
PROFILE	SURVEYED	BY	DATE
	PLOTTED		
	GRADES		
	CHECKED		
	STRUCTURE		
	NOTATIONS		
	CHPND		
	NO.		



PROP. CURVE IL84-210
 PI STA. = 715+47.95
 $\Delta = 13^\circ 11' 06''$ (LT)
 $D = 1^\circ 02' 17''$
 $R = 5,520.00'$
 $T = 637.95'$
 $L = 1,270.27'$
 $E = 36.74'$
 $e = 2.40\%$
 $T.R. = 71', 54'$
 $S.E. RUN = 85.00'$
 $P.C. STA. = 709+10.00$
 $P.T. STA. = 721+80.27$

NOTES
 1. BRIDGE APPROACH CURB PER IDOT HWY STD 631031. COST INCLUDED IN TRAFFIC BARRIER TERMINAL, TYPE 6.
 2. SEE ROW PLANS FOR PROPOSED ROW DIMENSIONS.

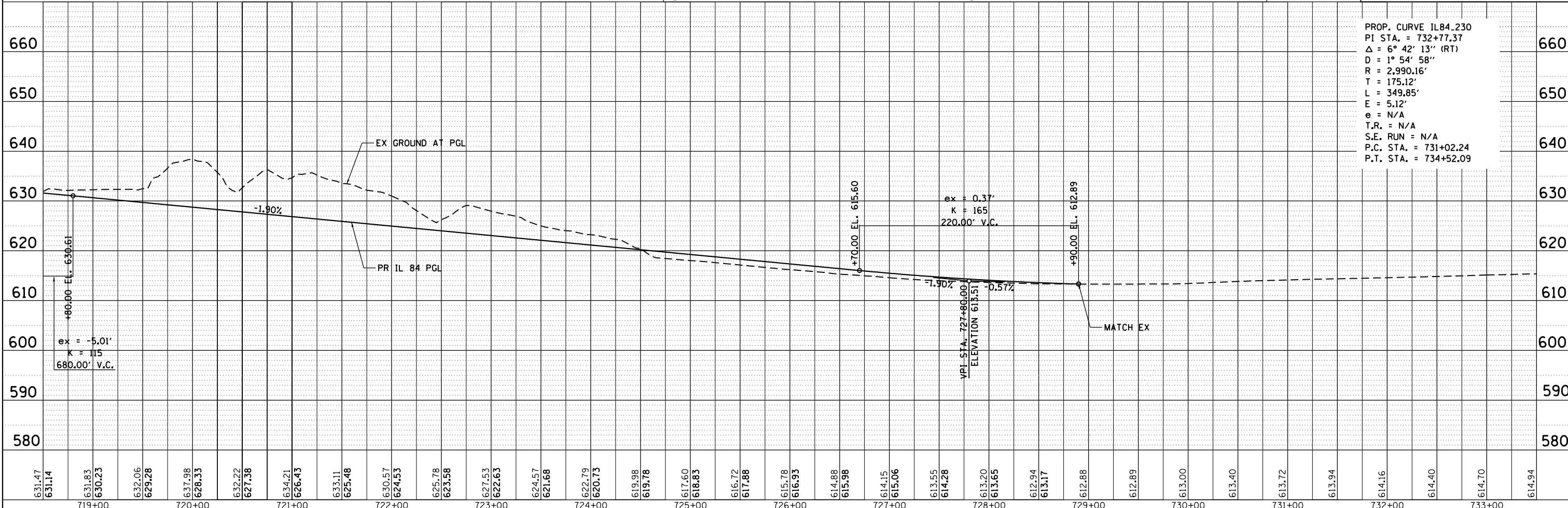
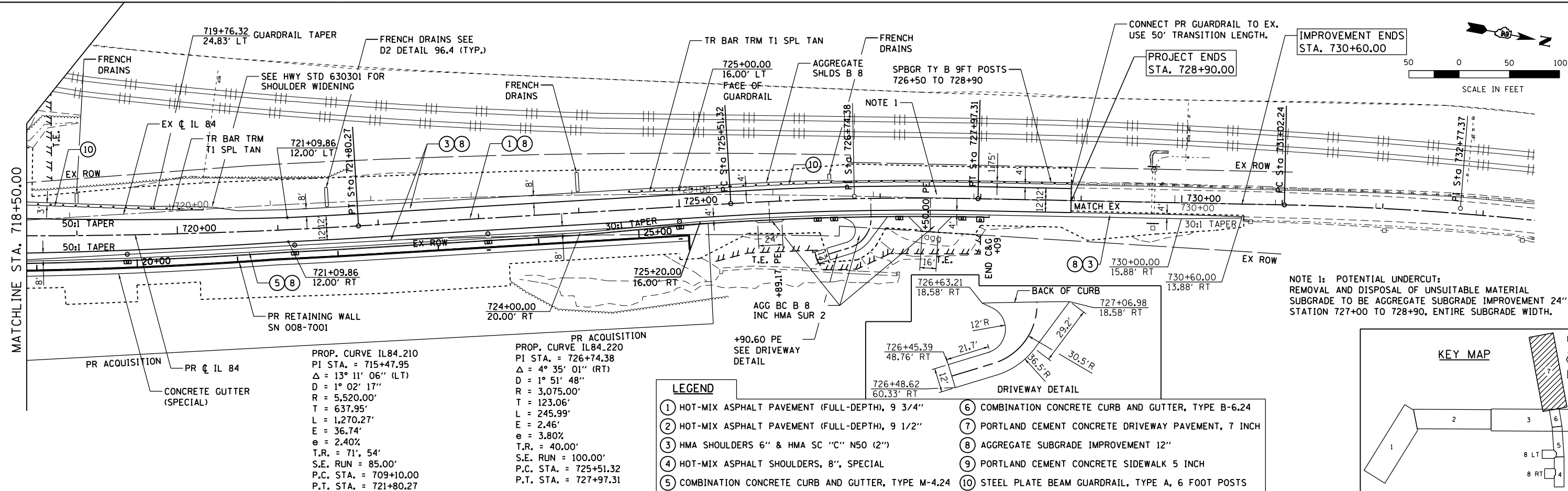
LEGEND	
①	HOT-MIX ASPHALT PAVEMENT (FULL-DEPTH), 9 3/4"
②	HOT-MIX ASPHALT PAVEMENT (FULL-DEPTH), 9 1/2"
③	HMA SHOULDERS 6" & HMA SC "C" N50 (2")
④	HOT-MIX ASPHALT SHOULDERS, 8", SPECIAL
⑤	COMBINATION CONCRETE CURB AND GUTTER, TYPE M-4.24
⑥	COMBINATION CONCRETE CURB AND GUTTER, TYPE B-6.24
⑦	PORTLAND CEMENT CONCRETE DRIVEWAY PAVEMENT, 7 INCH
⑧	AGGREGATE SUBGRADE IMPROVEMENT 12"
⑨	PORTLAND CEMENT CONCRETE SIDEWALK 5 INCH
⑩	STEEL PLATE BEAM GUARDRAIL, TYPE A, 6 FOOT POSTS



FILE NAME = 200111PLN.206.dgn	USER NAME = 35361	DESIGNED - JB	REVISED -	STATE OF ILLINOIS DEPARTMENT OF TRANSPORTATION	PROPOSED ROADWAY PLAN AND PROFILE US 52 /IL 64/IL 84		F.A.P. RTE. 17	SECTION 104B-2	COUNTY CARROLL/JACKSON	TOTAL SHEETS 528	SHEET NO. 70	
Default	PLOT SCALE = 40.0000' / in.	CHECKED - JC	REVISED -		SCALE: 1" = 20'	SHEET 6	OF 8 SHEETS	STA. 715+00	TO STA. 718+50	CONTRACT NO. 64G59		
	PLOT DATE = 3/20/2015	DATE - 03-12-2015	REVISED -		FED. ROAD DIST. NO. ILLINOIS FED. AID PROJECT							

PLAN	SURVEYED	BY	DATE
	PLOTTED		
	GRADES CHECKED		
	STRUCTURE NOTATIONS CHECKED		
	NOTE BOOK NO.		
	CARD FILE NAME		

PROFILE	SURVEYED	BY	DATE
	PLOTTED		
	GRADES CHECKED		
	STRUCTURE NOTATIONS CHECKED		
	NOTE BOOK NO.		
	CARD FILE NAME		



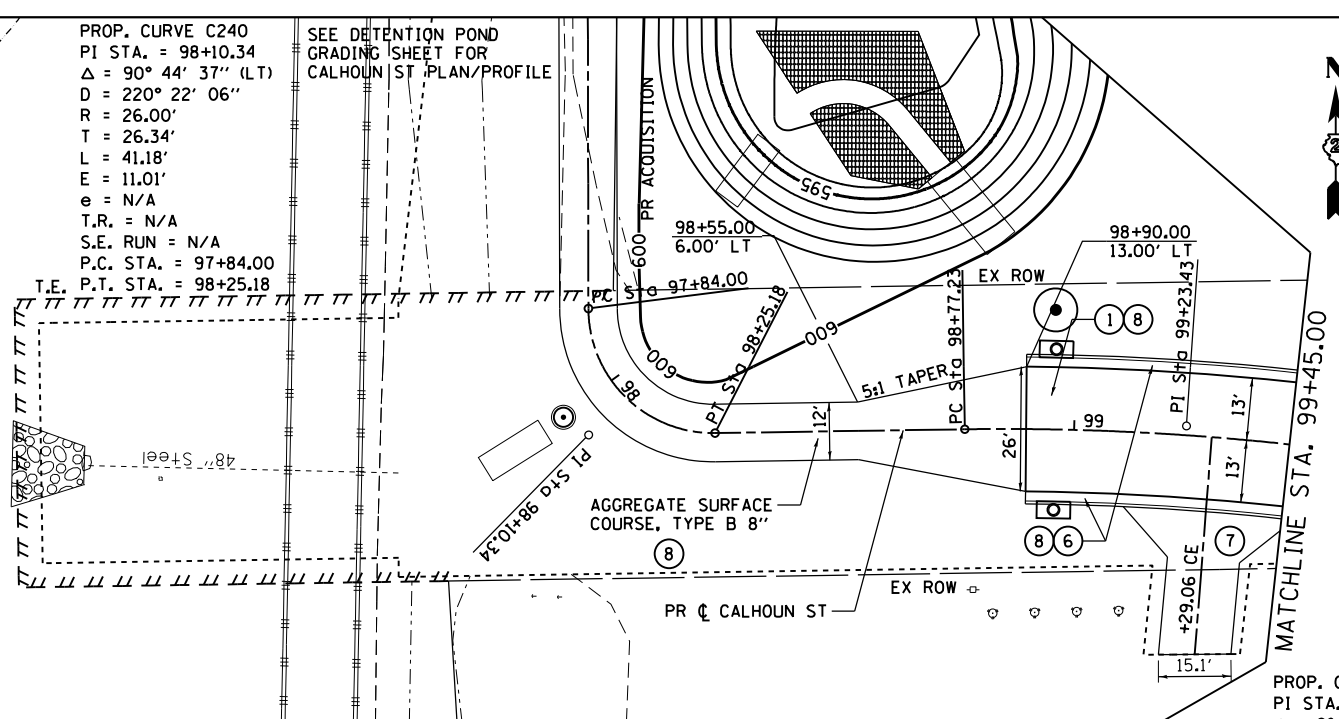
FILE NAME = 200111PLN.207.dgn	USER NAME = 35361	DESIGNED - JB	REVISD -	STATE OF ILLINOIS DEPARTMENT OF TRANSPORTATION	PROPOSED ROADWAY PLAN AND PROFILE IL 84			F.A.P. RTE. 17	SECTION 104B-2	COUNTY CARROLL/JACKSON	TOTAL SHEETS 528	SHEET NO. 71
Default	PLOT SCALE = 100.0000' / in.	CHECKED - JC	REVISD -		SCALE: 1" = 50'	SHEET 7	OF 8 SHEETS	STA. 718+50	TO STA. 728+90	CONTRACT NO. 64G59		
	PLOT DATE = 3/20/2015	DATE - 03-12-2015	REVISD -		FED. ROAD DIST. NO. ILLINOIS FED. AID PROJECT							

PLAN	SURVEYED	BY	DATE
	PLOTTED		
	ALIGNED		
	CHECKED		
	DESIGNED		
	FILE NAME		
	NO.		

PROFILE	SURVEYED	BY	DATE
	PLOTTED		
	GRADES CHECKED		
	STRUCTURE		
	NOTATIONS CHECKED		
	NO.		

PROP. CURVE C240
 PI STA. = 98+10.34
 $\Delta = 90^\circ 44' 37''$ (LT)
 $D = 220^\circ 22' 06''$
 $R = 26.00'$
 $T = 26.34'$
 $L = 41.18'$
 $E = 11.01'$
 $e = N/A$
 $T.R. = N/A$
 $S.E. RUN = N/A$
 P.C. STA. = 97+84.00
 T.E. P.T. STA. = 98+25.18

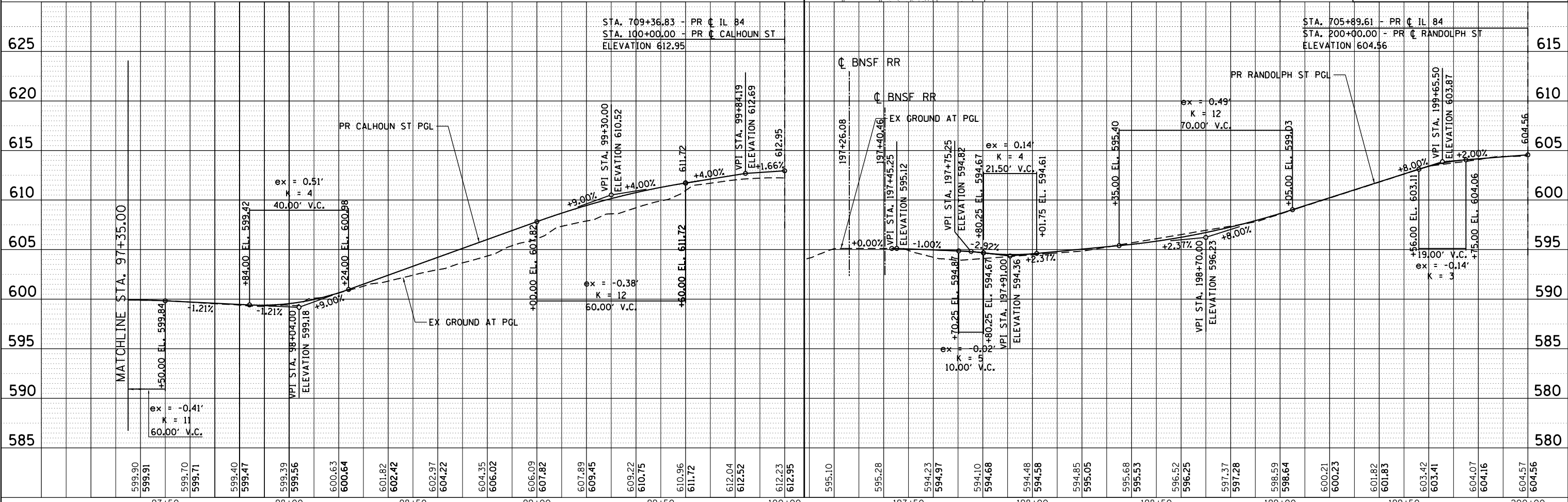
SEE DETENTION POND
 GRADING SHEET FOR
 CALHOUN ST PLAN/PROFILE



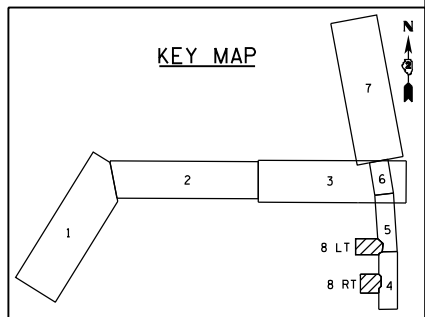
PROP. CURVE C250
 PI STA. = 99+23.43
 $\Delta = 9^\circ 36' 08''$ (RT)
 $D = 10^\circ 25' 03''$
 $R = 550.00'$
 $T = 46.20'$
 $L = 92.18'$
 $E = 1.94'$
 $e = N/A$
 $T.R. = N/A$
 $S.E. RUN = N/A$
 P.C. STA. = 98+77.23
 P.T. STA. = 99+69.41

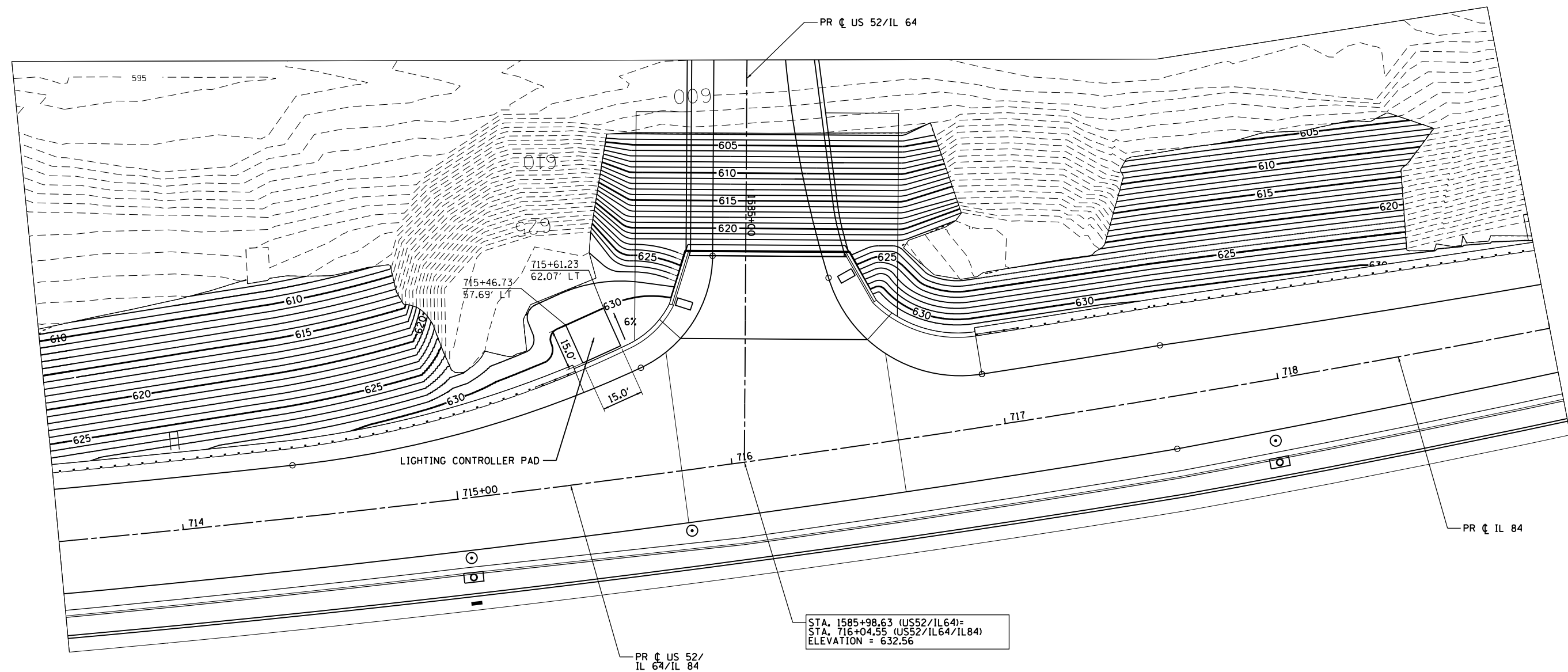
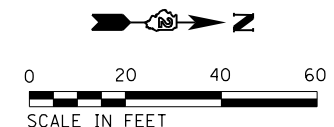
LEGEND

- ① HOT-MIX ASPHALT PAVEMENT (FULL-DEPTH), 9 3/4"
- ② HOT-MIX ASPHALT PAVEMENT (FULL-DEPTH), 9 1/2"
- ③ HMA SHOULDERS 6" & HMA SC "C" N50 (2")
- ④ HOT-MIX ASPHALT SHOULDERS, 8", SPECIAL
- ⑤ COMBINATION CONCRETE CURB AND GUTTER, TYPE M-4.24
- ⑥ COMBINATION CONCRETE CURB AND GUTTER, TYPE B-6.24
- ⑦ PORTLAND CEMENT CONCRETE DRIVEWAY PAVEMENT, 7 INCH
- ⑧ AGGREGATE SUBGRADE IMPROVEMENT 12"
- ⑨ PORTLAND CEMENT CONCRETE SIDEWALK 5 INCH
- ⑩ STEEL PLATE BEAM GUARDRAIL, TYPE A, 6 FOOT POSTS



FILE NAME = 200111PLN.208.dgn	USER NAME = 35361	DESIGNED - JB	REVISED -	STATE OF ILLINOIS DEPARTMENT OF TRANSPORTATION	PROPOSED ROADWAY PLAN AND PROFILE CALHOUN ST AND RANDOLPH ST	F.A.P. RTE. = 17	SECTION = 104B-2	COUNTY = CARROLL/JACKSON	TOTAL SHEETS = 528	SHEET NO. = 72		
Default	PLOT SCALE = 48.0000' / in.	CHECKED - JC	REVISED -			SCALE: 1" = 20'	SHEET 8 OF 8 SHEETS	STA. 97+84	TO STA. 200+00	CONTRACT NO. 64G59		
	PLOT DATE = 3/20/2015	DATE = 03-12-2015	REVISED -			FED. ROAD DIST. NO. ILLINOIS FED. AID PROJECT						





FILE NAME = c:\pwworking\illinois\35361\dm04105\200110RA0_202.dgn

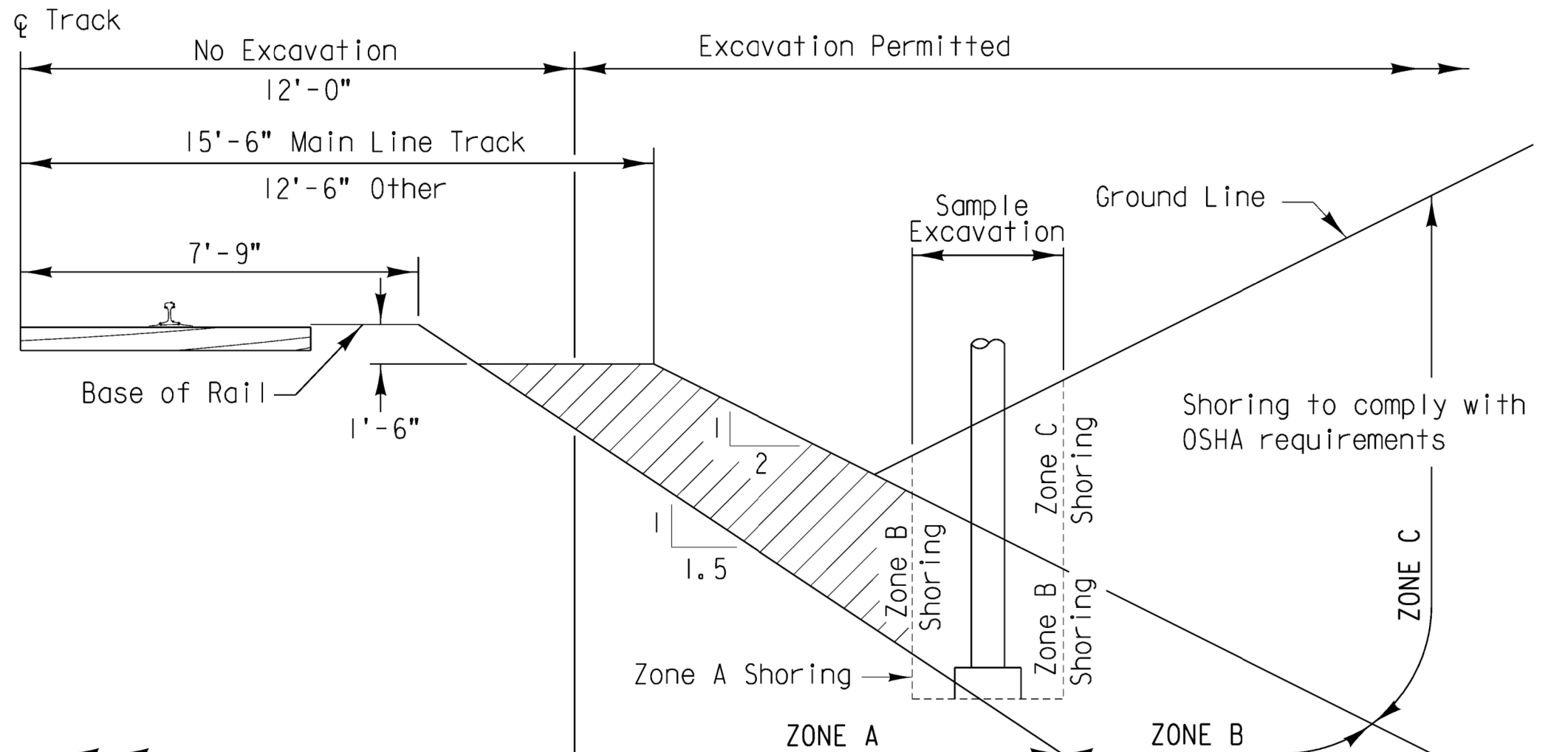
USER NAME = 35361	DESIGNED - OS	REVISED -
	DRAWN - FZ	REVISED -
PLOT SCALE = 40.0000' / in.	CHECKED - JC	REVISED -
PLOT DATE = 3/20/2015	DATE - 03-12-2015	REVISED -

**STATE OF ILLINOIS
DEPARTMENT OF TRANSPORTATION**

ABUTMENT GRADING PLAN

SCALE: 1" = 20' SHEET 2 OF 2 SHEETS STA. TO STA.

F.A.P. RTE.	SECTION	COUNTY	TOTAL SHEETS	SHEET NO.
17	104B-2	CARROLL/JACKSON	528	74
CONTRACT NO. 64G59				
FED. ROAD DIST. NO. ILLINOIS FED. AID PROJECT				



Shoring must be designed for Railroad live load surcharge in addition to OSHA Standard loads for excavation in Zone A.
APPLICABLE RAILROAD LIVE LOAD: COOPER E80

Only vertical shoring will be permitted for excavation in this Zone, (no sloping cuts)
 Shoring to comply with OSHA requirements

GENERAL NOTES:

All dimensions are measured perpendicular to ϕ of track.
 Prior to commencing any work, the contractor shall submit for approval by the Railroad detailed plans indicating the nature and extent of the track protection shoring proposed. The contractor shall install the temporary shoring system per the approved plans. Design of the temporary shoring system to comply with **GUIDELINES FOR TEMPORARY SHORING.**



For excavations which encroach into zone A or B, shoring plans shall be accompanied by design calculations. Plans and calculations must be signed and stamped by a Professional Engineer registered in the state where the work will be performed.

GENERAL EXCAVATION ZONES

SCALE: (NOT TO SCALE)

REVISIONS		
DATE	LTR.	DESCRIPTION
5/03	1	FORMERLY UPRR C.E. 106613
/		
/		
/		
/		
/		

DESIGN BY: PGP	DRAWN BY: JFS	CHECKED BY: AA
APPROVED:		
<i>K.H. Jennison</i>		
BNSF - ASSISTANT DIRECTOR STRUCTURES DESIGN		
<i>George J. Mann</i> 9-1-04		
UPRR - MGR SPECIAL PROJECTS STRUCTURES DESIGN		

BRIDGE STANDARDS

GENERAL SHORING REQUIREMENTS

FILE OWNER: UPRR	DATE: 5-6-03
PLAN NO.: 710000	SHEET: 1 OF 1

PLOTTED: \$\$\$DATE\$\$\$ \$TIME

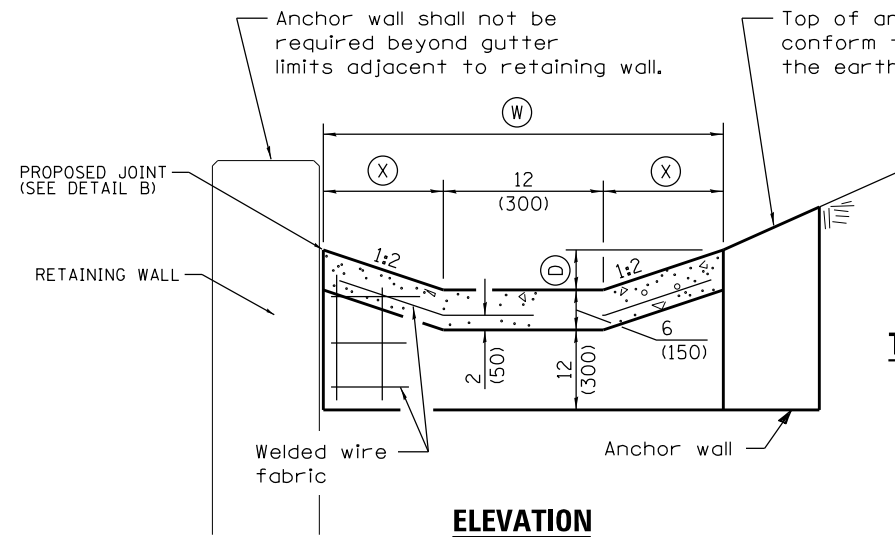
FILE NAME = c:\pwworking\illinois\35361\dm04105\200110E1_201.dgn

USER NAME = 35361	DESIGNED - JB	REVISED -
	DRAWN - JB	REVISED -
PLOT SCALE = 2.0000' / in.	CHECKED - JC	REVISED -
PLOT DATE = 3/20/2015	DATE - 03-12-2015	REVISED -

**STATE OF ILLINOIS
DEPARTMENT OF TRANSPORTATION**

ROADWAY DETAILS			
SCALE: N/A	SHEET 1	OF 3 SHEETS	STA. TO STA.

F.A.P. RTE.	SECTION	COUNTY	TOTAL SHEETS	SHEET NO.
17	104B-2	CARROLL/JACKSON	528	75
CONTRACT NO. 64G59				
FED. ROAD DIST. NO. ILLINOIS FED. AID PROJECT				

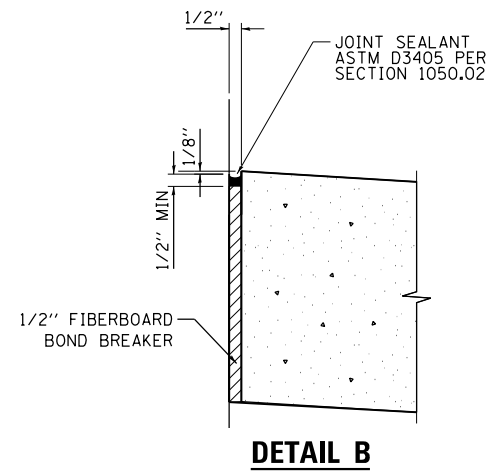


ELEVATION

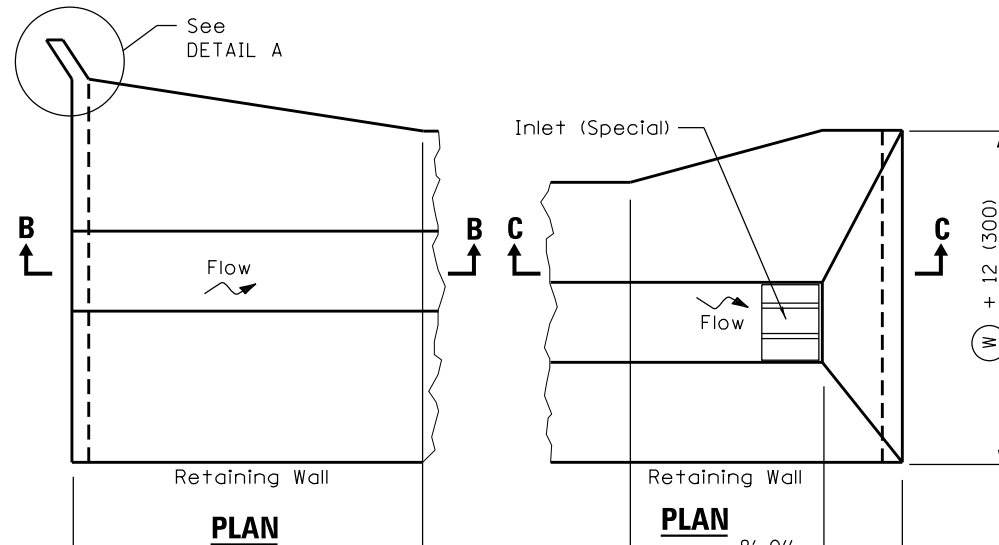
CONCRETE GUTTER (SPECIAL)

(D)	(W)	(X)
12 (300)	5'-0" (1.5 m)	24 (600)

TABLE FOR CONCRETE GUTTER (SPECIAL)

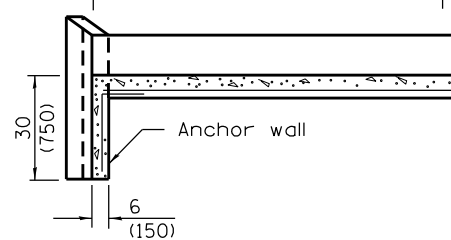


DETAIL B



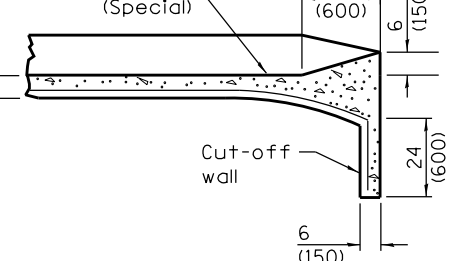
PLAN

PLAN



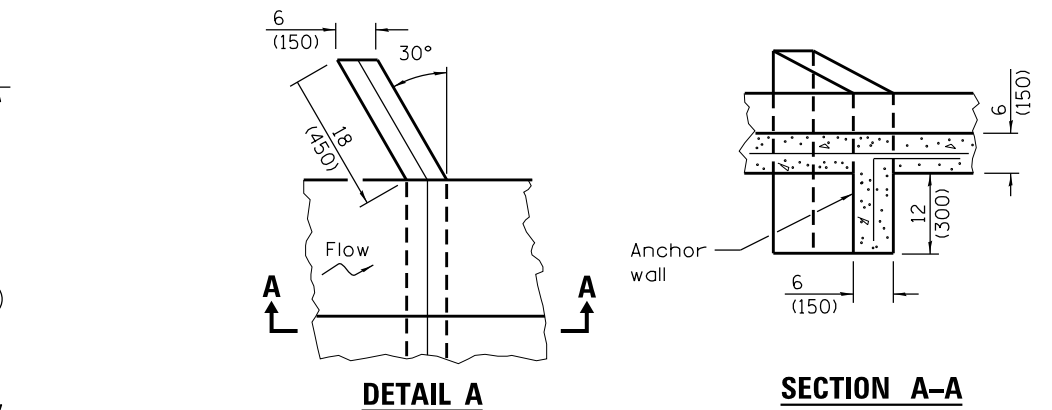
SECTION B-B

DETAIL OF UPSTREAM END



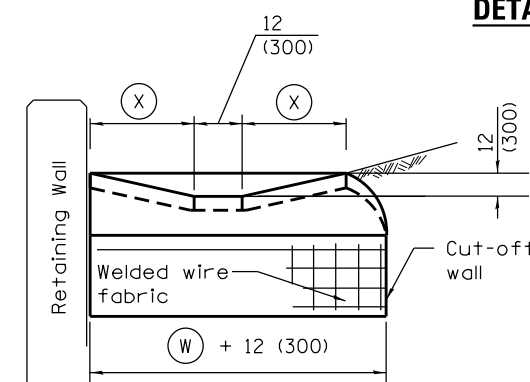
SECTION C-C

DETAIL OF DOWNSTREAM END



DETAIL A

SECTION A-A

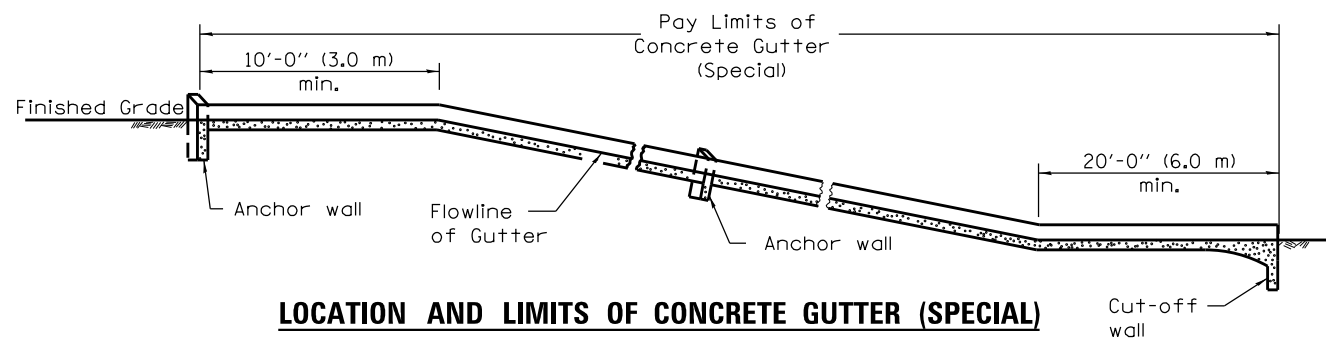


ELEVATION

DETAIL OF ANCHOR WALL

GENERAL NOTES

- EXACT LOCATION AND SPACING OF ANCHOR WALL SHALL BE ADJUSTED TO AVOID RETAINING WALL SOLDIER PILES.
- THE JOINT SEALANT & FIBERBOARD BOND BREAKER SHALL BE INCLUDED IN THE COST OF THE CONCRETE GUTTER (SPECIAL).
- ALL SLOPES ARE EXPRESSED AS OF VERTICAL DISPLACEMENT TO UNITS OF HORIZONTAL DISPLACEMENT (V:H).
- ALL DIMENSIONS ARE IN INCHES (MILLIMETERS) UNLESS OTHERWISE SHOWN.
- ANCHOR WALLS SHALL BE SPACED AT NOT MORE THAN 50 FOOT INTERVALS ALONG THE CONCRETE GUTTER (SPECIAL). ANCHOR WALLS AND CUT-OFF WALL SHALL BE CONSTRUCTED MONOLITHICALLY WITH THE CONCRETE GUTTER (SPECIAL).



LOCATION AND LIMITS OF CONCRETE GUTTER (SPECIAL)

FILE NAME = c:\p\working\illinois\35361\dm\04105\200110DET_202.dgn

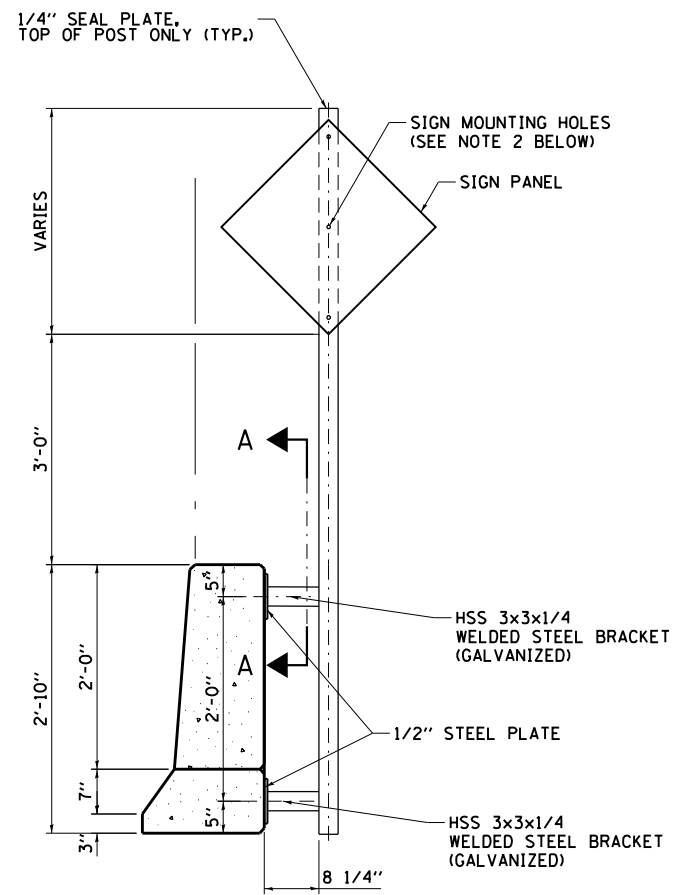
USER NAME = 35361	DESIGNED - JB	REVISED -
	DRAWN - JB	REVISED -
PLOT SCALE = 2.0000' / in.	CHECKED - JC	REVISED -
PLOT DATE = 3/20/2015	DATE - 03-12-2015	REVISED -

STATE OF ILLINOIS
DEPARTMENT OF TRANSPORTATION

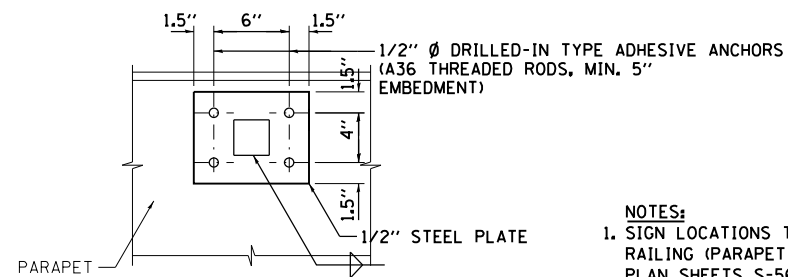
ROADWAY DETAILS
CONCRETE GUTTER (SPECIAL)

SCALE: N/A SHEET 2 OF 3 SHEETS STA. TO STA.

F.A.P. RTE.	SECTION	COUNTY	TOTAL SHEETS	SHEET NO.
17	104B-2	CARROLL/JACKSON	528	76
CONTRACT NO. 64G59				
FED. ROAD DIST. NO. ILLINOIS FED. AID PROJECT				

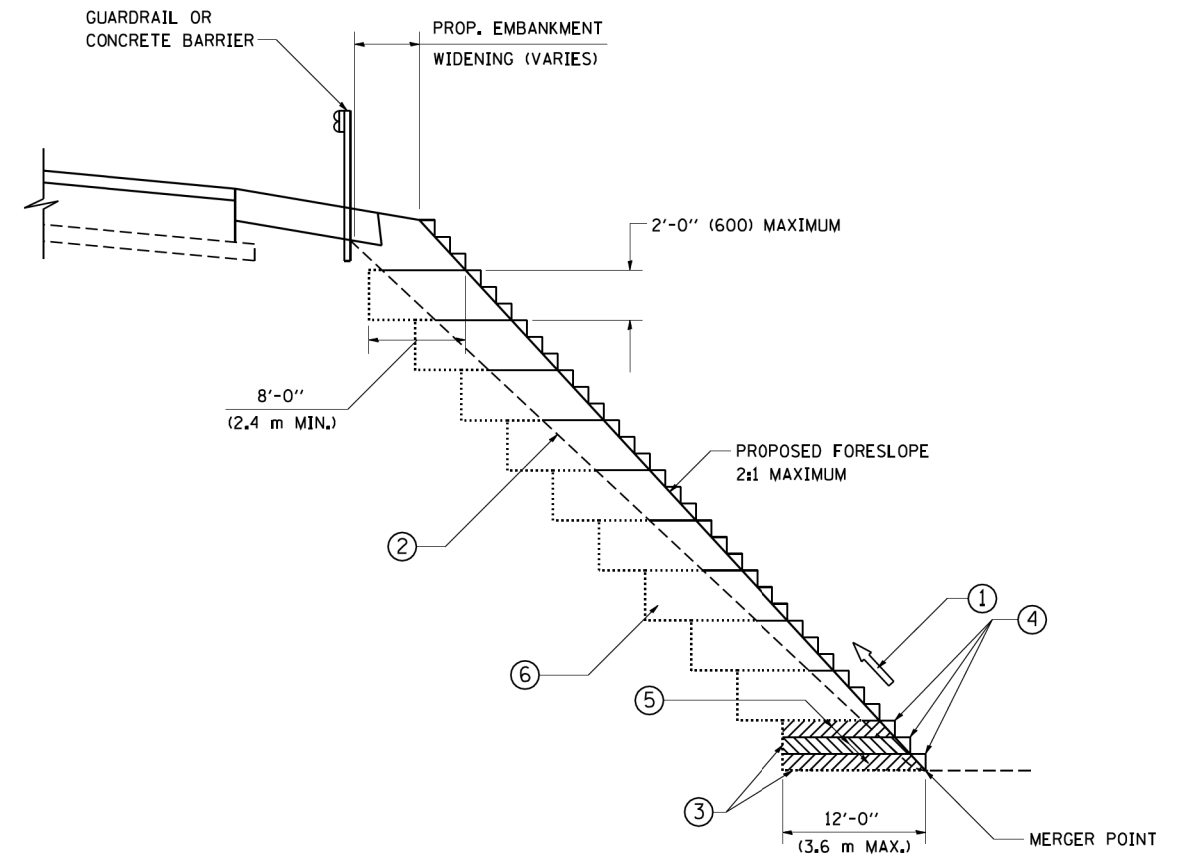


SIGN SUPPORT ATTACHED TO PARAPET



SECTION A-A

- NOTES:**
- SIGN LOCATIONS TO BE SPACED BETWEEN BICYCLE RAILING (PARAPET MOUNTED) ANCHOR PLATES. SEE BRIDGE PLAN SHEETS S-56 AND S-57 FOR ADDITIONAL DETAILS.
 - COORDINATE SIZE AND LOCATION OF SIGN MOUNTING HOLES WITH SIGN PANEL DETAILS (TYP.)
 - ALL SIGN SUPPORT CONFIGURATIONS PER THIS DETAIL SHALL BE PAID FOR AS SIGN SUPPORT SPECIAL.



TYPICAL BENCHING DETAIL FOR EMBANKMENT

NOTES:

- CONSTRUCT SUCCEEDING BENCH CUTS. CONSTRUCT AND COMPACT EMBANKMENT FROM BOTTOM TO TOP IN STAIRSTEP FASHION.
- EXISTING FORESLOPE PREPARED IN ACCORDANCE WITH ARTICLE 205.03 OF THE STANDARD SPECIFICATIONS.
- BENCH CUT EXISTING SLOPE TYPICAL FOR EACH STEP.
- TRIM TO FINAL SLOPE.
- EQUAL 8-INCH (200) LIFTS OF EMBANKMENT COMPACTED IN ACCORDANCE WITH ARTICLE 205.05 OF THE STANDARD SPECIFICATIONS.

ALL DIMENSIONS ARE IN INCHES (MILLIMETERS) UNLESS OTHERWISE SHOWN.

FILE NAME = c:\p\sect\king\illinois\35361\dm04105\200110DET_203.dgn

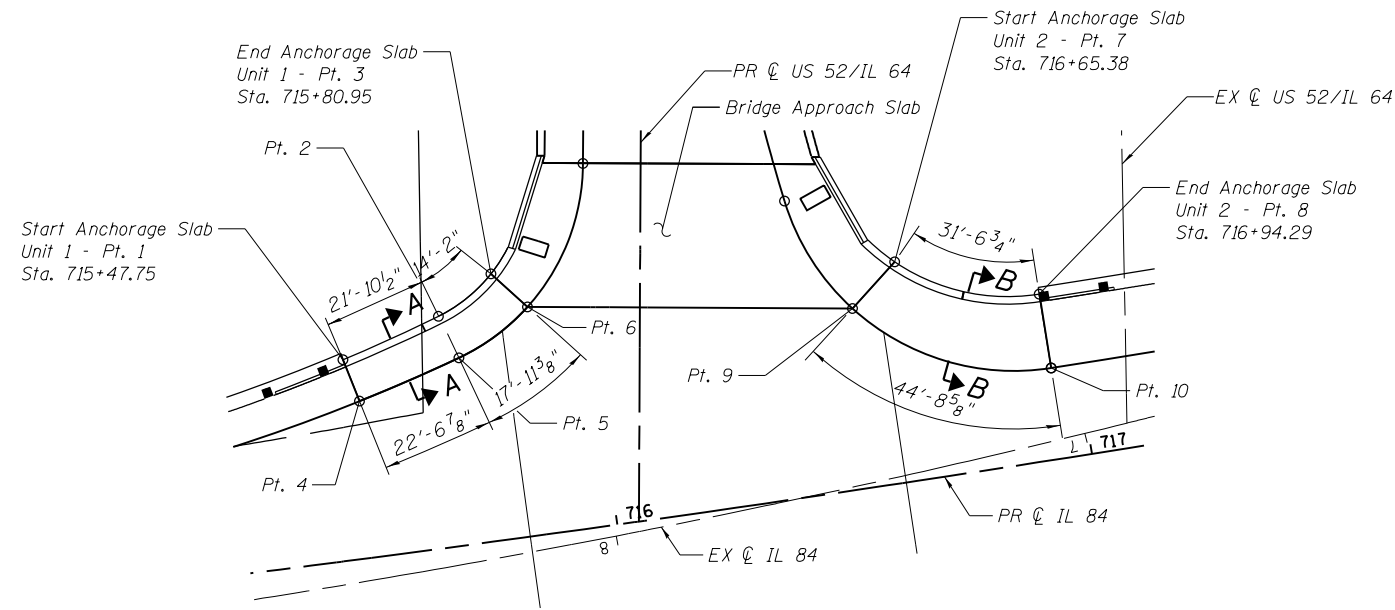
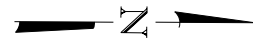
USER NAME = 35361	DESIGNED - JB	REVISED -
PLOT SCALE = 2.0000' / in.	DRAWN - JB	REVISED -
PLOT DATE = 3/20/2015	CHECKED - JC	REVISED -
	DATE - 03-12-2015	REVISED -

**STATE OF ILLINOIS
DEPARTMENT OF TRANSPORTATION**

ROADWAY DETAILS

SCALE: N/A SHEET 3 OF 3 SHEETS STA. TO STA.

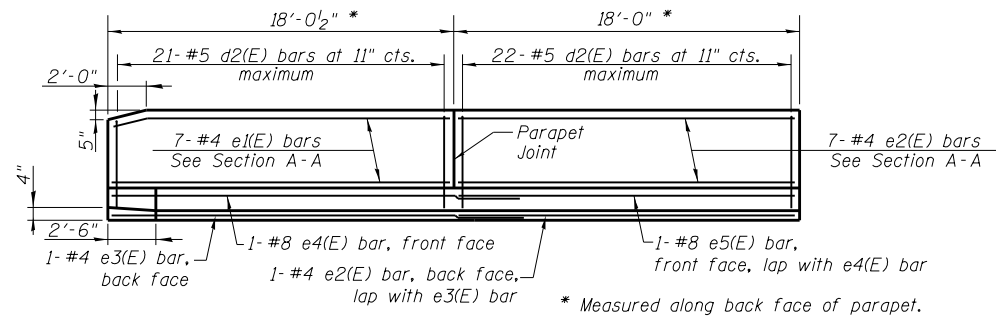
F.A.P. RTE.	SECTION	COUNTY	TOTAL SHEETS	SHEET NO.
17	104B-2	CARROLL/JACKSON	528	77
CONTRACT NO. 64G59				
FED. ROAD DIST. NO. ILLINOIS FED. AID PROJECT				



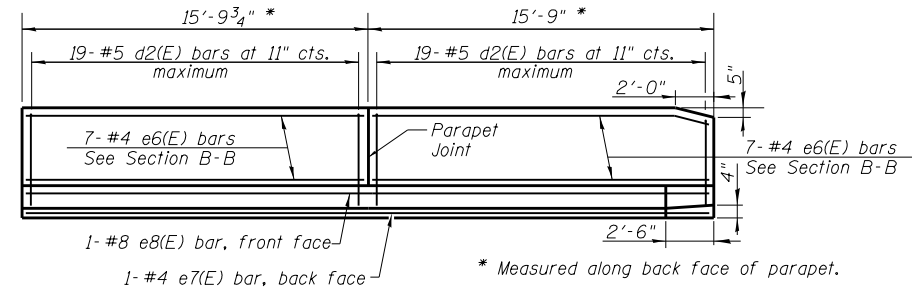
PLAN

MINIMUM BAR LAP

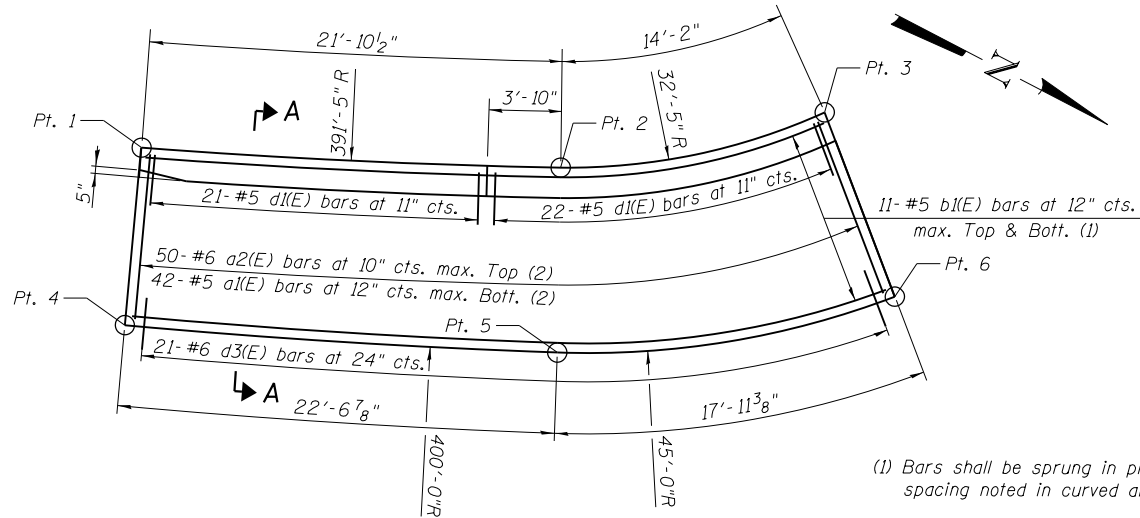
#4 - 2'-1"
#8 - 5'-5"



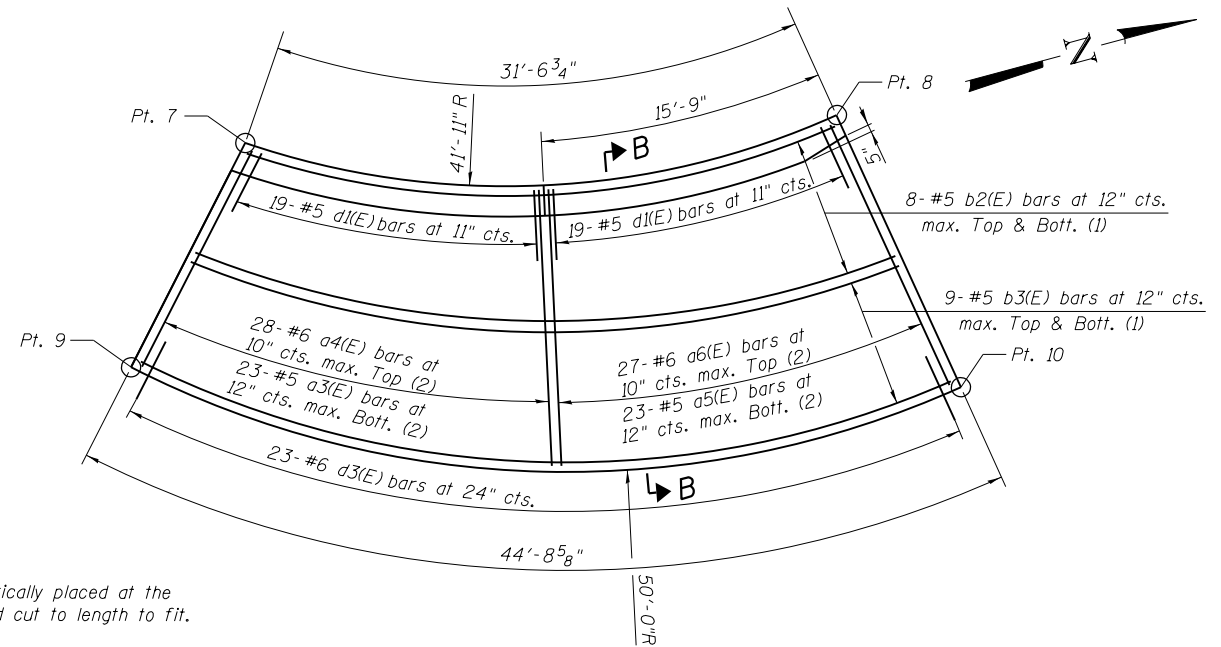
PARAPET INSIDE ELEVATION - UNIT 1



PARAPET INSIDE ELEVATION UNIT 2



ANCHORAGE SLAB PLAN - UNIT 1



ANCHORAGE SLAB PLAN - UNIT 2

- (1) Bars shall be sprung in place to be concentrically placed at the spacing noted in curved area of the slab and cut to length to fit.
- (2) Bars shall be placed radially at the spacing noted in curved area of the slab and cut to length to fit.

WORK POINTS

Pt.	Station (IL84)	Offset (')	Unit
1	715+47.75	41.69 LT	1
2	715+68.83	48.05 LT	1
3	715+80.95	55.35 LT	1
4	715+50.07	32.69 LT	1
5	715+71.91	38.91 LT	1
6	715+87.65	47.50 LT	1
7	716+65.38	45.84 LT	2
8	716+94.29	34.58 LT	2
9	716+55.13	37.56 LT	2
10	716+94.39	19.00 LT	2

DESIGN SPECIFICATIONS

2012 AASHTO LRFD Bridge Design Specifications, 6th Edition with 2013 Interims

DESIGN STRESSES

FIELD UNITS

f'c = 3,500 psi
fy = 60,000 psi (Reinforcement)

LOADING HL-93

BILL OF MATERIAL

Item	Unit	Total
Concrete Superstructure	Cu. Yd.	51.5
Protective Coat	Sq. Yd.	122
Reinforcement Bars, Epoxy Coated	Pound	7,360

INDEX OF SHEETS

- 69 PARAPET AND ANCHORAGE SLAB PLAN AND ELEVATION
- 70 PARAPET AND ANCHORAGE SLAB DETAILS

Notes:

Reinforcement bars designated (E) shall be epoxy coated.
For Sections A-A and B-B see sheet 70.
For Unit 1 and Unit 2 Bill of Material see sheet 70.

FILE NAME = c:\p\work\king\illinois\35361\dm#04105\20011BR-DET_201.dgn

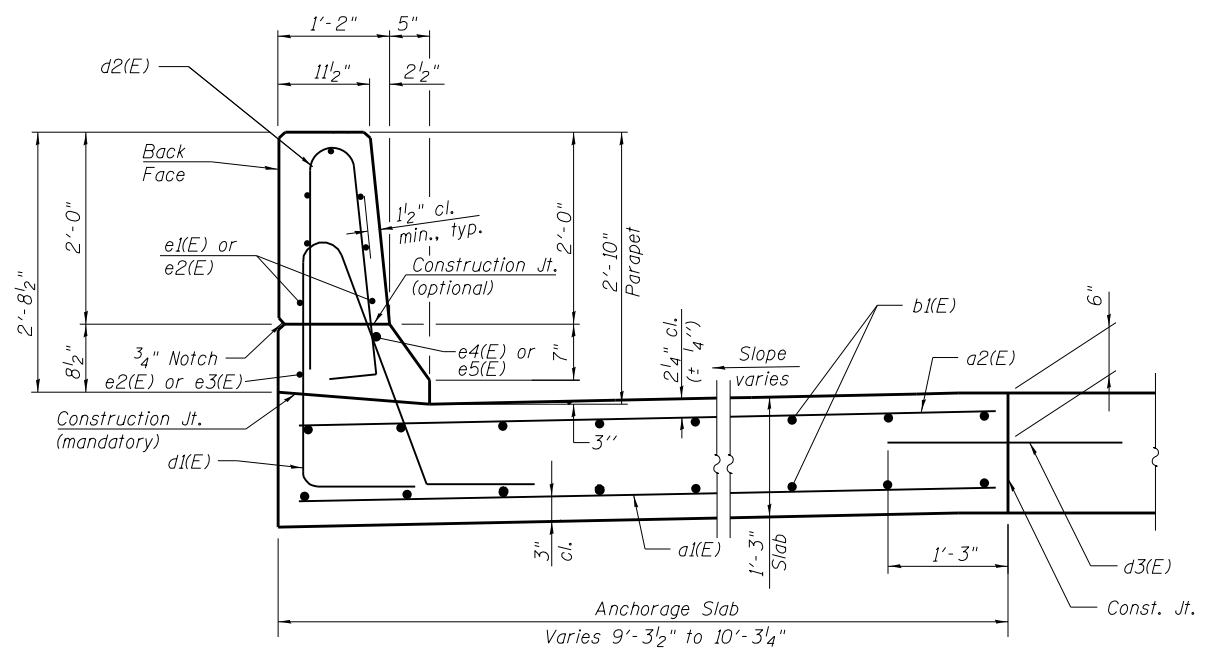
USER NAME = 35361	DESIGNED - GTH	REVISED -
DRAWN - SO	REVISOR -	
PLOT SCALE =	CHECKED - EAR	REVISOR -
PLOT DATE = 3/20/2015	DATE - 03-12-2015	REVISOR -

STATE OF ILLINOIS
DEPARTMENT OF TRANSPORTATION

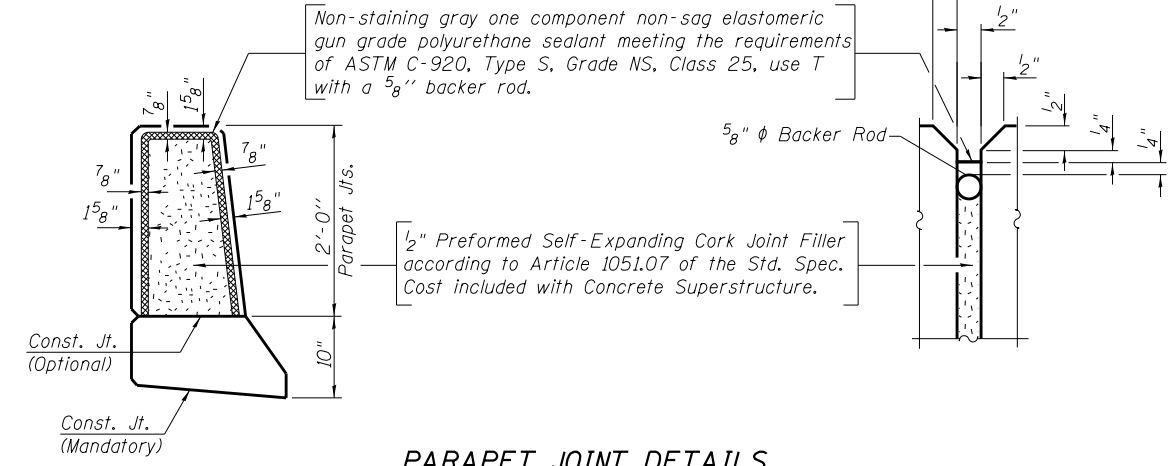
PARAPET AND ANCHORAGE SLAB
PLAN AND ELEVATION

SCALE: SHEET 1 OF 2 SHEETS STA. TO STA.

F.A.P. RTE.	SECTION	COUNTY	TOTAL SHEETS	SHEET NO.
17	104B-2	CARROLL/JACKSON	528	78
CONTRACT NO. 64G59				
FED. ROAD DIST. NO. ILLINOIS FED. AID PROJECT				



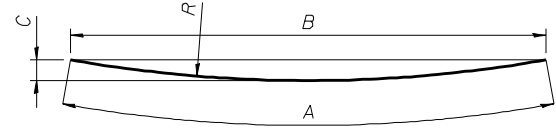
SECTION A-A



PARAPET JOINT DETAILS

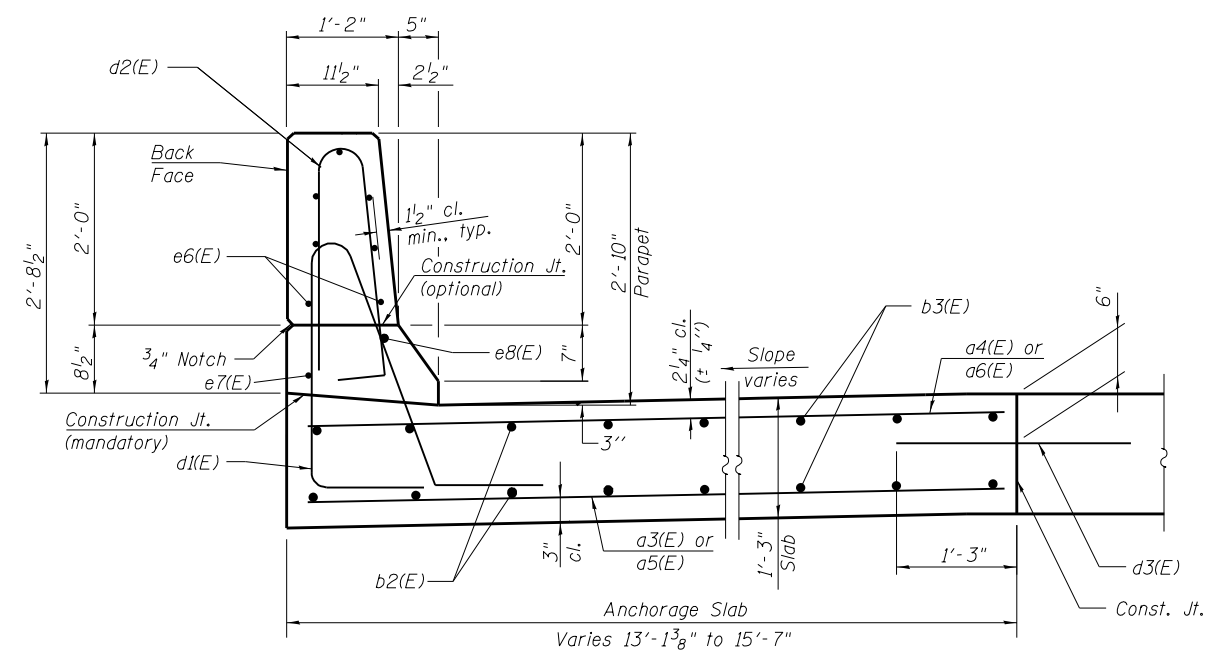
ANCHORAGE SLAB - UNIT 1
BILL OF MATERIAL

Bar	No.	Size	Length	Shape
a1(E)	42	#5	9'-10"	—
a2(E)	50	#6	9'-10"	—
b1(E)	22	#5	40'-2"	—
d1(E)	43	#5	7'-11"	⤴
d2(E)	43	#5	5'-7"	⤴
d3(E)	21	#6	2'-6"	—
e1(E)	7	#4	17'-8"	—
e2(E)	8	#4	17'-8"	⤴
e3(E)	1	#4	20'-3"	—
e4(E)	1	#8	23'-6"	—
e5(E)	1	#8	17'-8"	⤴
Concrete Superstructure		Cu. Yd.	21.5	
Protective Coat		Sq. Yd.	51	
Reinforcement Bars, Epoxy Coated		Pound	3,080	

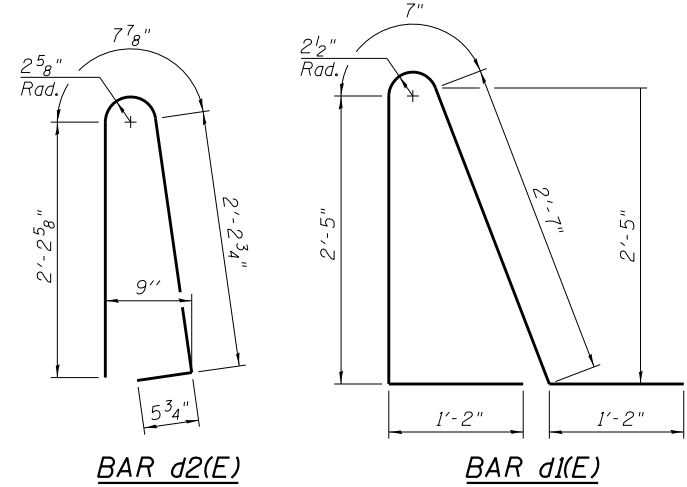


Bars e2(E), e5(E), e6(E), e7(E) & e8(E)

Bar	A	B	C	R
e2(E)	17'-8"	17'-5 1/2"	1'-1 7/8"	33'-6"
e5(E)	17'-8"	17'-5 1/2"	1'-1 7/8"	33'-6"
e6(E)	15'-7"	15'-6"	8 1/2"	42'-6"
e7(E)	31'-5"	30'-8 1/2"	2'-10 3/4"	42'-1 1/2"
e8(E)	32'-2"	31'-5"	2'-11 3/4"	42'-11"



SECTION B-B



BAR d2(E)

BAR d1(E)

Notes:
Anchorage slab and parapet concrete shall be paid for as Concrete Superstructure.
Reinforcement shall be paid for as Reinforcement Bars, Epoxy Coated.
Reinforcement bars designated (E) shall be epoxy coated.

ANCHORAGE SLAB - UNIT 2
BILL OF MATERIAL

Bar	No.	Size	Length	Shape
a3(E)	23	#5	14'-6"	—
a4(E)	28	#6	14'-6"	—
a5(E)	23	#5	15'-2"	—
a6(E)	27	#6	15'-2"	—
b2(E)	16	#5	37'-9"	—
b3(E)	18	#5	44'-4"	—
d1(E)	38	#5	7'-11"	⤴
d2(E)	38	#5	5'-7"	⤴
d3(E)	23	#6	2'-6"	—
e6(E)	14	#4	15'-7"	⤴
e7(E)	1	#4	31'-5"	⤴
e8(E)	1	#8	32'-2"	⤴
Concrete Superstructure		Cu. Yd.	30.0	
Protective Coat		Sq. Yd.	71	
Reinforcement Bars, Epoxy Coated		Pound	4,280	

FILE NAME = c:\p\sect\king\illinois\35361\dm\04105\20011IBR-DET_2002.dgn

USER NAME = 35361	DESIGNED - GTH	REVISED -
DRAWN - SO	REVISED -	
PLOT SCALE =	CHECKED - EAR	REVISED -
PLOT DATE = 3/20/2015	DATE - 03-12-2015	REVISED -

STATE OF ILLINOIS
DEPARTMENT OF TRANSPORTATION

PARAPET AND ANCHORAGE SLAB
DETAILS

SCALE: SHEET 2 OF 2 SHEETS STA. TO STA.

F.A.P. RTE.	SECTION	COUNTY	TOTAL SHEETS	SHEET NO.
17	104B-2	CARROLL/JACKSON	528	79
CONTRACT NO. 64G59				
FED. ROAD DIST. NO.	ILLINOIS	FED. AID PROJECT		

MAINTENANCE OF TRAFFIC GENERAL NOTES:

1. TRAFFIC CONTROL DEPICTED IN THESE PLANS AND THE APPLICABLE IDOT DETAILS AND STANDARDS ARE THE MINIMUM REQUIREMENTS. OTHER WORK OR SIGNING MAY BE REQUIRED BY THE ENGINEER. TRAFFIC CONTROL AND PROTECTION SHALL BE PERFORMED IN ACCORDANCE WITH THE STANDARD SPECIFICATIONS, SECTION 700; APPLICABLE GUIDELINES IN THE ILLINOIS MANUAL ON UNIFORM TRAFFIC CONTROL DEVICES FOR STREETS AND HIGHWAYS; AND APPLICABLE HIGHWAY STANDARDS FOR TRAFFIC CONTROL, UNLESS HEREIN REVISED.
2. THE TRAFFIC CONTROL PLANS SHALL SERVE AS A GUIDE FOR SAFE DIVERSION FOR TRAFFIC DURING EXECUTION OF THIS CONTRACT. THE CONTRACTOR MAY IMPROVE OR MODIFY THE TRAFFIC CONTROL PLANS TO MEET CONSTRUCTION NEEDS, BUT NOT AT THE EXPENSE OF PUBLIC SAFETY, TRAFFIC OPERATIONS, OR CONVENIENCE. ANY CHANGES TO THE TRAFFIC CONTROL PLAN SHALL BE SUBMITTED TO THE ENGINEER AND TRAFFIC OPERATIONS FOR REVIEW AND APPROVAL. THE DETAILED REQUEST SHALL BE SUBMITTED IN WRITING A MINIMUM OF 21 DAYS IN ADVANCE OF ANY PROPOSED CHANGE TO THE TRAFFIC CONTROL PLANS. NO TIME EXTENSIONS OR ADDITIONAL COMPENSATION SHALL BE ALLOWED AS A RESULT OF ANY DELAY CAUSED BY THE APPROVAL PROCESS.
3. THE CONTRACTOR SHALL NOTIFY ALL MUNICIPALITIES, EMERGENCY SERVICES, POST OFFICE, AND SCHOOL DISTRICTS THAT WILL BE AFFECTED BY ANY ROAD CLOSURES OR DETOURS 72 HOURS PRIOR TO THEIR IMPLEMENTATION.
4. DURING CONSTRUCTION OPERATIONS, THE CONTRACTOR SHALL TAKE NECESSARY PRECAUTIONS TO PROTECT ADJACENT TRAFFIC LANES OPEN TO TRAFFIC FROM DEBRIS BEING BLOWN OR OTHERWISE REMOVED FROM THE CONSTRUCTION AREAS. THE CONTRACTOR SHALL ALSO BE RESPONSIBLE FOR KEEPING DEBRIS OFF OF THE ADJACENT TRAVELED LANE SURFACE. ALL LABOR, MATERIALS, AND EQUIPMENT NEEDED TO COMPLETE THIS WORK SHALL BE INCLUDED IN TRAFFIC CONTROL AND PROTECTION STANDARDS.
5. ALL CONTRACTOR SUPPLIED TRAFFIC CONTROL DEVICES AND SIGNS SHALL BE IN GOOD CONDITION AND SHALL BE SUBJECT TO APPROVAL BY THE ENGINEER.
6. ALL TRAFFIC CONTROL DEVICES USED FOR THE MAINTENANCE OF TRAFFIC, AS DETAILED ON THE PLANS, SHALL BE REFLECTORIZED PRIOR TO INSTALLATION AND CLEANED AS SPECIFIED IN THE SPECIAL PROVISIONS AND AS DIRECTED BY THE ENGINEER.
7. TRAFFIC CONDITIONS, ACCIDENTS AND OTHER UNFORESEEN CIRCUMSTANCES MAY REQUIRE THE ENGINEER TO RESTRICT, MODIFY, OR REMOVE LANE CLOSURES OR REPAIR EXISTING TRAFFIC CONTROL. THE CONTRACTOR SHALL MAKE THE NECESSARY ADJUSTMENTS AS DIRECTED BY THE ENGINEER WITHOUT DELAY. THE CONTRACTOR SHALL RESPOND WITHIN 30 MINUTES FROM THE TIME OF NOTIFICATION BY THE ENGINEER TO ANY REQUEST MADE BY THE ENGINEER FOR CORRECTION, IMPROVEMENT, OR MODIFICATION OF THE MAINTENANCE OF TRAFFIC CONTROL DEVICES.
8. EXISTING TRAFFIC CONTROL DEVICES ARE TO BE PROTECTED FROM DAMAGE BY THE CONTRACTOR. ANY DAMAGE CAUSED BY HIS WORK OR BY THE MOTORING PUBLIC SHALL BE REPAIRED TO THE SATISFACTION OF THE ENGINEER AT THE EXPENSE OF THE CONTRACTOR.
9. THE CONTRACTOR SHALL MAINTAIN POSITIVE DRAINAGE THROUGH THE USE OF EXISTING, PROPOSED, AND TEMPORARY DRAINAGE ITEMS THROUGHOUT THE MAINTENANCE OF TRAFFIC CONSTRUCTION STAGING.
10. THE CONTRACTOR SHALL PROVIDE AND MAINTAIN ACCESS TO ALL PUBLIC AND PRIVATE ENTRANCES EXCEPT AS NOTED IN THE PLANS.
11. CONTRACTOR IS TO PROVIDE A MINIMUM 1 FOOT SHY DISTANCE FROM EDGE OF LANE MARKER TO TRAFFIC CONTROL DEVICE.
12. CONTRACTOR SHALL FOLLOW APPLICABLE HIGHWAY STANDARDS, DETAIL DRAWINGS AND SPECIAL PROVISIONS FOR TRAFFIC CONTROL DEVICE SPACING.
13. STORAGE OF CONSTRUCTION EQUIPMENT AND MATERIALS SHALL NOT BE ALLOWED WITHIN 2'-0" OF UN-PINNED TEMPORARY CONCRETE BARRIER AND 6" OF PINNED TEMPORARY CONCRETE BARRIER. NO EQUIPMENT AND MATERIALS SHALL BE STORED WITHIN 25' OF AN IMPACT ATTENUATOR. ALL TEMPORARY CONCRETE BARRIER SHALL BE PINNED UNLESS OTHERWISE NOTED.
14. BARRIER WALL OFFSETS SHOWN ARE TO THE CENTER OF THE OF THE WALL.
15. EXISTING SIGNS SHALL BE MAINTAINED DURING EACH STAGE OF CONSTRUCTION AND RELOCATED AS NECESSARY. THE COST OF THE RELOCATION SHALL BE INCLUDED IN THE TRAFFIC CONTROL AND PROTECTION ITEMS.
16. DUE TO EXISTING CONDITIONS, TRAFFIC CONTROL SIGNS CAN BE MOUNTED TO THE EXISTING BRIDGE STRUCTURE AND/OR LIGHT POLES. THE SPACING OF SIGNS MAY BE REVISED TO MATCH FIELD CONDITIONS. NO ADDITIONAL PAYMENT SHALL BE ALLOWED FOR THIS WORK.
17. SEE THE TEMPORARY BRIDGE TRAFFIC SIGNAL DETAILS FOR ADDITIONAL INFORMATION REGARDING TEMPORARY BRIDGE TRAFFIC SIGNALS.
18. GUARDRAIL OR OTHER SAFETY DEVICES SHALL NOT BE MOVED, REMOVED OR MODIFIED FOR TEMPORARY TRAFFIC SIGNAL PLACEMENT.
19. AT LOCATIONS SHOWN ON THE PLANS, TWO-WAY ONE-LANE TRAFFIC WILL BE MAINTAINED USING HIGHWAY STANDARDS 701316 AND 701321 WITH TEMPORARY BRIDGE TRAFFIC SIGNALS. THIS WORK SHALL BE IN ACCORDANCE WITH APPLICABLE SPECIFICATIONS, SPECIAL PROVISIONS, HIGHWAY STANDARDS AND DETAIL DRAWINGS EXCEPT AS NOTED IN THE PLANS AND EXCEPT THAT THE WORK ZONE MAY NOT INVOLVE BRIDGE WORK.
20. ALL STATIONS AND OFFSETS ARE CALCULATED FROM THE PROPOSED ALIGNMENT UNLESS OTHERWISE NOTED.
21. WORK SHALL BE SCHEDULED SO THAT NO DROP-OFFS GREATER THAN 12 INCHES ARE PRESENT WHEN WORKERS ARE NOT WORKING AT THE LOCATION. A DROP-OFF IS DEFINED AS AN ELEVATION DIFFERENCE BETWEEN ADJACENT TRAVELED LANES, BETWEEN A TRAVELED LANE AND AN ADJACENT SHOULDER, BETWEEN A LANE OR SHOULDER AND OTHER LOWER SURFACE (SUCH AS AN EXCAVATION), OR BETWEEN THE SURFACE OF A BRIDGE DECK AND AN EXPOSED GRID OF REINFORCEMENT BAR SUPPORTED ALONG ITS PERIMETER BY STRUCTURAL CONCRETE. A 1V:4H COMPACTED AGGREGATE WEDGE OR BARRIER WALL AND IMPACT ATTENUATORS, AT NO EXPENSE TO THE DEPARTMENT, ARE TO BE USED IN ORDER TO MAINTAIN THESE REQUIREMENTS.
22. AT SOME LOCATIONS, TRAFFIC CONTROL DEVICES ARE PLACED AT THE DROP-OFF ELEVATION TO PRESERVE LANE WIDTH. THE REFLECTIVE AREA AND WARNING LIGHT (IF REQUIRED) SHALL BE RAISED TO THE REQUIRED ELEVATION ABOVE THE TRAVELING LANE AS PER HIGHWAY STANDARD 701901. THE COST OF MEETING THESE REQUIREMENTS SHALL BE INCLUDED IN THE COST OF THE VARIOUS TRAFFIC CONTROL PAY ITEMS.

FILE NAME = c:\p\work\king\illinois\35361\dm04105\20011M01-GN-202.dgn

GN-200.xlsx

USER NAME = 35361	DESIGNED - RB	REVISED -	STATE OF ILLINOIS DEPARTMENT OF TRANSPORTATION	MAINTENANCE OF TRAFFIC GENERAL NOTES			F.A.P. RTE.	SECTION	COUNTY	TOTAL SHEETS	SHEET NO.
DRAWN - RB	REVISIONS -	17					104B-2	CARROLL/JACKSON	528	80	
PLOT SCALE = 2.0000' / in.	CHECKED - JC	REVISIONS -		CONTRACT NO. 64G59							
PLOT DATE = 3/20/2015	DATE - 03-12-2015	REVISIONS -		SCALE: N/A	SHEET 1 OF 1 SHEETS	STA. TO STA.	FED. ROAD DIST. NO.	ILLINOIS FED. AID PROJECT			

MAINTENANCE OF TRAFFIC SEQUENCE OF CONSTRUCTION

PRE-STAGE

CONSTRUCTION

1. UTILITY RELOCATIONS AND TREE CLEARING.
2. TREE CLEARING SHALL BE DONE BETWEEN OCT 1 AND MARCH 31.
3. BEGIN BRIDGE CONSTRUCTION.
4. CONSTRUCT TEMPORARY PAVEMENT ON CAUSEWAY.
5. CONSTRUCT PROPOSED US 52 CAUSEWAY EMBANKMENT ALONG THE NORTH/EASTBOUND LANE.
6. CONSTRUCT RANDOLPH AND CALHOUN STREET STORM SEWERS, INLETS AND MANHOLES AS INDICATED ON THE PRE-STAGE PLAN SHEETS.
7. CONSTRUCT TEMPORARY MANHOLE AND STORM SEWER AT CALHOUN STREET FOR DOWNSTREAM DRAINAGE AS INDICATED ON THE PRE-STAGE PLAN SHEETS.
8. RECONSTRUCT RANDOLPH STREET PAVEMENT FROM STATION 197+45 TO 199+54.
9. RECONSTRUCT CALHOUN STREET PAVEMENT FROM STATION 98+90 TO 99+48 AND ACCESS ROAD.
10. CONSTRUCT TEMPORARY PAVEMENT WIDENING OF EXISTING US 52/IL 64/IL 84 SOUTHBOUND LANE FROM STA 709+11 TO STA 716+10.
11. REPLACE SOUTHBOUND IL 84 SHOULDER WITH TEMPORARY PAVEMENT FROM STA 730+50 TO STA 717+87.
12. REPLACE EASTBOUND US 52 SHOULDER WITH TEMPORARY PAVEMENT FROM STA 1557+00 TO 1560+00.

TRAFFIC

1. MAINTAIN TWO LANE-TWO WAY TRAFFIC THROUGHOUT PROJECT AS SHOWN IN PLANS.
2. CLOSE RANDOLPH TO THROUGH TRAFFIC AND MAINTAIN ACCESS FOR LOCAL TRAFFIC DURING CONSTRUCTION.
3. UTILIZE LANE CLOSURES AS NEEDED USING HIGHWAY STANDARDS 701201, 701301, 701326, 701501, AND 701701 AS REQUIRED.

STAGE 1

CONSTRUCTION

1. CONSTRUCT PROPOSED US 52 CAUSEWAY EMBANKMENT ALONG THE SOUTH/WESTBOUND LANE.
2. CONSTRUCT PROPOSED IL 84 RETAINING WALL.
3. CONSTRUCT STORM SEWER & CURB AND GUTTER ALONG RETAINING WALL.
4. CONSTRUCT TEMPORARY PAVEMENT FROM STA 703+00 TO 709+11. TEMPORARY PAVEMENT SHALL BE CONSTRUCTED AFTER MARCH 15, 2017 AND PRIOR TO STAGE 2A.

TRAFFIC

1. MAINTAIN TWO LANE-TWO WAY TRAFFIC THROUGHOUT PROJECT AS SHOWN IN PLANS.
2. SHIFT IL 84 TRAFFIC ONTO TEMPORARY PAVEMENT CONSTRUCTED FROM STA 708+81 TO 716+60 IN THE PRE-STAGE USING HIGHWAY STANDARD 701331.
3. UTILIZE LANE CLOSURES AS NEEDED USING HIGHWAY STANDARDS 701201, 701301, 701326, 701501, AND 701701 AS REQUIRED.

STAGE 2A

CONSTRUCTION

1. CONSTRUCT PROPOSED US 52 CAUSEWAY SOUTH/WESTBOUND PAVEMENT FROM STA 1546+00 TO STA 1555+69.
2. CONSTRUCT PROPOSED US 52/IL 64/IL 84 & IL 84 NORTHBOUND LANE FROM STA 705+40 TO STA 725+00.
3. CONSTRUCT PROPOSED IL 84 SOUTHBOUND LANE FROM STA 720+00 TO STA 723+00.
4. CONSTRUCT PROPOSED STORM SEWER ALONG NORTHBOUND US 52/IL 64/IL84 FROM STA 705+40 TO 709+40 AND CONNECT TO STORM SEWER CONSTRUCTED IN PRE-STAGE AND STAGE 1.
5. FOLLOWING COMPLETION OF PROPOSED NORTHBOUND LANE, CONSTRUCT TEMPORARY PAVEMENT (VARIABLE DEPTH) RAMP FROM STA 723+00 TO 725+00 FOR STAGE 2B TRAFFIC SWITCH.
6. FOLLOWING COMPLETION OF PROPOSED NORTHBOUND LANE, CONSTRUCT TEMPORARY PAVEMENT (VARIABLE DEPTH) RAMP FROM EXISTING US 52 BRIDGE TO PROPOSED IL 84 PAVEMENT FROM STA 716+53 TO STA 717+75 FOR STAGE 2B TRAFFIC SWITCH.

TRAFFIC

1. US 52 CAUSEWAY TRAFFIC SHALL BE MAINTAINED FROM STA 1543+17 TO 1557+90 USING HIGHWAY STANDARD 701316.
2. IL 84 TRAFFIC SHIFTED ONTO TEMPORARY PAVEMENT CONSTRUCTED IN PRE-STAGE AND STAGE 1 FROM STA 703+00 TO 716+36 USING HIGHWAY STANDARD 701331.
3. US 52/IL 64/IL 84 & IL 84 TRAFFIC SHALL BE MAINTAINED FROM STA 713+90 TO 718+40 USING HIGHWAY STANDARD 701316.
4. THREE LEG SIGNAL CONTROL WILL BE IN EFFECT AT US 52 & IL 84 INTERSECTION.
5. EAST LEG OF CALHOUN STREET SHALL BE CLOSED THROUGH STAGE 3A.
6. TEMPORARY PAVEMENT (VARIABLE DEPTH) CONSTRUCTION SHALL BE COMPLETED USING HIGHWAY STANDARD 701201.

STAGE 2B

CONSTRUCTION

1. CONSTRUCT PROPOSED US 52 CAUSEWAY NORTH/EASTBOUND PAVEMENT FROM STA 1546+00 TO STA 1555+69.
2. REMOVE TEMPORARY PAVEMENT AND REPLACE CURB AND GUTTER AND DRIVEWAY APRONS FROM STA 703+00 TO STA 709+73.
3. REMOVE TEMPORARY PAVEMENT AND CONSTRUCT PROPOSED US 52/IL 64/IL 84 SOUTHBOUND LANE FROM STA 705+40 TO STA 716+55.
4. CONSTRUCT PROPOSED IL 84 NORTHBOUND PAVEMENT FROM STA 725+00 TO 730+95.
5. CONSTRUCT PROPOSED IL 84 SOUTHBOUND PAVEMENT FROM STA 705+40 TO STA 716+55.

TRAFFIC

1. US 52 CAUSEWAY TRAFFIC SHALL BE MAINTAINED FROM STA 1543+17 TO 1559+18 USING HIGHWAY STANDARD 701316.
2. US 52/IL 64/IL 84 SHALL BE MAINTAINED FROM STA 702+97 TO 712+14 USING HIGHWAY STANDARD 701316.
3. IL 84 TRAFFIC SHALL BE MAINTAINED FROM STA 722+93 TO 731+86 USING HIGHWAY STANDARD 701316.

STAGE 3A

CONSTRUCTION

1. CONSTRUCT PROPOSED US 52 CAUSEWAY NORTH/EASTBOUND PAVEMENT FROM STA 1555+68 TO STA 1560+62.
2. CONSTRUCT PROPOSED US 52 CAUSEWAY SOUTH/WESTBOUND PAVEMENT FROM STA 1557+77 TO STA 1560+62.
3. CONSTRUCT PROPOSED IL 84 SOUTHBOUND LANE FROM STA 718+00 TO STA 728+90.

TRAFFIC

1. US 52 CAUSEWAY TRAFFIC SHALL BE MAINTAINED FROM STA 1553+40 TO 1560+20 HIGHWAY STANDARD 701316.
2. IL 84 SHALL BE MAINTAINED FROM STA 720+44 TO 731+85 USING HIGHWAY STANDARD 701316.

STAGE 3B

CONSTRUCTION

1. CONSTRUCT PROPOSED US 52 CAUSEWAY SOUTH/WESTBOUND PAVEMENT & SCENIC OVERLOOK FROM STA 1555+68 TO STA 1560+05.
2. CONSTRUCT IL 84 INTERSECTION FROM STA 716+55 TO 718+00.
3. REMOVE TEMPORARY DRAINAGE, AND GRADE DETENTION POND.
4. EXISTING BRIDGE DEMOLITION SHALL TAKE PLACE BETWEEN OCT 1 AND MARCH 31.
5. PERMANENT LANDSCAPING ITEMS SHALL BE COMPLETED AFTER PROPOSED PAVEMENT CONSTRUCTION IS FINISHED.

TRAFFIC

1. US 52 TRAFFIC SHALL BE SHIFTED FROM EXISTING BRIDGE TO PROPOSED BRIDGE.
2. THE EXISTING BRIDGE SHALL BE CLOSED AS SHOWN.
3. US 52 CAUSEWAY TRAFFIC SHALL BE MAINTAINED FROM STA 1547+77 TO 1553+83 USING HIGHWAY STANDARD 701331 AND FROM STA 1553+83 TO 1560+35 USING HIGHWAY STANDARD 701316.
4. IL 84 TRAFFIC SHALL BE MAINTAINED FROM STA 711+00 TO 724+00 USING HIGHWAY STANDARD 701331.

MAINTENANCE OF TRAFFIC SCHEDULE

Stage	Work Zone	2015					2016					2017					2018				
		AUG	SEP	OCT	NOV	DEC	JAN	FEB	MAR	APR	MAY	JUN	JUL	AUG	SEP	OCT	NOV	DEC	JAN	FEB	MAR
Prestage-3B	Proposed Bridge																				
Prestage	Causeway - North/Eastbound Embankment																				
	Mid Section IL 84 - SB Temp Pavement																				
	Randolph & Calhoun Street Reconstruction																				
1	Causeway - South/Westbound Embankment																				
	IL 84 Retaining Wall																				
	South Section IL 84 - SB Temp Pavement																				
2A	Causeway - North/Eastbound Pavement																				
	South Section IL 84 - NB Pavement																				
	Mid Section IL 84 - NB Pavement																				
2B	Causeway - South/Westbound Pavement																				
	North Section IL 84 - NB Pavement																				
	South Section IL 84 - SB Pavement																				
3A	Mid Section IL 84 - SB Pavement																				
	Causeway - North/Eastbound Pavement																				
	North Section IL 84 - SB Pavement																				
3B	Causeway - South/Westbound Pavement																				
	IL 84 Intersection																				
	Existing Bridge Demolition																				
	Landscaping & Punchlist																				

NOTES:

1. CONSTRUCTION SCHEDULE REQUIRES THAT IL 84 & US 52/IL-64/IL 84 PAVEMENT BE COMPLETED IN ONE CONSTRUCTION SEASON. THE USE OF TEMPORARY MAINTENANCE OF TRAFFIC CONDITIONS SHALL NOT BE ALLOWED BETWEEN THE DATES OF NOVEMBER 30TH AND MARCH 15TH.

2. SUFFICIENT TIME AS DETERMINED BY THE ENGINEER SHALL PASS BETWEEN THE CONSTRUCTION OF US 52 CAUSEWAY EMBANKMENT AND THE CONSTRUCTION OF ANY PAVEMENT ON THE PROPOSED US 52 CAUSEWAY TO ALLOW FOR SETTLEMENT.

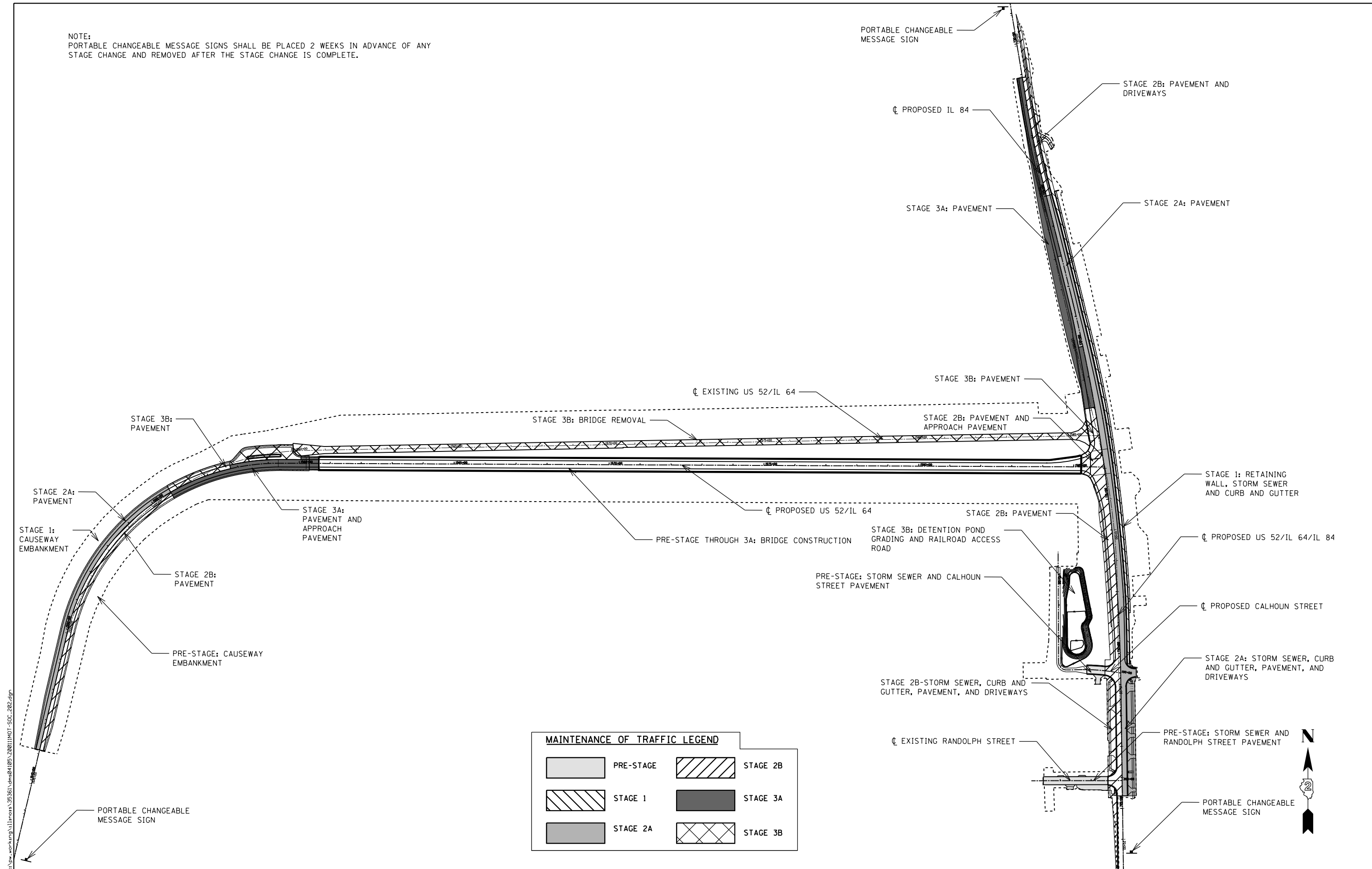
3. ANY MODIFICATIONS TO THE SUGGESTED SCHEDULE SHALL TAKE INTO ACCOUNT THE COMPLETION OF THE PROPOSED US-52 BRIDGE.

4. STATIONS GIVEN IN MAINTENANCE OF TRAFFIC SEQUENCE OF CONSTRUCTION ARE APPROXIMATE. SEE MAINTENANCE OF TRAFFIC PLANS FOR EXACT LOCATIONS.

FILE NAME = c:\p\work\king\illinois\35361\dm04105\20011101-500-201.dgn

USER NAME = 35361	DESIGNED - RB	REVISED -	STATE OF ILLINOIS DEPARTMENT OF TRANSPORTATION	MAINTENANCE OF TRAFFIC SEQUENCE OF CONSTRUCTION	F.A.P. RTE. 17	SECTION 104B-2	COUNTY CARROLL/JACKSON	TOTAL SHEETS 528	SHEET NO. 81		
PLOT SCALE = 2.0000' / in.	CHECKED - JC	REVISED -			SCALE: N/A	SHEET 1 OF 2 SHEETS	STA.	TO STA.	CONTRACT NO. 64G59		
PLOT DATE = 3/20/2015	DATE - 03-12-2015	REVISED -			FED. ROAD DIST. NO. ILLINOIS FED. AID PROJECT						

NOTE:
PORTABLE CHANGEABLE MESSAGE SIGNS SHALL BE PLACED 2 WEEKS IN ADVANCE OF ANY STAGE CHANGE AND REMOVED AFTER THE STAGE CHANGE IS COMPLETE.



FILE NAME = c:\pva\working\illinois\35361\dm\04105\20011\DOT-50C-202.dgn

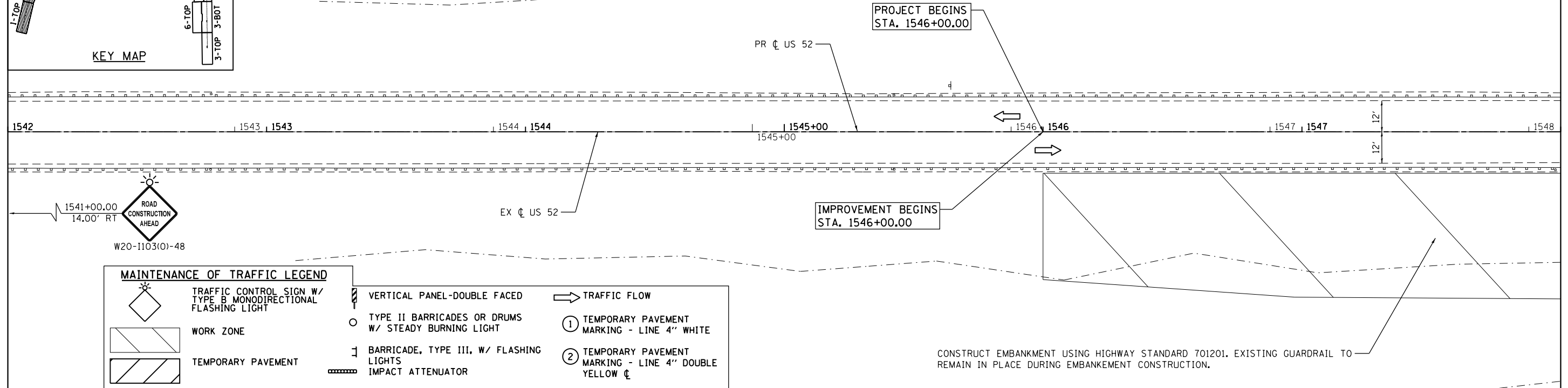
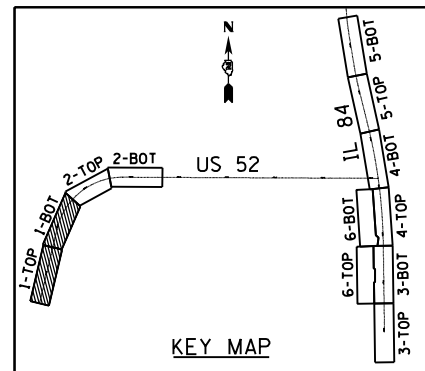
USER NAME = 35361	DESIGNED - RB	REVISED -
DRAWN - RB	REVISIONS -	
PLOT SCALE = 280.0000' / in.	CHECKED - JC	REVISIONS -
PLOT DATE = 3/20/2015	DATE - 03-12-2015	REVISIONS -

**STATE OF ILLINOIS
DEPARTMENT OF TRANSPORTATION**

**MAINTENANCE OF TRAFFIC
STAGE OVERVIEW AND ADVANCED SIGNING**

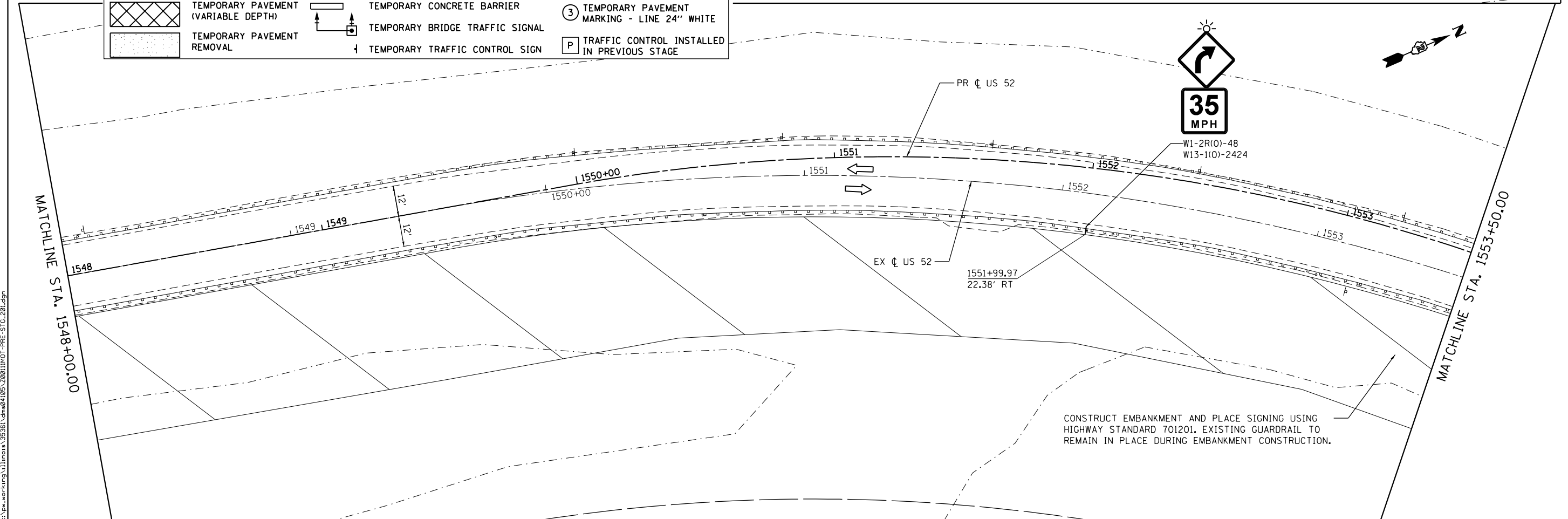
SCALE: N/A SHEET 2 OF 2 SHEETS STA. TO STA.

F.A.P. RTE.	SECTION	COUNTY	TOTAL SHEETS	SHEET NO.
17	104B-2	CARROLL/JACKSON	528	82
CONTRACT NO. 64G59				
FED. ROAD DIST. NO. ILLINOIS FED. AID PROJECT				



MAINTENANCE OF TRAFFIC LEGEND

	TRAFFIC CONTROL SIGN W/ TYPE B MONODIRECTIONAL FLASHING LIGHT		VERTICAL PANEL-DOUBLE FACED		TRAFFIC FLOW
	WORK ZONE		TYPE II BARRICADES OR DRUMS W/ STEADY BURNING LIGHT		① TEMPORARY PAVEMENT MARKING - LINE 4" WHITE
	TEMPORARY PAVEMENT		BARRICADE, TYPE III, W/ FLASHING LIGHTS		② TEMPORARY PAVEMENT MARKING - LINE 4" DOUBLE YELLOW C
	TEMPORARY PAVEMENT (VARIABLE DEPTH)		IMPACT ATTENUATOR		③ TEMPORARY PAVEMENT MARKING - LINE 24" WHITE
	TEMPORARY PAVEMENT REMOVAL		TEMPORARY CONCRETE BARRIER		P TRAFFIC CONTROL INSTALLED IN PREVIOUS STAGE
	TEMPORARY BRIDGE TRAFFIC SIGNAL		TEMPORARY TRAFFIC CONTROL SIGN		



FILE NAME = c:\p\work\king\illinois\35361\dm\04105\20011101-PRF-STG-201.dgn

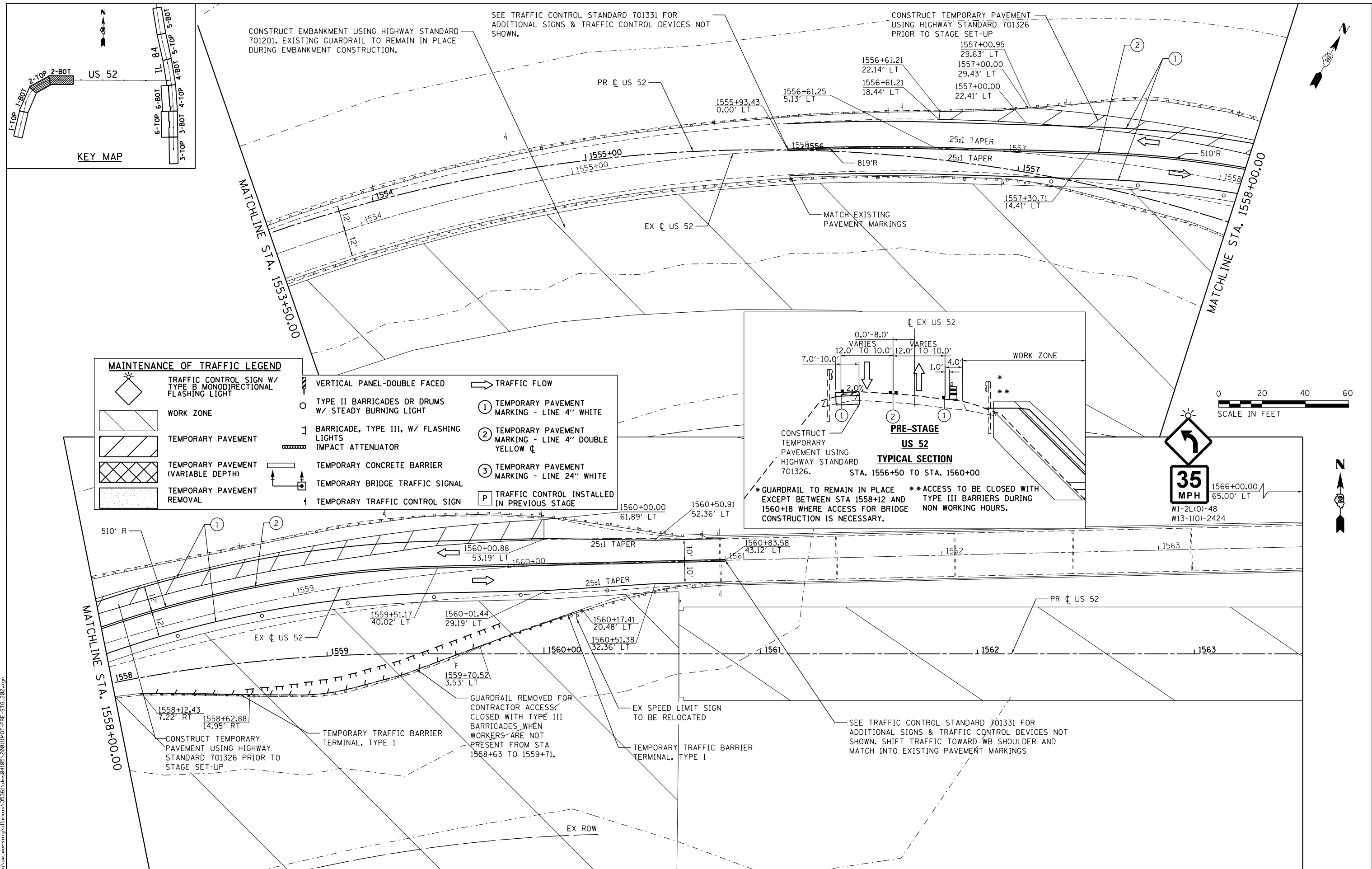
USER NAME = 35361	DESIGNED - RB	REVISED -
DRAWN - RB	REVISED -	
PLOT SCALE = 40.0000' / in.	CHECKED - JC	REVISED -
PLOT DATE = 3/20/2015	DATE - 03-12-2015	REVISED -

**STATE OF ILLINOIS
DEPARTMENT OF TRANSPORTATION**

**MAINTENANCE OF TRAFFIC
PRE-STAGE**

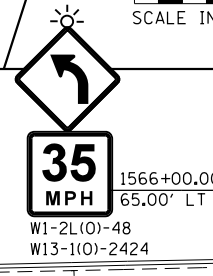
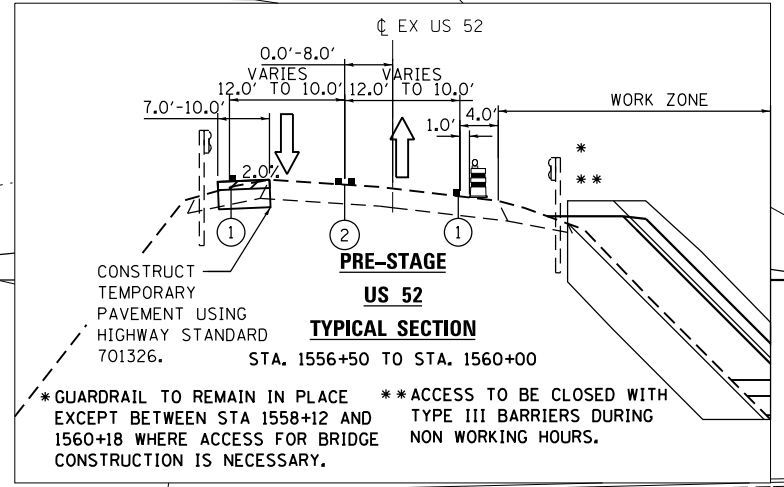
SCALE: 1"=20' SHEET 1 OF 6 SHEETS STA. 1542+00 TO STA. 1553+50

F.A.P. RTE.	SECTION	COUNTY	TOTAL SHEETS	SHEET NO.
17	104B-2	CARROLL/JACKSON	528	83
CONTRACT NO. 64G59				
FED. ROAD DIST. NO. ILLINOIS FED. AID PROJECT				



MAINTENANCE OF TRAFFIC LEGEND

	TRAFFIC CONTROL SIGN W/ TYPE B MONODIRECTIONAL FLASHING LIGHT		VERTICAL PANEL-DOUBLE FACED		TRAFFIC FLOW
	WORK ZONE		TYPE II BARRICADES OR DRUMS W/ STEADY BURNING LIGHT		① TEMPORARY PAVEMENT MARKING - LINE 4" WHITE
	TEMPORARY PAVEMENT		BARRICADE, TYPE III, W/ FLASHING LIGHTS		② TEMPORARY PAVEMENT MARKING - LINE 4" DOUBLE YELLOW C
	TEMPORARY PAVEMENT (VARIABLE DEPTH)		IMPACT ATTENUATOR		③ TEMPORARY PAVEMENT MARKING - LINE 24" WHITE
	TEMPORARY PAVEMENT REMOVAL		TEMPORARY CONCRETE BARRIER		P TRAFFIC CONTROL INSTALLED IN PREVIOUS STAGE
			TEMPORARY BRIDGE TRAFFIC SIGNAL		
			TEMPORARY TRAFFIC CONTROL SIGN		



FILE NAME = c:\pwworking\illinois\35361\dm04105\20011101-PRF-STG-202.dgn

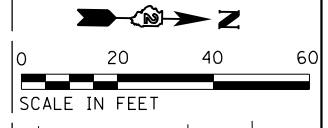
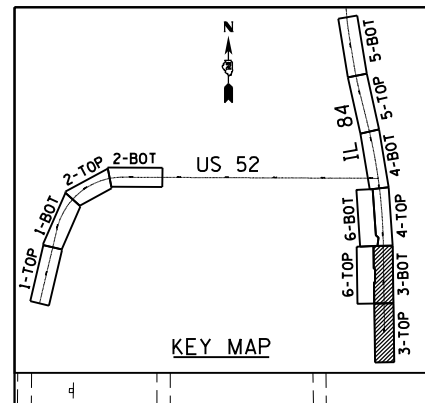
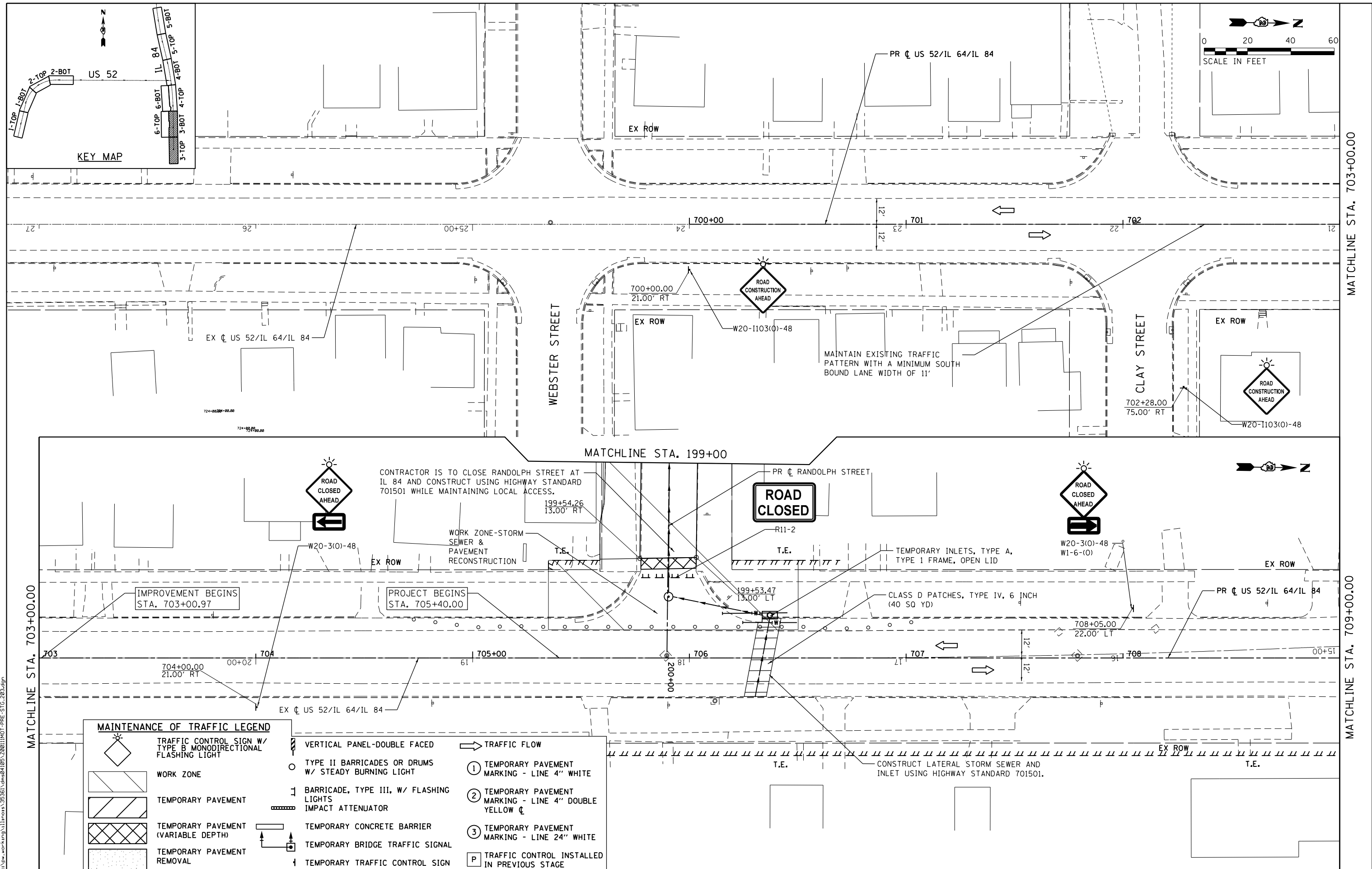
USER NAME = 35361	DESIGNED - RB	REVISED -
PLOT SCALE = 40.0000' / in.	DRAWN - RB	REVISED -
PLOT DATE = 3/20/2015	CHECKED - JC	REVISED -
	DATE - 03-12-2015	REVISED -

**STATE OF ILLINOIS
DEPARTMENT OF TRANSPORTATION**

**MAINTENANCE OF TRAFFIC
PRE-STAGE**

SCALE: 1"=20' SHEET 2 OF 6 SHEETS STA. 1553+50 TO STA. 1563+50

F.A.P. RTE.	SECTION	COUNTY	TOTAL SHEETS	SHEET NO.
17	104B-2	CARROLL/JACKSON	528	84
CONTRACT NO. 64G59				
FED. ROAD DIST. NO. ILLINOIS FED. AID PROJECT				



MAINTENANCE OF TRAFFIC LEGEND

	TRAFFIC CONTROL SIGN W/ TYPE B MONODIRECTIONAL FLASHING LIGHT		VERTICAL PANEL-DOUBLE FACED		TRAFFIC FLOW
	WORK ZONE		TYPE II BARRICADES OR DRUMS W/ STEADY BURNING LIGHT		① TEMPORARY PAVEMENT MARKING - LINE 4" WHITE
	TEMPORARY PAVEMENT		BARRICADE, TYPE III, W/ FLASHING LIGHTS IMPACT ATTENUATOR		② TEMPORARY PAVEMENT MARKING - LINE 4" DOUBLE YELLOW C
	TEMPORARY PAVEMENT (VARIABLE DEPTH)		TEMPORARY CONCRETE BARRIER		③ TEMPORARY PAVEMENT MARKING - LINE 24" WHITE
	TEMPORARY PAVEMENT REMOVAL		TEMPORARY BRIDGE TRAFFIC SIGNAL		P TRAFFIC CONTROL INSTALLED IN PREVIOUS STAGE
			TEMPORARY TRAFFIC CONTROL SIGN		

USER NAME = 35361	DESIGNED - RB	REVISED -
	DRAWN - RB	REVISED -
PLOT SCALE = 48.0000' / in.	CHECKED - JC	REVISED -
PLOT DATE = 3/20/2015	DATE - 03-12-2015	REVISED -

**STATE OF ILLINOIS
DEPARTMENT OF TRANSPORTATION**

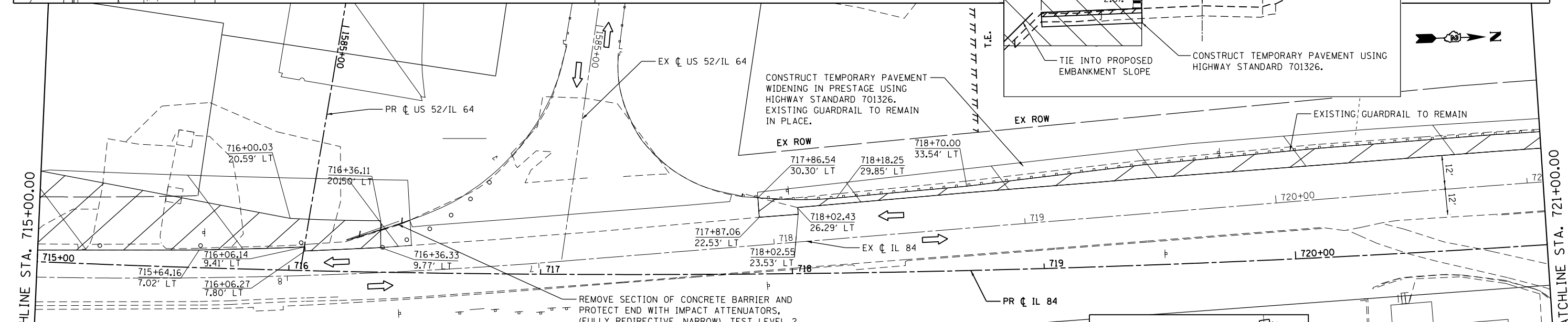
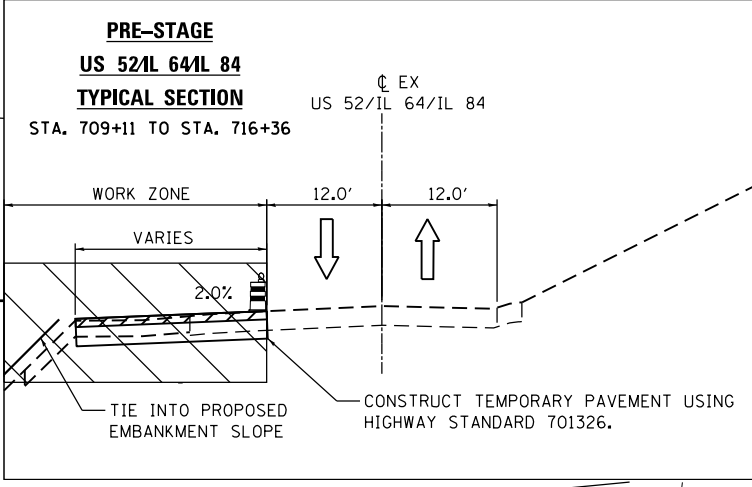
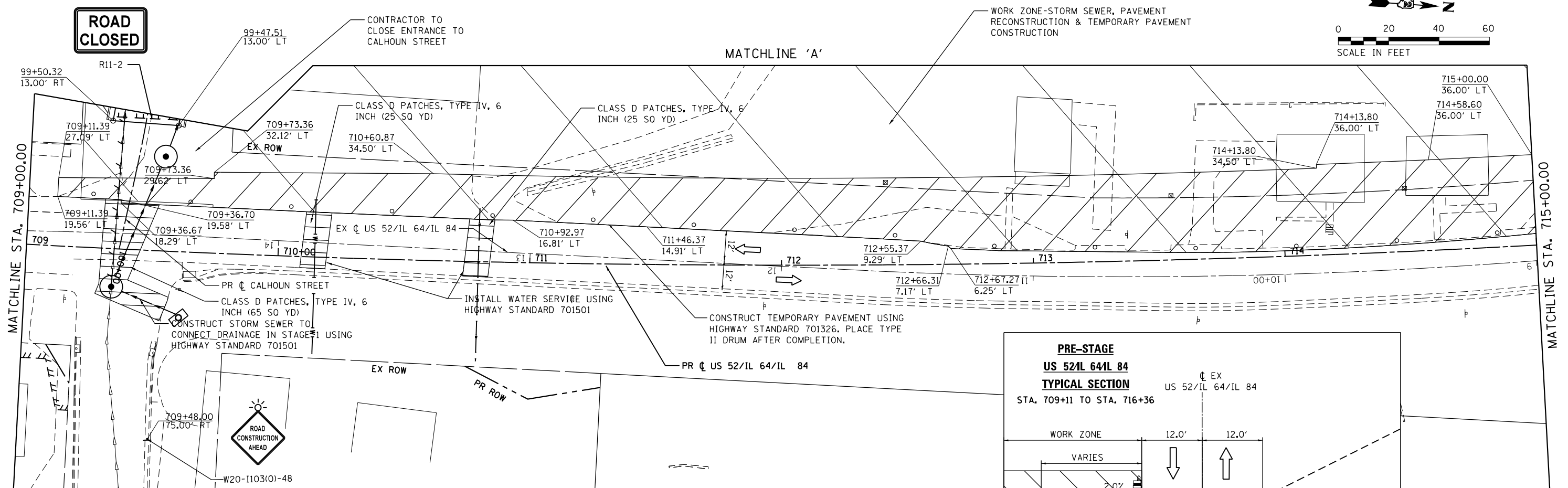
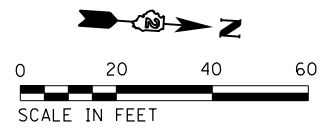
**MAINTENANCE OF TRAFFIC
PRE-STAGE**

SCALE: 1"=20' SHEET 3 OF 6 SHEETS STA. 700+00 TO STA. 709+00

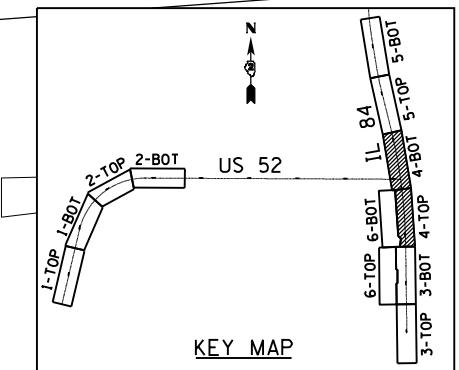
F.A.P. RTE.	SECTION	COUNTY	TOTAL SHEETS	SHEET NO.
17	104B-2	CARROLL/JACKSON	528	85
CONTRACT NO. 64G59				
FED. ROAD DIST. NO. ILLINOIS FED. AID PROJECT				

FILE NAME = c:\p\work\king\11\mona\35361\dm\04105\20011101-PRF-STG-203.dgn

ROAD CLOSED



MAINTENANCE OF TRAFFIC LEGEND	
	TRAFFIC CONTROL SIGN W/ TYPE B MONODIRECTIONAL FLASHING LIGHT
	WORK ZONE
	TEMPORARY PAVEMENT
	TEMPORARY PAVEMENT (VARIABLE DEPTH)
	TEMPORARY PAVEMENT REMOVAL
	VERTICAL PANEL-DOUBLE FACED
	TYPE II BARRICADES OR DRUMS W/ STEADY BURNING LIGHT
	BARRICADE, TYPE III, W/ FLASHING LIGHTS IMPACT ATTENUATOR
	TEMPORARY CONCRETE BARRIER
	TEMPORARY BRIDGE TRAFFIC SIGNAL
	TEMPORARY TRAFFIC CONTROL SIGN
	TRAFFIC FLOW
	1 TEMPORARY PAVEMENT MARKING - LINE 4" WHITE
	2 TEMPORARY PAVEMENT MARKING - LINE 4" DOUBLE YELLOW C
	3 TEMPORARY PAVEMENT MARKING - LINE 24" WHITE
	P TRAFFIC CONTROL INSTALLED IN PREVIOUS STAGE



FILE NAME = c:\p\work\king\illinois\35361\dm\04105\20011101-PRF-STG-204.dgn

USER NAME = 35361	DESIGNED - RB	REVISED -
	DRAWN - RB	REVISED -
PLOT SCALE = 48.0000' / in.	CHECKED - JC	REVISED -
PLOT DATE = 3/20/2015	DATE - 03-12-2015	REVISED -

**STATE OF ILLINOIS
DEPARTMENT OF TRANSPORTATION**

**MAINTENANCE OF TRAFFIC
PRE-STAGE**

SCALE: 1"=20' SHEET 4 OF 6 SHEETS STA. 709+00 TO STA. 721+00

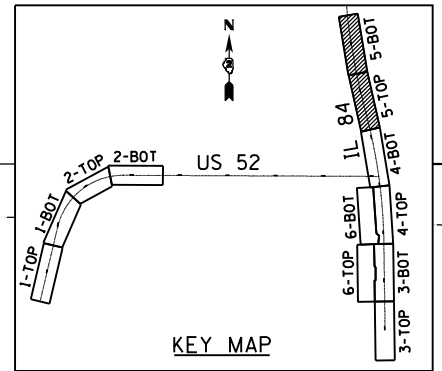
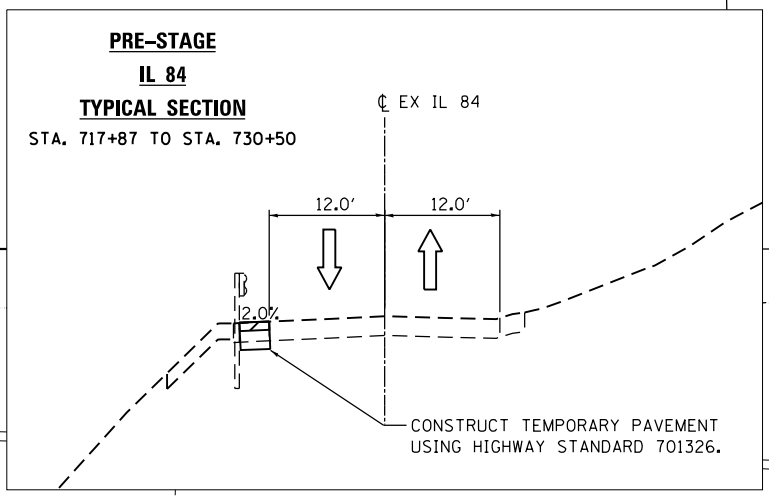
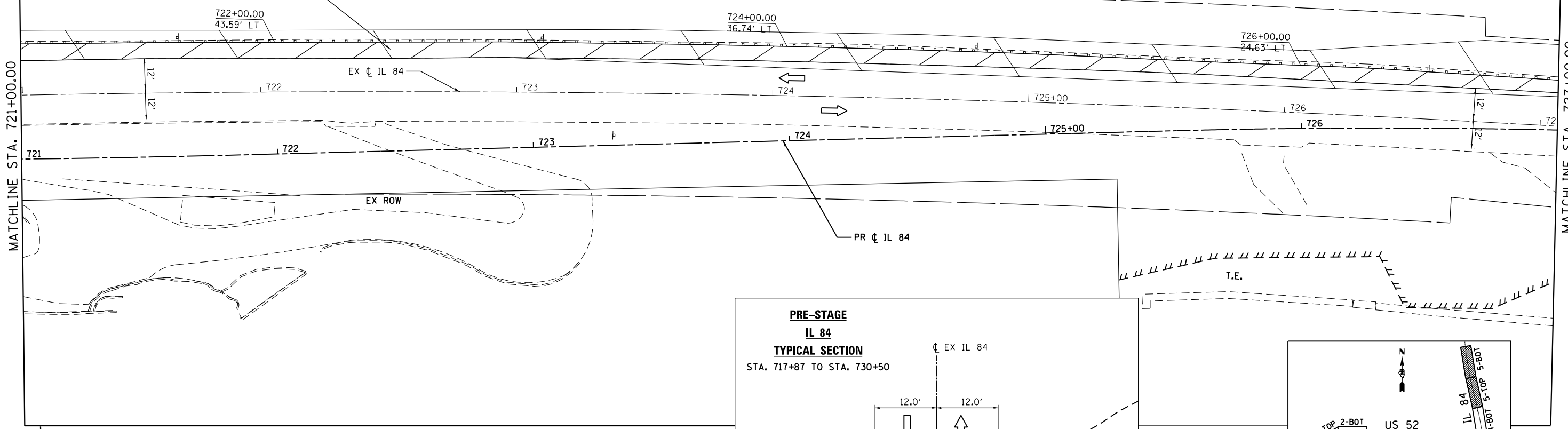
F.A.P. RTE. 17	SECTION 104B-2	COUNTY CARROLL/JACKSON	TOTAL SHEETS 528	SHEET NO. 86
FED. ROAD DIST. NO. ILLINOIS FED. AID PROJECT			CONTRACT NO. 64G59	

CONSTRUCT TEMPORARY PAVEMENT WIDENING IN PRESTAGE USING HIGHWAY STANDARD 701326. EXISTING GUARDRAIL TO REMAIN IN PLACE.



MATCHLINE STA. 721+00.00

MATCHLINE STA. 727+00.00

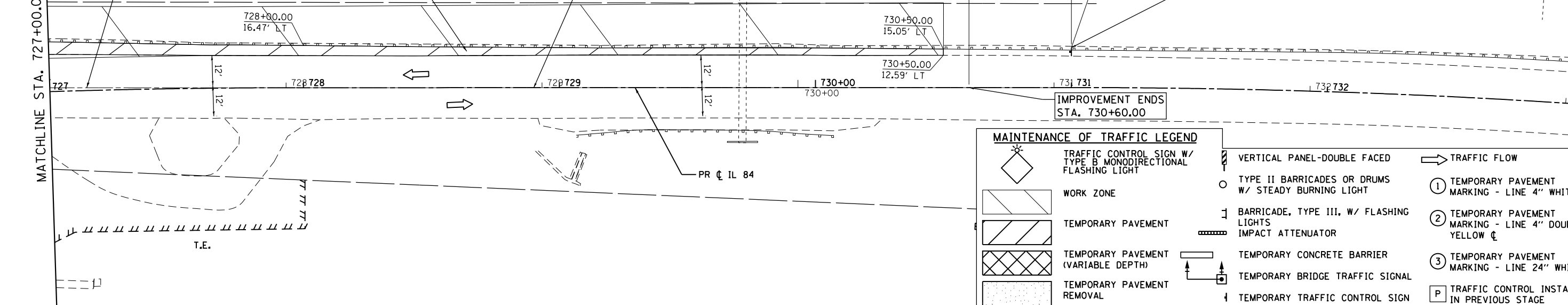


MATCHLINE STA. 727+00.00

CONSTRUCT TEMPORARY PAVEMENT WIDENING IN PRESTAGE USING HIGHWAY STANDARD 701326. EXISTING GUARDRAIL TO REMAIN IN PLACE.

PROJECT ENDS STA. 728+90.00

IMPROVEMENT ENDS STA. 730+60.00



MAINTENANCE OF TRAFFIC LEGEND		TRAFFIC FLOW	
	TRAFFIC CONTROL SIGN W/ TYPE B MONODIRECTIONAL FLASHING LIGHT		VERTICAL PANEL-DOUBLE FACED
	WORK ZONE		TYPE II BARRICADES OR DRUMS W/ STEADY BURNING LIGHT
	TEMPORARY PAVEMENT		BARRICADE, TYPE III, W/ FLASHING LIGHTS IMPACT ATTENUATOR
	TEMPORARY PAVEMENT (VARIABLE DEPTH)		TEMPORARY CONCRETE BARRIER
	TEMPORARY PAVEMENT REMOVAL		TEMPORARY BRIDGE TRAFFIC SIGNAL
			TEMPORARY TRAFFIC CONTROL SIGN
			TRAFFIC FLOW
			① TEMPORARY PAVEMENT MARKING - LINE 4" WHITE
			② TEMPORARY PAVEMENT MARKING - LINE 4" DOUBLE YELLOW CL
			③ TEMPORARY PAVEMENT MARKING - LINE 24" WHITE
			P TRAFFIC CONTROL INSTALLED IN PREVIOUS STAGE

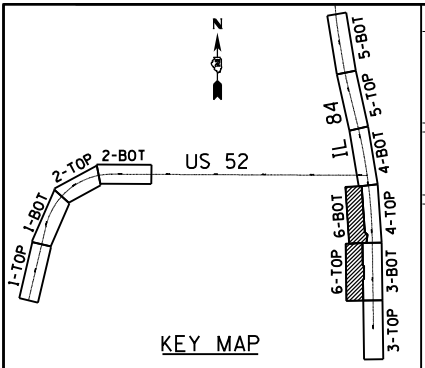
FILE NAME = c:\p\work\king\11\monr\35361\dmr\04105\20011\DOT-PRF-STG-205.dgn

USER NAME = 35361	DESIGNED - RB	REVISED -
DRAWN - RB	CHECKED - JC	REVISED -
PLOT SCALE = 48.0000' / in.	DATE - 03-12-2015	REVISED -
PLOT DATE = 3/20/2015		

STATE OF ILLINOIS
DEPARTMENT OF TRANSPORTATION

MAINTENANCE OF TRAFFIC PRE-STAGE	
SCALE: 1"=20'	SHEET 5 OF 6 SHEETS STA. 721+00 TO STA. 733+00

F.A.P. RTE.	SECTION	COUNTY	TOTAL SHEETS	SHEET NO.
17	104B-2	CARROLL/JACKSON	528	87
CONTRACT NO. 64G59				
FED. ROAD DIST. NO. ILLINOIS FED. AID PROJECT				

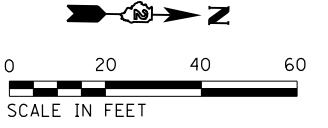


KEY MAP



W20-3(0)-48 & R11-2 SIGNS TO BE PLACED SOUTH OF RAILROAD CROSSING ON BOAT RAMP DRIVE.

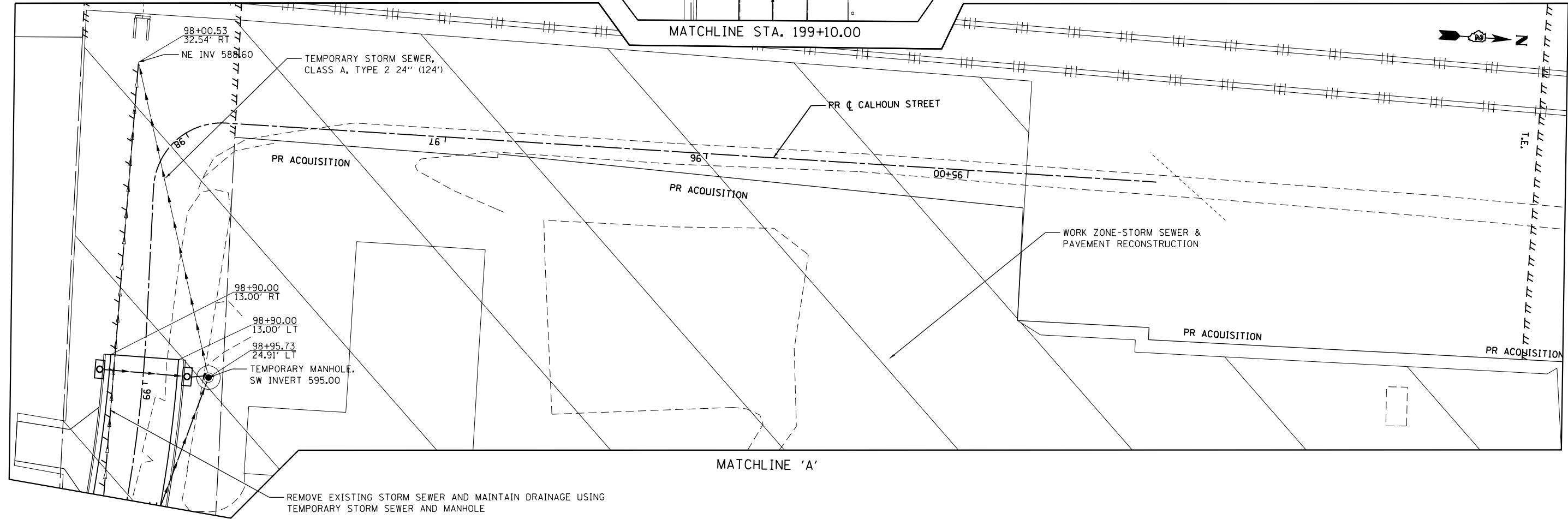
ROAD CLOSED TO THRU TRAFFIC



CONTRACTOR IS TO CLOSE RANDOLPH STREET AT IL 84 AND CONSTRUCT USING HIGHWAY STANDARD 701501 WHILE MAINTAINING LOCAL ACCESS.

MAINTENANCE OF TRAFFIC LEGEND			
	TRAFFIC CONTROL SIGN W/ TYPE B MONODIRECTIONAL FLASHING LIGHT		TRAFFIC FLOW
	WORK ZONE		① TEMPORARY PAVEMENT MARKING - LINE 4" WHITE
	TEMPORARY PAVEMENT		② TEMPORARY PAVEMENT MARKING - LINE 4" DOUBLE YELLOW C
	TEMPORARY PAVEMENT (VARIABLE DEPTH)		③ TEMPORARY PAVEMENT MARKING - LINE 24" WHITE
	TEMPORARY PAVEMENT REMOVAL		P TRAFFIC CONTROL INSTALLED IN PREVIOUS STAGE
	VERTICAL PANEL-DOUBLE FACED		○ TYPE II BARRICADES OR DRUMS W/ STEADY BURNING LIGHT
	BARRICADE, TYPE III, W/ FLASHING LIGHTS		▬ IMPACT ATTENUATOR
	TEMPORARY CONCRETE BARRIER		⬆ TEMPORARY BRIDGE TRAFFIC SIGNAL
	TEMPORARY TRAFFIC CONTROL SIGN		

MATCHLINE STA. 199+10.00



FILE NAME = c:\p\work\king\illinois\35361\dm\04105\20011101-PRF-STG-206.dgn

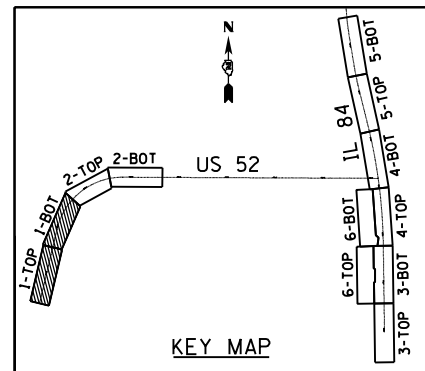
USER NAME = 35361	DESIGNED - RB	REVISED -
	DRAWN - RB	REVISED -
PLOT SCALE = 40.0000' / in.	CHECKED - JC	REVISED -
PLOT DATE = 3/20/2015	DATE - 03-12-2015	REVISED -

STATE OF ILLINOIS
DEPARTMENT OF TRANSPORTATION

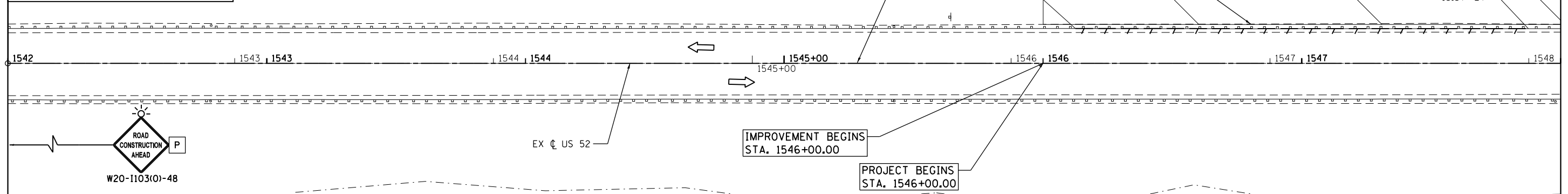
MAINTENANCE OF TRAFFIC
PRE-STAGE

SCALE: 1"=20' SHEET 6 OF 6 SHEETS STA. TO STA.

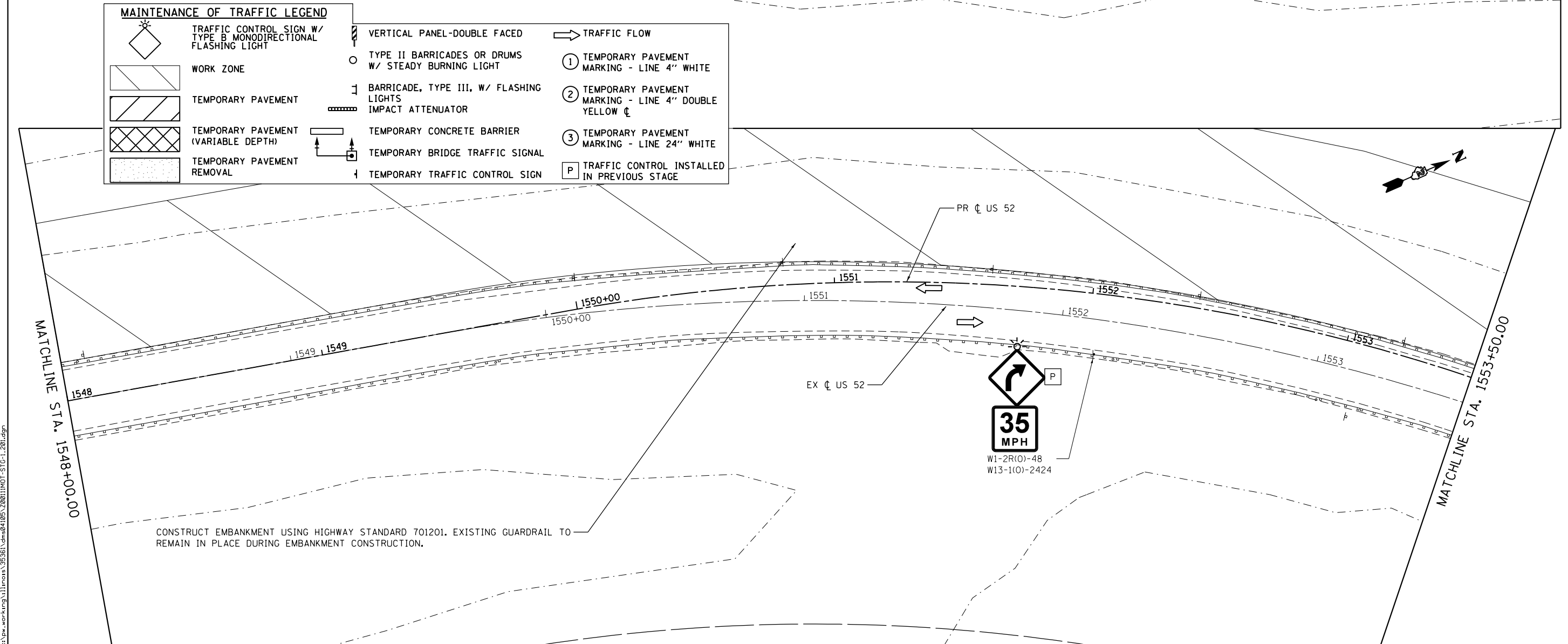
F.A.P. RTE.	SECTION	COUNTY	TOTAL SHEETS	SHEET NO.
17	104B-2	CARROLL/JACKSON	528	88
CONTRACT NO. 64G59				
FED. ROAD DIST. NO. ILLINOIS FED. AID PROJECT				



LONG-SPAN GUARDRAIL OVER CULVERT, 25 FT SPAN HAS BEEN INCLUDED TO PROVIDE CONTRACTOR ACCESS TO WEST EMBANKMENT. REPLACE EXISTING GUARDRAIL AT LOCATIONS SHOWN ON THE PLAN AND CONSTRUCT EMBANKMENT USING HIGHWAY STANDARD 701201. CONTRACTOR SHALL ONLY REMOVE 25' SECTION OF LONG-SPAN GUARDRAIL FOR ACCESS WHILE FLAGGERS ARE PRESENT. REMAINING GUARDRAIL SHALL BE LEFT IN PLACE DURING EMBANKMENT CONSTRUCTION. THE COST OF REMOVING AND REINSTALLING THE SPAN PORTION TO PROVIDE ACCESS SHALL BE INCLUDED IN THE COST OF LONG-SPAN GUARDRAIL OVER CULVERT, 25 FT SPAN.



MAINTENANCE OF TRAFFIC LEGEND		
	TRAFFIC CONTROL SIGN W/ TYPE B MONODIRECTIONAL FLASHING LIGHT	
	WORK ZONE	
	TEMPORARY PAVEMENT	
	TEMPORARY PAVEMENT (VARIABLE DEPTH)	
	TEMPORARY PAVEMENT REMOVAL	
	VERTICAL PANEL-DOUBLE FACED	
	TYPE II BARRICADES OR DRUMS W/ STEADY BURNING LIGHT	
	BARRICADE, TYPE III, W/ FLASHING LIGHTS	
	IMPACT ATTENUATOR	
	TEMPORARY CONCRETE BARRIER	
	TEMPORARY BRIDGE TRAFFIC SIGNAL	
	TEMPORARY TRAFFIC CONTROL SIGN	



CONSTRUCT EMBANKMENT USING HIGHWAY STANDARD 701201. EXISTING GUARDRAIL TO REMAIN IN PLACE DURING EMBANKMENT CONSTRUCTION.

FILE NAME = c:\p\work\king\illinois\35361\dm04105\20011101-STG-1-201.dgn

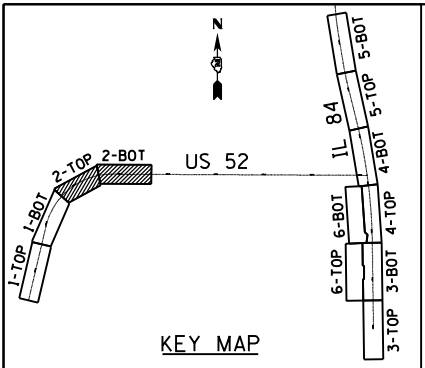
USER NAME = 35361	DESIGNED - RB	REVISED -
DRAWN - RB	REVISIONS -	
PLOT SCALE = 40.0000' / in.	CHECKED - JC	REVISIONS -
PLOT DATE = 3/20/2015	DATE - 03-12-2015	REVISIONS -

STATE OF ILLINOIS
DEPARTMENT OF TRANSPORTATION

MAINTENANCE OF TRAFFIC
STAGE 1

SCALE: 1"=20' SHEET 1 OF 5 SHEETS STA. 1542+00 TO STA. 1553+50

F.A.P. RTE.	SECTION	COUNTY	TOTAL SHEETS	SHEET NO.
17	104B-2	CARROLL/JACKSON	528	89
CONTRACT NO. 64G59				
FED. ROAD DIST. NO. ILLINOIS FED. AID PROJECT				

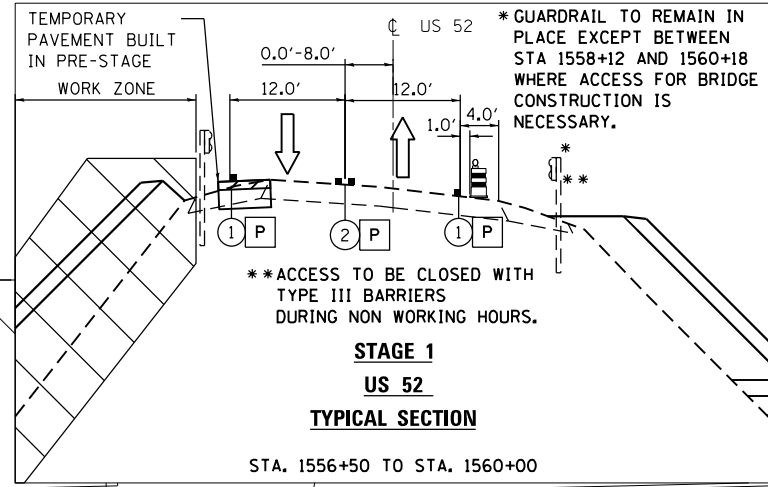


MATCHLINE STA. 1553+50.00

MATCHLINE STA. 1558+00.00

MAINTENANCE OF TRAFFIC LEGEND

- | | | | | | |
|--|---|--|---|--|--|
| | TRAFFIC CONTROL SIGN W/ TYPE B MONODIRECTIONAL FLASHING LIGHT | | VERTICAL PANEL-DOUBLE FACED | | TRAFFIC FLOW |
| | WORK ZONE | | TYPE II BARRICADES OR DRUMS W/ STEADY BURNING LIGHT | | ① TEMPORARY PAVEMENT MARKING - LINE 4" WHITE |
| | TEMPORARY PAVEMENT | | BARRICADE, TYPE III, W/ FLASHING LIGHTS | | ② TEMPORARY PAVEMENT MARKING - LINE 4" DOUBLE YELLOW C |
| | TEMPORARY PAVEMENT (VARIABLE DEPTH) | | IMPACT ATTENUATOR | | ③ TEMPORARY PAVEMENT MARKING - LINE 24" WHITE |
| | TEMPORARY PAVEMENT REMOVAL | | TEMPORARY CONCRETE BARRIER | | P TRAFFIC CONTROL INSTALLED IN PREVIOUS STAGE |
| | | | TEMPORARY BRIDGE TRAFFIC SIGNAL | | |
| | | | TEMPORARY TRAFFIC CONTROL SIGN | | |



LONG-SPAN GUARDRAIL OVER CULVERT, 25 FT SPAN HAS BEEN INCLUDED TO PROVIDE CONTRACTOR ACCESS TO WEST EMBANKMENT. REPLACE EXISTING GUARDRAIL AT LOCATIONS SHOWN ON THE PLAN AND CONSTRUCT EMBANKMENT USING HIGHWAY STANDARD 701201. CONTRACTOR SHALL ONLY REMOVE 25' SECTION OF LONG-SPAN GUARDRAIL FOR ACCESS WHILE FLAGGERS ARE PRESENT. REMAINING GUARDRAIL SHALL BE LEFT IN PLACE DURING EMBANKMENT CONSTRUCTION. THE COST OF REMOVING AND REINSTALLING THE SPAN PORTION TO PROVIDE ACCESS SHALL BE INCLUDED IN THE COST OF LONG-SPAN GUARDRAIL OVER CULVERT, 25 FT SPAN.



MATCHLINE STA. 1558+00.00

CONSTRUCT EMBANKMENT USING HIGHWAY STANDARD 701201. EXISTING GUARDRAIL TO REMAIN IN PLACE DURING EMBANKMENT CONSTRUCTION.

TEMPORARY TRAFFIC BARRIER TERMINAL, TYPE 1 P

CONTRACTOR BRIDGE ACCESS

STA. 1556+50 TO STA. 1560+00

FILE NAME = c:\p\work\king\illinois\35361\dm\04105\20011101-510-1-202.dgn

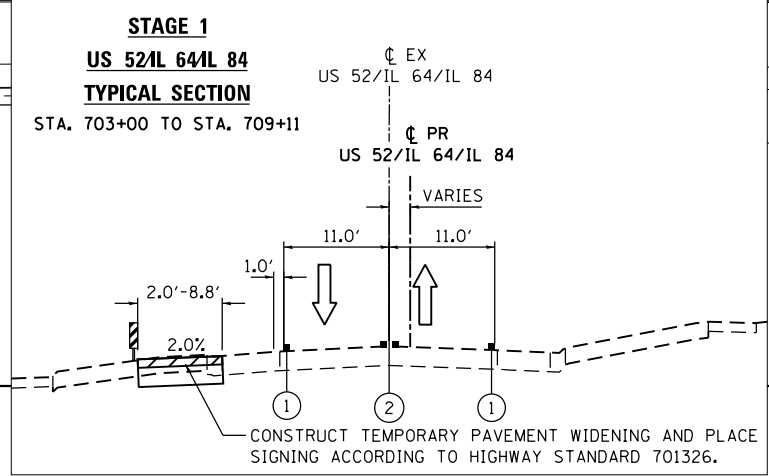
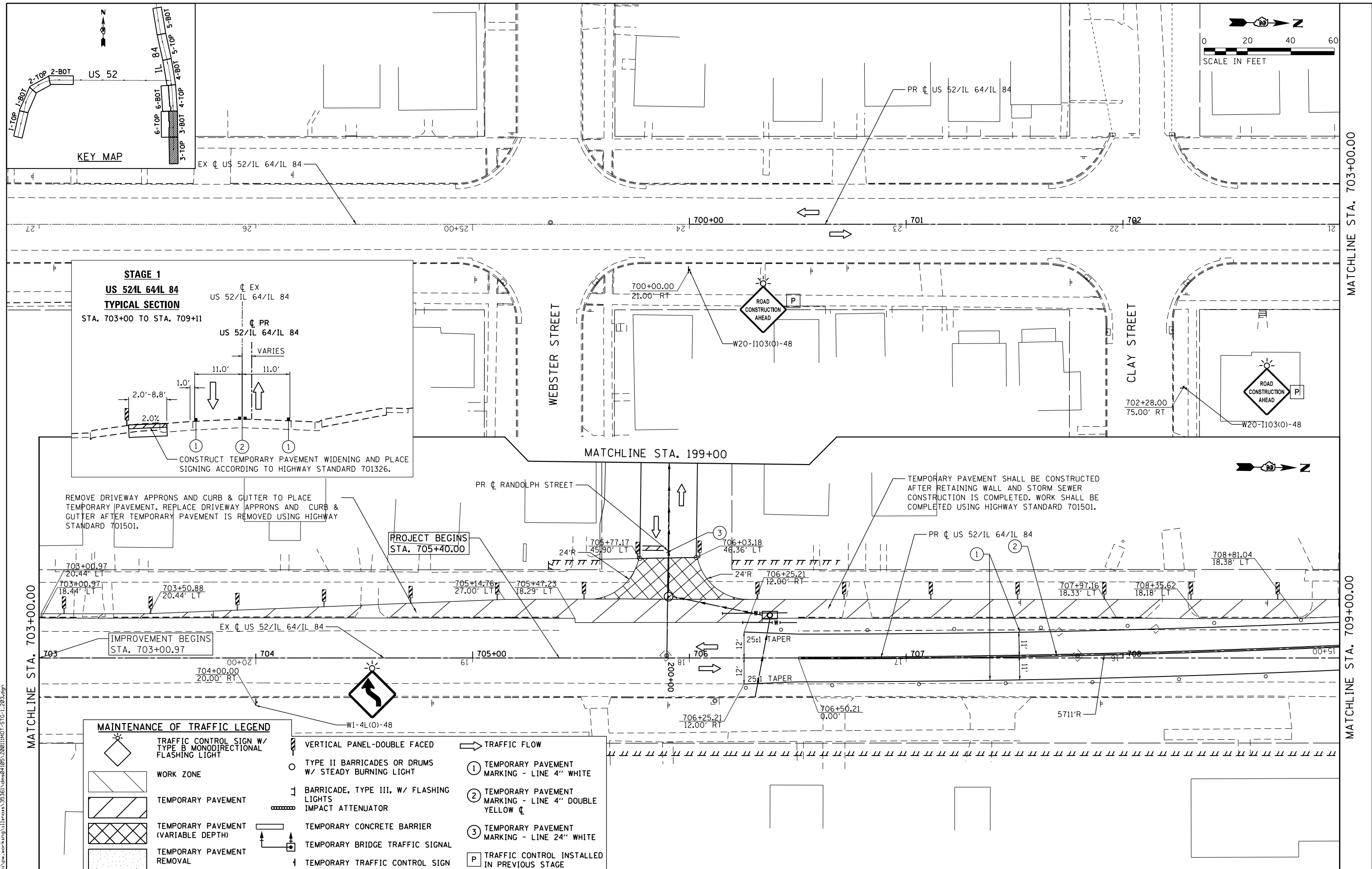
USER NAME = 35361	DESIGNED - RB	REVISED -
DRAWN - RB	REVISIONS -	
PLOT SCALE = 48.0000' / in.	CHECKED - JC	REVISIONS -
PLOT DATE = 3/20/2015	DATE - 03-12-2015	REVISIONS -

STATE OF ILLINOIS
DEPARTMENT OF TRANSPORTATION

SCALE: 1"=20'		SHEET 2 OF 5 SHEETS		STA. 1553+50 TO STA. 1563+50	
---------------	--	---------------------	--	------------------------------	--

MAINTENANCE OF TRAFFIC
STAGE 1

F.A.P. RTE. 17	SECTION 104B-2	COUNTY CARROLL/JACKSON	TOTAL SHEETS 528	SHEET NO. 90
CONTRACT NO. 64G59				
FED. ROAD DIST. NO. ILLINOIS FED. AID PROJECT				



REMOVE DRIVEWAY APRONS AND CURB & GUTTER TO PLACE TEMPORARY PAVEMENT. REPLACE DRIVEWAY APRONS AND CURB & GUTTER AFTER TEMPORARY PAVEMENT IS REMOVED USING HIGHWAY STANDARD 701501.

PROJECT BEGINS
 STA. 705+40.00

IMPROVEMENT BEGINS
 STA. 703+00.97

TEMPORARY PAVEMENT SHALL BE CONSTRUCTED AFTER RETAINING WALL AND STORM SEWER CONSTRUCTION IS COMPLETED. WORK SHALL BE COMPLETED USING HIGHWAY STANDARD 701501.

MAINTENANCE OF TRAFFIC LEGEND

- | | | | | | |
|--|---|--|---|--|---|
| | TRAFFIC CONTROL SIGN W/ TYPE B MONODIRECTIONAL FLASHING LIGHT | | VERTICAL PANEL-DOUBLE FACED | | TRAFFIC FLOW |
| | WORK ZONE | | TYPE II BARRICADES OR DRUMS W/ STEADY BURNING LIGHT | | ① TEMPORARY PAVEMENT MARKING - LINE 4" WHITE |
| | TEMPORARY PAVEMENT | | BARRICADE, TYPE III, W/ FLASHING IMPACT ATTENUATOR | | ② TEMPORARY PAVEMENT MARKING - LINE 4" DOUBLE YELLOW CL |
| | TEMPORARY PAVEMENT (VARIABLE DEPTH) | | TEMPORARY CONCRETE BARRIER | | ③ TEMPORARY PAVEMENT MARKING - LINE 24" WHITE |
| | TEMPORARY PAVEMENT REMOVAL | | TEMPORARY BRIDGE TRAFFIC SIGNAL | | P TRAFFIC CONTROL INSTALLED IN PREVIOUS STAGE |
| | | | TEMPORARY TRAFFIC CONTROL SIGN | | |

USER NAME = 35361	DESIGNED - RB	REVISD -
	DRAWN - RB	REVISD -
PLOT SCALE = 48.0000' / in.	CHECKED - JC	REVISD -
PLOT DATE = 3/20/2015	DATE - 03-12-2015	REVISD -

STATE OF ILLINOIS
DEPARTMENT OF TRANSPORTATION

MAINTENANCE OF TRAFFIC
STAGE 1

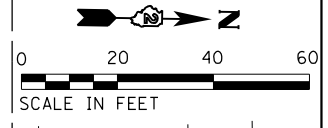
SCALE: 1"=20' SHEET 3 OF 5 SHEETS STA. 700+00 TO STA. 709+00

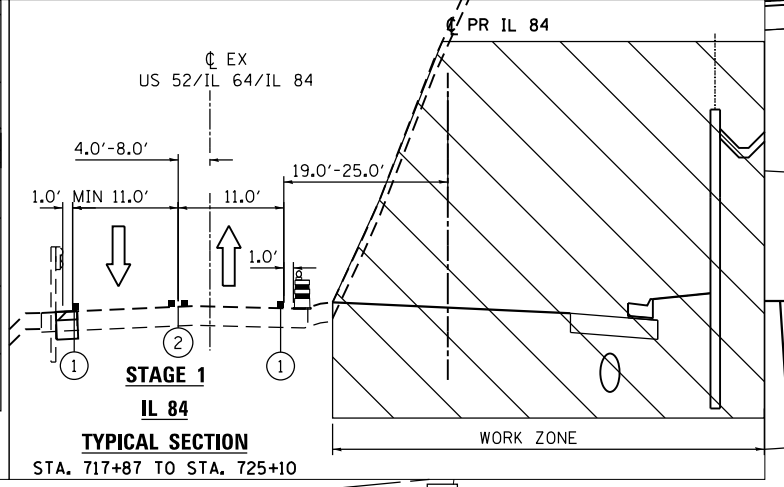
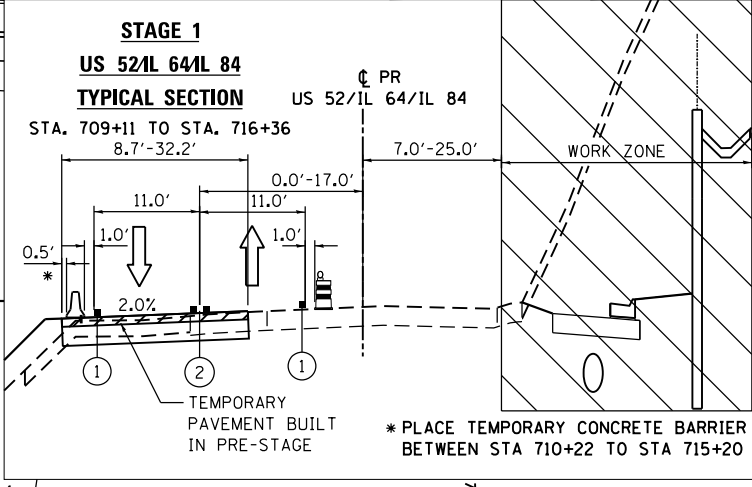
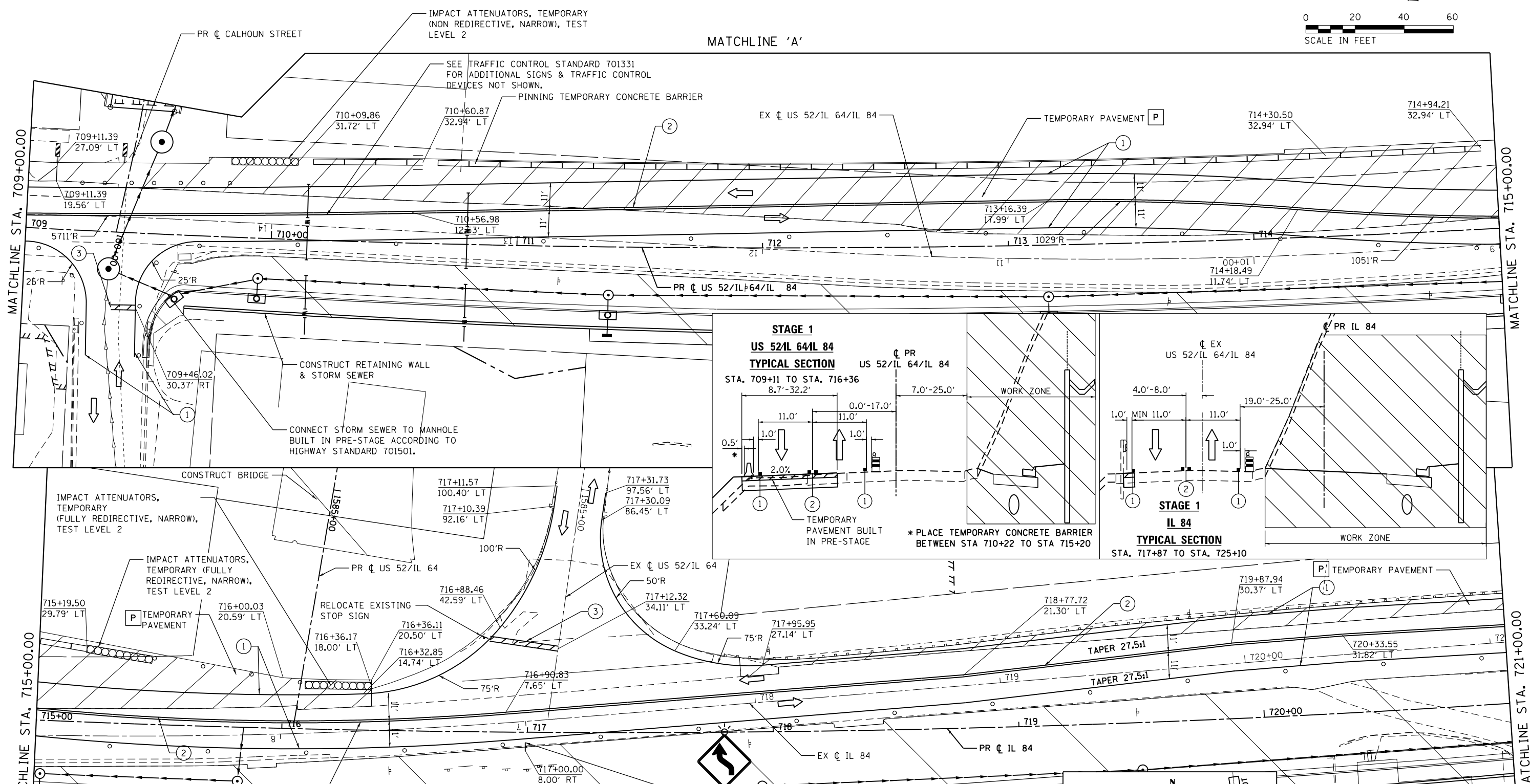
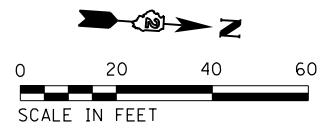
F.A.P. RTE. 17	SECTION 104B-2	COUNTY CARROLL/JACKSON	TOTAL SHEETS 528	SHEET NO. 91
CONTRACT NO. 64G59				
FED. ROAD DIST. NO. ILLINOIS FED. AID PROJECT				

FILE NAME = c:\p\work\king\11\mona\35361\dm\04105\20011101-STG-1-203.dgn

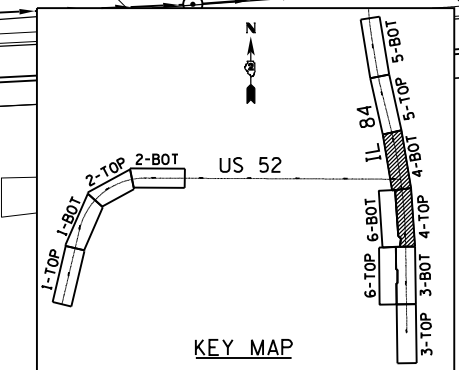
MATCHLINE STA. 703+00.00

MATCHLINE STA. 709+00.00





MAINTENANCE OF TRAFFIC LEGEND	
	TRAFFIC CONTROL SIGN W/ TYPE B MONODIRECTIONAL FLASHING LIGHT
	WORK ZONE
	TEMPORARY PAVEMENT
	TEMPORARY PAVEMENT (VARIABLE DEPTH)
	TEMPORARY PAVEMENT REMOVAL
	VERTICAL PANEL-DOUBLE FACED
	TYPE II BARRICADES OR DRUMS W/ STEADY BURNING LIGHT
	BARRICADE, TYPE III, W/ FLASHING LIGHTS IMPACT ATTENUATOR
	TEMPORARY CONCRETE BARRIER
	TEMPORARY BRIDGE TRAFFIC SIGNAL
	TEMPORARY TRAFFIC CONTROL SIGN
	TRAFFIC FLOW
	1 TEMPORARY PAVEMENT MARKING - LINE 4" WHITE
	2 TEMPORARY PAVEMENT MARKING - LINE 4" DOUBLE YELLOW C
	3 TEMPORARY PAVEMENT MARKING - LINE 24" WHITE
	P TRAFFIC CONTROL INSTALLED IN PREVIOUS STAGE



FILE NAME = c:\pwworking\illinois\35361\dm04105\20011101-510-1-204.dgn

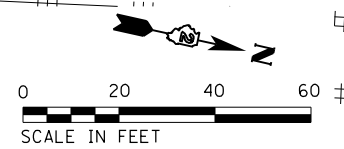
USER NAME = 35361	DESIGNED - RB	REVISED -
	DRAWN - RB	REVISED -
PLOT SCALE = 48.0000' / in.	CHECKED - JC	REVISED -
PLOT DATE = 3/20/2015	DATE - 03-12-2015	REVISED -

**STATE OF ILLINOIS
DEPARTMENT OF TRANSPORTATION**

**MAINTENANCE OF TRAFFIC
STAGE 1**

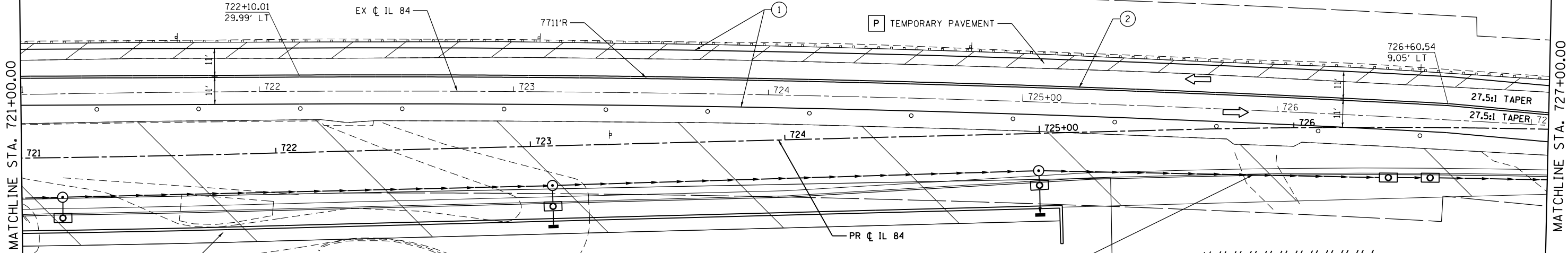
SCALE: 1"=20' SHEET 4 OF 5 SHEETS STA. 709+00 TO STA. 721+00

F.A.P. R.E. 17	SECTION 104B-2	COUNTY CARROLL/JACKSON	TOTAL SHEETS 528	SHEET NO. 92
CONTRACT NO. 64G59				
FED. ROAD DIST. NO. ILLINOIS FED. AID PROJECT				



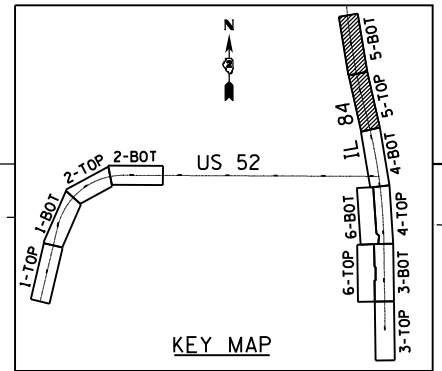
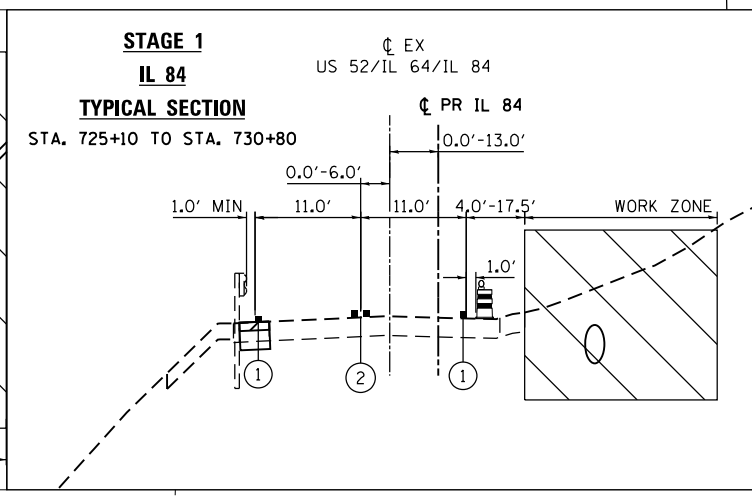
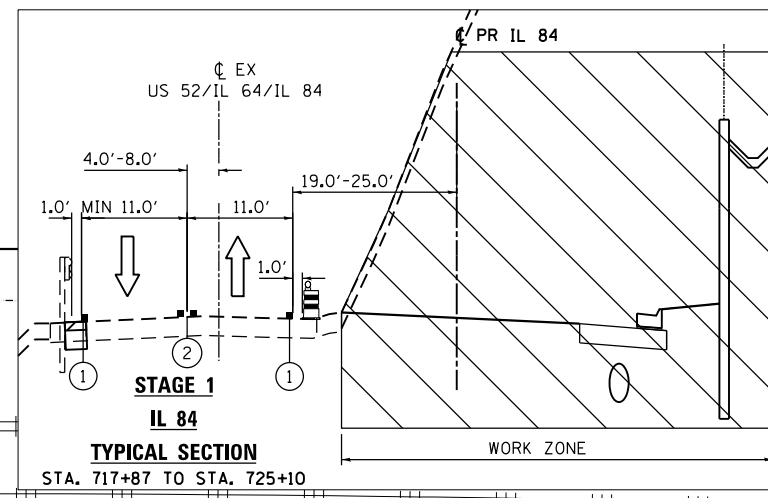
MATCHLINE STA. 721+00.00

MATCHLINE STA. 727+00.00

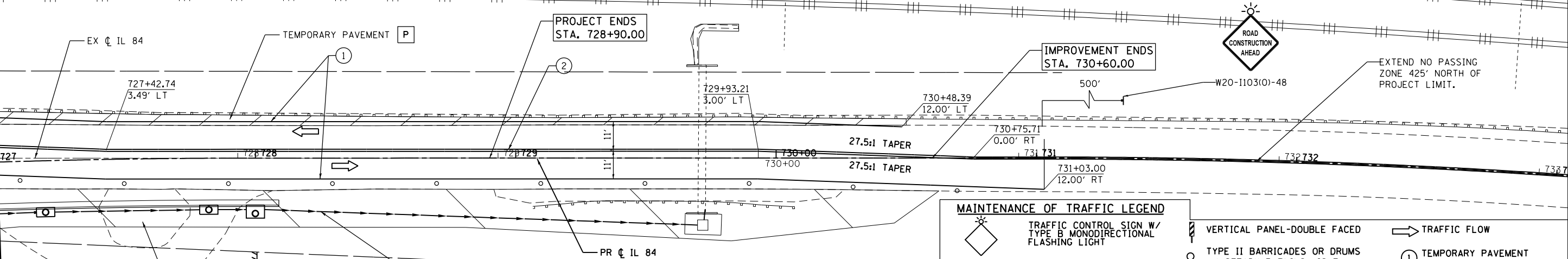


CONSTRUCT RETAINING WALL, STORM SEWER & CURB AND GUTTER

NOTE: CONSTRUCT STORM SEWER FROM STATION 725+00 TO STATION 729+80 USING HIGHWAY STANDARD 701201. ALL TRENCHES SHALL BE BACKFILLED PRIOR TO ALLOWING TWO WAY TRAFFIC TO RESUME.



MATCHLINE STA. 727+00.00



NOTE: CONSTRUCT STORM SEWER FROM STATION 725+00 TO STATION 729+80 SHALL BE DONE USING HIGHWAY STANDARD 701201. ALL TRENCHES SHALL BE BACKFILLED PRIOR TO ALLOWING TWO WAY TRAFFIC TO RESUME.

MAINTENANCE OF TRAFFIC LEGEND

- TRAFFIC CONTROL SIGN W/ TYPE B MONODIRECTIONAL FLASHING LIGHT
- WORK ZONE
- TEMPORARY PAVEMENT
- TEMPORARY PAVEMENT (VARIABLE DEPTH)
- TEMPORARY PAVEMENT REMOVAL
- VERTICAL PANEL-DOUBLE FACED
- TYPE II BARRICADES OR DRUMS W/ STEADY BURNING LIGHT
- BARRICADE, TYPE III, W/ FLASHING LIGHTS
- IMPACT ATTENUATOR
- TEMPORARY CONCRETE BARRIER
- TEMPORARY BRIDGE TRAFFIC SIGNAL
- TEMPORARY TRAFFIC CONTROL SIGN
- TRAFFIC FLOW
- ① TEMPORARY PAVEMENT MARKING - LINE 4" WHITE
- ② TEMPORARY PAVEMENT MARKING - LINE 4" DOUBLE YELLOW C
- ③ TEMPORARY PAVEMENT MARKING - LINE 24" WHITE
- P TRAFFIC CONTROL INSTALLED IN PREVIOUS STAGE

USER NAME = 35361	DESIGNED - RB	REVISED -
DRAWN - RB	CHECKED - JC	REVISED -
PLOT SCALE = 48.0000' / in.	DATE - 03-12-2015	REVISED -
PLOT DATE = 3/20/2015		

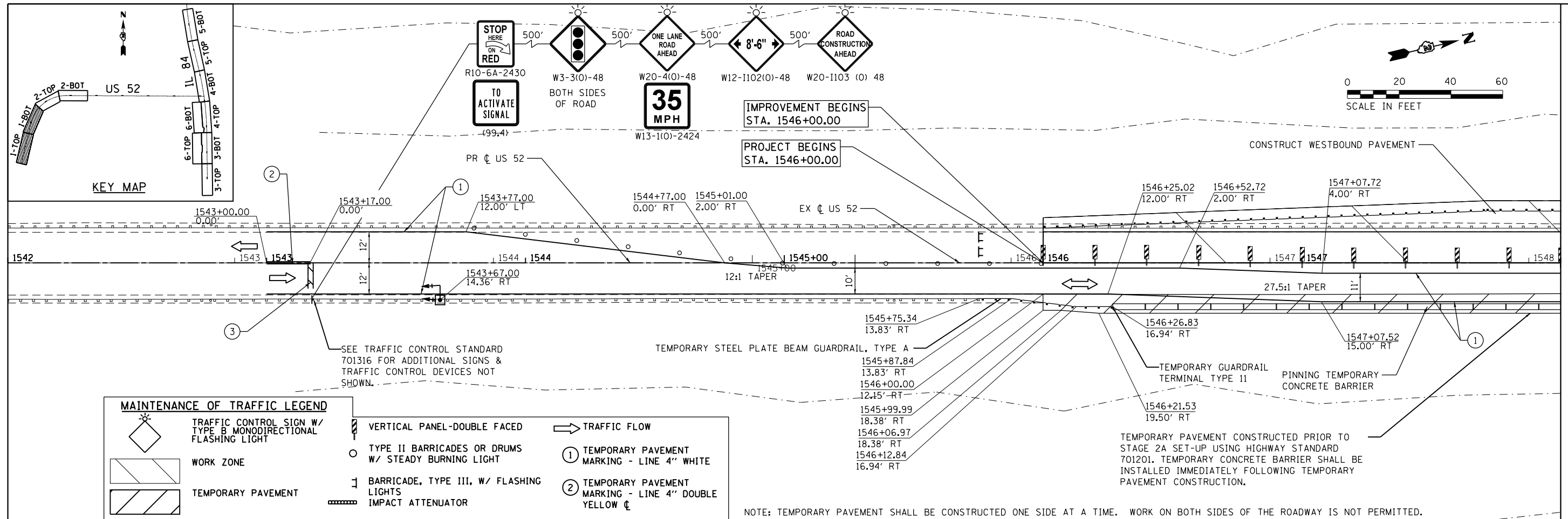
**STATE OF ILLINOIS
DEPARTMENT OF TRANSPORTATION**

**MAINTENANCE OF TRAFFIC
STAGE 1**

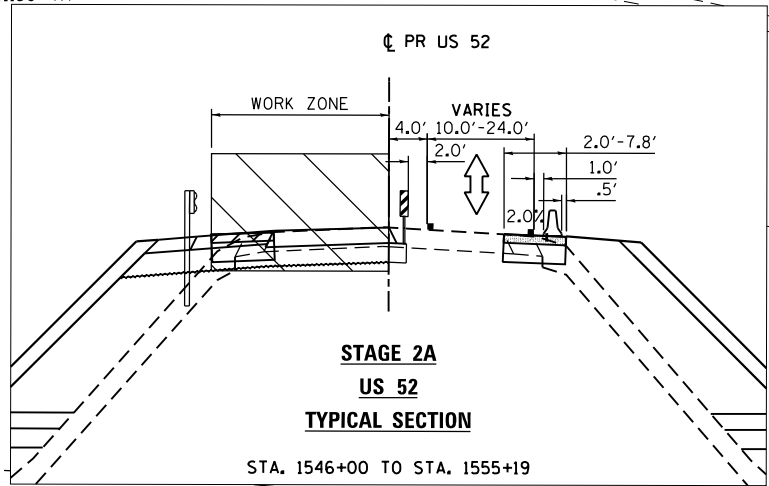
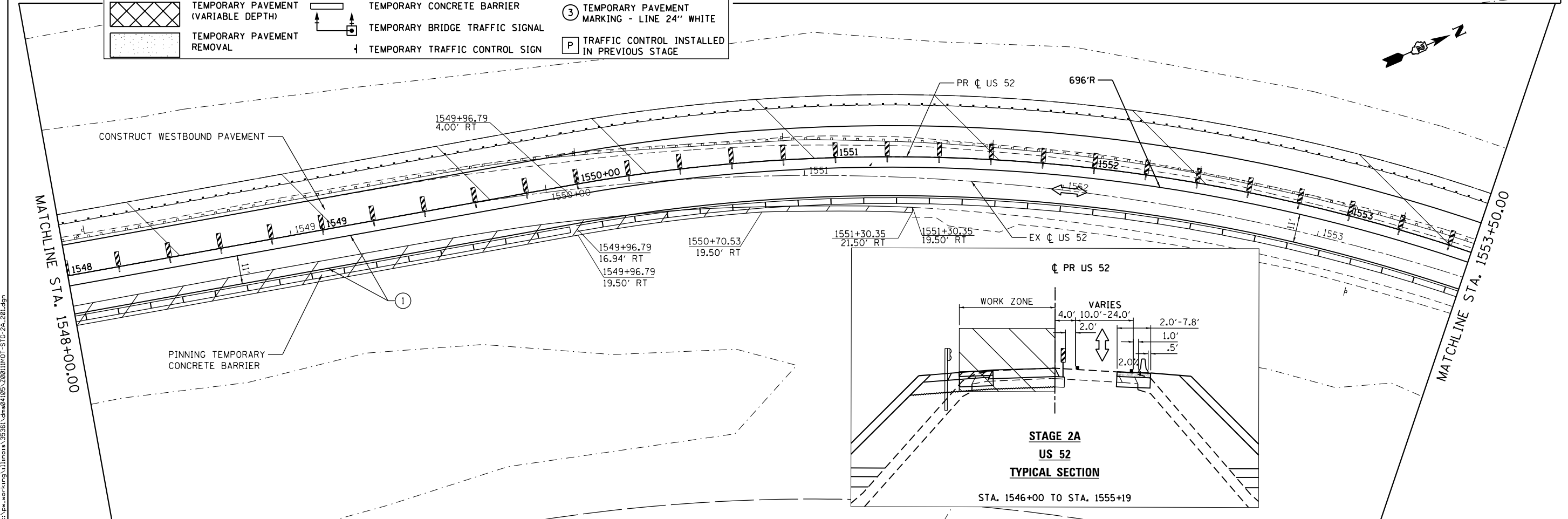
SCALE: 1"=20' SHEET 5 OF 5 SHEETS STA. 721+00 TO STA. 733+00

F.A.P. RTE. 17	SECTION 104B-2	COUNTY CARROLL/JACKSON	TOTAL SHEETS 528	SHEET NO. 93
CONTRACT NO. 64G59				
FED. ROAD DIST. NO. ILLINOIS FED. AID PROJECT				

FILE NAME = c:\pwork\king\illinois\35361\cma04105\20011101-510-1-2015.dgn



MAINTENANCE OF TRAFFIC LEGEND			
	TRAFFIC CONTROL SIGN W/ TYPE B MONODIRECTIONAL FLASHING LIGHT		TRAFFIC FLOW
	WORK ZONE		① TEMPORARY PAVEMENT MARKING - LINE 4" WHITE
	TEMPORARY PAVEMENT		② TEMPORARY PAVEMENT MARKING - LINE 4" DOUBLE YELLOW C
	TEMPORARY PAVEMENT (VARIABLE DEPTH)		③ TEMPORARY PAVEMENT MARKING - LINE 24" WHITE
	TEMPORARY PAVEMENT REMOVAL		P TRAFFIC CONTROL INSTALLED IN PREVIOUS STAGE
	VERTICAL PANEL-DOUBLE FACED		TYPE II BARRICADES OR DRUMS W/ STEADY BURNING LIGHT
	BARRICADE, TYPE III, W/ FLASHING LIGHTS		TEMPORARY CONCRETE BARRIER
	IMPACT ATTENUATOR		TEMPORARY BRIDGE TRAFFIC SIGNAL
	TEMPORARY TRAFFIC CONTROL SIGN		



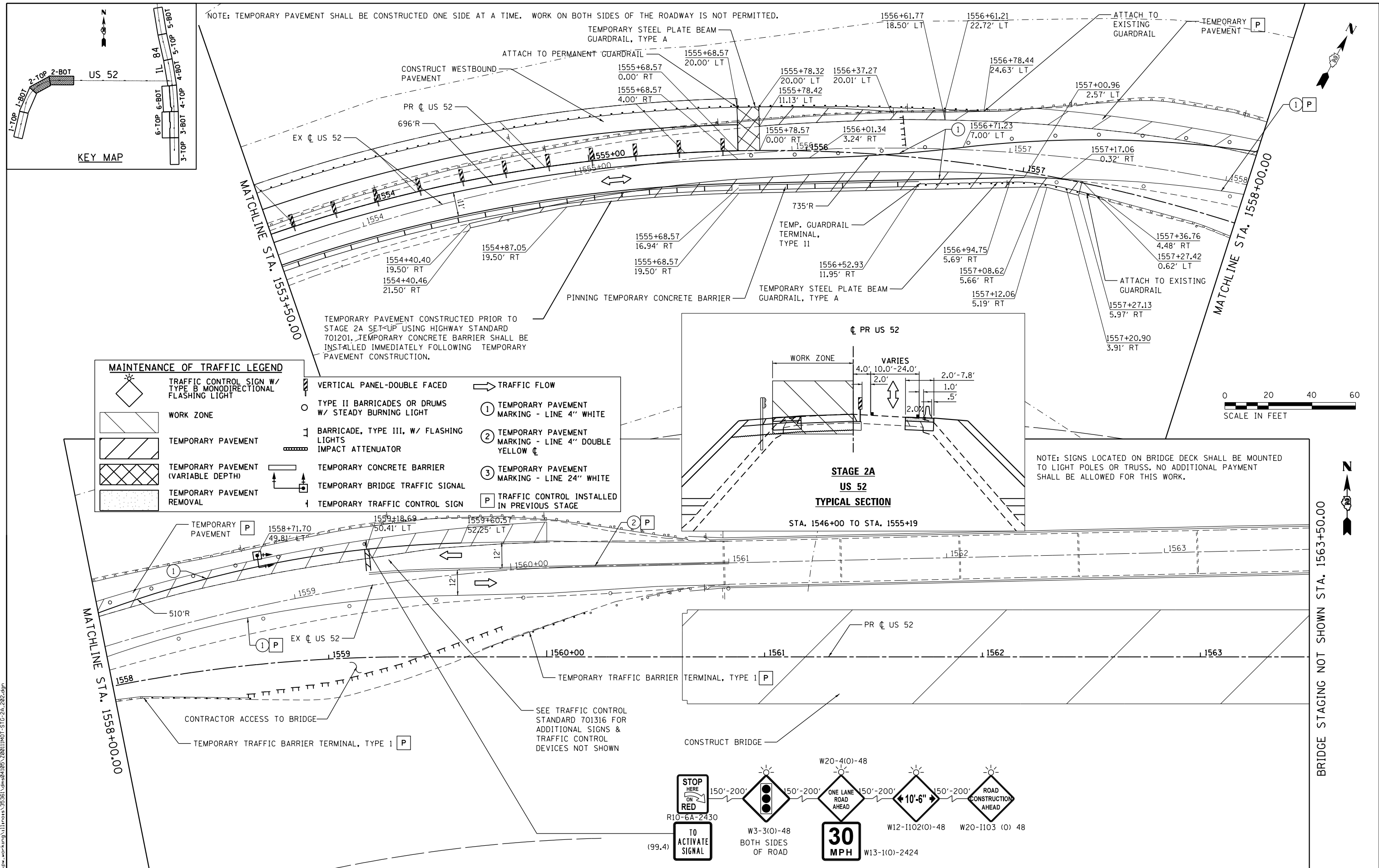
FILE NAME = c:\p\work\king\illinois\35361\dm04105\20011101-STG-2A-201.dgn

USER NAME = 35361	DESIGNED - RB	REVISED -
DRAWN - RB	REVISIONS -	
PLOT SCALE = 48.0000' / in.	CHECKED - JC	REVISIONS -
PLOT DATE = 3/20/2015	DATE - 03-12-2015	REVISIONS -

STATE OF ILLINOIS
DEPARTMENT OF TRANSPORTATION

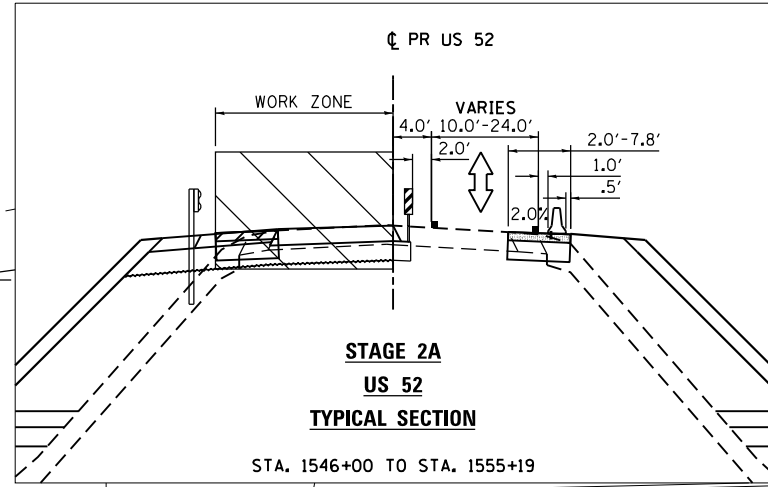
MAINTENANCE OF TRAFFIC
STAGE 2A
SCALE: 1"=20' SHEET 1 OF 5 SHEETS STA. 1542+00 TO STA. 1553+50

F.A.P. RTE.	SECTION	COUNTY	TOTAL SHEETS	SHEET NO.
17	104B-2	CARROLL/JACKSON	528	94
CONTRACT NO. 64G59				
FED. ROAD DIST. NO. ILLINOIS FED. AID PROJECT				

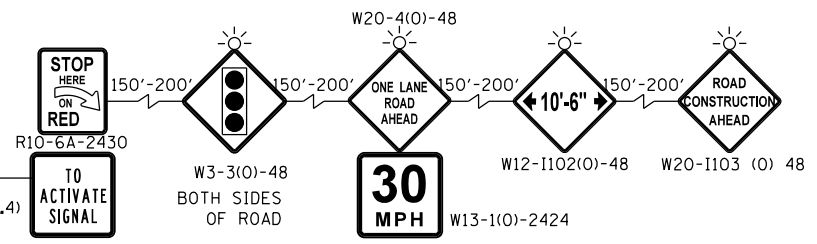


MAINTENANCE OF TRAFFIC LEGEND

	TRAFFIC CONTROL SIGN W/ TYPE B MONODIRECTIONAL FLASHING LIGHT		VERTICAL PANEL-DOUBLE FACED		TRAFFIC FLOW
	WORK ZONE		TYPE II BARRICADES OR DRUMS W/ STEADY BURNING LIGHT		① TEMPORARY PAVEMENT MARKING - LINE 4" WHITE
	TEMPORARY PAVEMENT		BARRICADE, TYPE III, W/ FLASHING LIGHTS		② TEMPORARY PAVEMENT MARKING - LINE 4" DOUBLE YELLOW C
	TEMPORARY PAVEMENT (VARIABLE DEPTH)		IMPACT ATTENUATOR		③ TEMPORARY PAVEMENT MARKING - LINE 24" WHITE
	TEMPORARY PAVEMENT REMOVAL		TEMPORARY CONCRETE BARRIER		P TRAFFIC CONTROL INSTALLED IN PREVIOUS STAGE
			TEMPORARY BRIDGE TRAFFIC SIGNAL		
			TEMPORARY TRAFFIC CONTROL SIGN		



NOTE: SIGNS LOCATED ON BRIDGE DECK SHALL BE MOUNTED TO LIGHT POLES OR TRUSS. NO ADDITIONAL PAYMENT SHALL BE ALLOWED FOR THIS WORK.



FILE NAME = c:\p\work\king\illinois\35361\dm-a04105\20011101-510-2A-202.dgn

USER NAME = 35361	DESIGNED - RB	REVISED -
DRAWN - RB	REVISOR -	
PLOT SCALE = 48.0000' / in.	CHECKED - JC	REVISOR -
PLOT DATE = 3/20/2015	DATE - 03-12-2015	REVISOR -

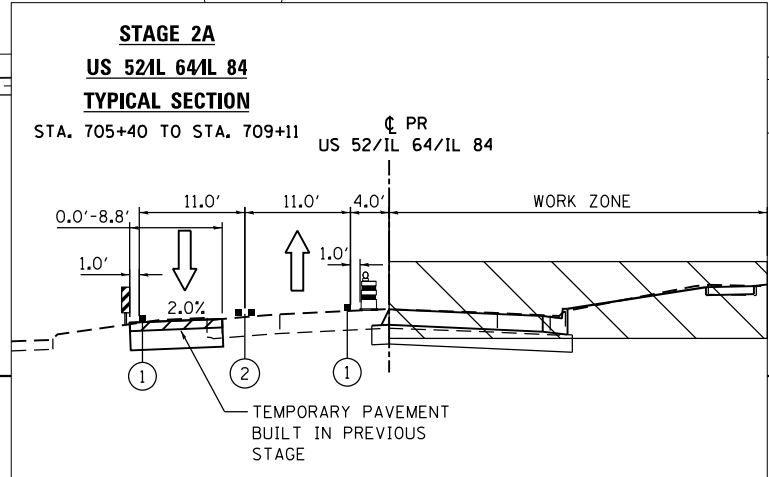
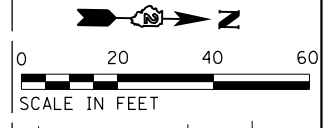
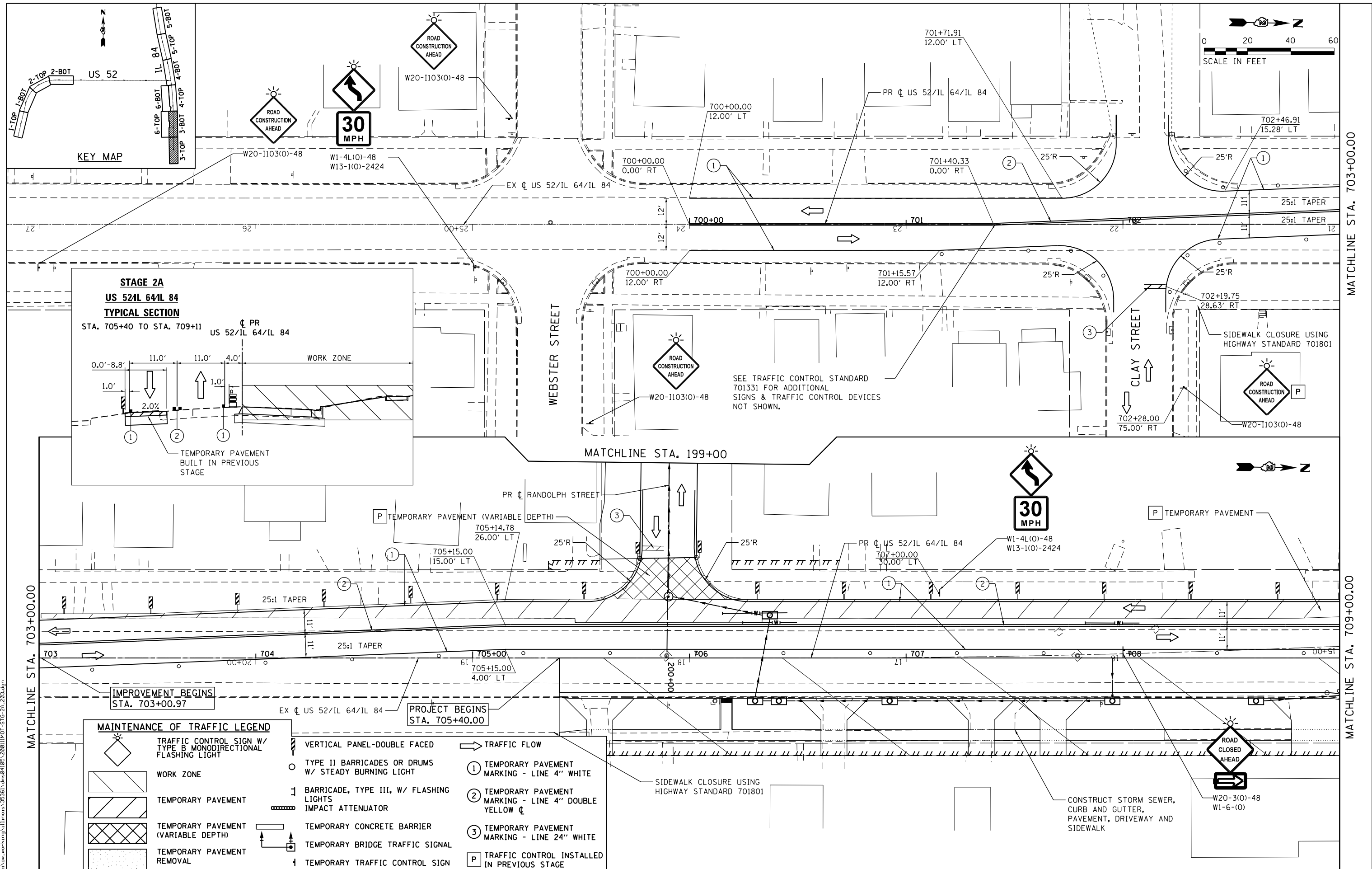
STATE OF ILLINOIS
DEPARTMENT OF TRANSPORTATION

MAINTENANCE OF TRAFFIC
STAGE 2A

SCALE: 1"=20' SHEET 2 OF 5 SHEETS STA. 1553+50 TO STA. 1563+50

F.A.P. RTE.	SECTION	COUNTY	TOTAL SHEETS	SHEET NO.
17	104B-2	CARROLL/JACKSON	528	95
CONTRACT NO. 64G59				
FED. ROAD DIST. NO. ILLINOIS FED. AID PROJECT				

BRIDGE STAGING NOT SHOWN STA. 1563+50.00



MAINTENANCE OF TRAFFIC LEGEND

- | | | | | | |
|--|---|--|---|--|--|
| | TRAFFIC CONTROL SIGN W/ TYPE B MONODIRECTIONAL FLASHING LIGHT | | VERTICAL PANEL-DOUBLE FACED | | TRAFFIC FLOW |
| | WORK ZONE | | TYPE II BARRICADES OR DRUMS W/ STEADY BURNING LIGHT | | ① TEMPORARY PAVEMENT MARKING - LINE 4" WHITE |
| | TEMPORARY PAVEMENT | | BARRICADE, TYPE III, W/ FLASHING LIGHTS IMPACT ATTENUATOR | | ② TEMPORARY PAVEMENT MARKING - LINE 4" DOUBLE YELLOW C |
| | TEMPORARY PAVEMENT (VARIABLE DEPTH) | | TEMPORARY CONCRETE BARRIER | | ③ TEMPORARY PAVEMENT MARKING - LINE 24" WHITE |
| | TEMPORARY PAVEMENT REMOVAL | | TEMPORARY BRIDGE TRAFFIC SIGNAL | | P TRAFFIC CONTROL INSTALLED IN PREVIOUS STAGE |
| | | | TEMPORARY TRAFFIC CONTROL SIGN | | |

USER NAME = 35361	DESIGNED - RB	REVISED -
	DRAWN - RB	REVISED -
PLOT SCALE = 48.0000' / in.	CHECKED - JC	REVISED -
PLOT DATE = 3/20/2015	DATE - 03-12-2015	REVISED -

STATE OF ILLINOIS
DEPARTMENT OF TRANSPORTATION

MAINTENANCE OF TRAFFIC
STAGE 2A

SCALE: 1"=20' SHEET 3 OF 5 SHEETS STA. 700+00 TO STA. 709+00

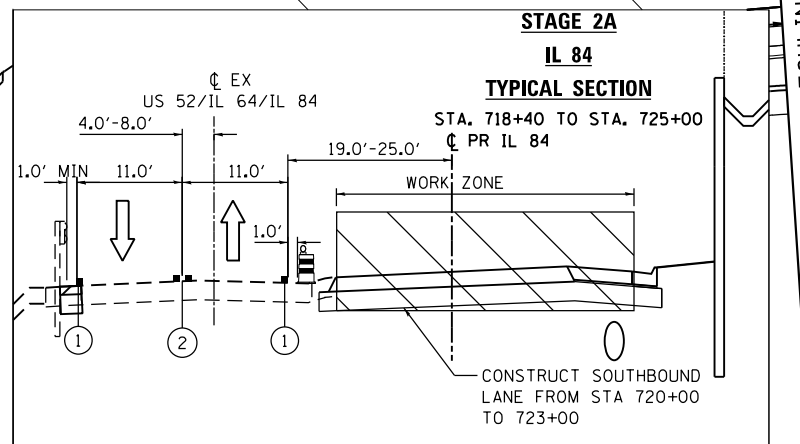
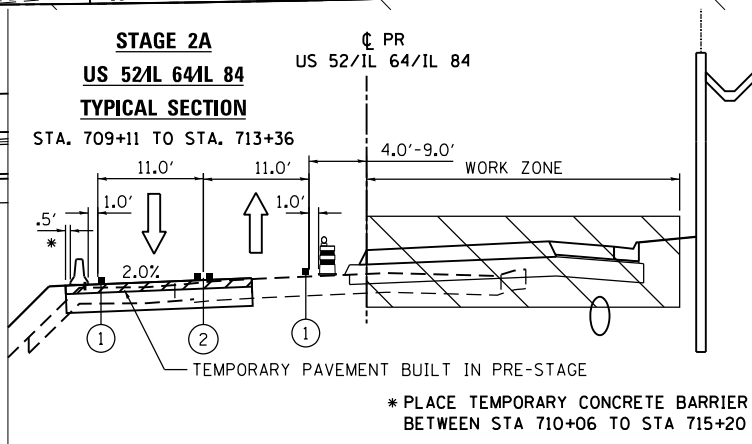
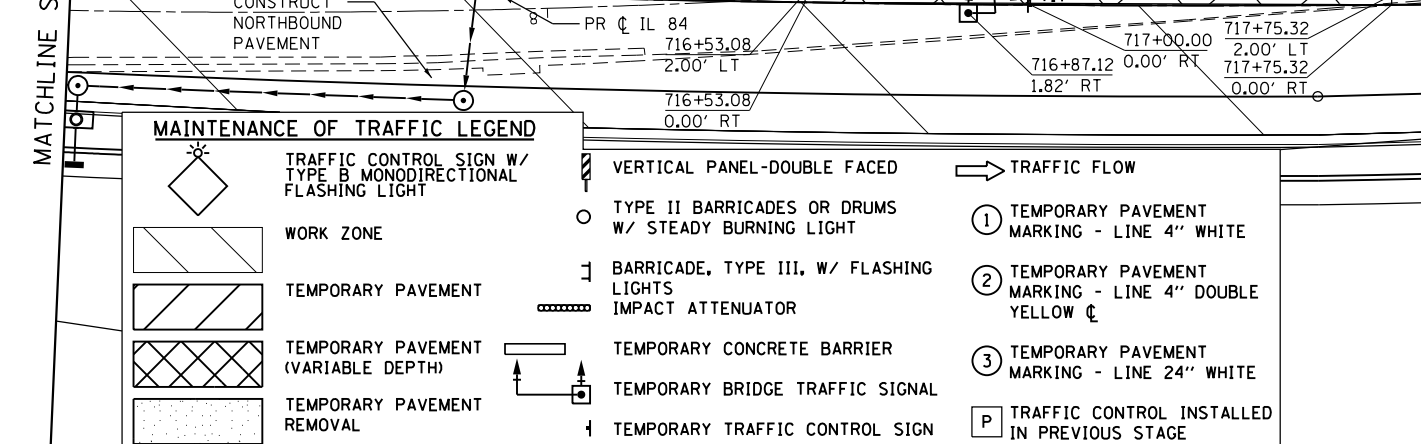
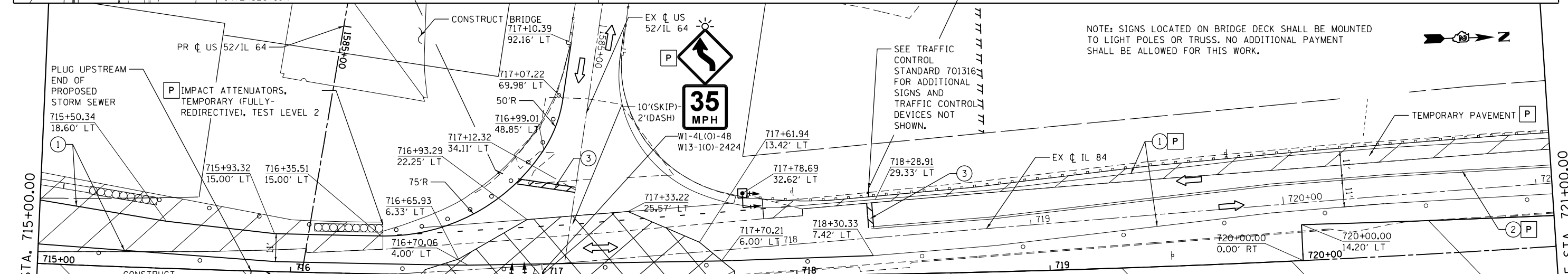
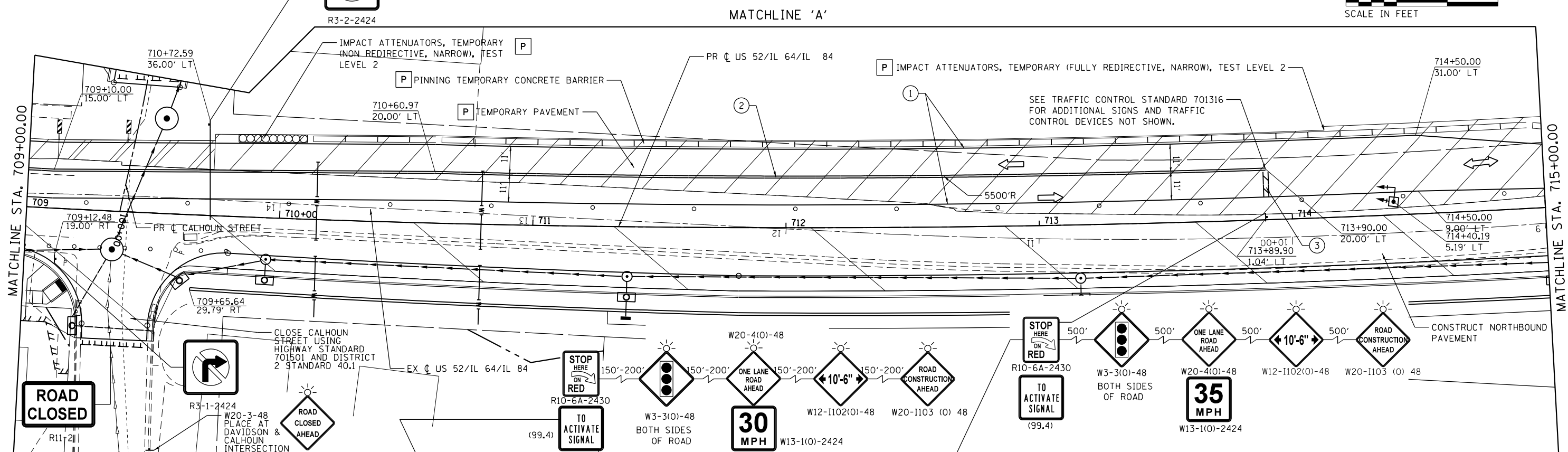
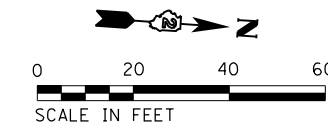
F.A.P. RTE.	SECTION	COUNTY	TOTAL SHEETS	SHEET NO.
17	104B-2	CARROLL/JACKSON	528	96
CONTRACT NO. 64G59				
FED. ROAD DIST. NO. ILLINOIS FED. AID PROJECT				

FILE NAME = c:\p\work\king\illinois\35361\dm\04105\20011101-510-2a-203.dgn

MATCHLINE STA. 703+00.00

MATCHLINE STA. 709+00.00

NOTE: SEE ADJACENT SHEET FOR KEY MAP.



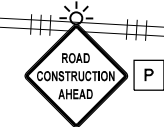
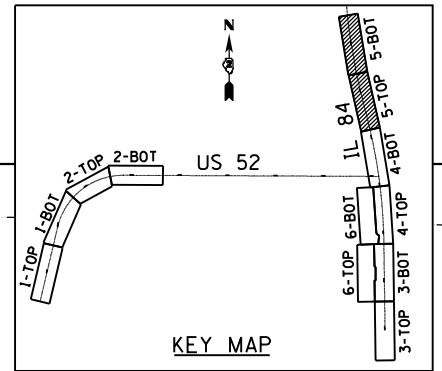
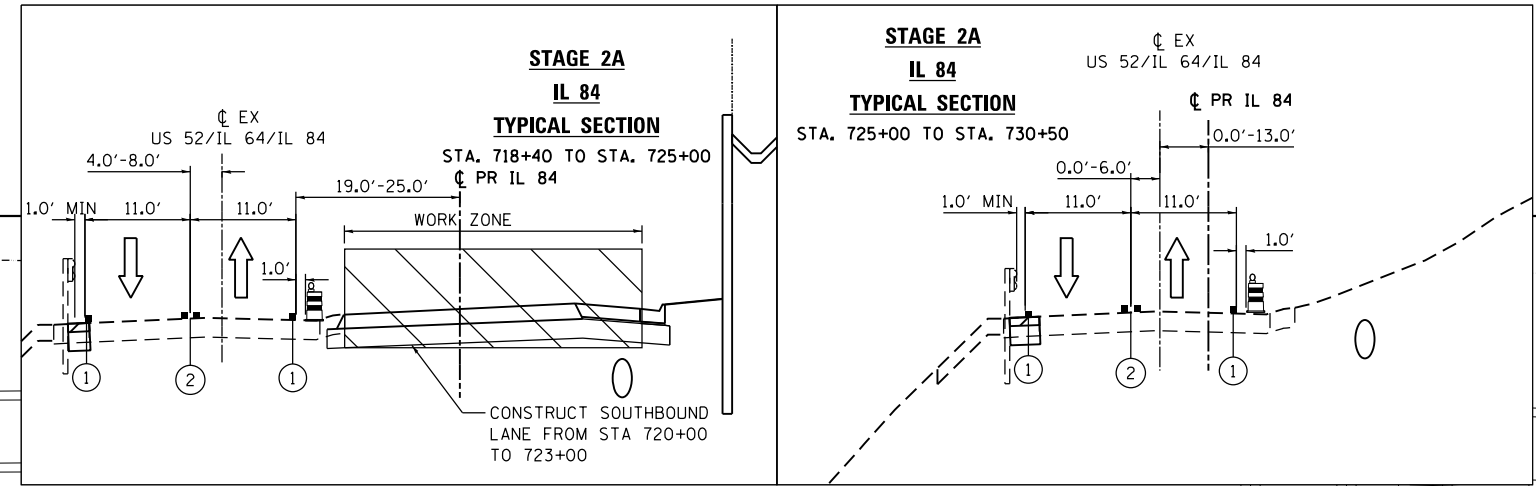
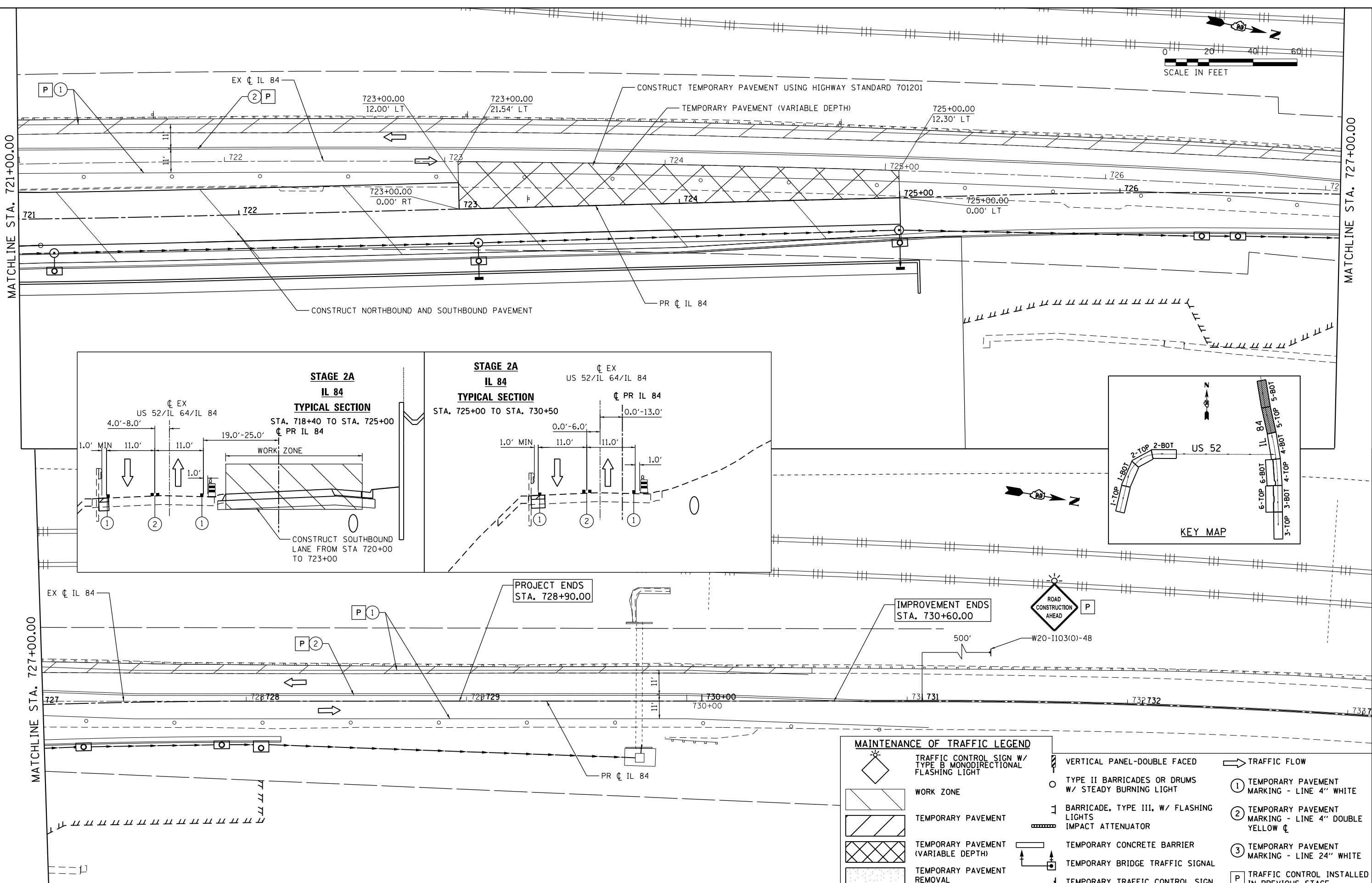
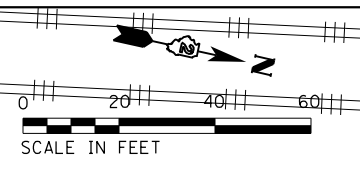
FILE NAME = c:\p\work\king\11\mona\35361\dm\04105\20011101-1512-20-204.dgn

USER NAME = 35361	DESIGNED - RB	REVISED -
	DRAWN - RB	REVISED -
PLOT SCALE = 48.0000' / in.	CHECKED - JC	REVISED -
PLOT DATE = 3/20/2015	DATE - 03-12-2015	REVISED -

**STATE OF ILLINOIS
DEPARTMENT OF TRANSPORTATION**

**MAINTENANCE OF TRAFFIC
STAGE 2A**
SCALE: 1"=20' SHEET 4 OF 5 SHEETS STA. 709+00 TO STA. 721+00

F.A.P. R.T.E.	SECTION	COUNTY	TOTAL SHEETS	SHEET NO.
17	104B-2	CARROLL/JACKSON	528	97
CONTRACT NO. 64G59				
FED. ROAD DIST. NO. ILLINOIS FED. AID PROJECT				



IMPROVEMENT ENDS
STA. 730+60.00

PROJECT ENDS
STA. 728+90.00

MAINTENANCE OF TRAFFIC LEGEND			
	TRAFFIC CONTROL SIGN W/ TYPE B MONODIRECTIONAL FLASHING LIGHT		VERTICAL PANEL-DOUBLE FACED
	WORK ZONE		BARRICADE, TYPE III, W/ FLASHING LIGHTS
	TEMPORARY PAVEMENT		TEMPORARY CONCRETE BARRIER
	TEMPORARY PAVEMENT (VARIABLE DEPTH)		TEMPORARY BRIDGE TRAFFIC SIGNAL
	TEMPORARY PAVEMENT REMOVAL		TEMPORARY TRAFFIC CONTROL SIGN
	TRAFFIC FLOW		① TEMPORARY PAVEMENT MARKING - LINE 4" WHITE
	② TEMPORARY PAVEMENT MARKING - LINE 4" DOUBLE YELLOW CL		③ TEMPORARY PAVEMENT MARKING - LINE 24" WHITE
	P TRAFFIC CONTROL INSTALLED IN PREVIOUS STAGE		

USER NAME = 35361	DESIGNED - RB	REVISED -
DRAWN - RB	CHECKED - JC	REVISED -
PLOT SCALE = 48.0000' / in.	DATE - 03-12-2015	REVISED -
PLOT DATE = 3/20/2015		

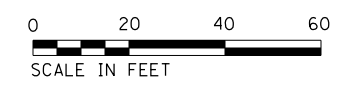
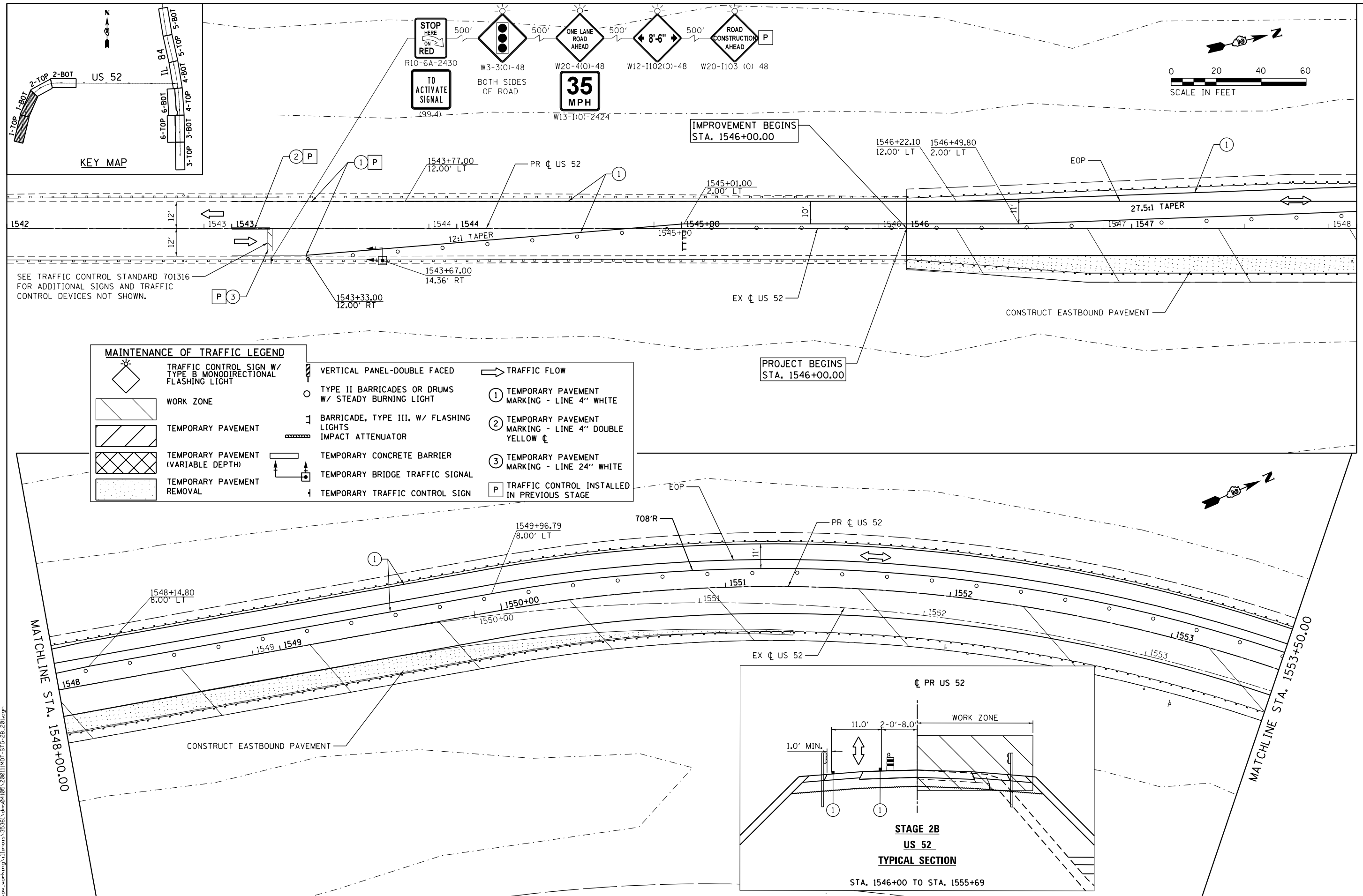
STATE OF ILLINOIS
DEPARTMENT OF TRANSPORTATION

MAINTENANCE OF TRAFFIC
STAGE 2A

SCALE: 1"=20' SHEET 5 OF 5 SHEETS STA. 721+00 TO STA. 733+00

F.A.P. RTE.	SECTION	COUNTY	TOTAL SHEETS	SHEET NO.
17	104B-2	CARROLL/JACKSON	528	98
CONTRACT NO. 64G59				
FED. ROAD DIST. NO. ILLINOIS FED. AID PROJECT				

FILE NAME = c:\p\work\king\illinois\35361\dm\04105\20011101-1512-2A-2015.dgn



FILE NAME = c:\p\work\king\illinois\35361\dm\04105\20011\DOT-STG-2B-201.dgn

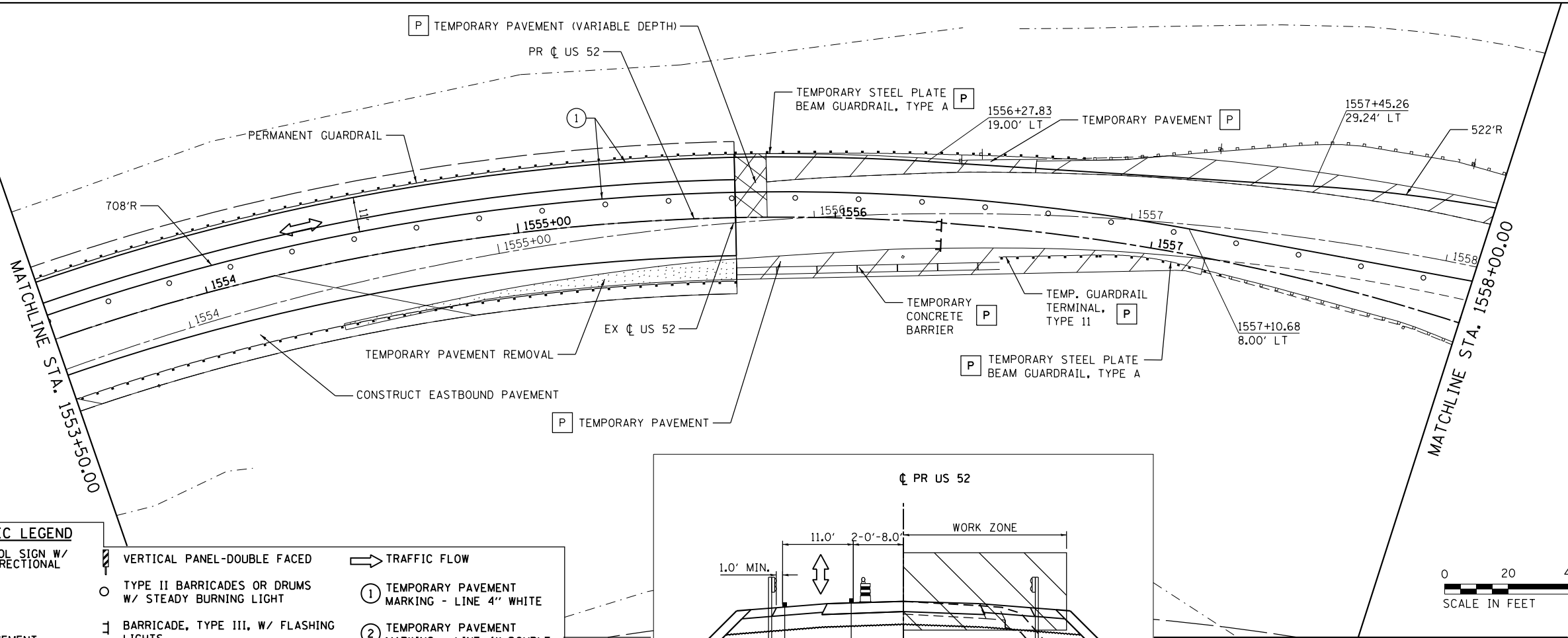
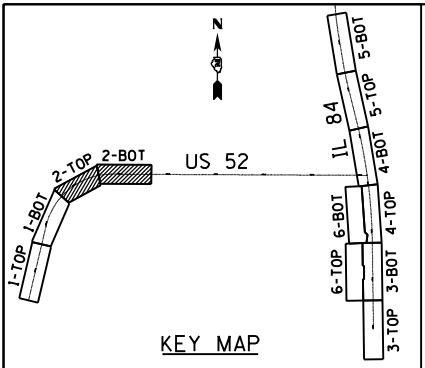
USER NAME = 35361	DESIGNED - RB	REVISED -
DRAWN - RB	REVISOR -	
PLOT SCALE = 48.0000' / in.	CHECKED - JC	REVISOR -
PLOT DATE = 3/20/2015	DATE - 03-12-2015	REVISOR -

STATE OF ILLINOIS
DEPARTMENT OF TRANSPORTATION

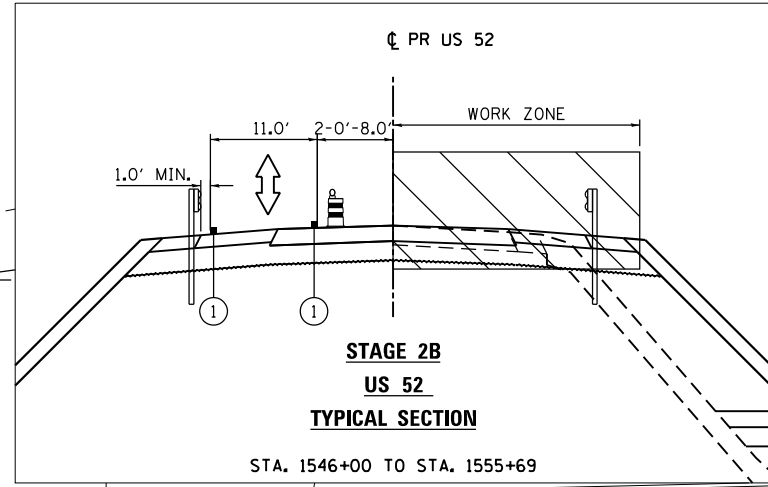
MAINTENANCE OF TRAFFIC
STAGE 2B

SCALE: 1"=20' SHEET 1 OF 5 SHEETS STA. 1542+00 TO STA. 1553+50

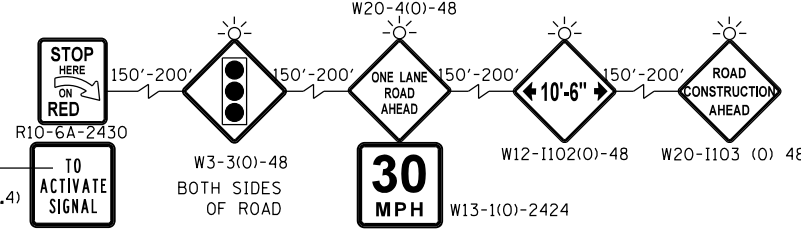
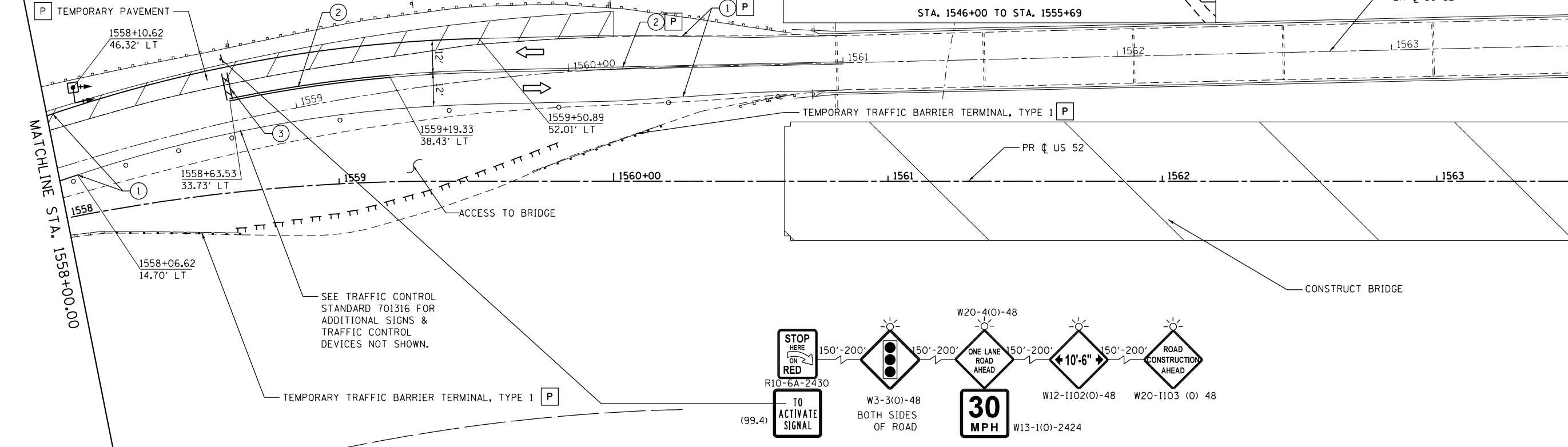
F.A.P. RTE.	SECTION	COUNTY	TOTAL SHEETS	SHEET NO.
17	104B-2	CARROLL/JACKSON	528	99
CONTRACT NO. 64G59				
FED. ROAD DIST. NO. ILLINOIS FED. AID PROJECT				



MAINTENANCE OF TRAFFIC LEGEND		
	TRAFFIC CONTROL SIGN W/ TYPE B MONODIRECTIONAL FLASHING LIGHT	
	WORK ZONE	
	TEMPORARY PAVEMENT	
	TEMPORARY PAVEMENT (VARIABLE DEPTH)	
	TEMPORARY PAVEMENT REMOVAL	
	VERTICAL PANEL-DOUBLE FACED	
	TYPE II BARRICADES OR DRUMS W/ STEADY BURNING LIGHT	
	BARRICADE, TYPE III, W/ FLASHING LIGHTS	
	IMPACT ATTENUATOR	
	TEMPORARY CONCRETE BARRIER	
	TEMPORARY BRIDGE TRAFFIC SIGNAL	
	TEMPORARY TRAFFIC CONTROL SIGN	
	TRAFFIC FLOW	
	1 TEMPORARY PAVEMENT MARKING - LINE 4" WHITE	
	2 TEMPORARY PAVEMENT MARKING - LINE 4" DOUBLE YELLOW C	
	3 TEMPORARY PAVEMENT MARKING - LINE 24" WHITE	
	P TRAFFIC CONTROL INSTALLED IN PREVIOUS STAGE	



NOTE: SIGNS LOCATED ON BRIDGE DECK SHALL BE MOUNTED TO LIGHT POLES OR TRUSS. NO ADDITIONAL PAYMENT SHALL BE ALLOWED FOR THIS WORK.



FILE NAME = c:\pwworking\illinois\35361\dm04105\20011101-510-2B-202.dgn

USER NAME = 35361	DESIGNED - RB	REVISED -
DRAWN - RB	REVISIONS -	
PLOT SCALE = 48.0000' / in.	CHECKED - JC	REVISIONS -
PLOT DATE = 3/20/2015	DATE - 03-12-2015	REVISIONS -

STATE OF ILLINOIS
DEPARTMENT OF TRANSPORTATION

MAINTENANCE OF TRAFFIC
STAGE 2B
SCALE: 1"=20' SHEET 2 OF 5 SHEETS STA. 1553+50 TO STA. 1563+50

F.A.P. RTE.	SECTION	COUNTY	TOTAL SHEETS	SHEET NO.
17	104B-2	CARROLL/JACKSON	528	100
CONTRACT NO. 64G59				
FED. ROAD DIST. NO. ILLINOIS FED. AID PROJECT				