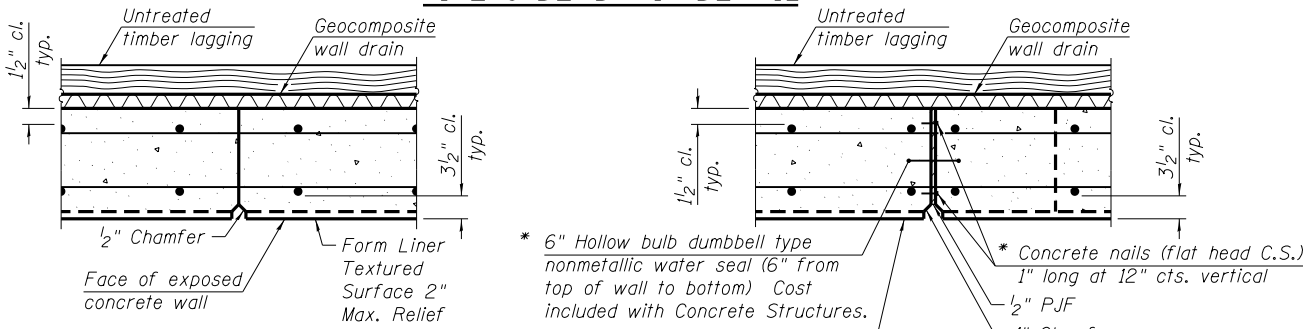


AT SOLDIER PILES

BETWEEN SOLDIER PILES

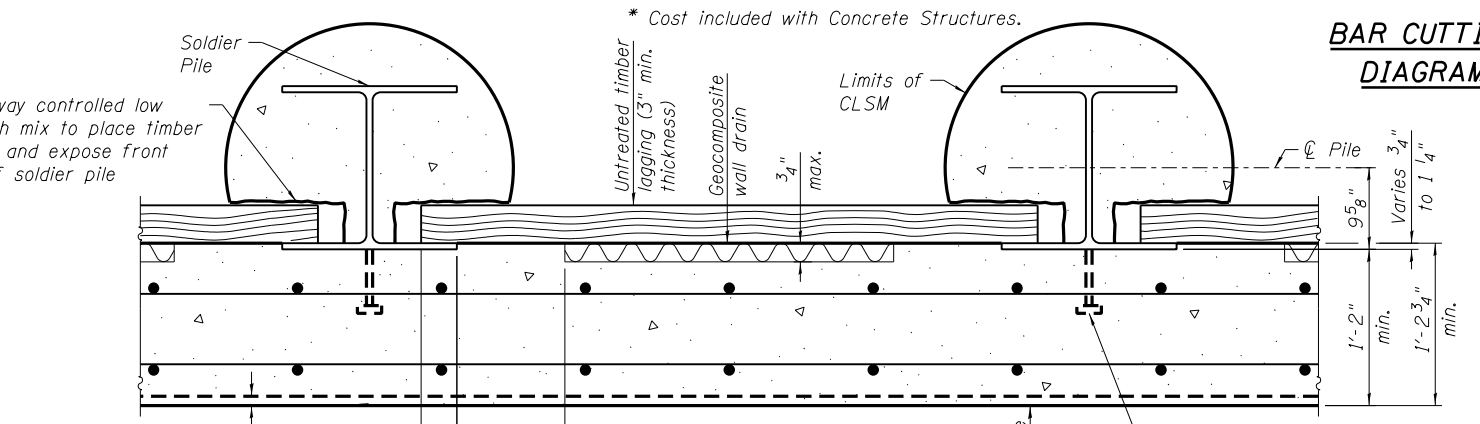
** Included in the cost of Pipe Underdrains for Structures, 4".

PIPE UNDERDRAIN DETAIL

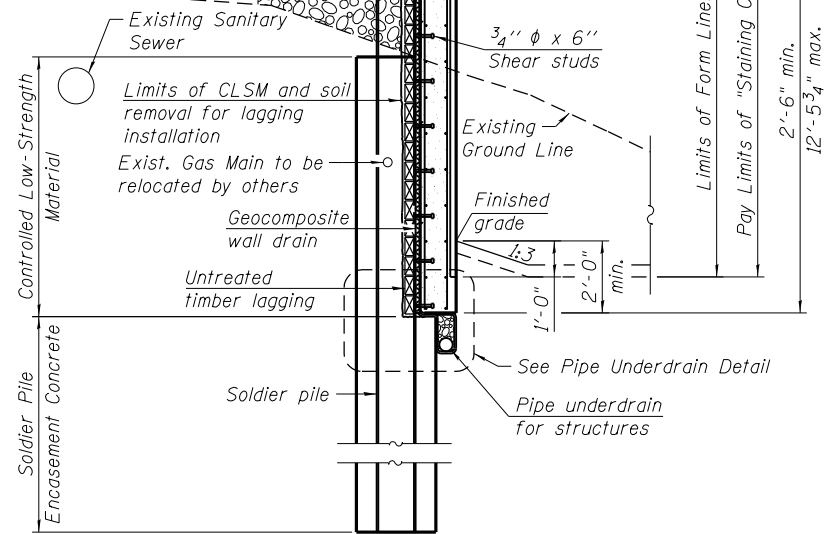


CONSTRUCTION JOINT DETAIL

EXPANSION JOINT DETAIL



SECTION THROUGH DRILLED SOLDIER PILE WALL



SECTION A-A

(Looking East)

BAR CUTTING DIAGRAM TABLE

Bar	A	B	C	D
v ₁ (E)	7'-5"	4'-7"	2'-10"	32
v ₂ (E)	10'-6"	5'-11"	4'-7"	31
v ₃ (E)	13'-1"	7'-2"	5'-11"	31
v ₄ (E)	15'-7"	8'-5"	7'-2"	31
v ₅ (E)	17'-11"	9'-6"	8'-5"	31
v ₆ (E)	19'-11"	10'-5"	9'-6"	31
v ₇ (E)	21'-6"	11'-1"	10'-5"	31
v ₈ (E)	22'-8"	11'-7"	11'-1"	31
v ₉ (E)	23'-5"	11'-10"	11'-7"	25
v ₁₀ (E)	23'-10"	12'-0"	11'-10"	27
v ₁₁ (E)	24'-1"	12'-1"	12'-0"	25
v ₁₂ (E)	24'-2"	12'-1"	12'-1"	24
v ₁₃ (E)	23'-11"	11'-10"	12'-1"	31
v ₁₄ (E)	23'-3"	11'-5"	11'-10"	31
v ₁₅ (E)	22'-4"	10'-11"	11'-5"	31
v ₁₆ (E)	21'-8"	10'-9"	10'-11"	31
v ₁₇ (E)	21'-4"	10'-7"	10'-9"	31
v ₁₈ (E)	21'-1"	10'-6"	10'-7"	31
v ₁₉ (E)	20'-10"	10'-4"	10'-6"	31
v ₂₀ (E)	20'-6"	10'-2"	10'-4"	31
v ₂₁ (E)	20'-0"	9'-10"	10'-2"	31
v ₂₂ (E)	19'-4"	9'-6"	9'-10"	31
v ₂₃ (E)	18'-7"	9'-1"	9'-6"	31
v ₂₄ (E)	17'-5"	8'-4"	9'-1"	31
v ₂₅ (E)	16'-1"	7'-9"	8'-4"	31
v ₂₆ (E)	14'-10"	7'-1"	7'-9"	31
v ₂₇ (E)	13'-9"	6'-8"	7'-1"	23
v ₂₈ (E)	8'-10"	2'-2"	6'-8"	32

Order bars full length. Cut to fit and use remainder of bars on opposite side.

BILL OF MATERIAL

Bar	No.	Size	Length	Shape
d(E)	848	# 5	5'-4"	L
d ₁ (E)	6	# 5	5'-10"	D
e(E)	104	# 4	32'-11"	
e ₁ (E)	72	# 4	29'-8"	
e ₂ (E)	8	# 4	26'-11"	
e ₃ (E)	8	# 4	26'-8"	
e ₄ (E)	8	# 4	14'-4"	
e ₅ (E)	8	# 4	23'-8"	
e ₁₀ (E)	16	# 4	23'-1"	
h(E)	542	# 5	33'-8"	
h ₁ (E)	324	# 5	29'-8"	
h ₂ (E)	20	# 5	35'-1"	
h ₃ (E)	50	# 5	30'-2"	
h ₄ (E)	50	# 6	28'-2"	
h ₅ (E)	50	# 5	27'-8"	
h ₆ (E)	30	# 5	26'-7"	
h ₇ (E)	32	# 5	31'-2"	
h ₈ (E)	50	# 5	23'-8"	
v(E)	795	# 5	6'-0"	
v ₁ (E)	32	# 5	7'-5"	
v ₂ (E)	31	# 5	10'-6"	
v ₃ (E)	31	# 5	13'-1"	
v ₄ (E)	31	# 5	15'-7"	
v ₅ (E)	31	# 5	17'-11"	
v ₆ (E)	31	# 5	19'-11"	
v ₇ (E)	31	# 5	21'-6"	
v ₈ (E)	31	# 5	22'-8"	
v ₉ (E)	25	# 5	23'-5"	
v ₁₀ (E)	27	# 5	23'-10"	
v ₁₁ (E)	25	# 5	24'-1"	
v ₁₂ (E)	24	# 5	24'-2"	
v ₁₃ (E)	31	# 5	23'-11"	
v ₁₄ (E)	31	# 5	23'-3"	
v ₁₅ (E)	31	# 5	22'-4"	
v ₁₆ (E)	31	# 5	21'-8"	
v ₁₇ (E)	31	# 5	21'-4"	
v ₁₈ (E)	31	# 5	21'-1"	
v ₁₉ (E)	31	# 5	20'-10"	
v ₂₀ (E)	31	# 5	20'-6"	
v ₂₁ (E)	31	# 5	20'-0"	
v ₂₂ (E)	31	# 5	19'-4"	
v ₂₃ (E)	31	# 5	18'-7"	
v ₂₄ (E)	31	# 5	17'-5"	
v ₂₅ (E)	31	# 5	16'-1"	
v ₂₆ (E)	31	# 5	14'-10"	
v ₂₇ (E)	23	# 5	13'-9"	
v ₂₈ (E)	32	# 5	8'-10"	
Protective Coat	Sq. Yd.		1,288	
Form Liner Textured Surface	Sq. Ft.		6,296	
Concrete Structures	Cu. Yd.		358.4	
Reinforcement Bars, Epoxy Coated	Pound		68,610	
Pipe Underdrains for Structures 4"	Foot		820	
Concrete Superstructure	Cu. Yd.		91.3	
Staining Concrete Structures	Sq. Ft.		9,315	

N:\PROJECTS\000339333\CONTRACT_2\Design\Structural\CAD\Retaining Wall-3.09.dgn
 USER NAME = ngjurgj
 DESIGNED - APD
 CHECKED - BWS
 PLOT SCALE = 5/4,0000 1/4" = 1'-0"
 PLOT DATE = 8/12/2015
 REVISED -
 REVISED -
 REVISED -
 REVISED -
 REVISED -
 REVISED -
 DRAWN - RD
 CHECKED - JUH
 STATE OF ILLINOIS
 DEPARTMENT OF TRANSPORTATION
 SOLDIER PILE WALL GENERAL DETAILS - 1
 S.N. 081-P004
 SHEET NO. SM-10 OF SM-15 SHEETS
 F.A.P. RTE. 595 SECTION (142-1, 142)R COUNTY ROCK ISLAND TOTAL SHEETS 1353 SHEET NO. 1041
 CONTRACT NO. 64883
 ILLINOIS FED. AID PROJECT

