

STATE OF ILLINOIS
DEPARTMENT OF TRANSPORTATION
DIVISION OF HIGHWAYS

**PROPOSED
HIGHWAY PLANS**

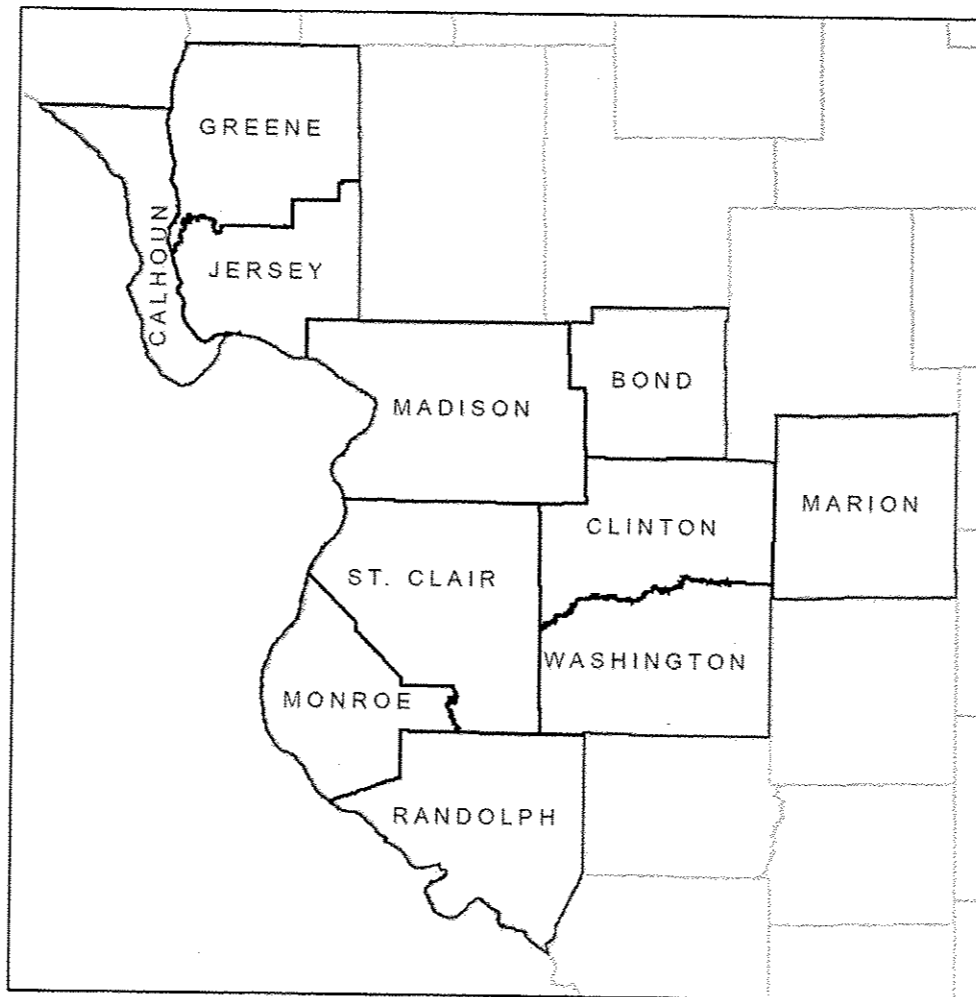
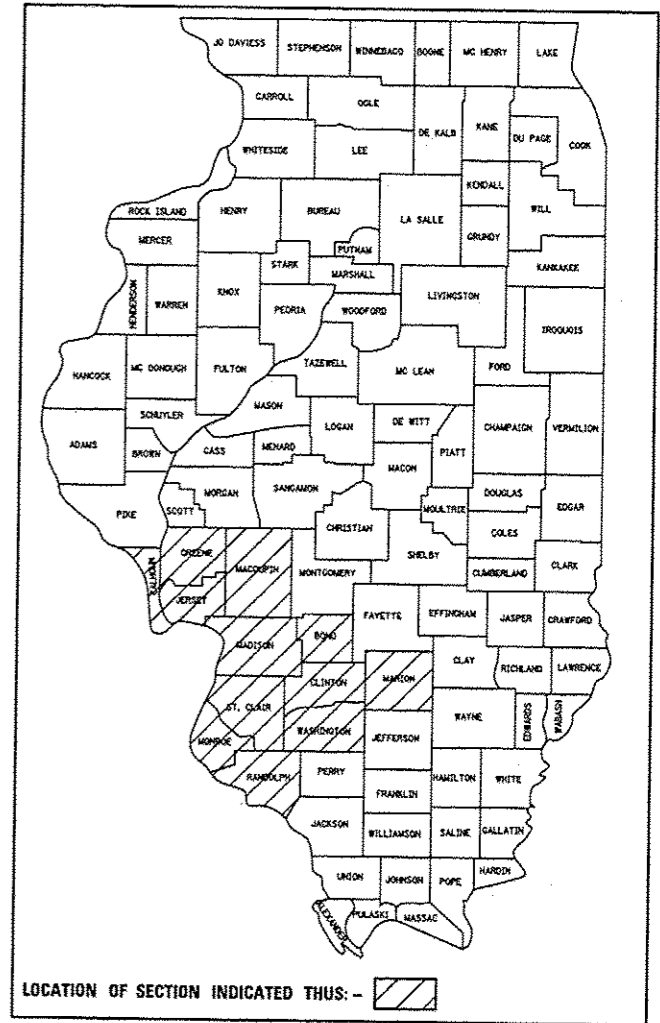
VARIOUS ROUTES
SECTION DIST 8 GUARDRAIL 2016-1
SAFETY ITEM REPAIR
VARIOUS COUNTIES

C-98-005-15

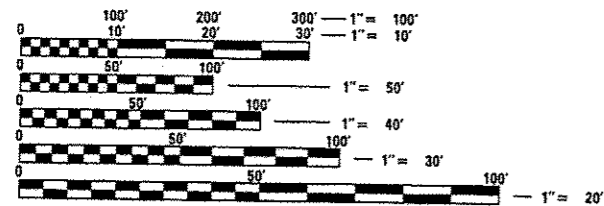
FOR INDEX OF SHEETS, SEE SHEET NO. 2

F.A. RTE.	SECTION	COUNTY	TOTAL SHEETS	SHEET NO.
VARIOUS	DIST 8 GUARDRAIL 2016-1	VARIOUS	12	1
		ILLINOIS	CONTRACT NO. 76H52	

D-98-008-15



NOT TO SCALE



FULL SIZE PLANS HAVE BEEN PREPARED USING STANDARD ENGINEERING SCALES. REDUCED SIZED PLANS WILL NOT CONFORM TO STANDARD SCALES. IN MAKING MEASUREMENTS ON REDUCED PLANS, THE ABOVE SCALES MAY BE USED.

J.U.L.I.E.
JOINT UTILITY LOCATION INFORMATION FOR EXCAVATION
1-800-892-0123
OR 811

PROJECT ENGINEER: PATTI LeBEAU 618-346-3179
PROJECT DESIGNER: KAREN CHALLANDES 618-346-3329

CONTRACT NO. 76H52

STATE OF ILLINOIS
DEPARTMENT OF TRANSPORTATION
DIVISION OF HIGHWAYS

SUBMITTED March 23, 2015

Jeffrey Z. K...
DEPUTY DIRECTOR OF HIGHWAYS, REGION 5 ENGINEER

May 8, 2015
Dan D. Baranzelli, PE
ENGINEER OF DESIGN AND ENVIRONMENT

May 8, 2015
Chris Osman, PE
DIRECTOR OF HIGHWAYS, CHIEF ENGINEER

PRINTED BY THE AUTHORITY
OF THE STATE OF ILLINOIS

GENERAL NOTES

1. BEFORE ORDERING THE IMPACT ATTENUATORS, THE CONTRACTOR MUST CONTACT THE OPERATIONS FIELD ENGINEER AT (618) 346-3279 OR (618) 346-3233 TO RECEIVE APPROVAL OF THE PROPOSED INSTALLATION.
2. ALL WORK IS TO BE REPLACED IN KIND OR AS INDICATED ON THE CONTRACT PLANS AND PROVISIONS.
3. THE LOCATIONS OF THE REPAIR AREAS SHALL BE DETERMINED BY THE ENGINEER.
4. GUARDRAIL WORK WILL INCLUDE ALIGNMENT AS NECESSARY TO RESTORE THE RAIL AND POST TO THE ORIGINAL CONDITIONS.
5. NO MATERIAL SHALL BE LEFT ON OR NEAR THE ROADWAY DURING NON-WORKING HOURS.
6. ANY NECESSARY TRAFFIC CONTROL WILL BE PROVIDED BY THE CONTRACTOR; APPROPRIATE STANDARDS ARE LISTED IN THE PLANS AND CONTRACT DOCUMENTS.
7. THE LIMITS OF THE DAMAGED GUARDRAIL WILL BE MARKED WITH PAINT. THE REPLACEMENT PARTS AND THE QUANTITIES INDICATED ARE WITHIN THESE LIMITS AS MARKED.
8. GUARDRAIL MARKERS SHALL NOT BE ATTACHED TO TERMINAL SECTIONS. ALL OTHER MARKERS SHALL BE PLACED AT THE DISCRETION OF THE ENGINEER. COST OF MARKERS TO BE INCLUDED IN THE GUARDRAIL PAY ITEMS.
9. ILLINOIS STATE LAW REQUIRES A 48-HOUR NOTICE TO BE GIVEN TO UTILITIES BEFORE DIGGING. FIELD MARKING OF FACILITIES MAY BE OBTAINED BY CONTACTING J.U.L.I.E. (PHONE: 800-892-0123) OR FOR NON-MEMBER, THE UTILITY COMPANY DIRECTLY.
10. WHEN NO WORK IS BEING PERFORMED, THE FLAGGERS WILL NOT BE REQUIRED. IF THE FLAGGERS ARE NOT PRESENT, THE FLAGGER SIGNS SHALL BE REMOVED OR COVERED.
11. PRIOR TO ORDERING ANY MATERIALS, THE CONTRACTOR SHALL CONFIRM THE TYPES AND SPECIFIC MANUFACTURER FOR THE GUARDRAIL AND CABLE REPAIRS REQUIRED.
12. 45 AND 55 MPH SIGNS ARE INCLUDED IN ALL INTERSTATE LANE CLOSURES. IF THE LANE CLOSURE DURATION IS LESS THAN 4 HOURS, THE 45 AND 55 MPH SIGNS ARE NOT REQUIRED.
13. ANY WORK ORDER MAY BE CANCELED AT THE ENGINEER'S DISCRETION.
14. CORTEN ITEMS SHALL BE PAID FOR THE SAME AS REGULAR ITEMS.
15. NO OVERNIGHT LANE CLOSURES WILL BE ALLOWED.
16. ARTICLE 701.20 OF THE STANDARD SPECIFICATIONS DISCUSSES AN ADJUSTED UNIT PRICE. NO ADJUSTMENTS SHALL BE MADE TO THE TRAFFIC CONTROL PAY ITEMS FOR THIS CONTRACT.
17. THE CONTRACTOR SHALL BE ADVISED THAT THE GUARDRAIL PAY ITEMS INCLUDED IN THE PLANS MAY BE USED TO REPLACE/REPAIR SPBGR AND TRAFFIC BARRIER TERMINALS FOR EITHER THE CURRENT MIDWEST STYLES AS SHOWN IN THE HIGHWAY STANDARDS OR SPBGR AND TRAFFIC BARRIER TERMINALS INSTALLED PRIOR TO JANUARY 1, 2007 AS SHOWN IN THE PLAN DETAILS. NO ADDITIONAL COMPENSATION WILL BE ALLOWED FOR UTILIZING THE CURRENT MIDWEST STANDARDS.
18. THE DEPARTMENT STRONGLY ENCOURAGES THE PRIME CONTRACTOR AND THEIR APPROVED SUB-CONTRACTORS TO HIRE MINORITY, WOMEN AND DISADVANTAGED INDIVIDUALS FROM ITS FEDERALLY FUNDED HIGHWAY CONSTRUCTION CAREERS TRAINING PROGRAM (HCCTP) TO HELP MEET WORKFORCE AND TRAINEE GOALS. THIS PROGRAM IS TRAINING MINORITIES, WOMEN AND DISADVANTAGED INDIVIDUALS IN HIGHWAY CONSTRUCTION-RELATED SKILLS, E.G., MATH FOR THE TRADES, JOB READINESS, TECHNICAL SKILLS COURSEWORK (CARPENTRY, CONCRETE FLATWORK, BLUEPRINT READING, SITE PLANS, SITE WORK, TOOLS USE, ETC.) AND OSHA 10 HOUR CERTIFICATION, TO PREPARE THEM FOR A CAREER IN THE HIGHWAY CONSTRUCTION TRADES. GRADUATES ARE WELL-TRAINED AND READY TO BECOME PRODUCTIVE ENTRY-LEVEL CONSTRUCTION WORKERS. CONTACT THE DISTRICT EEO OFFICE AT 618-346-3360 AND/OR THE HCCTP COORDINATOR AT 618-874-6528 TO LEARN MORE ABOUT THE PROGRAM AND FOR ASSISTANCE IN MEETING WORKFORCE AND TRAINEE GOALS.

INDEX OF SHEETS

1. COVER SHEET
2. GENERAL NOTES, INDEX OF SHEETS STANDARDS, AND COMMITMENTS
- 3.-5. SUMMARY OF QUANTITIES
6. HIGH TENSION CABLE LOCATION MAP
- 7.-12. GUARDRAIL DETAILS

COMMITMENTS
NONE

STANDARDS

000001-06	701106-02
630001-10	701201-04
630101-09	701301-04
630301-06	701400-08
631006-08	701406-09
631011-09	701421-07
631026-06	701428
631031-13	701456-03
635001-01	701501-06
635006-03	701502-06
636001-02	701601-09
701001-02	701602-07
701006-05	701606-10
701011-04	701701-09
701101-04	701901-04

FILE NAME =	USER NAME = challoandoske	DESIGNED -	REVISED -	STATE OF ILLINOIS DEPARTMENT OF TRANSPORTATION	GENERAL NOTES, INDEX OF SHEETS STANDARDS, AND COMMITMENTS	F.A. RTE.	SECTION	COUNTY	TOTAL SHEETS	SHEET NO.
e:\p\work\p\dist\challoandoske\08407335	76H52-gennote.dgn	DRAWN -	REVISED -			VARIOUS	DIST 8 GUARDRAIL 2016-1	VARIOUS	12	2
	PLOT SCALE = 100.0000 / 1 in.	CHECKED -	REVISED -			CONTRACT NO. 76H52				
MODELNAME#	PLOT DATE = 3/18/2015	DATE -	REVISED -			SCALE: NONE	SHEET	OF	SHEETS	STA.
ILLINOIS FED. AID PROJECT										

CODE NO.	ITEM	UNIT	TOTAL QUANTITY	CONSTRUCTION CODE		
				CONT. MAINT.	MCHDF	HTMCB
				0021	0021	0021
63000350	LONG-SPAN GUARDRAIL OVER CULVERT, 12 FT 6 IN SPAN	FOOT	162.5	162.5		
63100041	TRAFFIC BARRIER TERMINAL, TYPE 1B	EACH	2		2	
63100045	TRAFFIC BARRIER TERMINAL, TYPE 2	EACH	7	4	3	
63100070	TRAFFIC BARRIER TERMINAL, TYPE 5	EACH	5	4	1	
63100085	TRAFFIC BARRIER TERMINAL, TYPE 6	EACH	9	8	1	
63100167	TRAFFIC BARRIER TERMINAL, TYPE 1 (SPECIAL) TANGENT	EACH	83	65	18	
63100169	TRAFFIC BARRIER TERMINAL, TYPE 1 (SPECIAL) FLARED	EACH	25	5	20	
64300260	IMPACT ATTENUATORS (FULLY REDIRECTIVE, NARROW), TEST LEVEL 3	EACH	5	3	2	
64300370	IMPACT ATTENUATORS (FULLY REDIRECTIVE, WIDE), TEST LEVEL 3	EACH	5	3	2	
67100100	MOBILIZATION	L SUM	1	0.33	0.34	0.33
X0325972	CABLE GUARD POST	EACH	340			340
X0326466	HIGH TENSION CABLE POST REPAIR	EACH	80			80
X0326468	MEDIAN CABLE	FOOT	300			300
X6300210	GUARDRAIL BLOCKS	EACH	785	400	385	

FILE NAME =	USER NAME = ehallendaka	DESIGNED -	REVISED -	STATE OF ILLINOIS DEPARTMENT OF TRANSPORTATION	SUMMARY OF QUANTITIES				F.A. RTE.	SECTION	COUNTY	TOTAL SHEETS	SHEET NO.
c:\pwwork\pwwork\ehallendaka\08187335	76H52-S00.dgn	DRAWN -	REVISED -						VARIOUS	DIST B GUARDRAIL 2016-1	VARIOUS	32	3
#MODELNAME	PLOT SCALE = 100.0000 / 1"	CHECKED -	REVISED -		SCALE: NONE	SHEET	OF	SHEETS	STA.	TO STA.	CONTRACT NO. 76H52		
	PLOT DATE = 3/19/2015	DATE -	REVISED -		ILLINOIS FED. AID PROJECT								

CODE NO.	ITEM	UNIT	TOTAL QUANTITY	CONSTRUCTION CODE		
				CONT. MAINT. 0021	MCHDF 0021	HTMCB 0021
X6300215	RAIL ELEMENT PLATES	EACH	510	200	310	
X6300217	RAIL ELEMENT PLATES (RADIUS)	EACH	50	25	25	
X6300220	EXTRUDER HEAD	EACH	15	10	5	
X6300225	SINGLE END SECTION	EACH	3	2	1	
X6300231	STEEL POST, ATTACHED TO STRUCTURES	EACH	7	3	4	
X6300236	STEEL POSTS 6'	EACH	625	300	325	
X6300239	STEEL POSTS 9'	EACH	250	100	150	
X6331110	STEEL POSTS, SPECIAL	EACH	12	10	2	
X6430210	REMOVE AND REINSTALL IMPACT ATTENUATORS	EACH	85	20	65	
X7010410	SPEED DISPLAY TRAILER	CAL MD	1	1		
X7011834	TRAFFIC CONTROL AND PROTECTION, CALL OUT WORK	EACH	296	176	120	
X7011836	TRAFFIC CONTROL AND PROTECTION, FREEWAY/EXPRESSWAY, CALL OUT WORK	EACH	275	75	100	100
* X8030110	LOCATING UNDERGROUND CABLE, SPECIAL	EACH	7	5	2	
Z0029655	HIGH TENSION CABLE ROAD GUARDPOST	EACH	825			825

14

* SPECIALTY ITEM

FILE NAME =	USER NAME = ohallendoska	DESIGNED -	REVISED -
c:\pwwork\psidot\ohallendoska\d0407335	76H52-900.dgn	DRAWN -	REVISED -
#MODELNAME	PLOT SCALE = 100.0000' / 1" =	CHECKED -	REVISED -
	PLOT DATE = 3/19/2015	DATE -	REVISED -

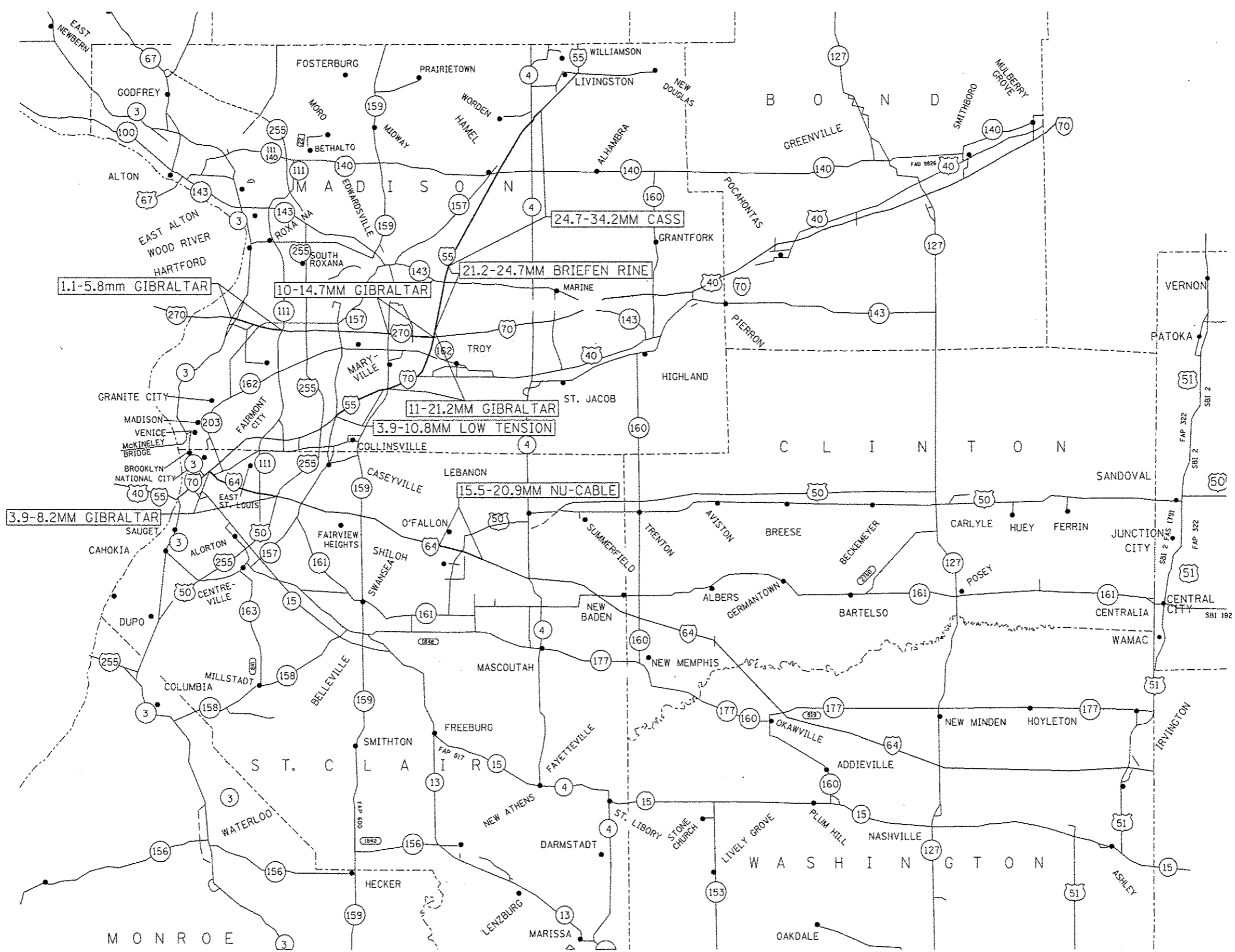
STATE OF ILLINOIS
DEPARTMENT OF TRANSPORTATION

SUMMARY OF QUANTITIES

SCALE: NONE SHEET OF SHEETS STA. TO STA.

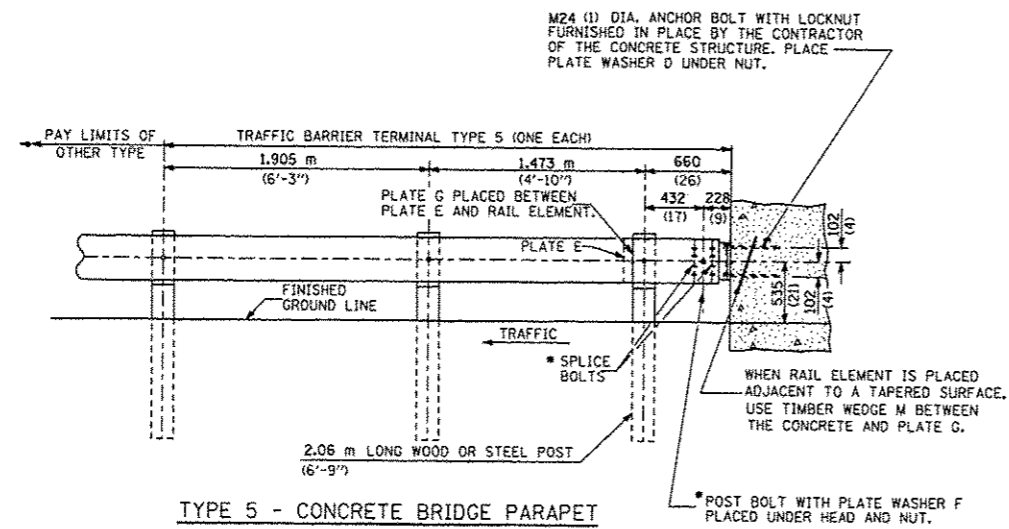
F.A. RTE.	SECTION	COUNTY	TOTAL SHEETS	SHEET NO.
VARIOUS/DIST 8	GUARDRAIL 2016-1	VARIOUS	12	4
ILLINOIS FED. AID PROJECT			CONTRACT NO. 76H52	

REV.

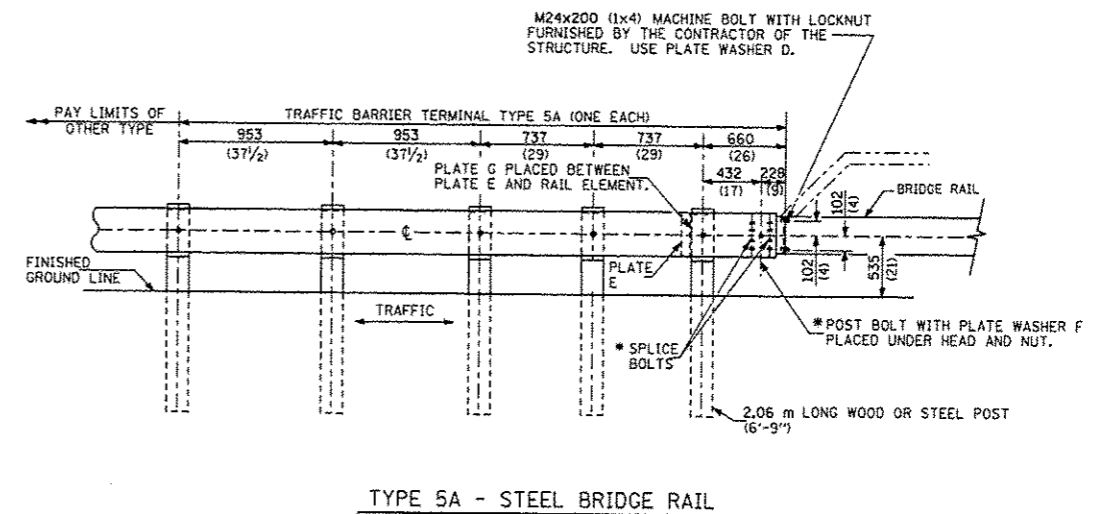


FOR INFORMATION ONLY.
 CONTRACTOR SHALL CONFIRM
 SYSTEM TYPE PRIOR TO
 ORDERING MATERIALS.

FILE NAME =	USER NAME = chollandeska	DESIGNED -	REVISED -	STATE OF ILLINOIS DEPARTMENT OF TRANSPORTATION	HIGH TENSION CABLE LOCATION MAP			F.A. RTE.	SECTION	COUNTY	TOTAL SHEETS	SHEET NO.	
o:\p\work\p\dot\chollandeska\d8487335	76H52-locmap.dgn	DRAWN -	REVISED -		SCALE: NONE	SHEET	OF	SHEETS	STA.	TO STA.	VARIOUS	12	6
	PLOT SCALE = 100.0000' / in.	CHECKED -	REVISED -								CONTRACT NO. 76H52		
#MODELNAME#	PLOT DATE = 3/18/2015	DATE -	REVISED -								ILLINOIS FED. AID PROJECT		



TYPE 5 - CONCRETE BRIDGE PARAPET



TYPE 5A - STEEL BRIDGE RAIL

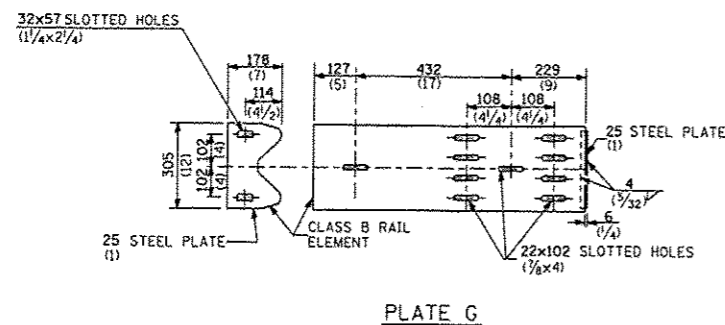


PLATE G

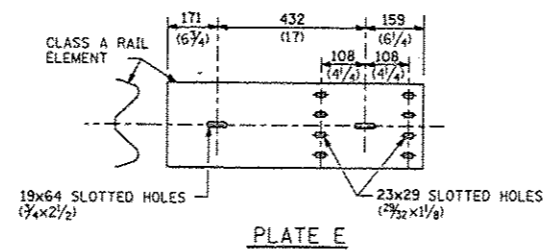
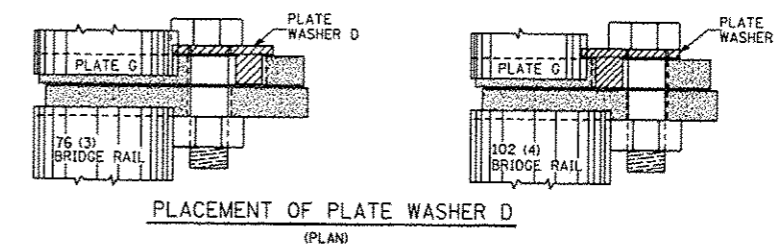


PLATE E



PLACEMENT OF PLATE WASHER D (PLAN)

GENERAL NOTES

INSTALL PLATE WASHER D SO THAT THE 25 mm (1") PROJECTION FILLS THE REMAINDER OF THE SLOTTED HOLES IN THE 25 mm (1") END PLATE ON PLATE G AFTER THE M24 (1") DIA. BOLTS ARE IN PLACE.

* BOLTS SHALL BE PROVIDED WITH LOCKNUT OR DOUBLE NUT AND SHALL BE TIGHTENED ONLY TO A POINT THAT WILL ALLOW PLATE G TO BE FREE TO MOVE WHEN AN EXPANSION JOINT EXISTS BELOW THE CONNECTOR.

ALL DIMENSIONS ARE IN MILLIMETERS (INCHES) UNLESS OTHERWISE SHOWN.

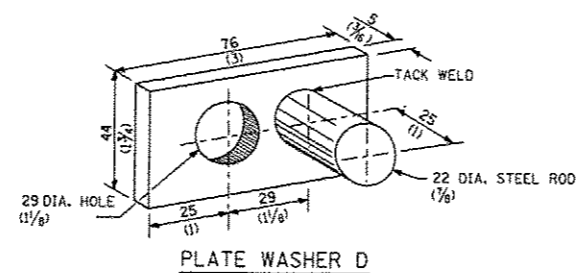
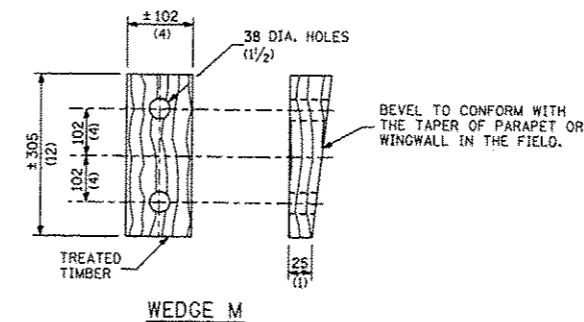


PLATE WASHER D

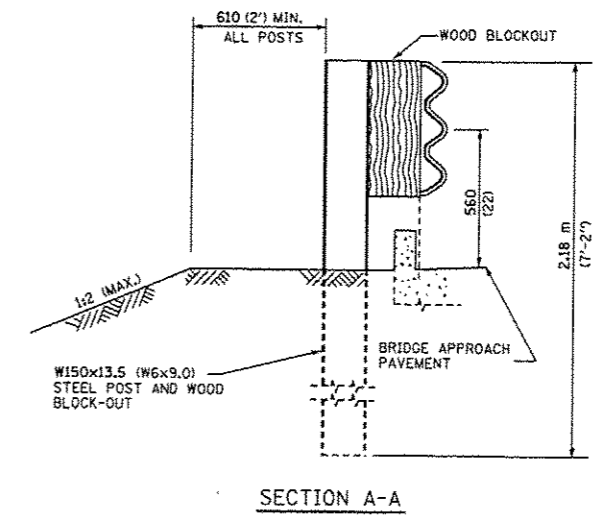
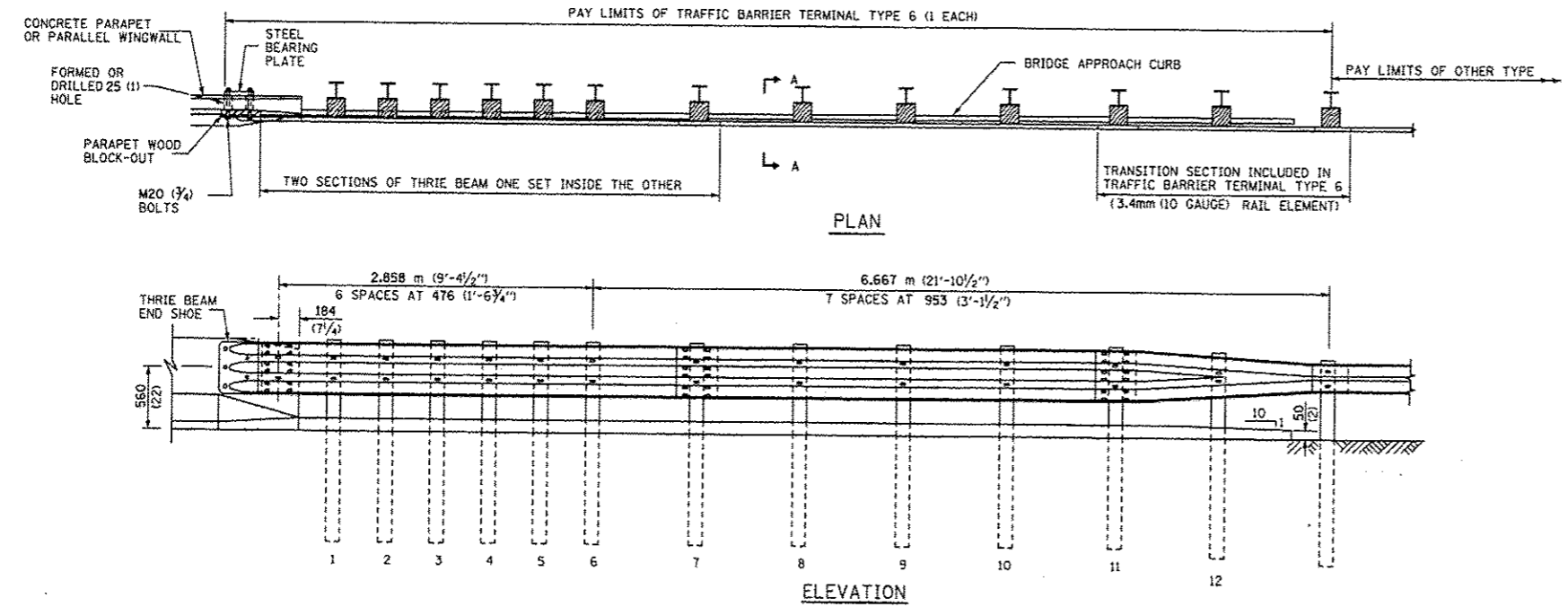


WEDGE M

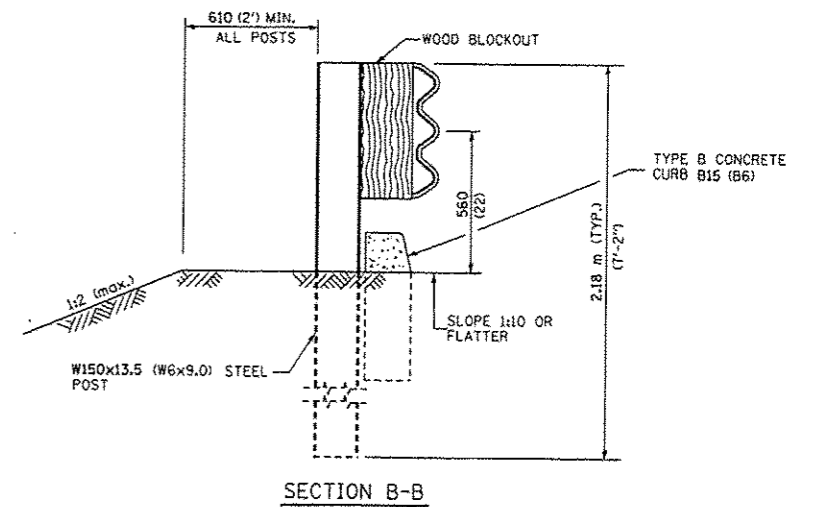
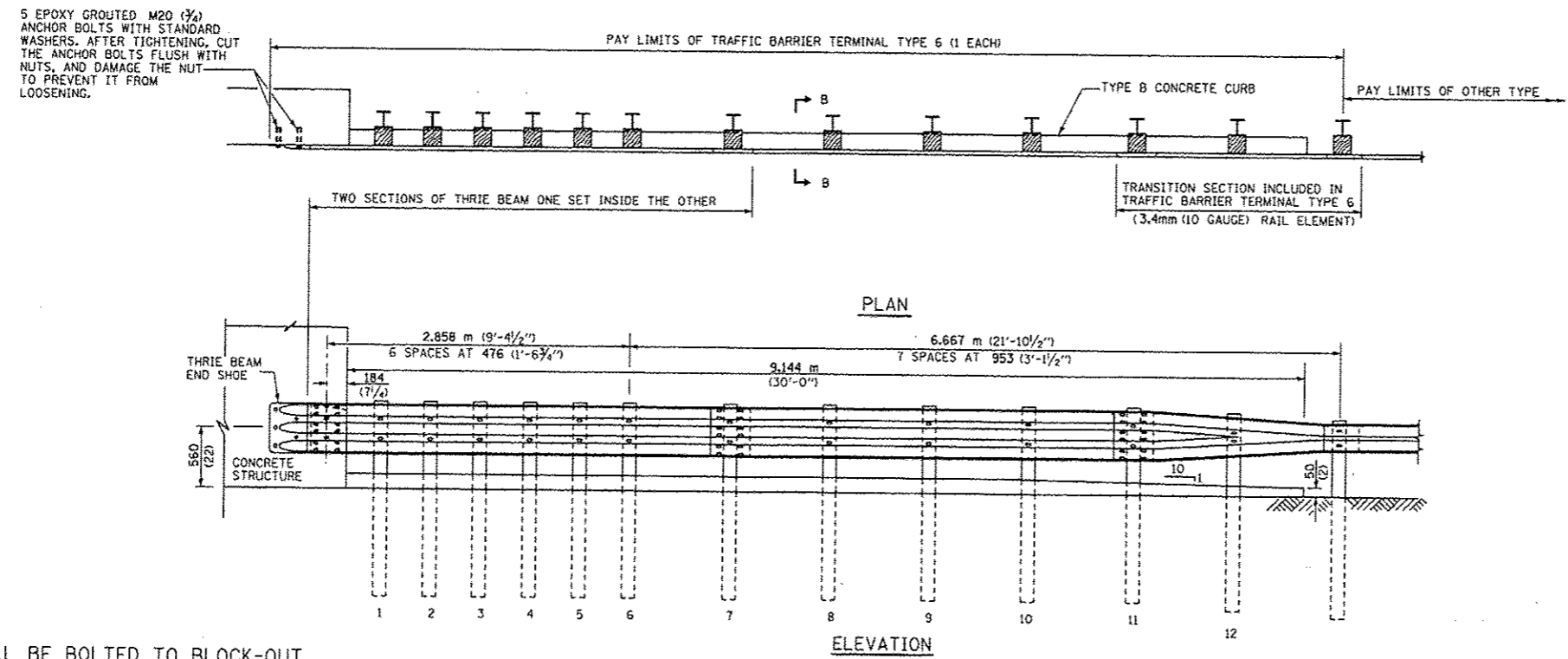
THIS DETAIL IS APPLICABLE TO THE GUARDRAIL SYSTEM USED PRIOR TO JANUARY 1, 2007. FOR DETAILS ON THE MIDWEST GUARDRAIL SYSTEM, SEE STANDARD 630001.

FILE NAME =	USER NAME = ohallandeska	DESIGNED -	REVISED -	STATE OF ILLINOIS DEPARTMENT OF TRANSPORTATION	TRAFFIC BARRIER TERMINAL TYPE 5 & 5A			F.A. RTE.	SECTION	COUNTY	TOTAL SHEETS	SHEET NO.		
ci:\p\work\p\rida\ohallandeska\d8487335\76H52-deta1.dgn		DRAWN -	REVISED -		SCALE: NONE	SHEET 1	OF 1	SHEETS STA.	TO STA.	VARIOUS	DIST 8 GUARDRAIL 2016-1	VARIOUS	12	7
#MODELNAME#		CHECKED -	REVISED -		CONTRACT NO. 76H52									
		DATE -	REVISED -		ILLINOIS FED. AID PROJECT									

PARAPET OR WINGWALL



OTHER CONCRETE STRUCTURE

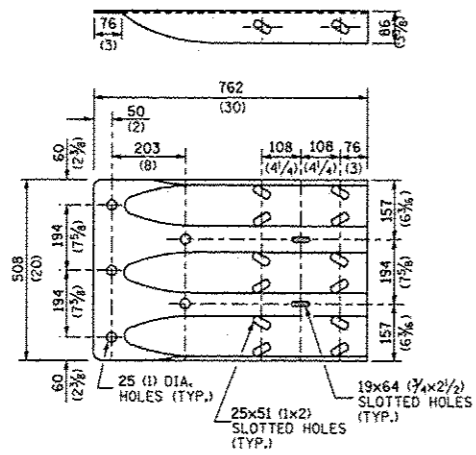


GENERAL NOTES

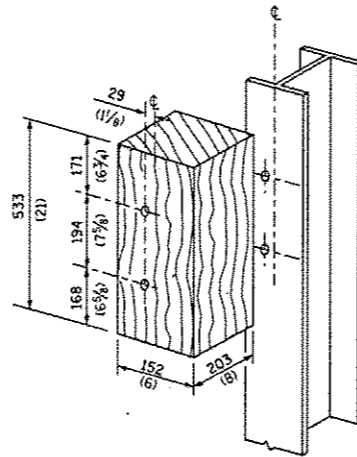
THRIE BEAM RAIL SHALL BE BOLTED TO BLOCK-OUT AT ALL POSTS.
 ALL SLOPE RATIOS ARE EXPRESSED AS UNITS OF VERTICAL DISPLACEMENT TO UNITS OF HORIZONTAL DISPLACEMENT (V:H).
 ALL DIMENSIONS ARE IN MILLIMETERS (INCHES) UNLESS OTHERWISE SHOWN.

THIS DETAIL IS APPLICABLE TO THE GUARDRAIL SYSTEM USED PRIOR TO JANUARY 1, 2007. FOR DETAILS ON THE MIDWEST GUARDRAIL SYSTEM, SEE STANDARD 630001.

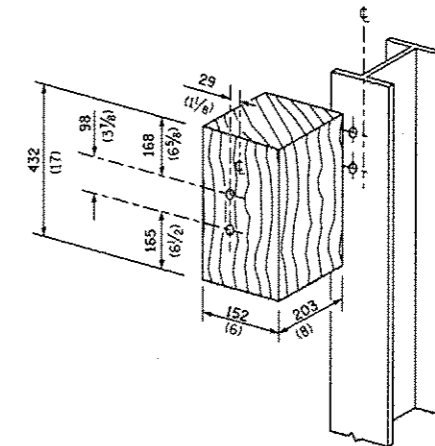
FILE NAME =	USER NAME = oballandeske	DESIGNED -	REVISED -	STATE OF ILLINOIS DEPARTMENT OF TRANSPORTATION	TRAFFIC BARRIER TERMINAL, TYPE 6	F.A. RTE.	SECTION	COUNTY	TOTAL SHEETS	SHEET NO.
oi:\p\work\p\oidot\oballandeske\40407335\76H52-details.dgn	DRAWN -	REVISED -	VARIOUS			DIST 8 GUARDRAIL 2016-1	VARIOUS	12	8	
PLOT SCALE = 100.0000' / 1"	CHECKED -	REVISED -	SCALE: NONE SHEET 1 OF 2 SHEETS STA. TO STA.			CONTRACT NO. 76H52				
MODELNAME#	DATE -	REVISED -	ILLINOIS FED. AID PROJECT							



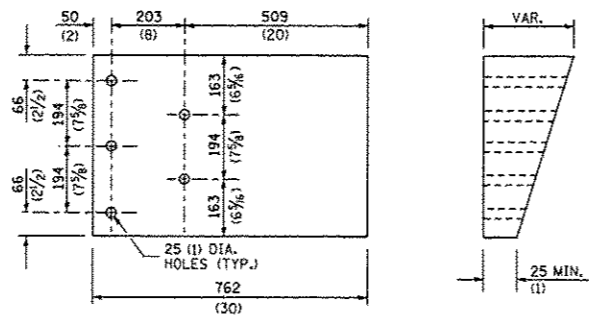
THRIE BEAM END SHOE DETAIL



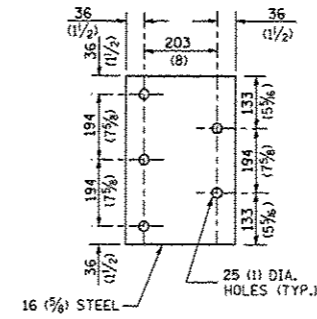
POSTS 1-11 WOOD BLOCKOUT DETAIL



POST 12 WOOD BLOCKOUT DETAIL



PARAPET WOOD BLOCK-OUT DETAIL

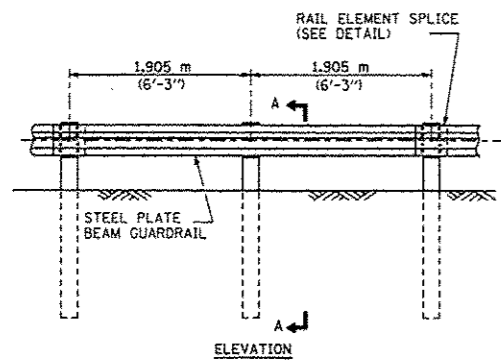


PARAPET STEEL BEARING PLATE DETAIL

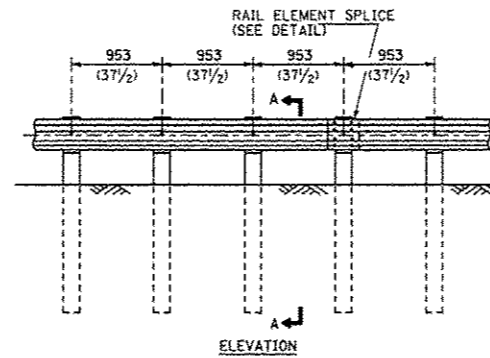
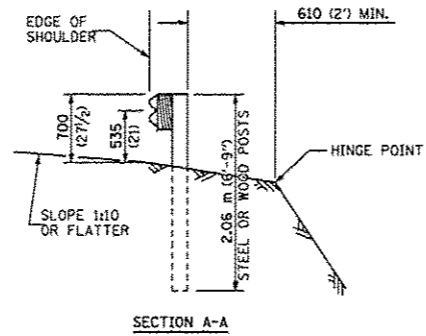
15 EACH INDIVIDUAL 125x125x16 (5x5x5/8) STEEL PLATES WITH CENTERED 25 (1) HOLES MAY BE SUBSTITUTED FOR THE PLATE SHOWN.

THIS DETAIL IS APPLICABLE TO THE GUARDRAIL SYSTEM USED PRIOR TO JANUARY 1, 2007. FOR DETAILS ON THE MIDWEST GUARDRAIL SYSTEM, SEE STANDARD 630001.

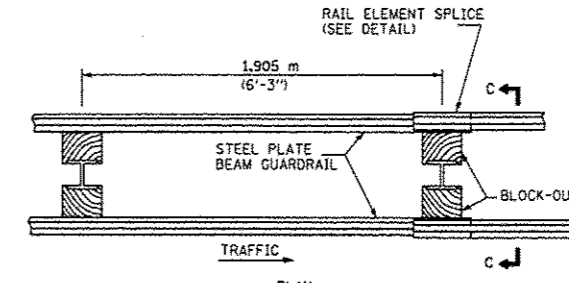
FILE NAME =	USER NAME = chaliendaska	DESIGNED -	REVISED -	STATE OF ILLINOIS DEPARTMENT OF TRANSPORTATION	TRAFFIC BARRIER TERMINAL, TYPE 6			F.A. RTE.	SECTION	COUNTY	TOTAL SHEETS	SHEET NO.
c:\pwork\pwork\chaliendaska\08487335	76H52-details.dgn	DRAWN -	REVISED -		VARIOUS	DIST 8 GUARDRAIL 2016-1	VARIOUS	12	9			
	PLOT SCALE = 100.0000' / in.	CHECKED -	REVISED -		CONTRACT NO. 76H52							
#MODELNAME#	PLOT DATE = 3/18/2015	DATE -	REVISED -		SCALE: NONE	SHEET 2 OF 2 SHEETS	STA. TO STA.	ILLINOIS FED. AID PROJECT				



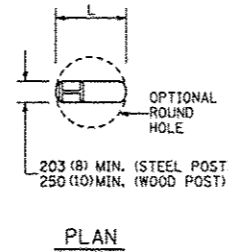
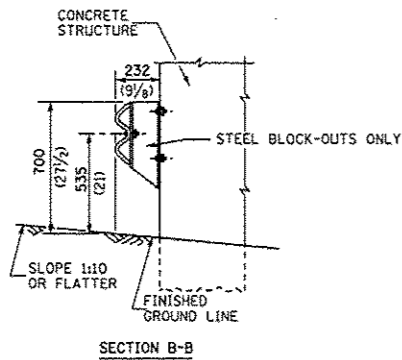
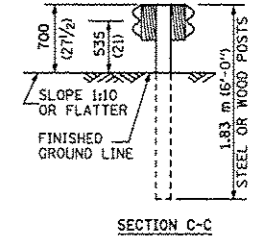
TYPE A
1.905 m (6'-3") TYPICAL POST SPACING



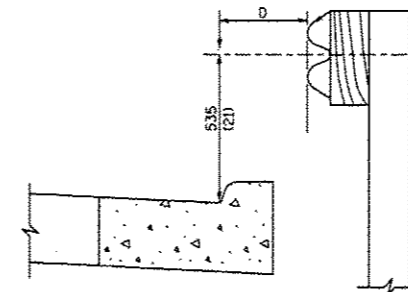
TYPE B
953 (37 1/2) CLOSED POST SPACING



TYPE D
DOUBLE STEEL PLATE BEAM GUARDRAIL
1.905 m (6'-3") TYPICAL POST SPACING

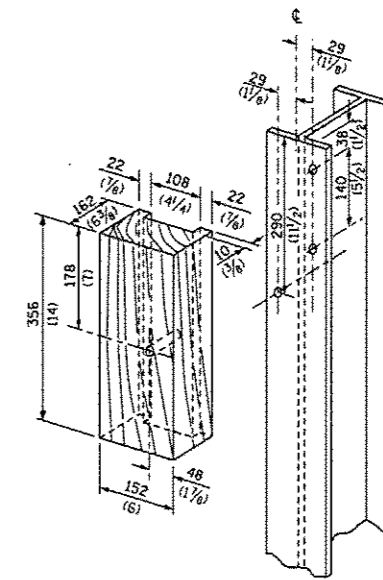


PLAN

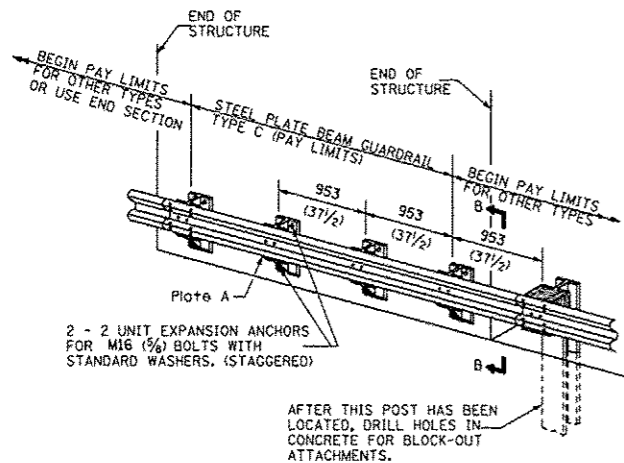


NOTE:
IF IT IS NECESSARY FOR D TO BE MORE THAN 300 (12) AND LESS THAN 3.0 m (10'-0") TYPE M-5 (M-2) CURB AND GUTTER (STD. 606001) SHALL BE USED IN FRONT OF AND IN ADVANCE OF THE GUARDRAIL.

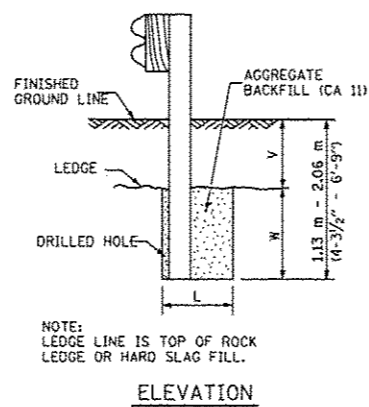
GUARDRAIL PLACED BEHIND CURB
(D = 0 DESIRABLE TO 300 (12) MAXIMUM)



WOOD BLOCK-OUT AND STEEL POST DETAILS

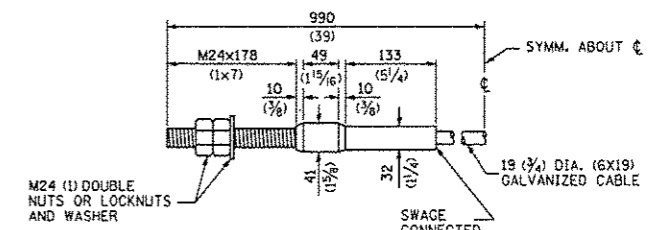


TYPE C
953 (37 1/2) BLOCK-OUT SPACING



FOOTING FOR POST WHEN IMPERVIOUS MATERIAL IS ENCOUNTERED

V	W	L	
		Steel Post	Wood Post
0 - 460 (0 - 18)	610 (24)	530 (21)	590 (23)
>460 - 825 (>18 - 41.5)	305 (12)	203 (8)	250 (10)
>825 - 1.13 m (>41.5 - 53.5)	305 - 0 (12 - 0)	203 (8)	250 (10)



CABLE ASSEMBLY
(18,100 kg (40,000 LBS.) MIN. BREAKING STRENGTH)
TIGHTEN TO TAUT TENSION.

THIS DETAIL IS APPLICABLE TO THE GUARDRAIL SYSTEM USED PRIOR TO JANUARY 1, 2007. FOR DETAILS ON THE MIDWEST GUARDRAIL SYSTEM, SEE STANDARD 630001.

GENERAL NOTES

ALL SLOPE RATIOS ARE EXPRESSED AS UNITS OF VERTICAL DISPLACEMENT TO UNITS OF HORIZONTAL DISPLACEMENT (V:H).

ALL DIMENSIONS ARE IN MILLIMETERS (INCHES) UNLESS OTHERWISE SHOWN.

THE EXISTING STEEL POSTS MAY BE DRILLED TO MATCH THE BOLT PATTERN SHOWN HEREIN FOR THE WOOD BLOCK-OUT, OR A NEW STEEL POST SHALL BE PROVIDED.

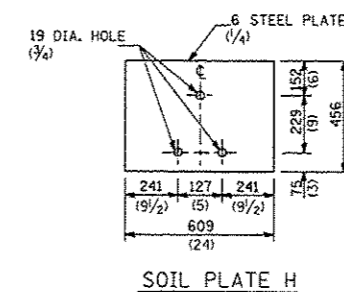
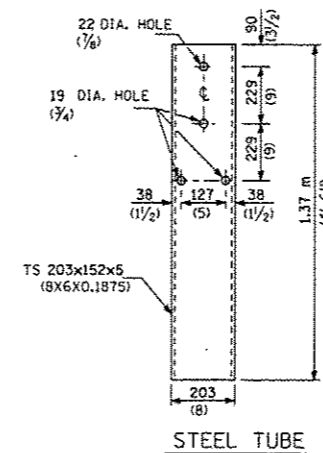
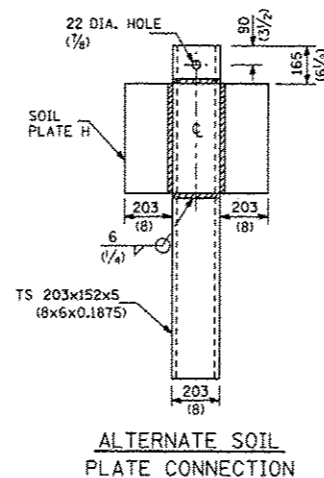
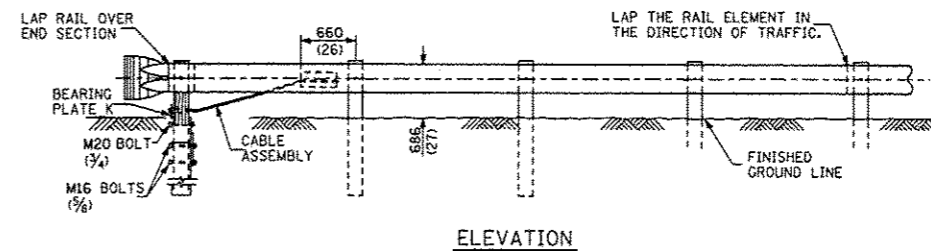
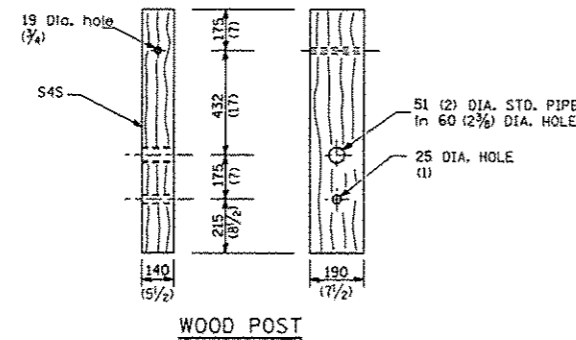
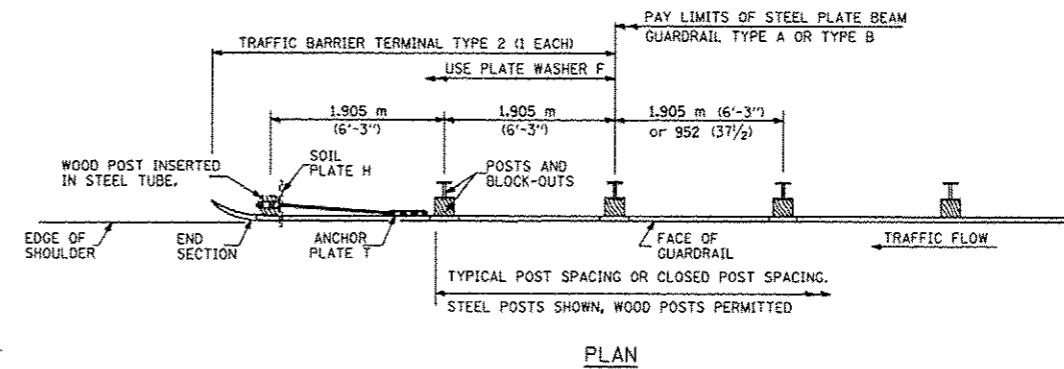
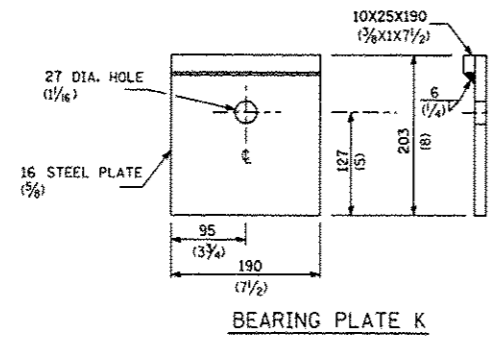
**STATE OF ILLINOIS
DEPARTMENT OF TRANSPORTATION**

STEEL PLATE BEAM GUARDRAIL

FILE NAME =	USER NAME = ohollandeska	DESIGNED -	REVISED -
or\p\work\p\dot\ohollandeska\d\2487335	76H52-details.dgn	DRAWN -	REVISED -
	PLOT SCALE = 100.0000 ' / m.	CHECKED -	REVISED -
#MODELNAME#	PLOT DATE = 3/18/2015	DATE -	REVISED -

SCALE: NONE SHEET 1 OF 2 SHEETS STA. TO STA.

F.A. RTE.	SECTION	COUNTY	TOTAL SHEETS	SHEET NO.
VARIOUS	DIST 8 GUARDRAIL 2016-1	VARIOUS	12	10
CONTRACT NO. 76H52				
ILLINOIS FEB. AID PROJECT				



GENERAL NOTES

USE PLATE WASHER F AT ALL POSTS.
 THE BEARING PLATE K SHALL BE HELD IN POSITION BY (2) TWO EIGHT PENNY NAILS DRIVEN INTO THE POST AND BENT OVER THE TOP OF THE PLATE.
 ALL DIMENSIONS ARE IN MILLIMETERS (INCHES) UNLESS OTHERWISE SHOWN.

THIS DETAIL IS APPLICABLE TO THE GUARDRAIL SYSTEM USED PRIOR TO JANUARY 1, 2007. FOR DETAILS ON THE MIDWEST GUARDRAIL SYSTEM, SEE STANDARD 630001.

FILE NAME =	USER NAME = ohallandeska	DESIGNED -	REVISED -	STATE OF ILLINOIS DEPARTMENT OF TRANSPORTATION	TRAFFIC BARRIER TERMINAL TYPE 2			F.A. RTE.	SECTION	COUNTY	TOTAL SHEETS	SHEET NO.			
cr:\pw-work\p\dot\ohallandeska\d8487335	76182-detail.dgn	DRAWN -	REVISED -					VARIOUS	DIST 8 GUARDRAIL 2016-1	VARIOUS	12	12			
	PLOT SCALE = 100.0000 / in.	CHECKED -	REVISED -					SCALE: NONE			SHEET 1	OF 1	SHEETS	STA.	TO STA.
#MODELNAME#	PLOT DATE = 3/18/2015	DATE -	REVISED -					ILLINOIS FEB. A10 PROJECT							
CONTRACT NO. 76H52															