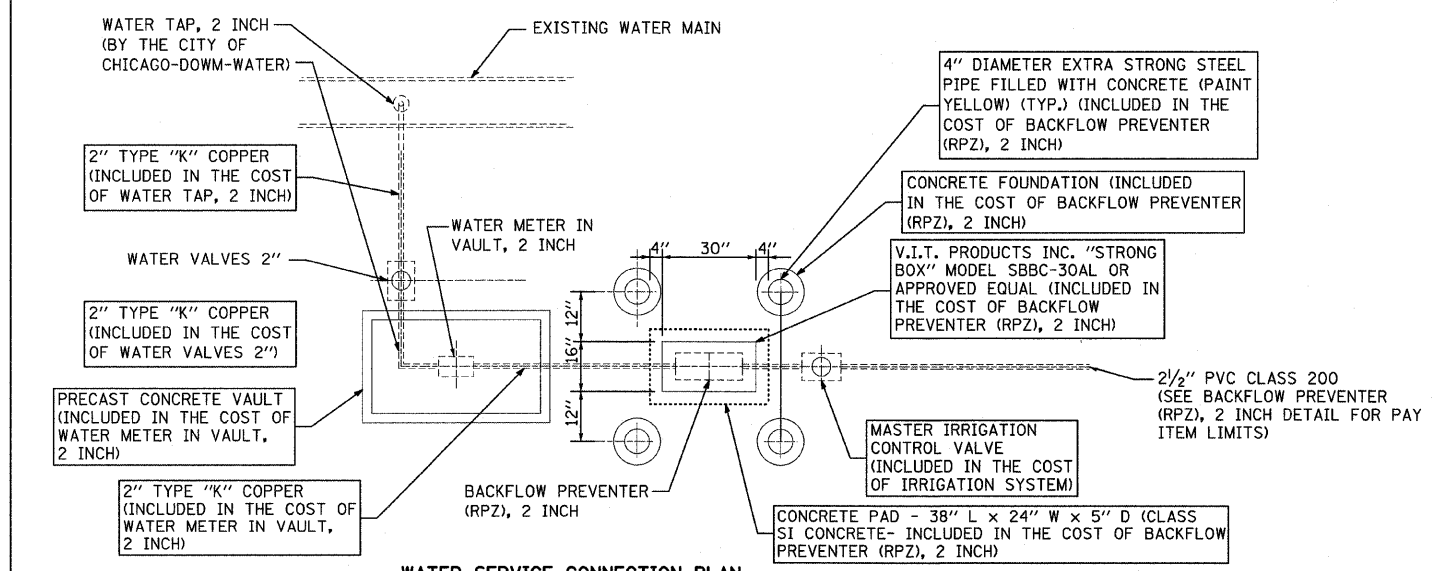


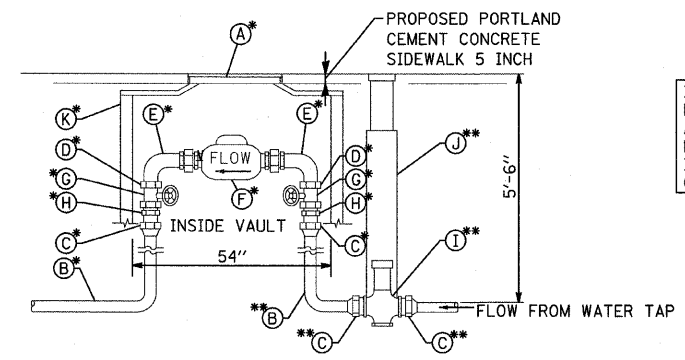
**TYPICAL METER INSTALLATION FOR 2" WATER SERVICE WITH BACK FLOW PREVENTER (RPZ), 2 INCH**

**BACKFLOW PREVENTER (RPZ), 2 INCH INSTALLATION LAYOUT**

**DETAIL OF BACKFLOW PREVENTER (RPZ), 2 INCH ENCLOSURE AND BOLLARDS**

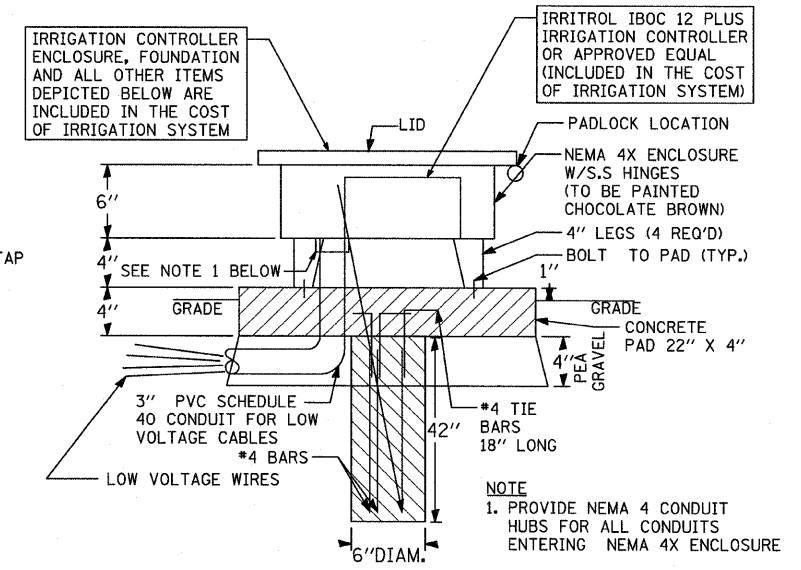


**WATER SERVICE CONNECTION PLAN (TYPICAL EQUIPMENT LAYOUT PLAN)**



- A FRAME AND LID (NEENAH R6662)
  - B 2" TYPE "K" COPPER PIPE
  - C FEMALE FLARED FITTING
  - D BRASS BUSHING
  - E BENT METER COUPLING
  - F METER
  - G FULL PORT CONTROL VALVE
  - H MALE I.P.S. TO FLARED ADAPTER
  - I ROUNDWAY
  - J WATER VALVE ASSEMBLY
  - K PRECAST CONCRETE VAULT
- \*- ITEMS ARE INCLUDED IN THE COST OF WATER METER IN VAULT, 2 INCH  
 \*\*-ITEMS ARE INCLUDED IN THE COST OF WATER VALVES 2"

**NEW COPPER 2" WATER SERVICE STANDARD METER VAULT**



**IRRIGATION CONTROLLER NEMA 4X ENCLOSURE - DETAIL N.T.S.**

REVISIONS	
NAME	DATE

6/20/2008 10:27:42 AM P:\02373\road\220\wrc\220.dwg