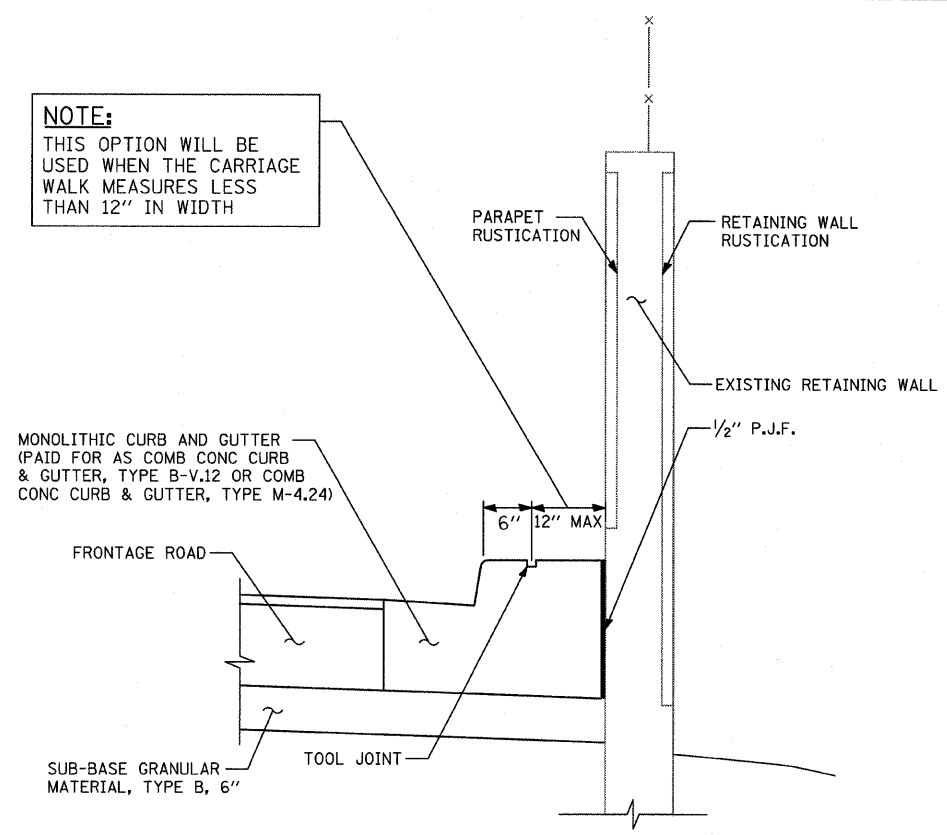


F.A.I. RTE.	SECTION	COUNTY	TOTAL SHEETS	SHEET NO.
94	2005-068 LS	COOK	58	46
STA. 153+09 (SB 1-57) TO STA. 257+76 (NB 1-57)	TO STA. 1214+95 (SB 1-94) TO STA. 2213+00 (NB 1-94)			
FED. ROAD DIST. NO.	ILLINOIS FED. AID PROJECT			

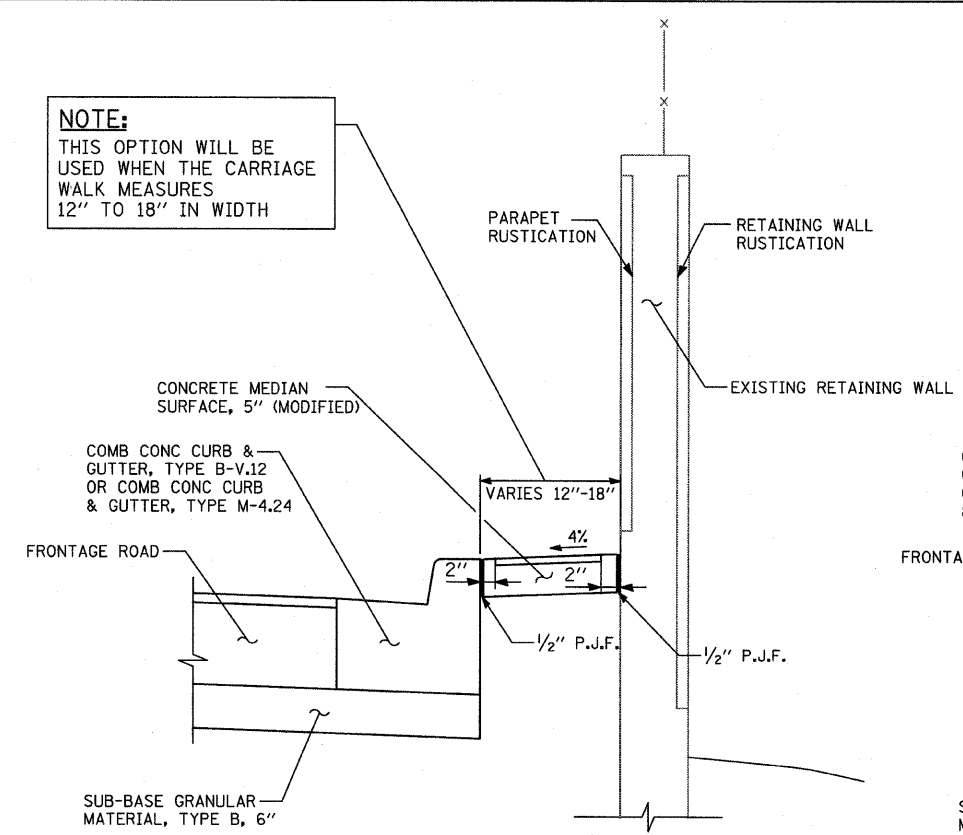
60A74

NOTE:
THIS OPTION WILL BE USED WHEN THE CARRIAGE WALK MEASURES LESS THAN 12" IN WIDTH



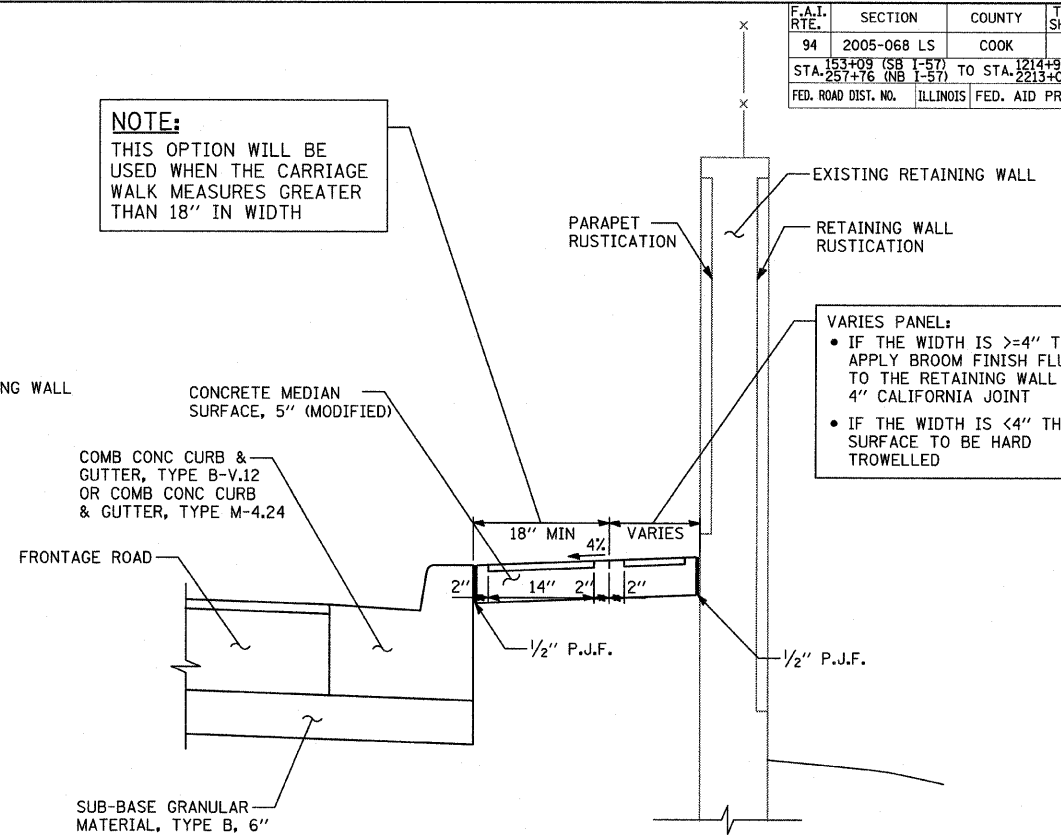
SECTION - CARRIAGE WALK "A"
WIDTH < 12"

NOTE:
THIS OPTION WILL BE USED WHEN THE CARRIAGE WALK MEASURES 12" TO 18" IN WIDTH



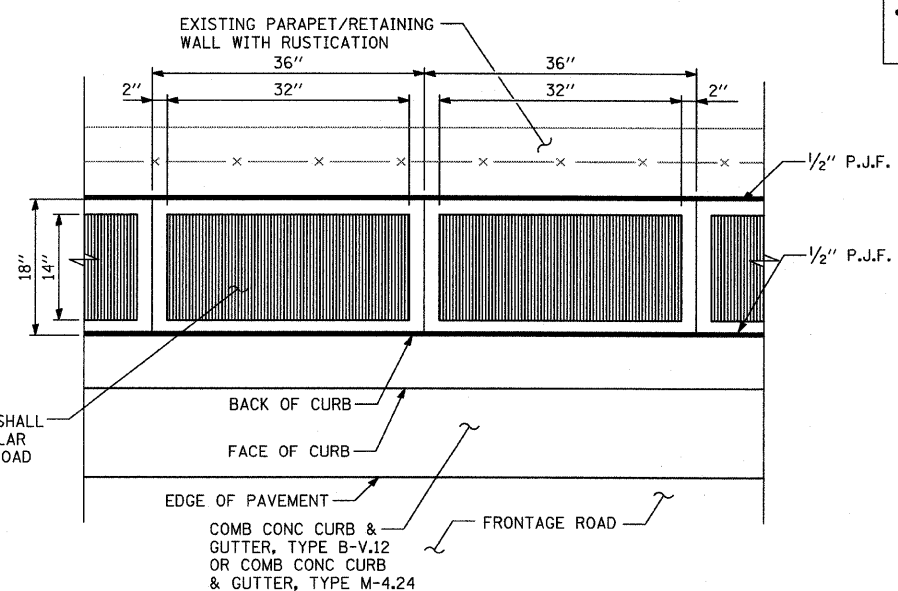
SECTION - CARRIAGE WALK "B"
WIDTH = 12" TO 18"

NOTE:
THIS OPTION WILL BE USED WHEN THE CARRIAGE WALK MEASURES GREATER THAN 18" IN WIDTH



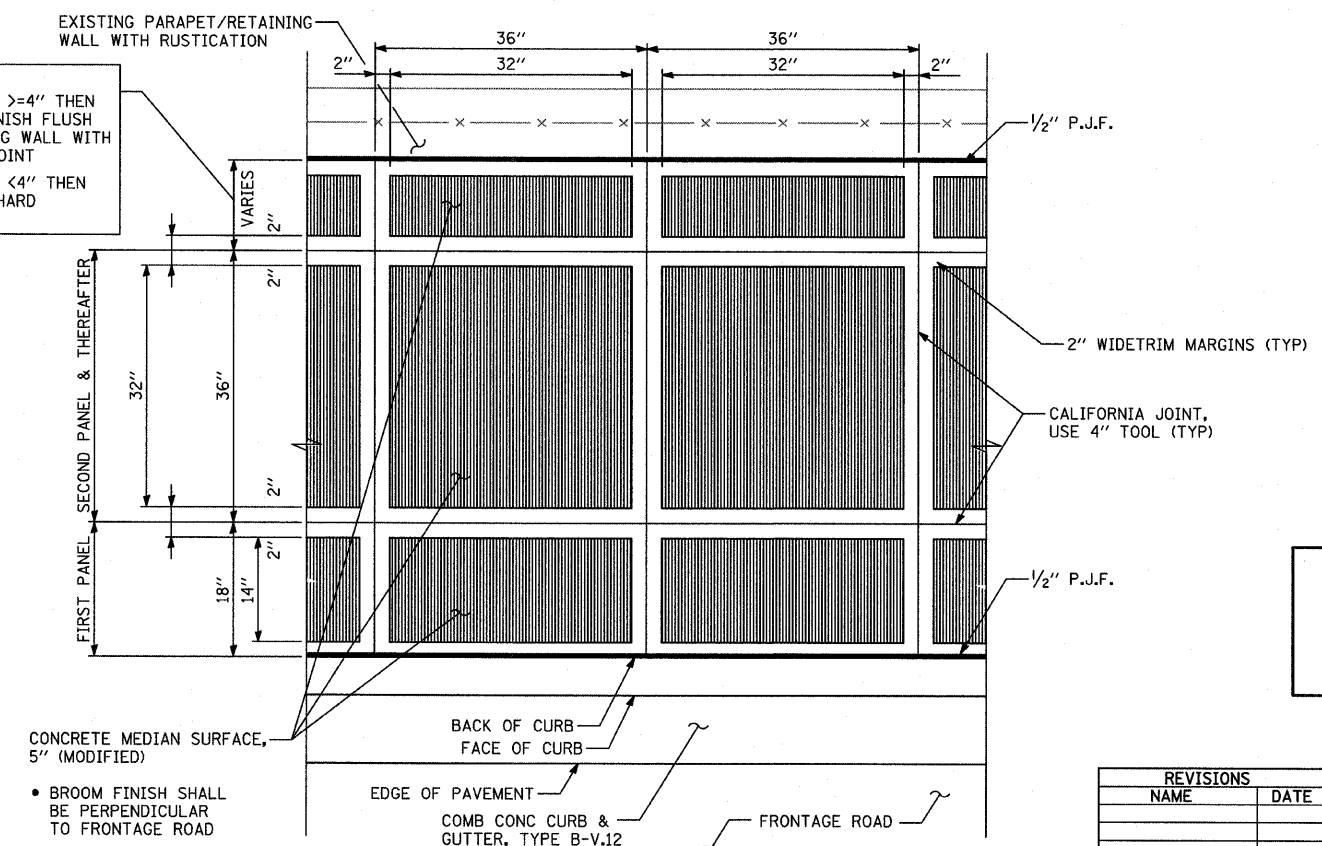
SECTION - CARRIAGE WALK "C"
WIDTH > 18"

VARIES PANEL:
• IF THE WIDTH IS >=4" THEN APPLY BROOM FINISH FLUSH TO THE RETAINING WALL WITH 4" CALIFORNIA JOINT
• IF THE WIDTH IS <4" THEN SURFACE TO BE HARD TROWELLED



PLAN DETAIL "A": COORDINATE WITH CARRIAGE WALK "B"
CALIFORNIA FINISH

VARIES PANEL:
• IF THE WIDTH IS >=4" THEN APPLY BROOM FINISH FLUSH TO THE RETAINING WALL WITH 4" CALIFORNIA JOINT
• IF THE WIDTH IS <4" THEN SURFACE TO BE HARD TROWELLED



PLAN DETAIL "B": COORDINATE WITH CARRIAGE WALK "C"
CALIFORNIA FINISH

NOTE:
NOT ALL ITEMS SHOWN IN THIS DETAIL ARE PROPOSED. SEE PLANS FOR PROPOSED ITEMS.

REVISIONS	
NAME	DATE

ILLINOIS DEPARTMENT OF TRANSPORTATION
F.A.I. 94 (DAN RYAN EXPRESSWAY)
CONCRETE MEDIAN SURFACE, 5" (MODIFIED) WITH CALIFORNIA FINISH DETAIL
SCALE: NONE
DATE: JUNE 20, 2008
DRAWN BY: MGP
CHECKED BY: JPM

TYLIN INTERNATIONAL

6/20/2008 10:27:46 AM P:\02373\road\c22\mc22\cs1033.dgn