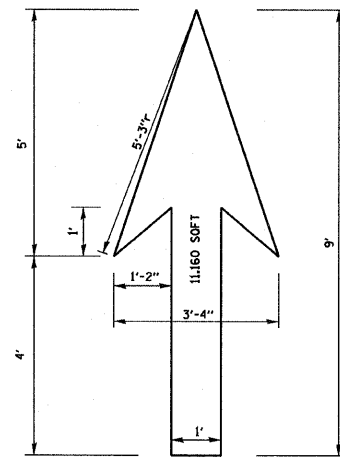


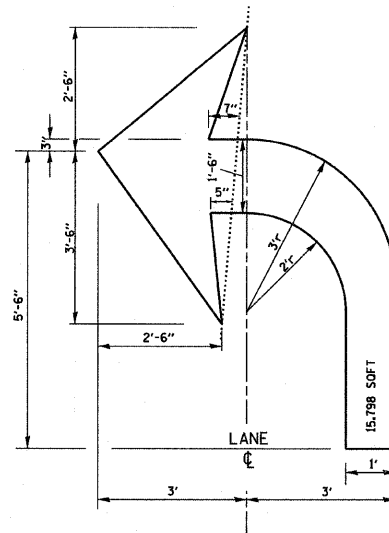
NOTE:
 1.) FOR BIKE LANE SYMBOLS ONLY, USE PRE-FORMED THERMOPLASTIC WITH A MINIMUM THICKNESS OF 90 MILS, MINIMUM SKID RESISTANCE VALUE OF 60 BPN, & A MINIMUM INDEX OF REFRACTION OF 1.50.
 2.) THE RESIDENT ENGINEER SHALL CONTACT MR. BEN COMBERG AT 312-744-8093 AT LEAST ONE CALENDAR WEEK PRIOR TO INSTALLING BIKE LANE SYMBOLS.

TYPICAL BIKE LANE SYMBOLS
 DRAWING #28

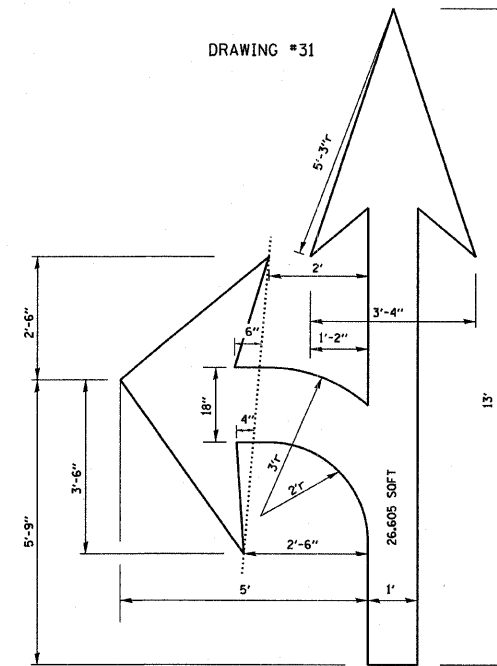
DRAWING #29



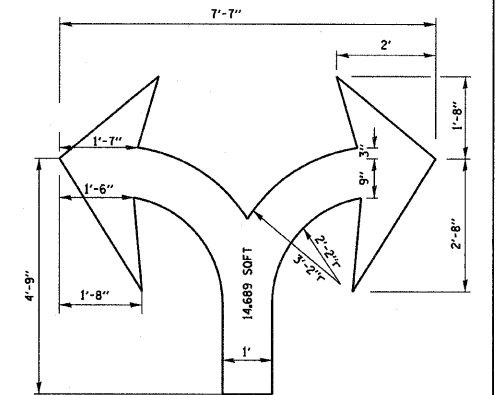
DRAWING #30



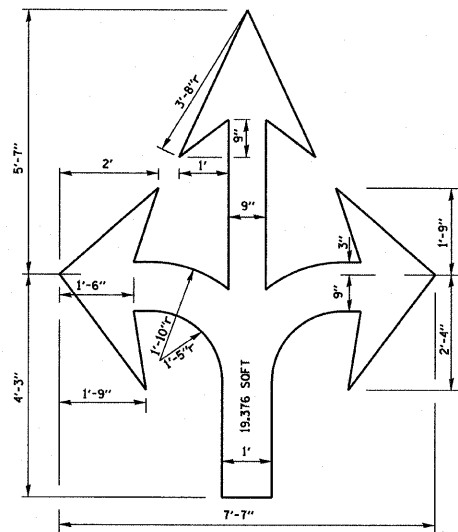
DRAWING #31



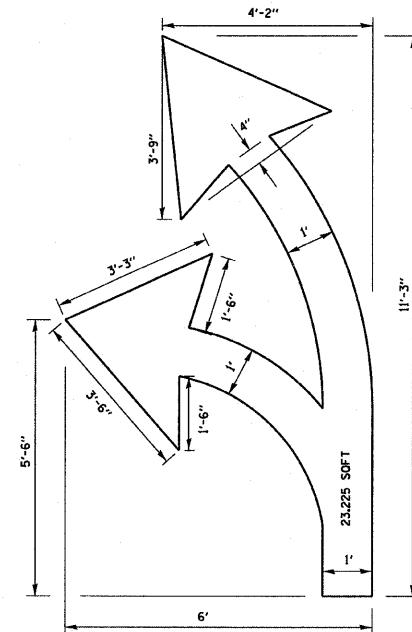
DRAWING #32



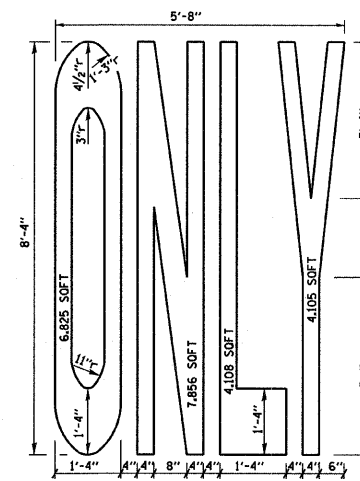
DRAWING #33



DRAWING #34



DRAWING #35



NOTE:
 ALL MARKINGS SHALL BE SOLID WHITE UNLESS OTHERWISE NOTED IN THE PLANS

FILE NAME = W:\diststd\22x34\to24.dgn

USER NAME = goglienobt

DESIGNED -

REVISED - T. RAMMACHER 12-07-00

DRAWN -

REVISED -

PLOT SCALE = 50.000' / IN.

CHECKED -

REVISED -

PLOT DATE = 1/4/2008

DATE -

REVISED -

STATE OF ILLINOIS
 DEPARTMENT OF TRANSPORTATION

CITY OF CHICAGO
 TYPICAL PAVEMENT MARKINGS

SCALE: NONE SHEET NO. 2 OF 2 SHEETS STA. TO STA.

F.A. RTE.	SECTION	COUNTY	TOTAL SHEETS	SHEET NO.
94	2005-068 LS	COOK	58	58
TC-24		CONTRACT NO. 60A74		
FED. ROAD DIST. NO. 1 ILLINOIS FED. AID PROJECT				