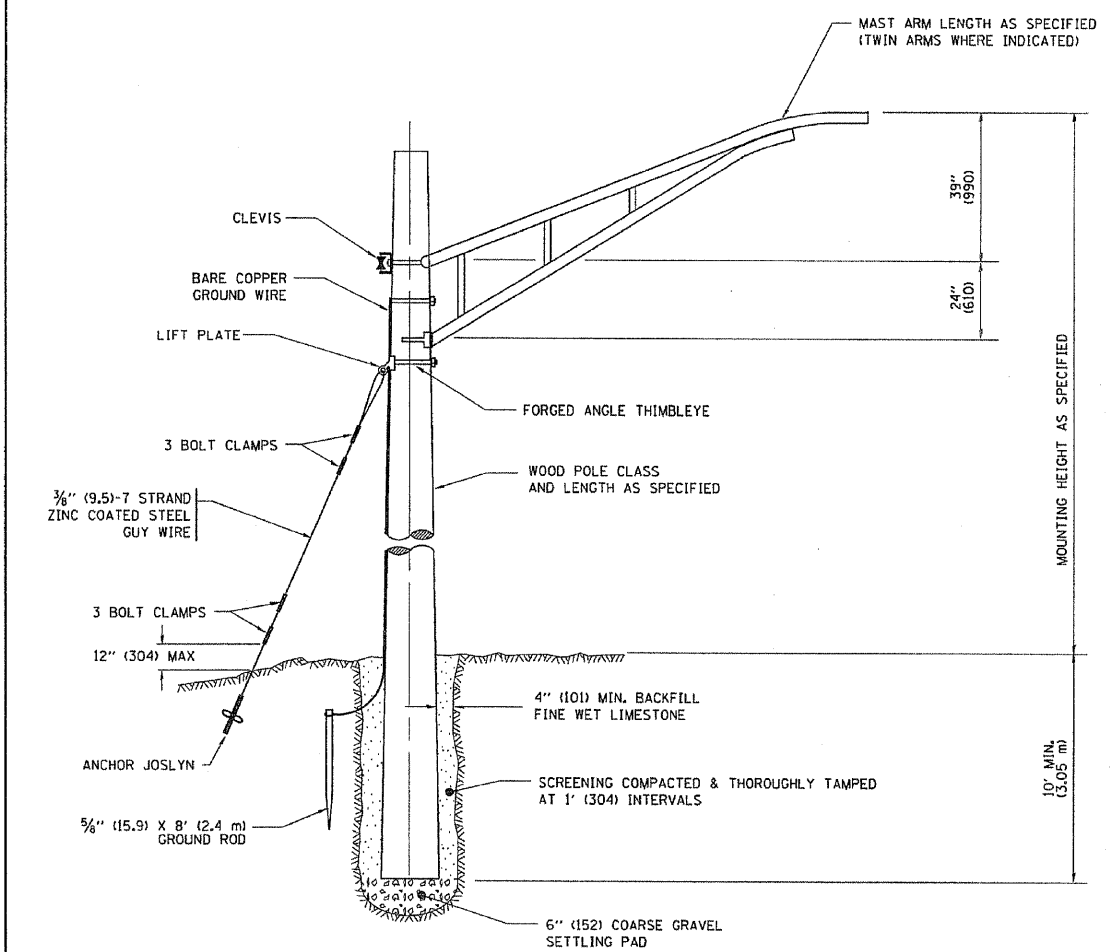
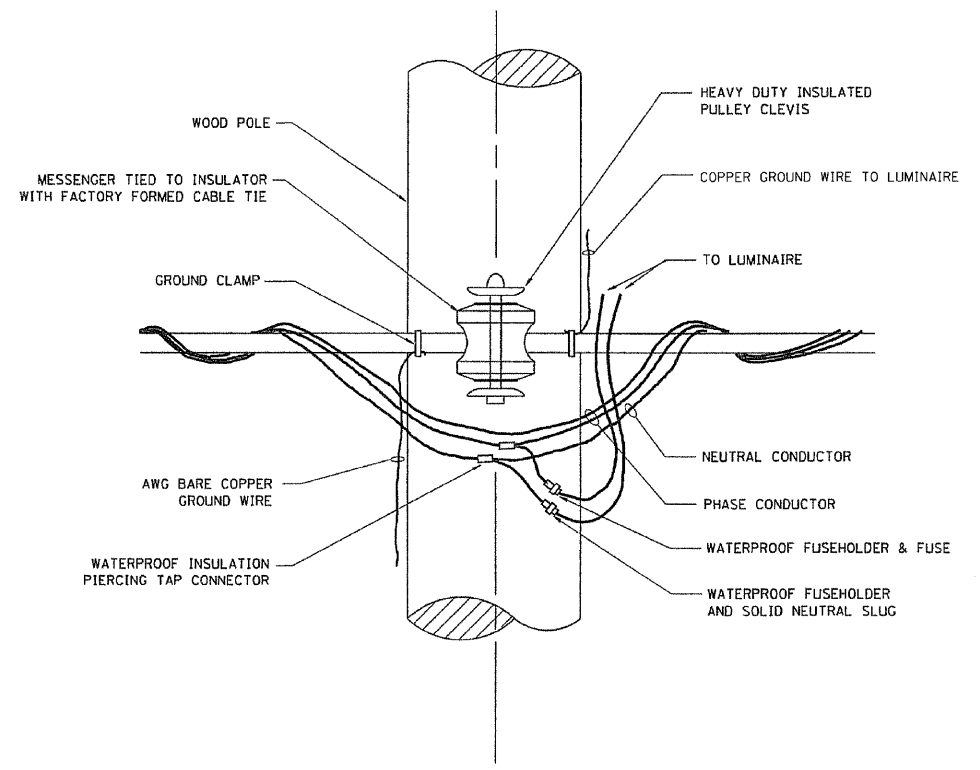


CONTRACT NO.				
F.A. RTE.	SECTION	COUNTY	TOTAL SHEETS	SHEET NO.
STA.	TO STA.			
FED. ROAD DIST. NO.	ILLINOIS FED. AID PROJECT			

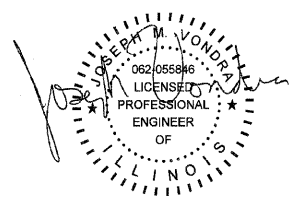


TEMPORARY LIGHT POLE DETAIL

NOTES:
 1. ALL DIMENSIONS IN INCHES (MILLIMETERS) UNLESS OTHERWISE INDICATED



TEMPORARY LIGHT POLE ATTACHMENT DETAIL



DATE: 7/8/2008
 SEAL EXPIRES: 11/30/2009

REVISIONS		ILLINOIS DEPARTMENT OF TRANSPORTATION
NAME	DATE	
	08/08/03	TEMPORARY LIGHT POLE DETAILS SCALE: VERT. NONE HORIZ. DRAWN BY CHECKED BY BE-800

FILE NAME = c:\p\proj\3329\lighting\lighting\3329_23_1.dwg
 PLOT DATE = 4/10/07
 FILE NAME = K:\projects\3329\lighting\3329_23_1.dwg
 PLOT SCALE = 1/8" = 1' IN.
 USER NAME = bward

Ciorba Group, Inc.
 CONSULTING ENGINEERS
 5507 North Cumberland Avenue, Suite 402
 Chicago, Illinois 60656
 Tel. 773.775.4009 Fax 773.775.4014

USER NAME = wlancoaster	DESIGNED - JMV	REVISED -
PLOT SCALE = 1/8" = 1' IN.	DRAWN - MB	REVISED -
PLOT DATE = 7/8/2008	CHECKED - JMV	REVISED -
	DATE - 07/09/2008	REVISED -

STATE OF ILLINOIS
 DEPARTMENT OF TRANSPORTATION

FAP 852 /US ROUTE 52 OVER FORKED CREEK TEMPORARY LIGHTING DETAILS		
SCALE: NONE	SHEET NO. 3 OF 4 SHEETS	STA. TO STA.

F.A.P. RTE.	SECTION	COUNTY	TOTAL SHEETS	SHEET NO.
852	18B	WILL	31	14
CONTRACT NO. 60DB7				
FED. ROAD DIST. NO. ILLINOIS FED. AID PROJECT				