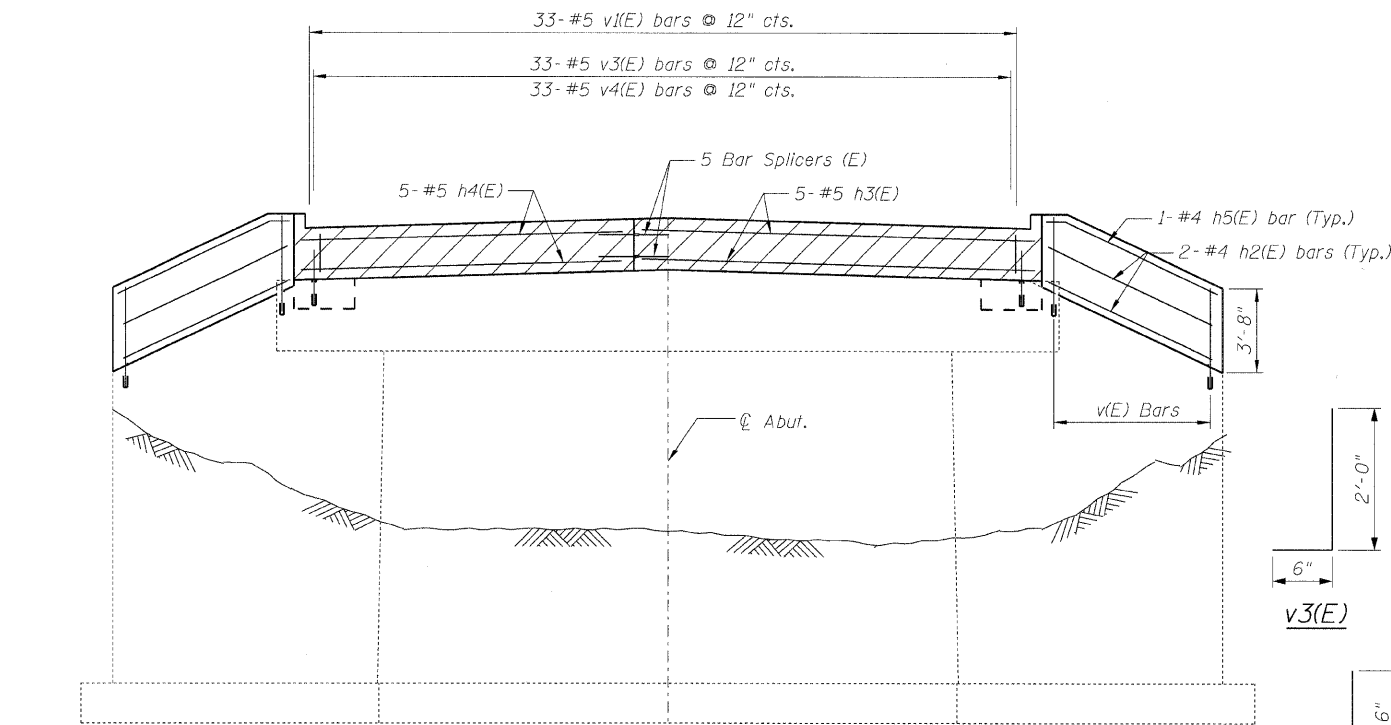
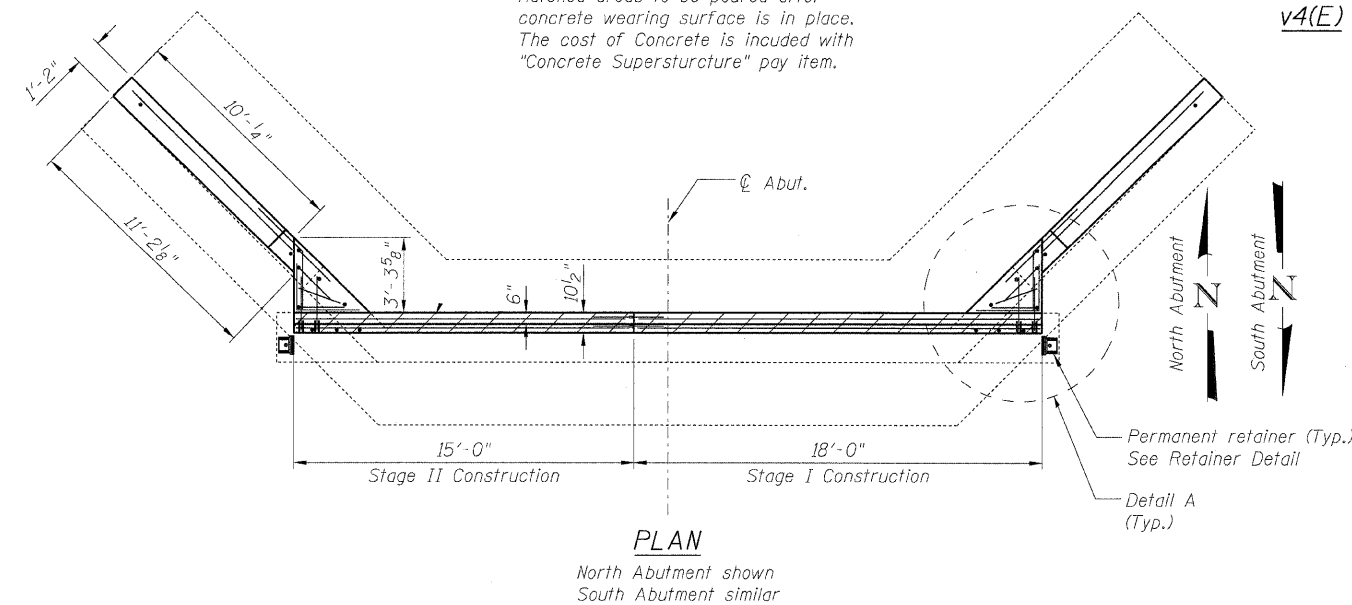


STATE OF ILLINOIS
DEPARTMENT OF TRANSPORTATION



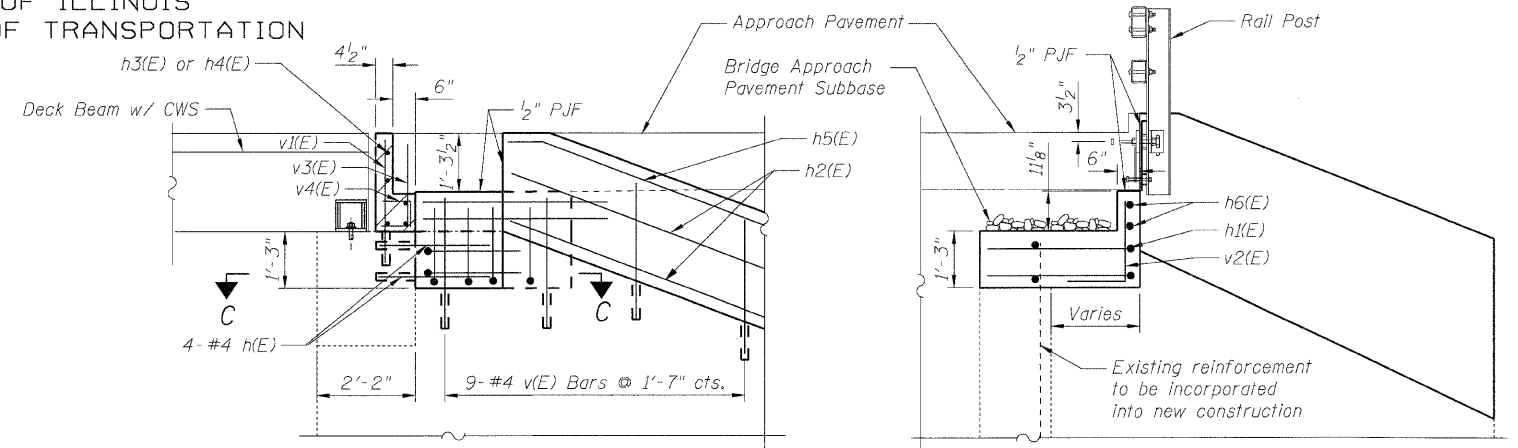
ELEVATION

Hatched areas to be poured after concrete wearing surface is in place. The cost of Concrete is included with "Concrete Superstructure" pay item.



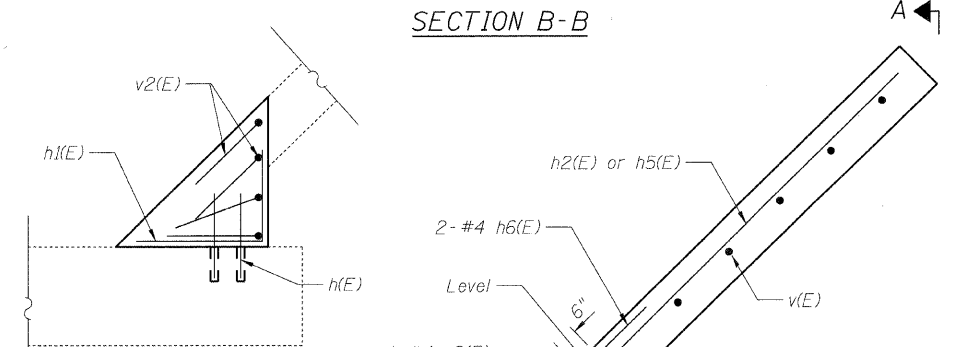
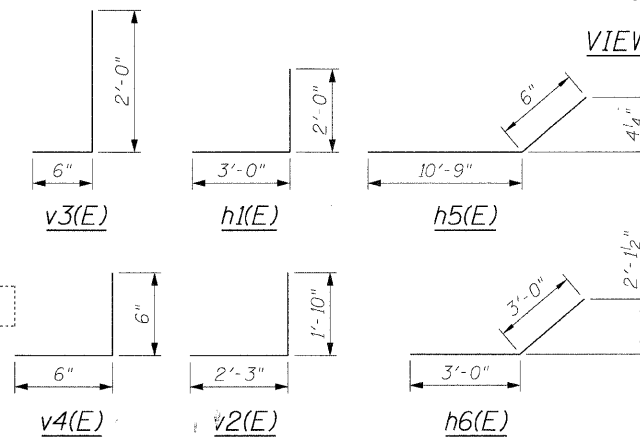
PLAN

North Abutment shown
South Abutment similar



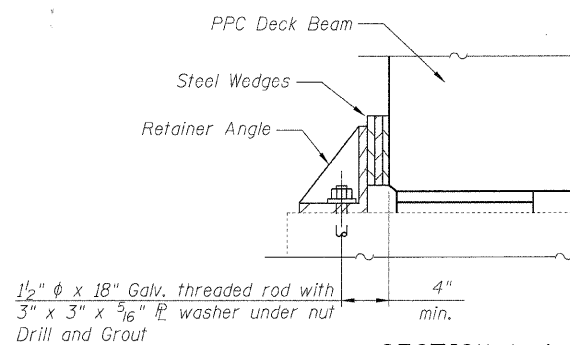
VIEW A-A

SECTION B-B



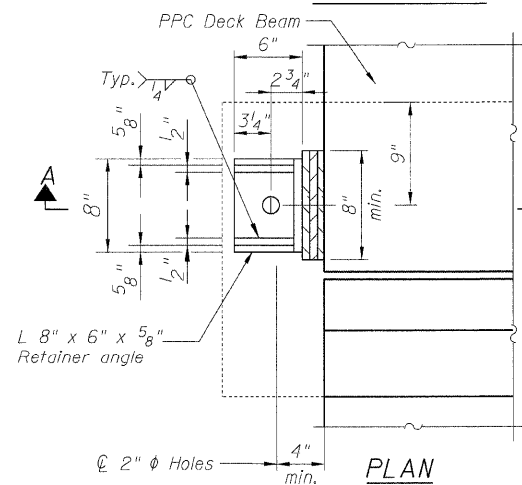
SECTION C-C

DETAIL A



SECTION A-A

1/2" ϕ x 18" Galv. threaded rod with
3" x 3" x 3/16" P washer under nut
Drill and Grout



PLAN

RETAINER DETAIL

Cost of retainer and accessories are included with Precast Prestressed Concrete Deck Beams.

BILL OF MATERIAL

Bar	No.	Size	Length	Shape
h1(E)	16	#4	2'-9"	—
h2(E)	8	#4	5'-0"	—
h3(E)	10	#5	17'-8"	—
h4(E)	10	#5	14'-8"	—
h5(E)	4	#4	11'-3"	—
h6(E)	8	#4	6'-0"	—
v(E)	36	#4	3'-10"	—
v1(E)	66	#5	1'-10"	—
v2(E)	16	#4	4'-1"	—
v3(E)	66	#5	2'-6"	—
v4(E)	66	#5	1'-0"	—
Concrete Structures			Cu. Yd.	6.8
Concrete Superstructures			Cu. Yd.	3.1
Reinforcement Bars, Epoxy Coated			Lb.	1,020
Bar Splicers			Each	10

**NORTH AND SOUTH
ABUTMENTS**
US 52 OVER FORKED CREEK
STA. 65+70
S.N. 099-0133

DESIGNED	B. Sauter
CHECKED	E. Mroczek
DRAWN	R. Danley
CHECKED	B. Sauter

CG Ciorba Group, Inc.
CONSULTING ENGINEERS
5507 North Cumberland Avenue, Suite 402 Chicago, Illinois 60656
Tel. 773.775.4009 Fax 773.775.4014 Email chicago@ciorba.com

NOTES:

1. Drill and grout h(E) and v(E) bars 9" min., and v(E) bars 12" min. in accordance with Article 584 of the Standard Specifications. Cost included with "Reinforcement Bars, Epoxy Coated."
2. For rail anchorage details See Sheet S-8.
3. For rail post location, See Sheet S-6.
4. For typical section thru Abutment, See Sheet S-7.

SHEET NO. S-10	F.A.P RTE.	SECTION	COUNTY	TOTAL SHEETS	SHEET NO.
	852	18B	WILL	31	25
S-13 SHEETS		CONTRACT NO. 60DB7			
FED. ROAD DIST. NO.		ILLINOIS	FED. AID PROJECT		

rdanley

7/8/2008

nt:\pro\13329_23\design\structural\ced\sh\13329_23_10_Abutments2.dwg