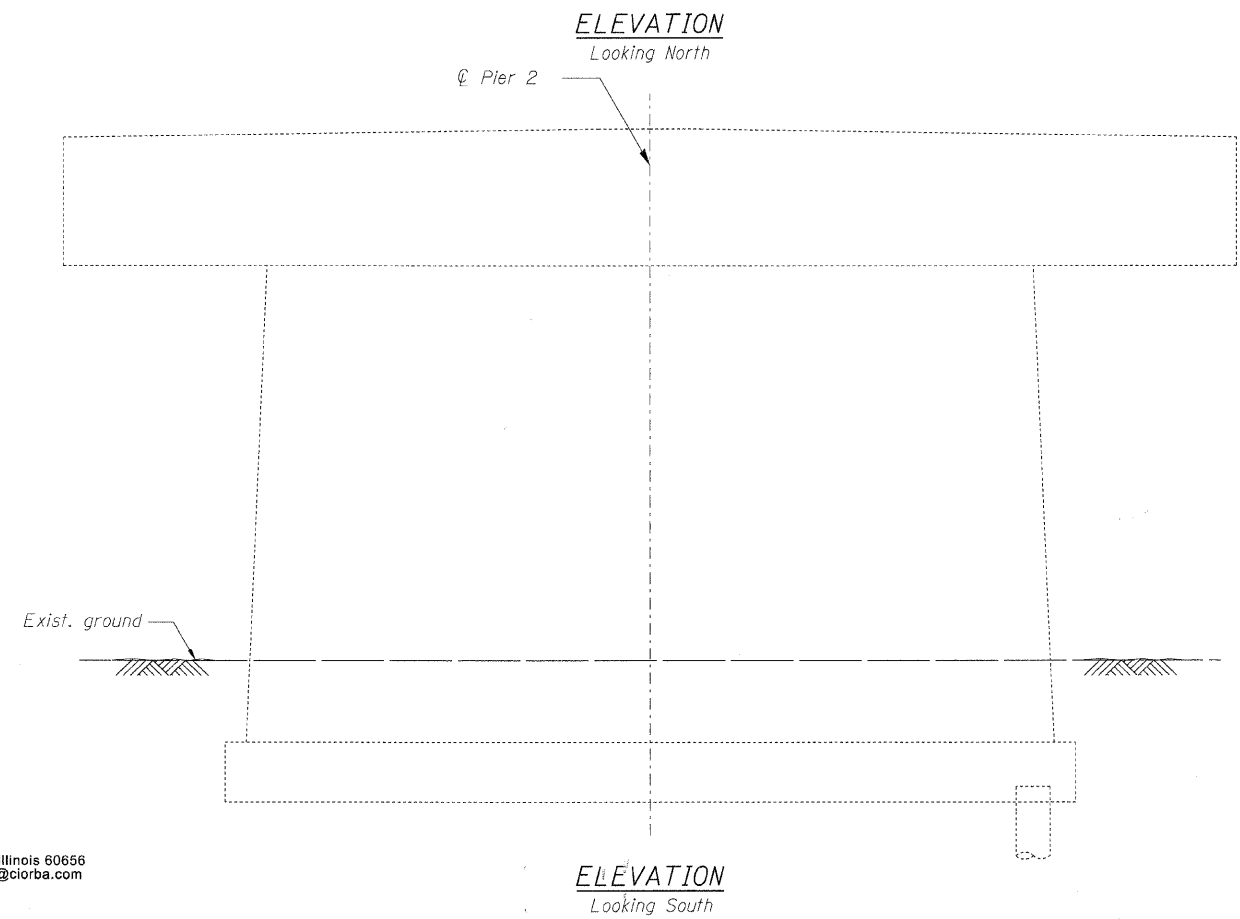
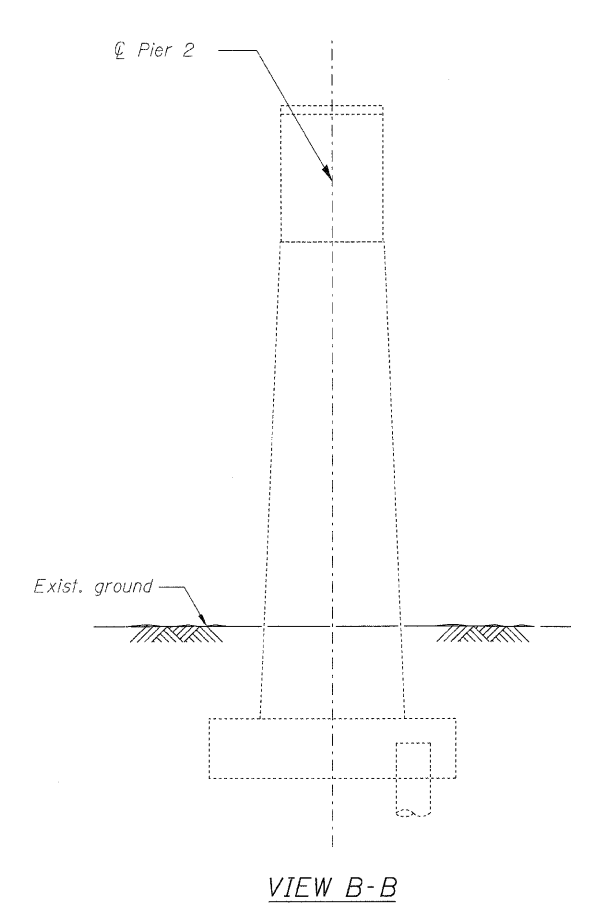
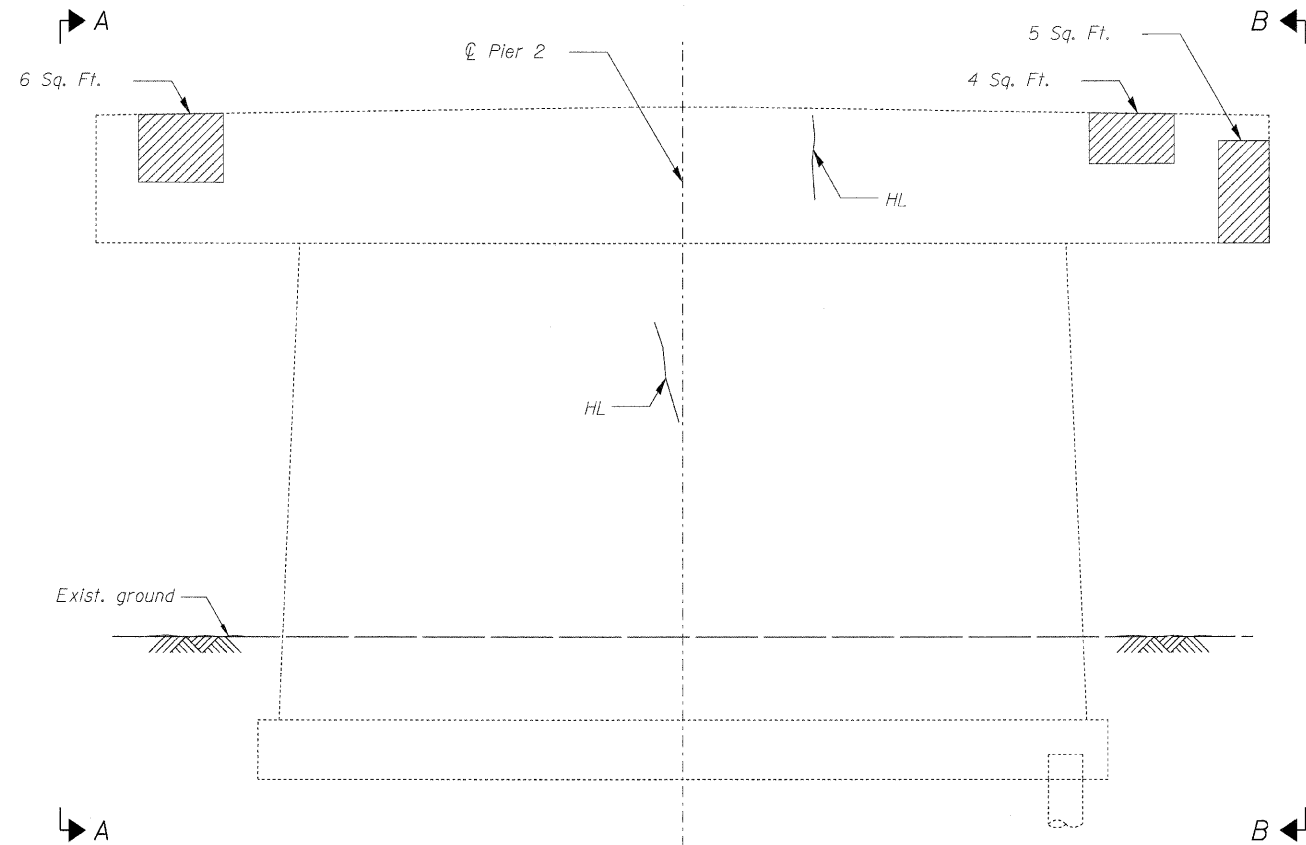
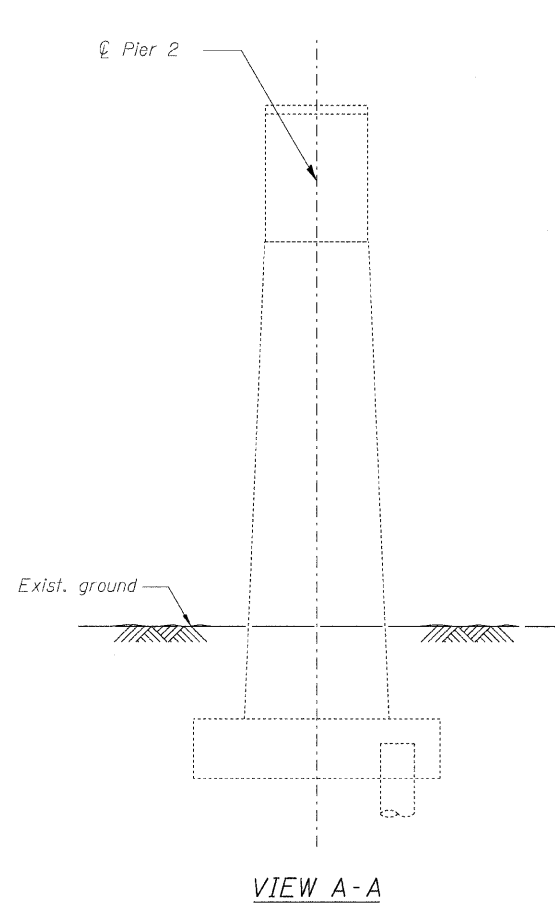


STATE OF ILLINOIS  
DEPARTMENT OF TRANSPORTATION



**BILL OF MATERIAL**

Item	Unit	Quantity
Structural Repair of Concrete (Depth Equal to or Less than 5")	Sq. Ft.	15

**LEGEND**

	Structural Repair of Concrete (< 5")
	Hairline Crack

**PIER 2**  
**US 52 OVER FORKED CREEK**  
**STA. 65+70**  
**S.N. 099-0133**

DESIGNED	B. Sauter
CHECKED	E. Mroczek
DRAWN	R. Danley
CHECKED	B. Sauter

**Giorba Group, Inc.**  
**CONSULTING ENGINEERS**  
5507 North Cumberland Avenue, Suite 402 Chicago, Illinois 60656  
Tel. 773.775.4009 Fax 773.775.4014 Email chicago@giorba.com

SHEET NO. S-12	F.A.P. RTE.	SECTION	COUNTY	TOTAL SHEETS	SHEET NO.
	852	18B	WILL	31	27
S-13 SHEETS		CONTRACT NO. 60D87			
FED. ROAD DIST. NO.		ILLINOIS FED. AID PROJECT			

7/6/2008 rdanley