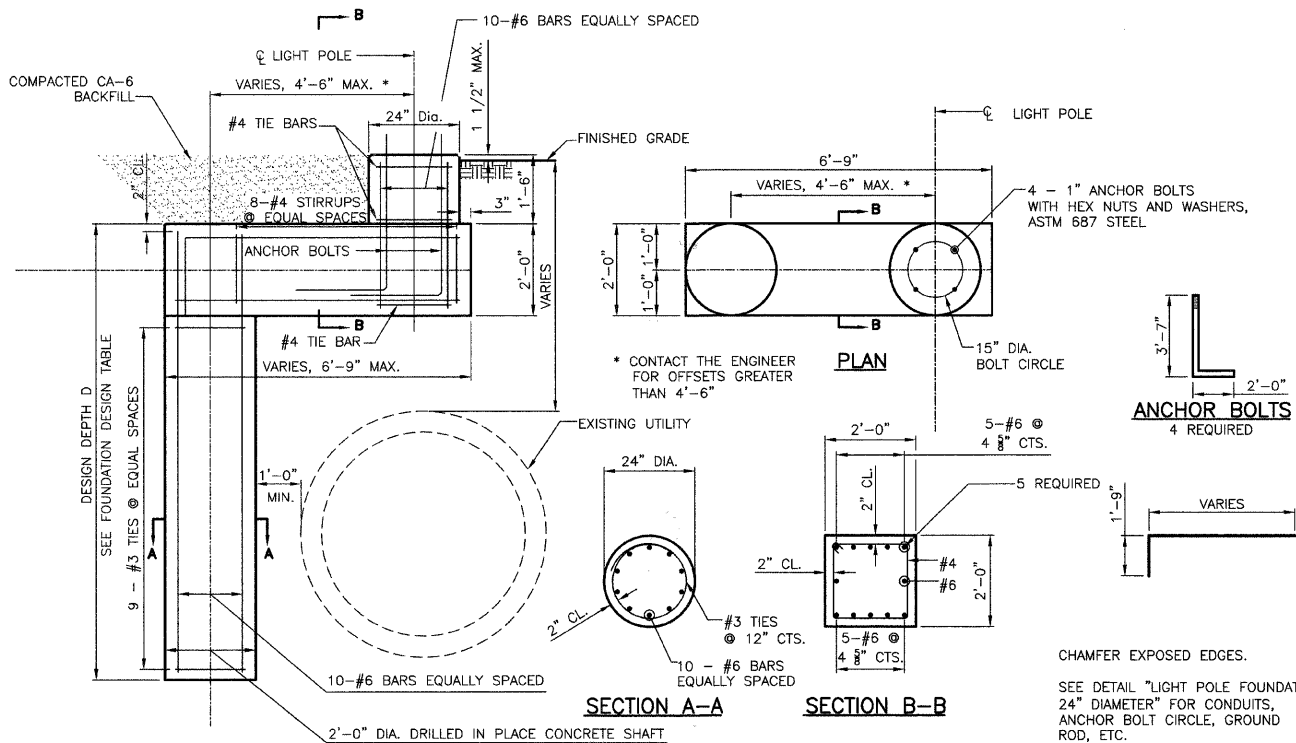
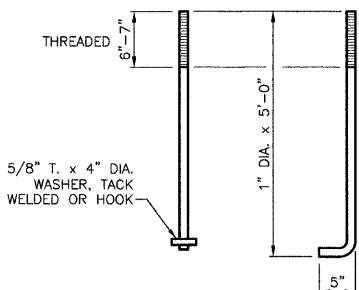
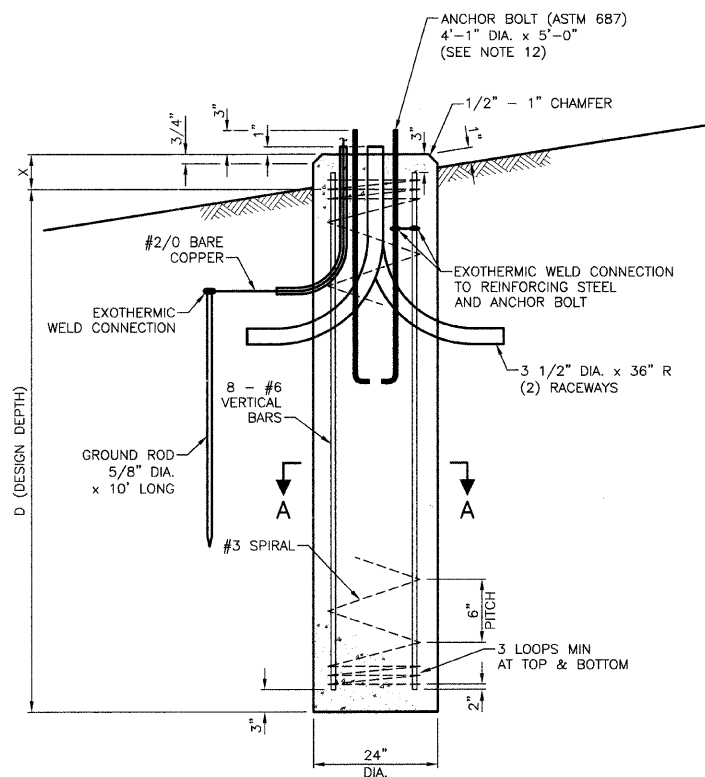
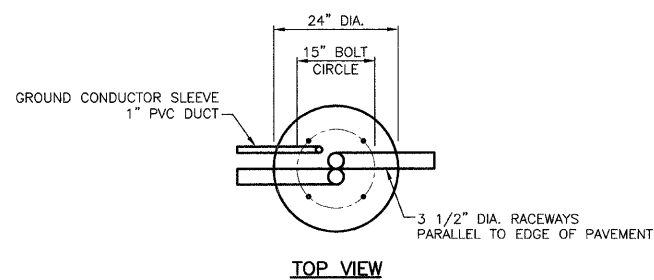


SECTION	COUNTY	TOTAL SHEETS	SHEET NO.
08-00053-00-LT	COOK/DUPAGE	15	14
ILLINOIS ROUTE 83 (BUSSE ROAD)			
LIGHTING DETAILS			



**LIGHT POLE FOUNDATION, 24" DIAMETER, OFFSET**

**DESIGN TABLE LIGHT POLE FOUNDATION, 24" DIAMETER, OFFSET**

TYPE OF SOIL	DESIGN DEPTH OF FOUNDATION D
SOFT CLAY	13'-0"
MEDIUM CLAY	9'-6"
STIFF CLAY	7'-0"
LOOSE SAND	9'-0"
MEDIUM SAND	8'-3"
DENSE SAND	7'-9"

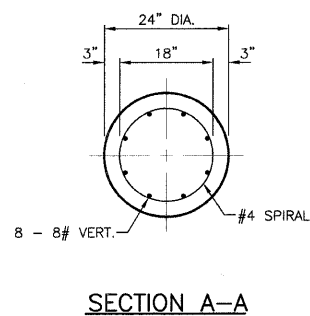
STRUCTURAL SEAL TO BE ADDED @ TIME OF FINAL SUBMITTAL

**NOTES:**

1. THE ENGINEER SHALL DETERMINE THE CLASS OF SOIL DURING EXCAVATION AND SELECT THE DESIGN DEPTH OF FOUNDATION FROM THE DESIGN TABLE. THE CONTRACTOR SHALL NOT ORDER REINFORCEMENT BARS UNTIL THE OFFSET AND DIMENSION D ARE DETERMINED.
2. EXCAVATION OF THE POLE FOUNDATION SHALL BE MADE WITH AN AUGER, 24" OR 30" IN DIAMETER.
3. THE CONTRACTOR SHALL USE #3 SPIRAL AT 6" PITCH OR AT HIS OPTION MAY SUBSTITUTE #3 TIES AT 12" CENTER.
4. THE ANCHOR SHALL BE A TACK WELDED TYPE BOLT OR HOOK TYPE BOLT. COLD BENDING OF THE HOOK BOLT WILL NOT BE ALLOWED.
5. THE ANCHOR BOLTS AND RACEWAYS SHALL BE PROPERLY SECURED IN PLACE BEFORE THE CONCRETE IS PLACED IN THE FORM.
6. THE ENTIRE LENGTH OF THE ANCHOR BOLTS AS WELL AS THE NUTS AND WASHERS SHALL BE HOT DIP GALVANIZED IN ACCORDANCE WITH THE REQUIREMENTS OF ASTM DESIGNATION A 153.
7. CONCRETE SHALL BE CLASS "SI". CONCRETE FOUNDATION MUST BE CURED FOR (10) TEN DAYS BEFORE THE LIGHT STANDARD IS ERECTED.
8. THE CABLE TRENCH SHALL BE BACKFILLED AND FIRMLY COMPACTED BEFORE THE LIGHT IS ERECTED.
9. ANCHOR BOLTS SHALL PROJECT 3" ABOVE THE TOP OF THE FOUNDATION.
10. RACEWAYS SHALL PROJECT 1" ABOVE THE TOP OF THE FOUNDATION.
11. THE CONTRACTOR SHALL COORDINATE THE EXTENSION OF ANCHOR BOLTS ABOVE TOP OF FOUNDATION WITH THE BREAKAWAY DEVICE MANUFACTURER'S REQUIREMENTS.
12. A MINIMUM OF 3" OF THE THREADING ON THE ANCHOR BOLTS SHALL REMAIN BELOW THE TOP OF THE FOUNDATION.

**DESIGN TABLE - LIGHT POLE FOUNDATION, 24" DIAMETER**

TYPE OF SOIL	DESIGN DEPTH OF FOUNDATION		REINFORCEMENT IN FOUNDATION			
	SINGLE ARM D	TWIN ARM D	SINGLE ARM		TWIN ARM	
			VERT. BARS	SPIRAL	VERT. BARS	SPIRAL
SOFT CLAY	13'-0"	15'-0"	8-#6 x 12'-6"	#3 x 122'	8-#6 x 14'-3"	#3 x 141'
MEDIUM CLAY	9'-6"	10'-9"	8-#6 x 9'-0"	#3 x 90'	8-#6 x 10'-0"	#3 x 100'
STIFF CLAY	7'-0"	8'-0"	8-#6 x 6'-6"	#3 x 66'	8-#6 x 7'-6"	#3 x 76'
LOOSE SAND	10'-0"	11'-0"	8-#6 x 9'-6"	#3 x 94'	8-#6 x 10'-6"	#3 x 103'
MEDIUM SAND	8'-3"	9'-0"	8-#6 x 8'-0"	#3 x 78'	8-#6 x 8'-6"	#3 x 85'
DENSE SAND	7'-9"	9'-0"	8-#6 x 7'-6"	#3 x 73'	8-#6 x 8'-6"	#3 x 85'
ROCK OR SOLIDIFIED SLAG	5'-0"	5'-0"	NONE	NONE	NONE	NONE



**LIGHT POLE FOUNDATION, 24" DIAMETER**

REVISIONS		ILLINOIS DEPARTMENT OF TRANSPORTATION ILLINOIS ROUTE 83 ROADWAY LIGHTING LIGHTING DETAILS  ILLINOIS ROUTE 83 (BUSSE ROAD)
NAME	DATE	

DATE: 05/14/2008  
CHECKED BY: D.N.M.