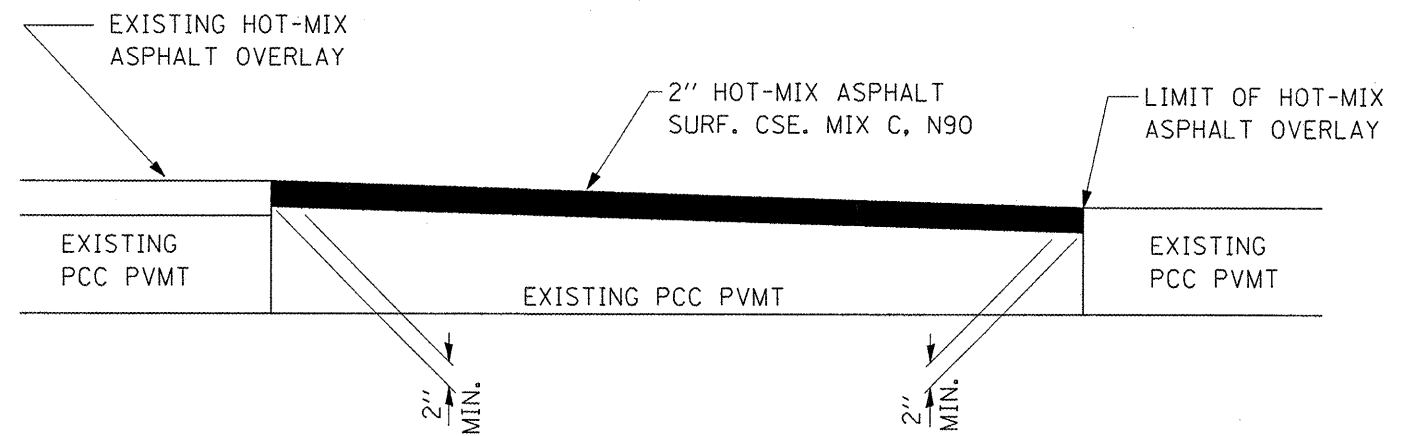
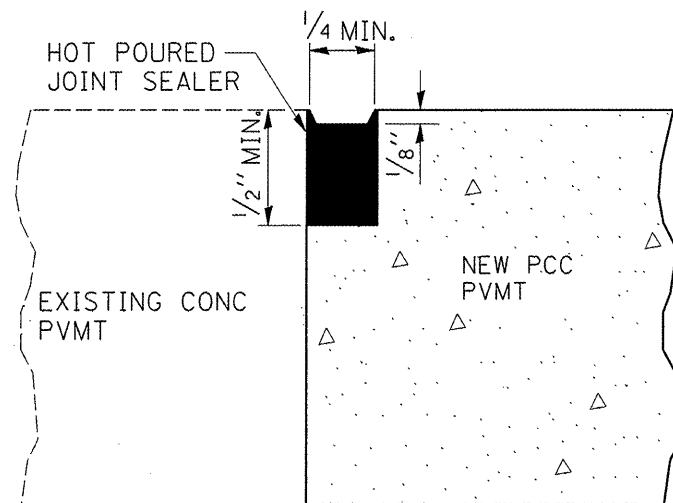


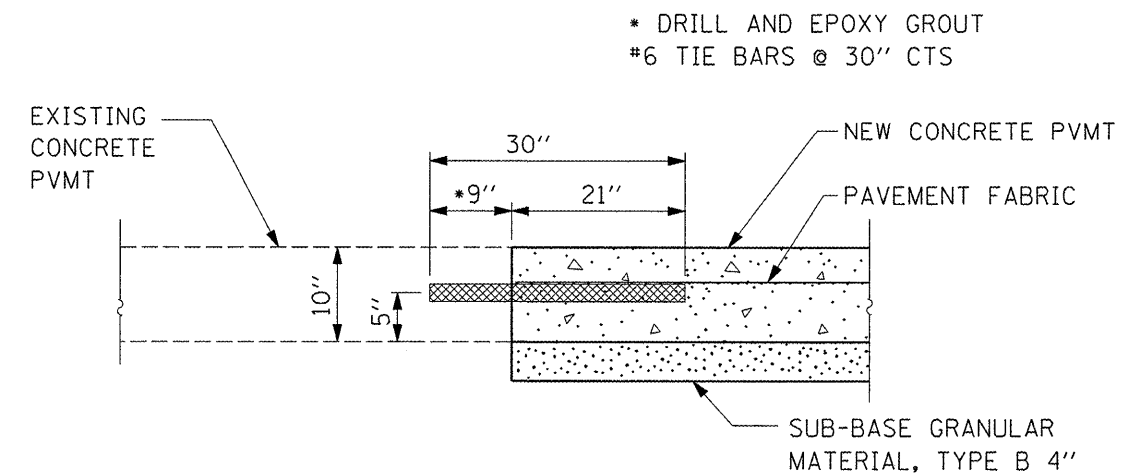
EXISTING PAVEMENT DETAIL



PROPOSED PAVEMENT DETAIL



SAWED JOINT DETAIL



WIDENING CROSS SECTION

FILE NAME = c:\projects\main09\cm312\details.dgn	USER NAME = carpentardj	DESIGNED - Ron Woodshank	REVISED -
		DRAWN - Ron Woodshank	REVISED -
		CHECKED -	REVISED -
		DATE -	REVISED -

**STATE OF ILLINOIS
DEPARTMENT OF TRANSPORTATION**

PAVEMENT DETAILS

SCALE: SHEET NO. 3 OF 3 SHEETS STA. TO STA.

* TRUCK WEIGH STATION #17 (1-1)

F.A.P. RTE. 317	SECTION •	COUNTY IROQUOIS	TOTAL SHEETS 19	SHEET NO. 15
FED. ROAD DIST. NO. ILLINOIS			CONTRACT NO. 66849	